



US00D500843S

(12) **United States Design Patent**
Takou

(10) **Patent No.:** **US D500,843 S**

(45) **Date of Patent:** **** Jan. 11, 2005**

(54) **PEDESTAL SINK**

(75) Inventor: **Hiroataka Takou**, Kawasaki (JP)

(73) Assignee: **Toto Ltd.**, Kitakyushu (JP)

(**) Term: **14 Years**

(21) Appl. No.: **29/200,124**

(22) Filed: **Feb. 25, 2004**

(51) **LOC (7) Cl.** **23-02**

(52) **U.S. Cl.** **D23/292**

(58) **Field of Search** D23/270-273,
D23/284-286, 292-293.1, 303, 308; 4/662-664,
619, 638, 643, 661

(56) **References Cited**

U.S. PATENT DOCUMENTS

D422,347 S * 4/2000 Kawamura D23/292

* cited by examiner

Primary Examiner—Robert A. Delehanty

(74) *Attorney, Agent, or Firm*—Birch, Stewart, Kolasch & Birch, LLP

(57) **CLAIM**

The ornamental design for a pedestal sink, shown and described.

DESCRIPTION

FIG. 1 is a perspective view of the front, top and left side of a pedestal sink showing my new design;

FIG. 2 is a front view thereof;

FIG. 3 is a rear view thereof;

FIG. 4 is a right side view thereof;

FIG. 5 is a top plan view thereof; and,

FIG. 6 is a bottom view thereof.

The broken line showing of a rear portion of the sink is for illustrative purposes only and forms no part of the claimed design.

1 Claim, 6 Drawing Sheets

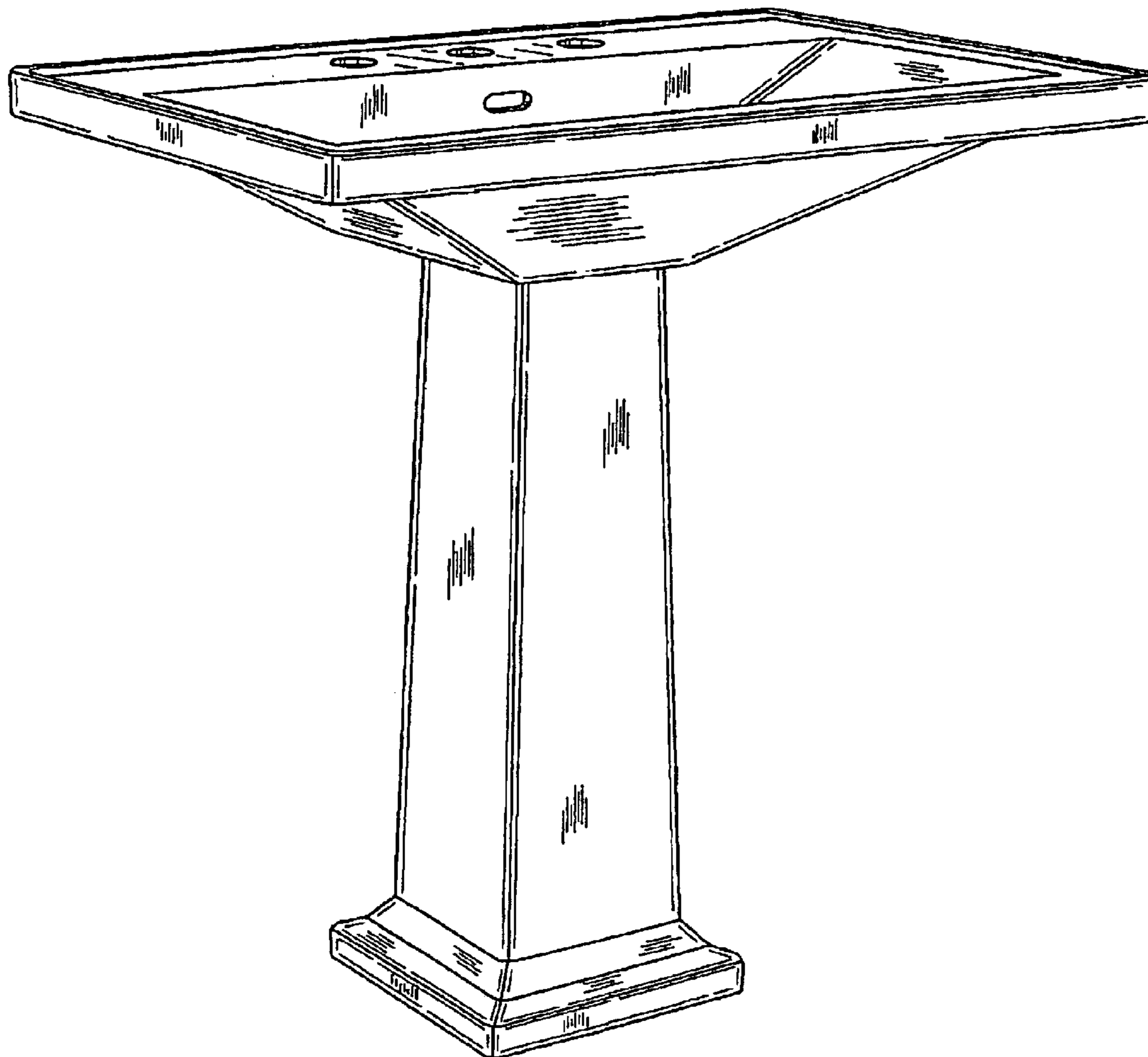


FIG. 1

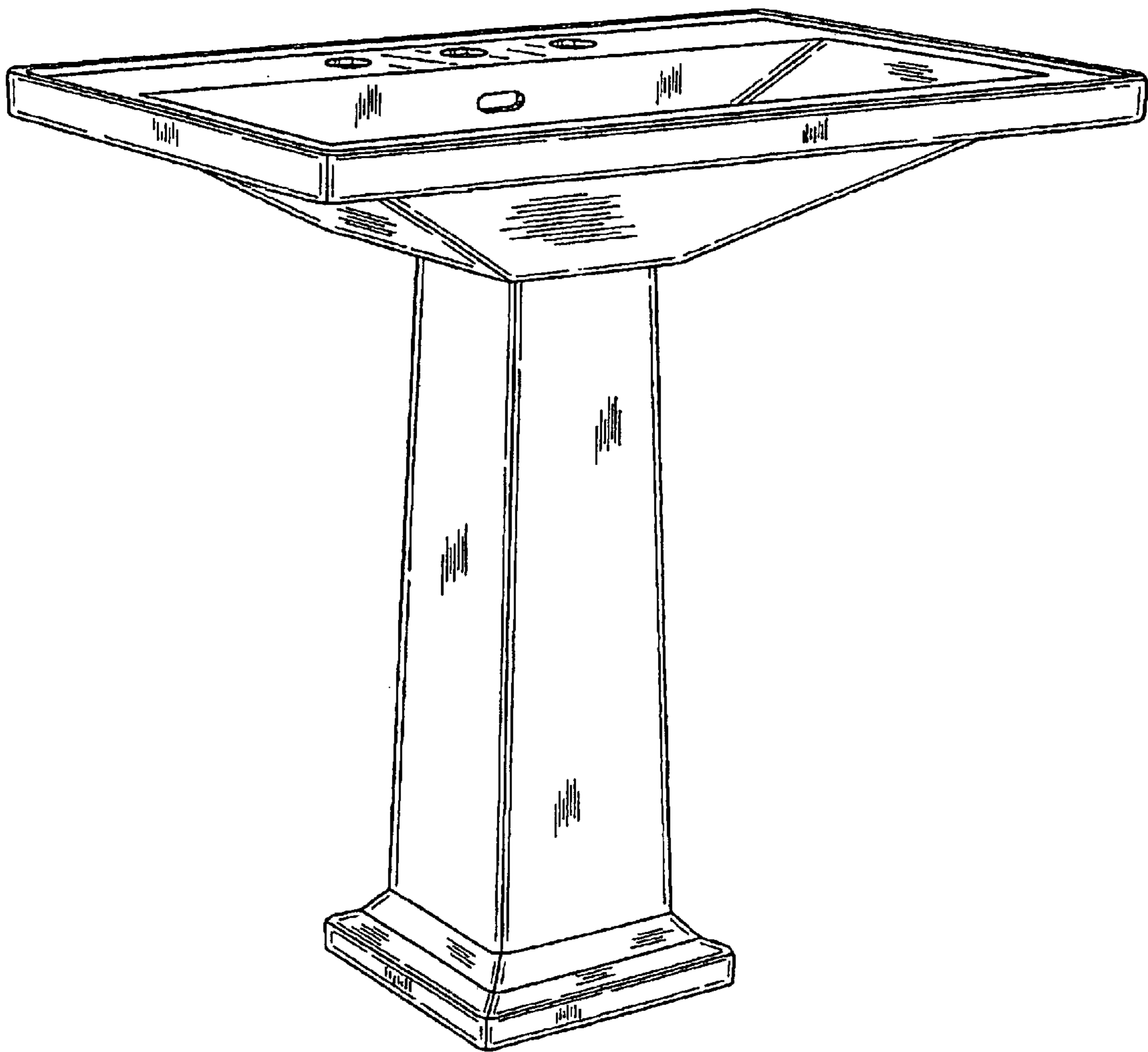


FIG. 2

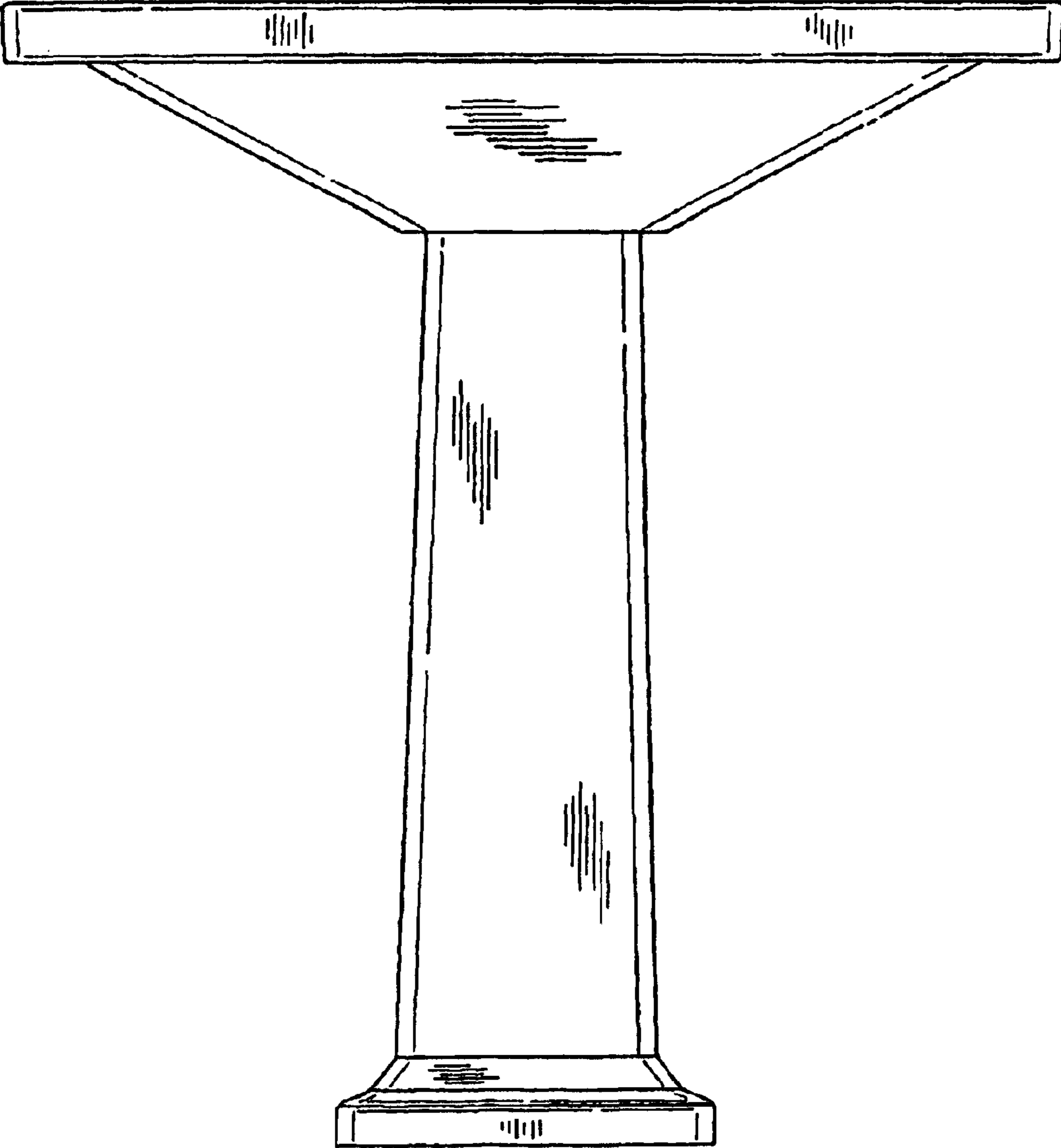


FIG. 3

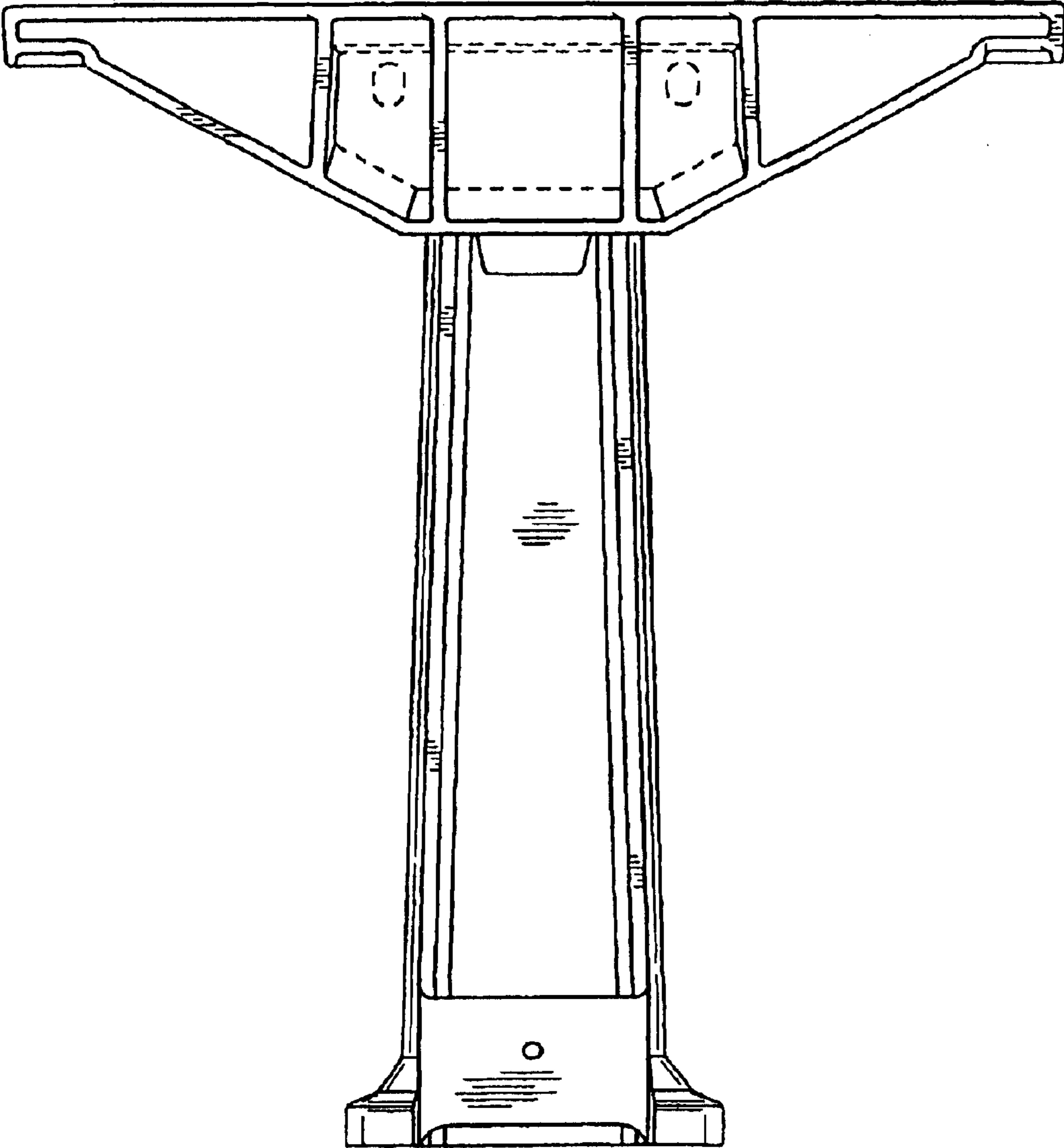


FIG. 4

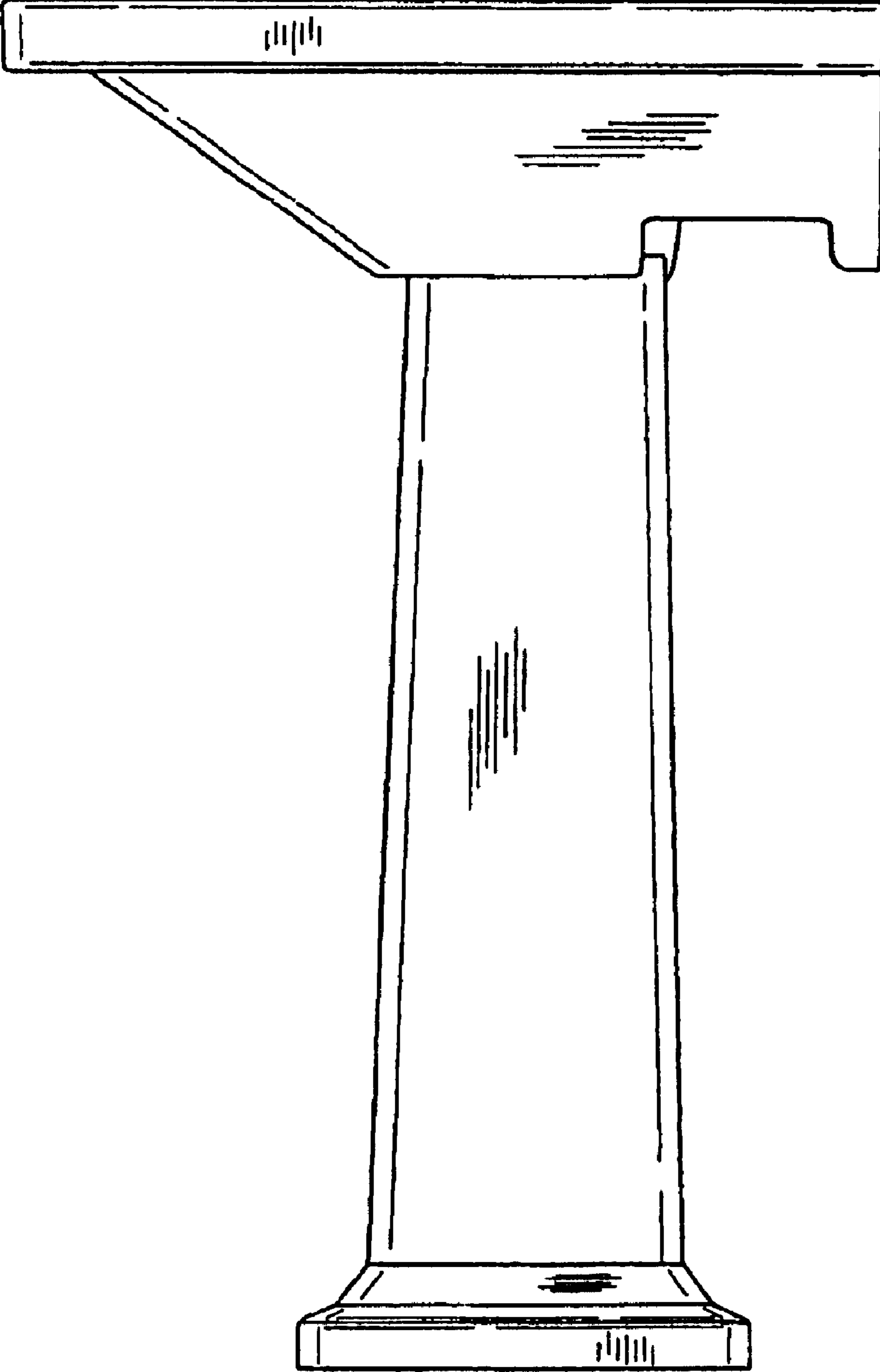


FIG. 5

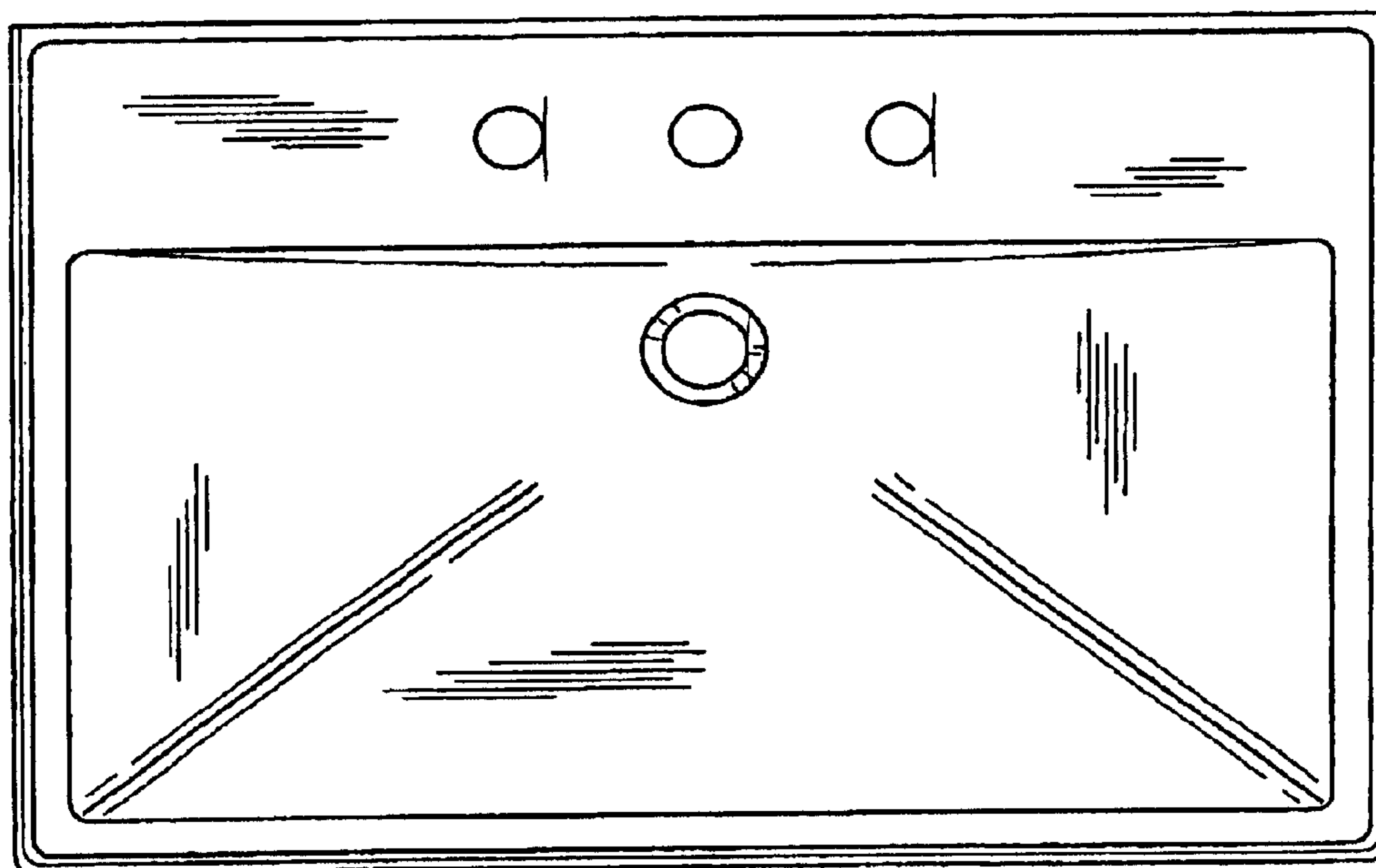


FIG. 6

