

US00D500842S

(12) **United States Design Patent**  
**Croft**

(10) **Patent No.:** **US D500,842 S**  
(45) **Date of Patent:** **\*\* Jan. 11, 2005**

(54) **MANUAL VALVE ACTUATOR WITH CAM**

(75) **Inventor:** **David D. Croft**, Copley, OH (US)

(73) **Assignee:** **Swagelok Company**, Solon, OH (US)

(\*\*) **Term:** **14 Years**

(21) **Appl. No.:** **29/161,578**

(22) **Filed:** **May 31, 2002**

(51) **LOC (7) Cl.** ..... **23-01**

(52) **U.S. Cl.** ..... **D23/245**

(58) **Field of Search** ..... D23/233-237,  
D23/244-249; 137/116.5, 505, 505.42,  
519.5, 522, 460; 251/1-9, 288-319, 337,  
322-325, 902, 904

(56) **References Cited**

**U.S. PATENT DOCUMENTS**

2,064,751 A	12/1936	Hussman	
3,036,375 A	5/1962	Schlosser, Jr. et al.	
3,493,201 A	2/1970	Marran	
D218,306 S	* 8/1970	Krels	..... D23/245
3,754,843 A	8/1973	Dernedde et al.	
4,354,655 A	10/1982	Hengst	
4,502,656 A	3/1985	Zeitler	
4,611,484 A	9/1986	MacKissinger, Jr. et al.	
4,624,443 A	11/1986	Eidsmore	
4,734,016 A	3/1988	Sailer	
4,735,558 A	4/1988	Kienholz et al.	
4,755,109 A	7/1988	Botts	
4,776,554 A	10/1988	Shekita et al.	
4,917,581 A	4/1990	Richardson, Jr. et al.	
4,946,351 A	8/1990	Richardson, Jr.	
D317,494 S	* 6/1991	Miyake et al.	..... D23/235
D318,713 S	* 7/1991	Miyake et al.	..... D23/235
5,044,526 A	9/1991	Sasaki et al.	
5,044,883 A	9/1991	Neueder	

5,380,173 A	1/1995	Hellstrom	
5,449,145 A	9/1995	Wortrich	
5,452,741 A	* 9/1995	Tomita et al.	..... 137/505.26
5,484,340 A	1/1996	Campbell et al.	
5,533,874 A	7/1996	Hauser	
D373,176 S	* 8/1996	Booth et al.	..... D23/233
D399,922 S	* 10/1998	Uehara	..... D23/235
D416,076 S	* 11/1999	Okitsu	..... D23/235
D463,011 S	* 9/2002	Hirose et al.	..... D23/245

**OTHER PUBLICATIONS**

Entegris Brochure, Entegris, Inc., Jan. 2000.  
Advance Sav Series Catalog, Advance Electric Company, Inc.  
CKD Catalog, CKD Corporation.

\* cited by examiner

*Primary Examiner*—Nelson C. Holtje  
(74) *Attorney, Agent, or Firm*—Calfee, Halter & Griswold LLP

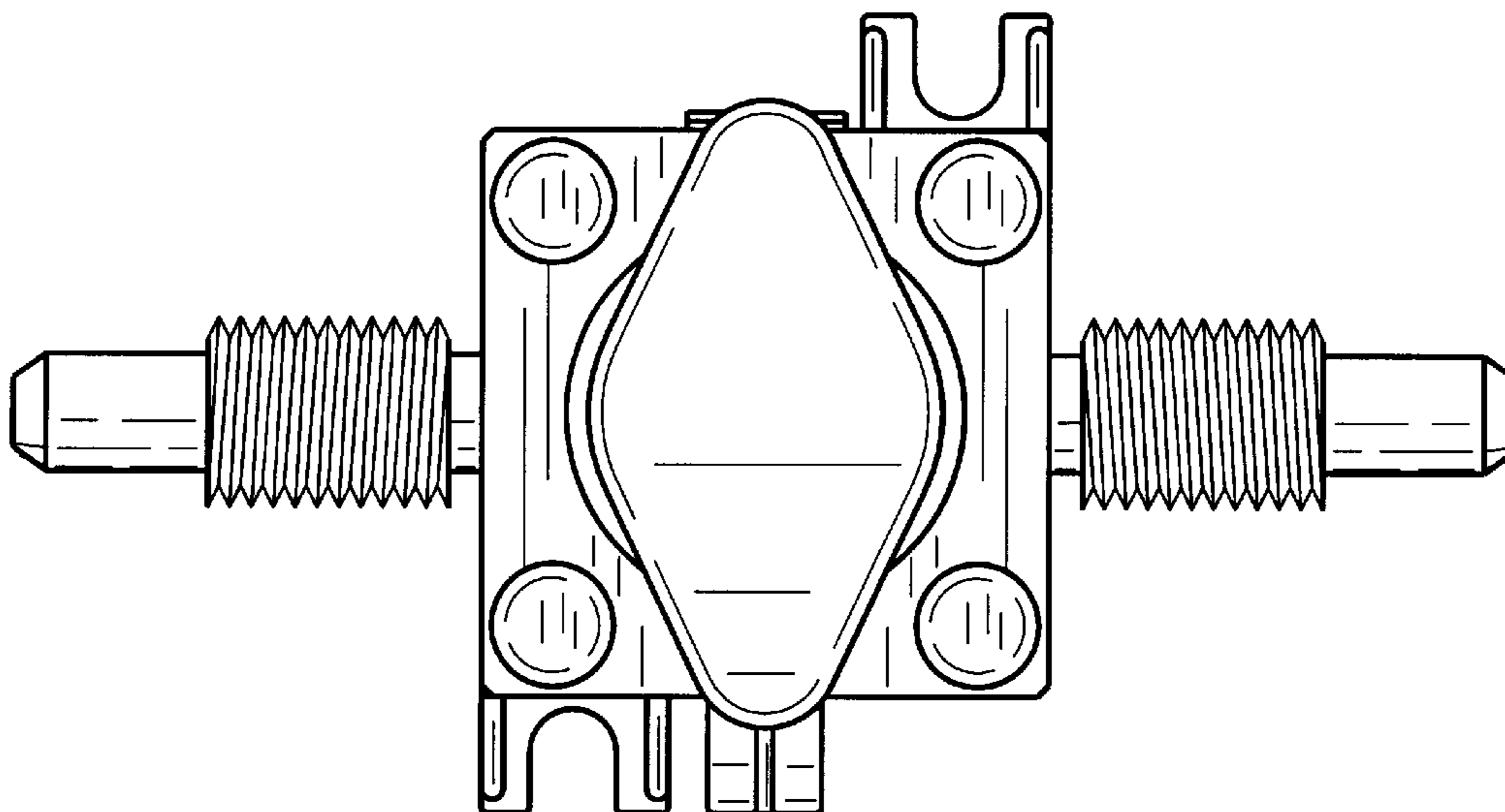
(57) **CLAIM**

The ornamental design for a manual valve actuator with cam, as shown.

**DESCRIPTION**

FIG. 1 is a top view of a manual valve actuator with cam showing the new design;  
FIG. 2 is a front view of the manual valve actuator with cam;  
FIG. 3 is a bottom view of the manual valve actuator with cam;  
FIG. 4 is a back view of the manual valve actuator with cam;  
FIG. 5 is a right side view of the manual valve actuator with cam; and,  
FIG. 6 is a left side view of the manual valve actuator with cam.

**1 Claim, 3 Drawing Sheets**



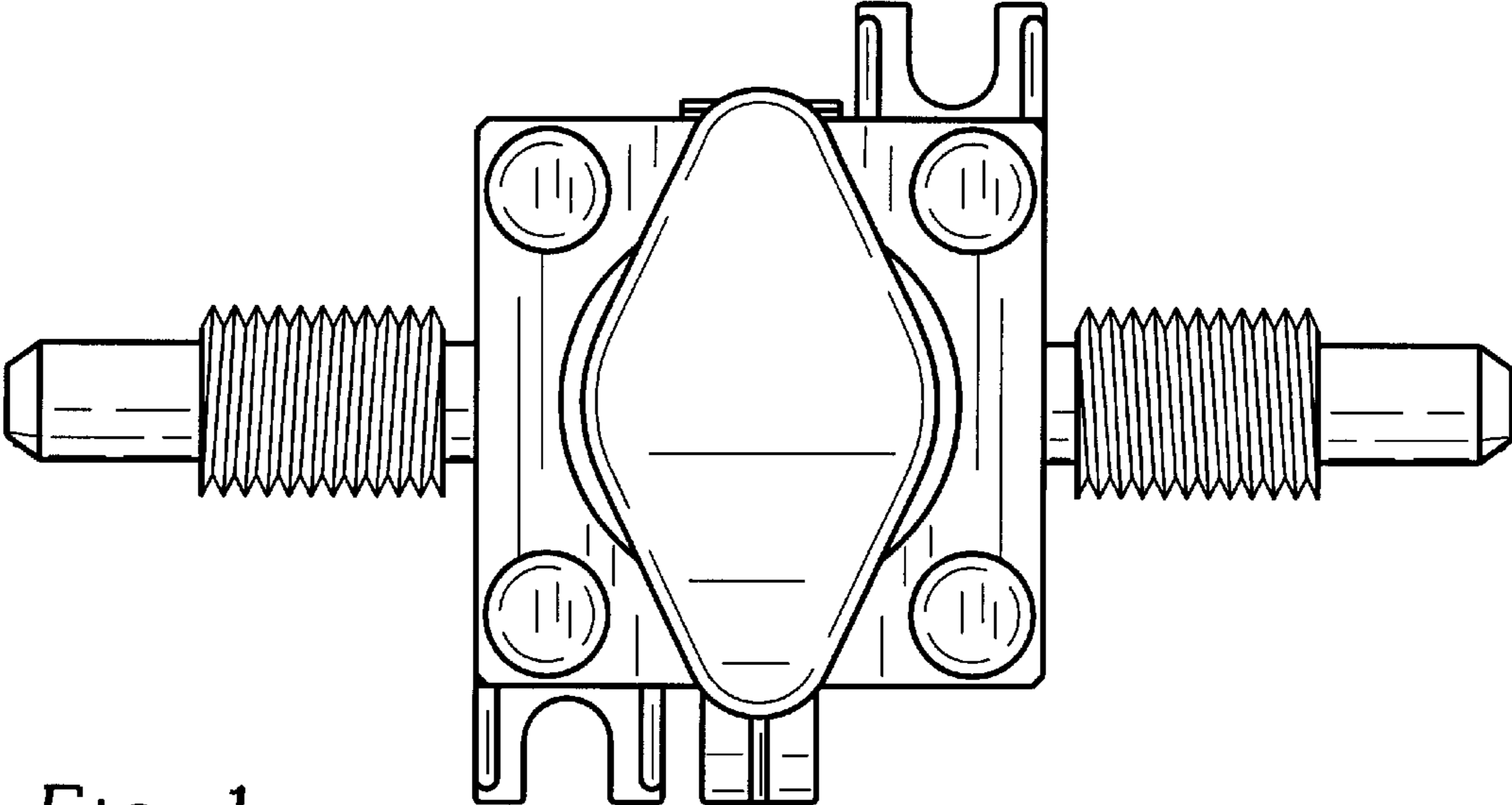


Fig. 1

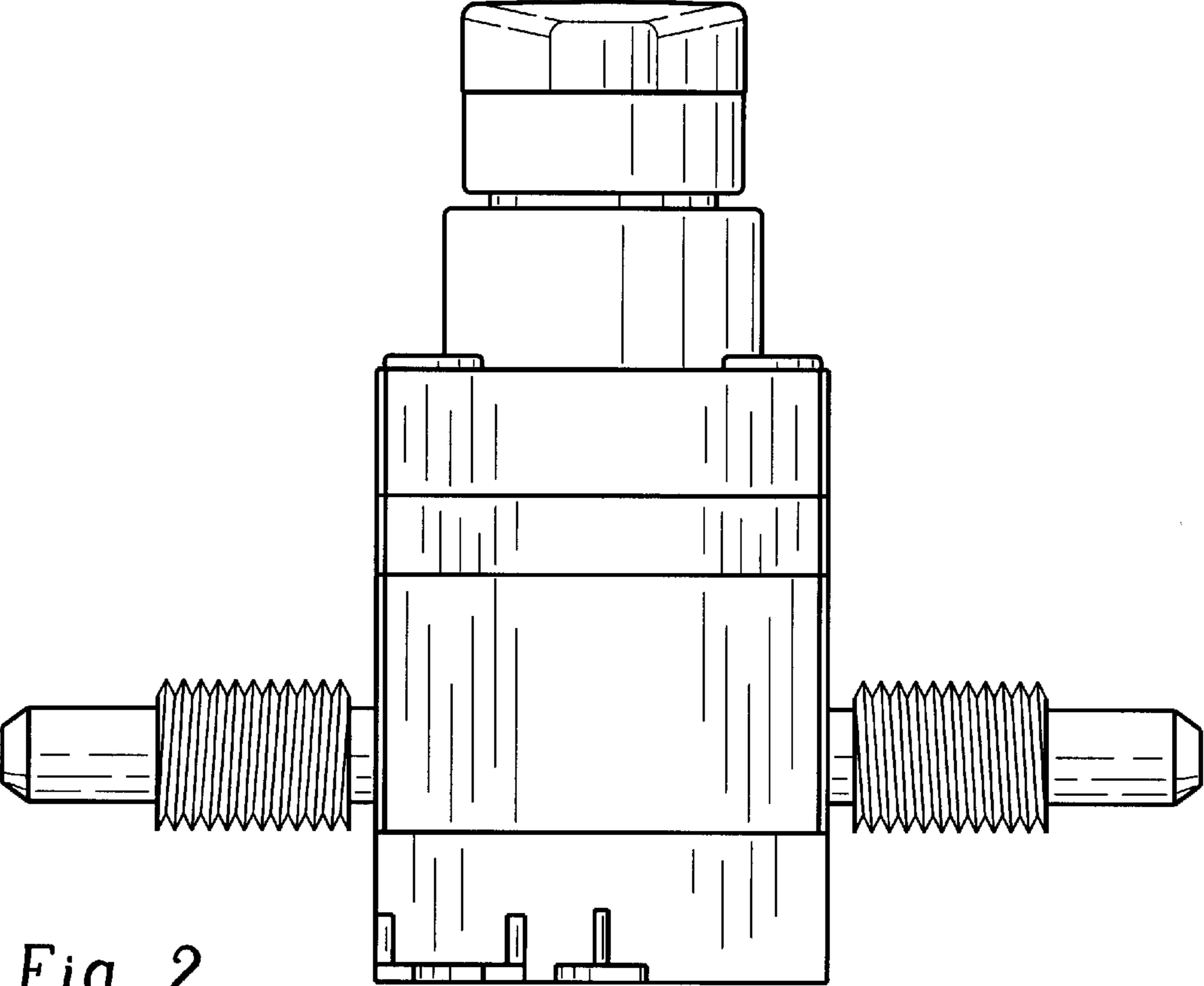
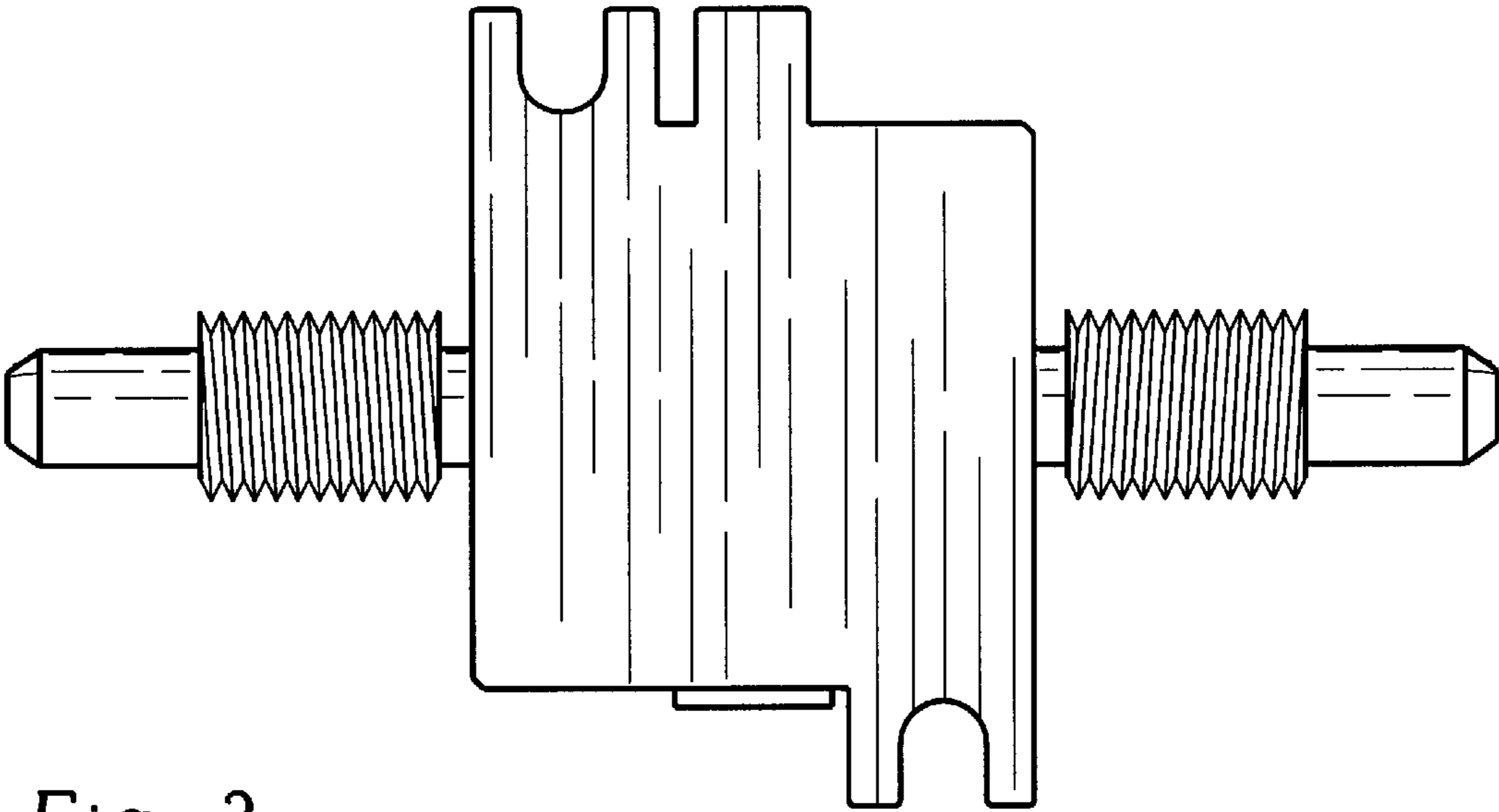
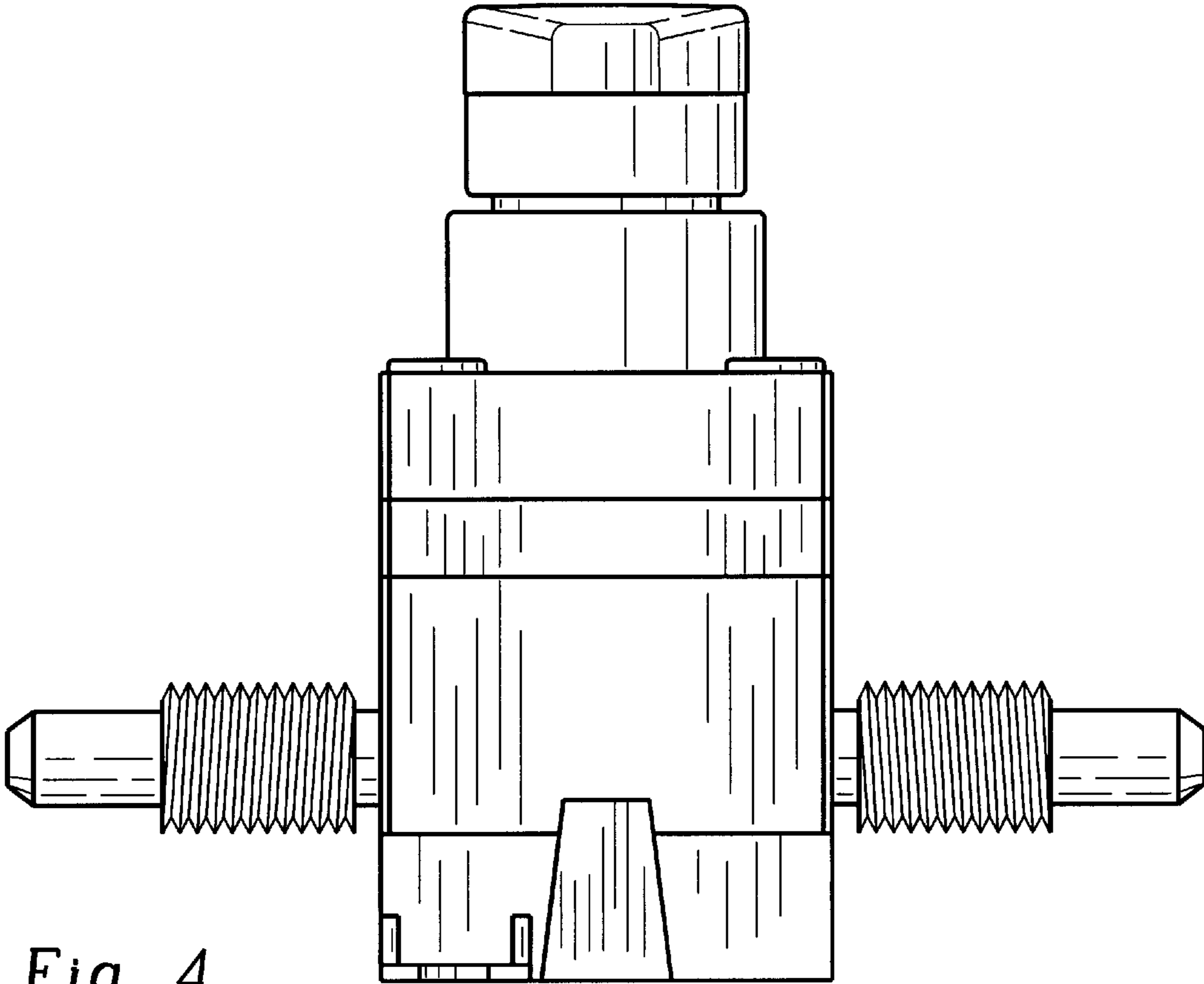


Fig. 2



*Fig. 3*



*Fig. 4*

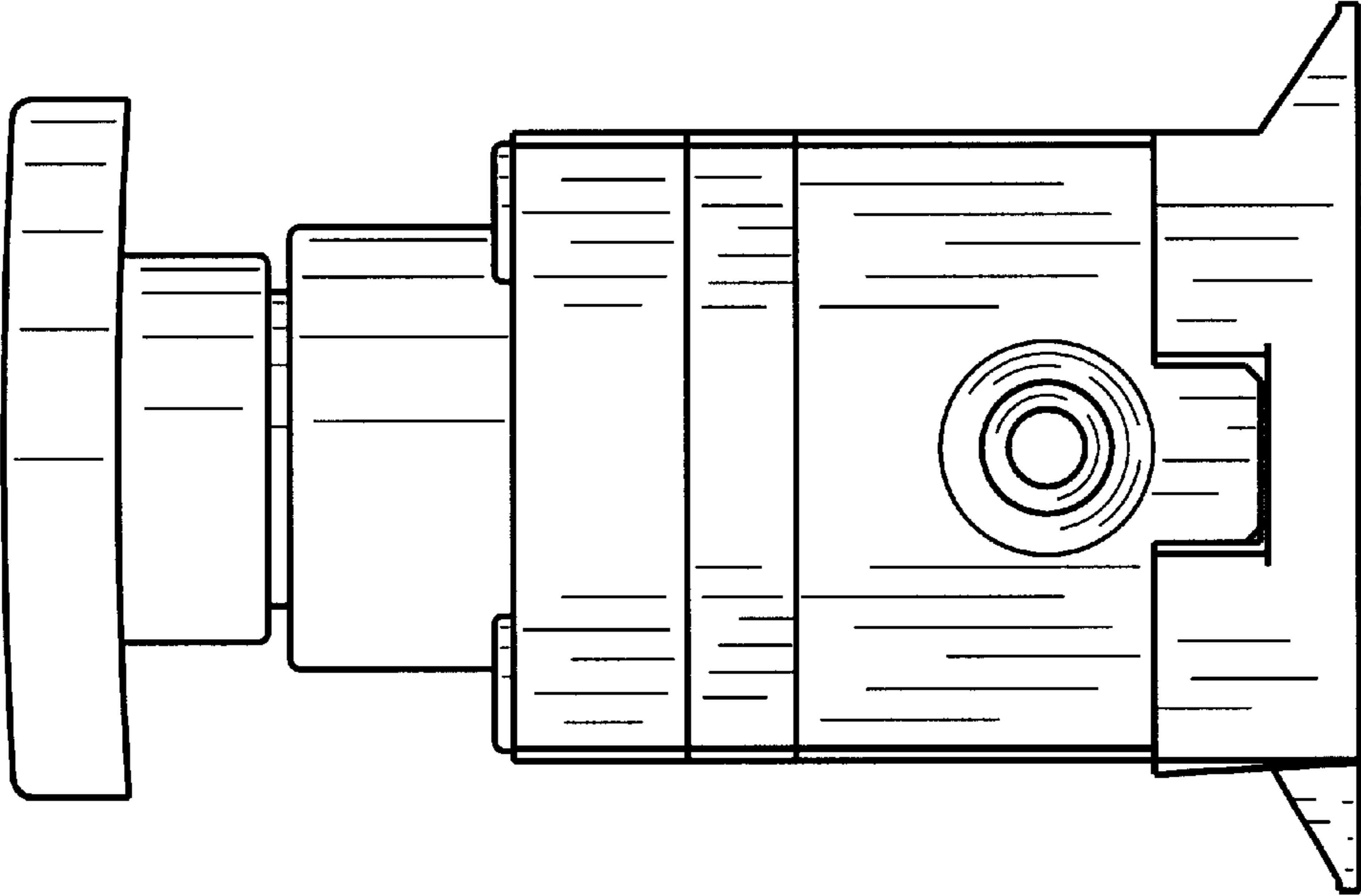


Fig. 6

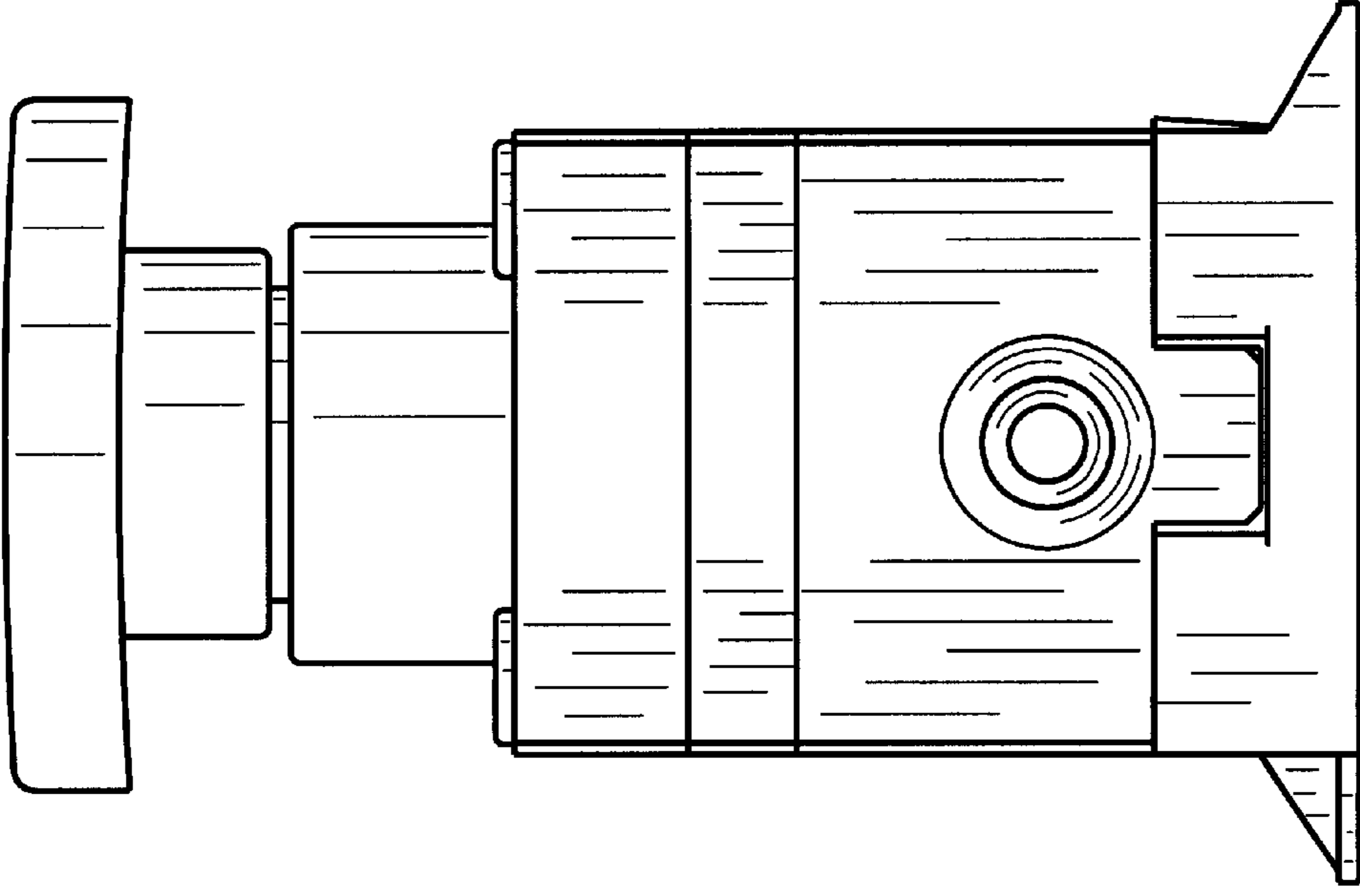


Fig. 5