

US00D500841S

(12) **United States Design Patent**
Citterio

(10) **Patent No.: US D500,841 S**

(45) **Date of Patent: ** Jan. 11, 2005**

(54) **SANITARY FAUCET**

(75) Inventor: **Antonio Citterio**, Milan (IT)

(73) Assignee: **Hansgrohe AG**, Schiltach (DE)

(**) Term: **14 Years**

(21) Appl. No.: **29/178,344**

(22) Filed: **Mar. 25, 2003**

(30) **Foreign Application Priority Data**

Sep. 25, 2002 (DE) 4 02 08 048

(51) **LOC (7) Cl.** **23-01**

(52) **U.S. Cl.** **D23/238**

(58) **Field of Search** D23/238-257,
D23/304; 4/675-678; 137/801

(56) **References Cited**

U.S. PATENT DOCUMENTS

D290,991 S * 7/1987 Paul D23/241
D442,264 S * 5/2001 Mullenmeister D23/252
D478,377 S * 8/2003 Starck D23/304

OTHER PUBLICATIONS

“FONTE water house” brochure, 2 pages, Mar., 2002.

* cited by examiner

Primary Examiner—Louis S. Zarfes

Assistant Examiner—Gregory Andoll

(74) *Attorney, Agent, or Firm*—Duane Morris LLP

(57) **CLAIM**

The ornamental design for a sanitary faucet, as shown and described.

DESCRIPTION

FIG. 1: is a side perspective view of the sanitary faucet showing my new design;

FIG. 2: is a top plan view thereof;

FIG. 3: is a front elevation view thereof;

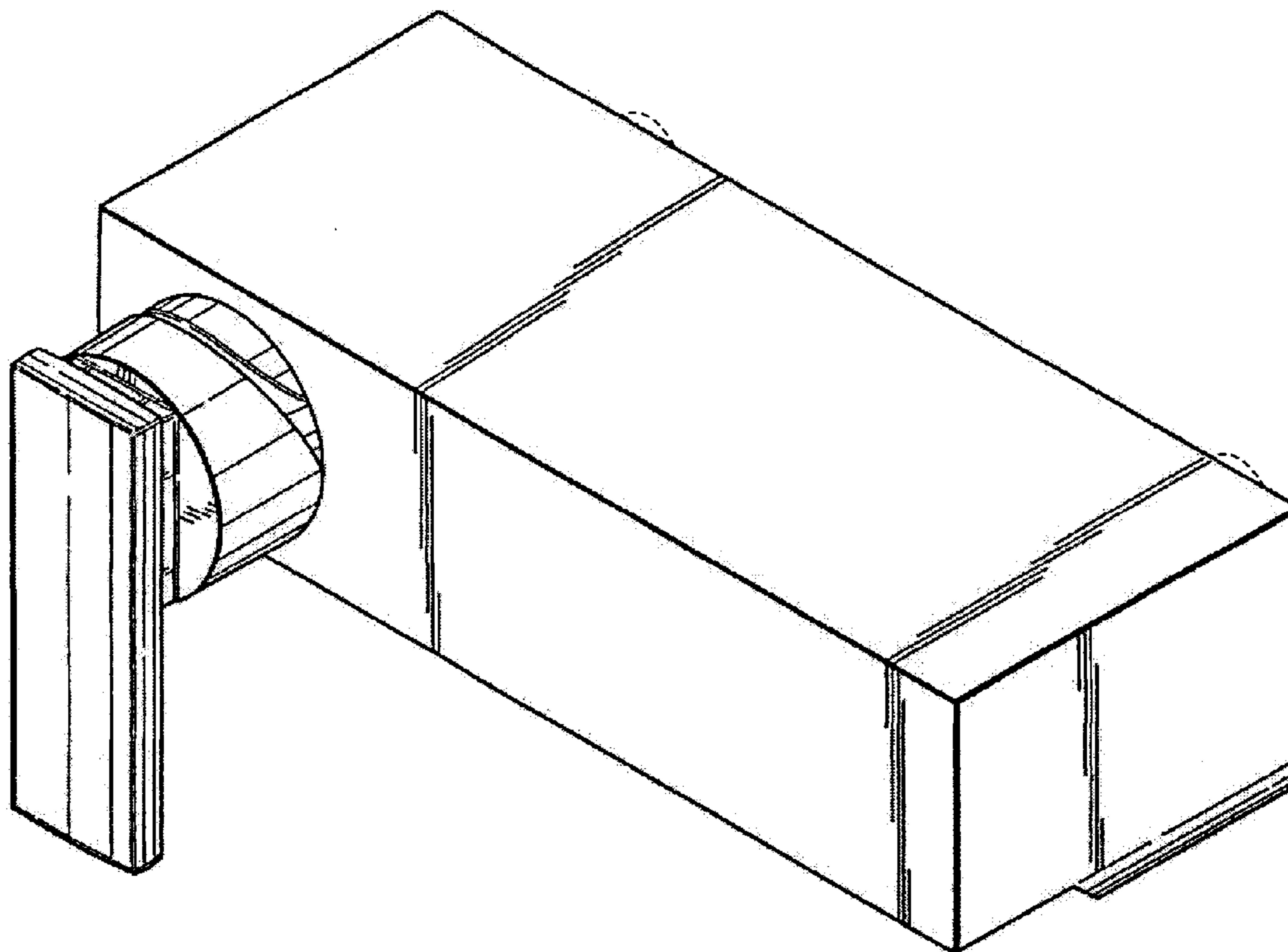
FIG. 4: is a bottom plan view thereof;

FIG. 5: is a rear elevation view thereof; and,

FIG. 6: is a side elevation view thereof (the opposite side being a mirror image).

The broken lines in the Figures are for illustrative purposes only and form no part of the claimed design.

1 Claim, 5 Drawing Sheets



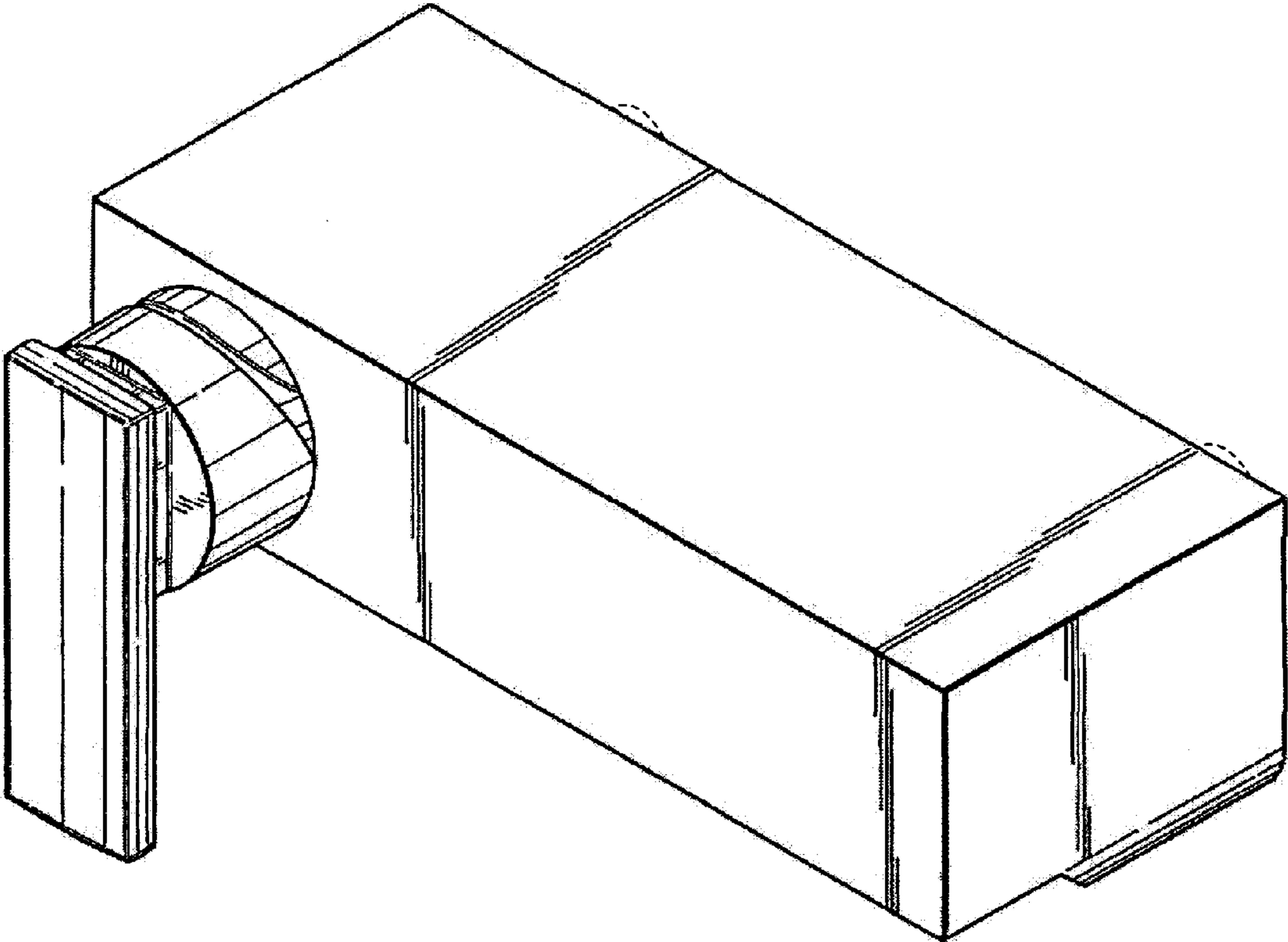


FIG. 1

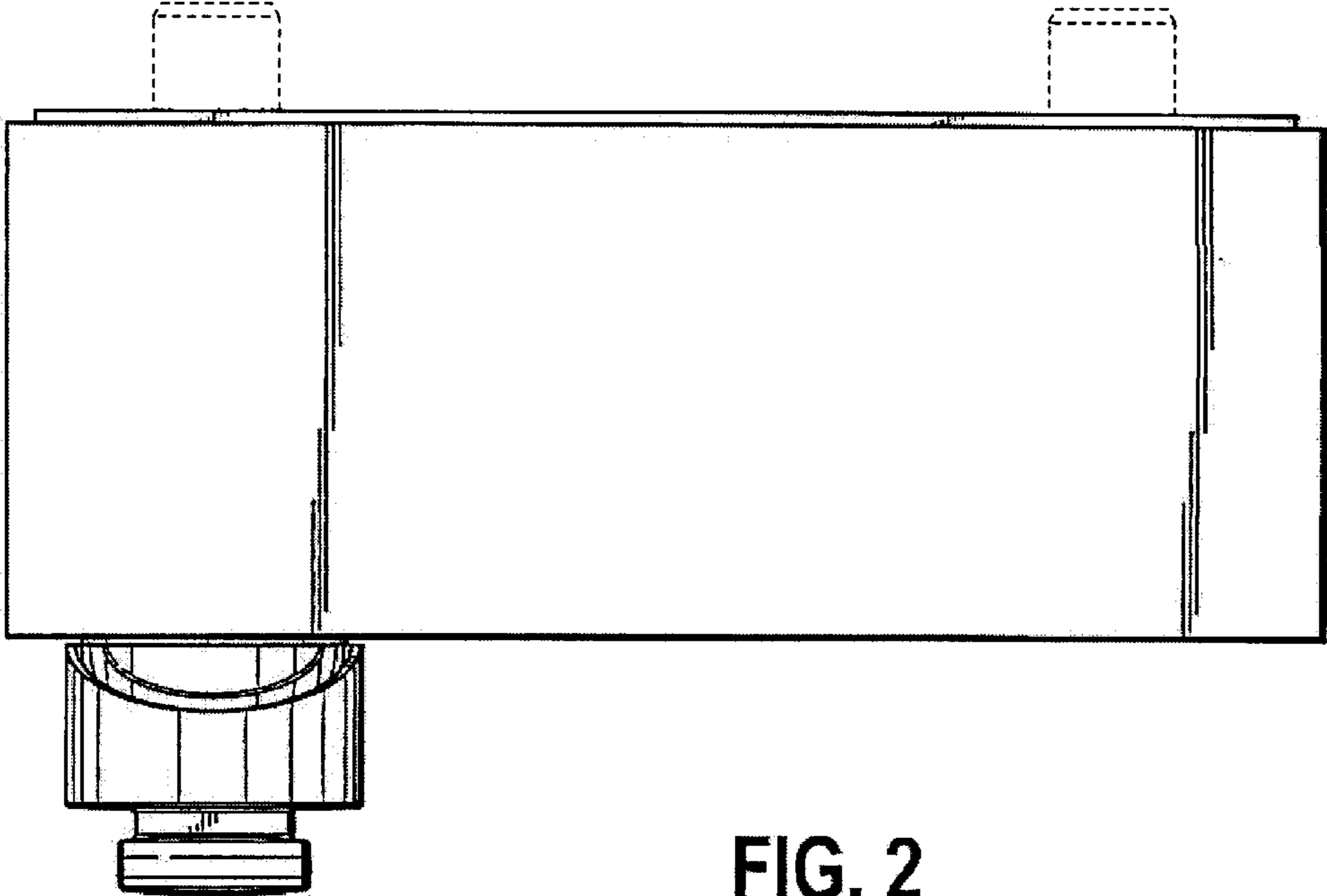


FIG. 2

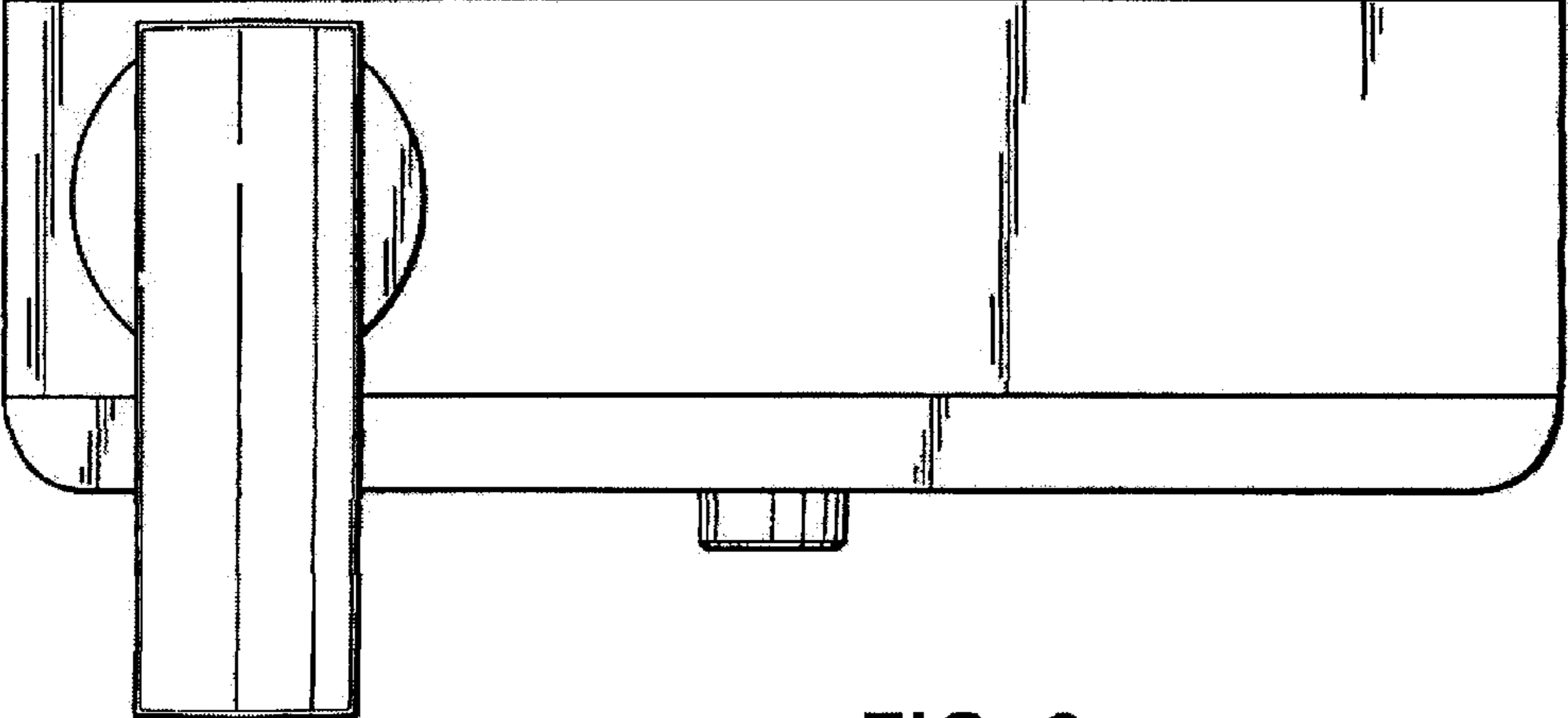


FIG. 3

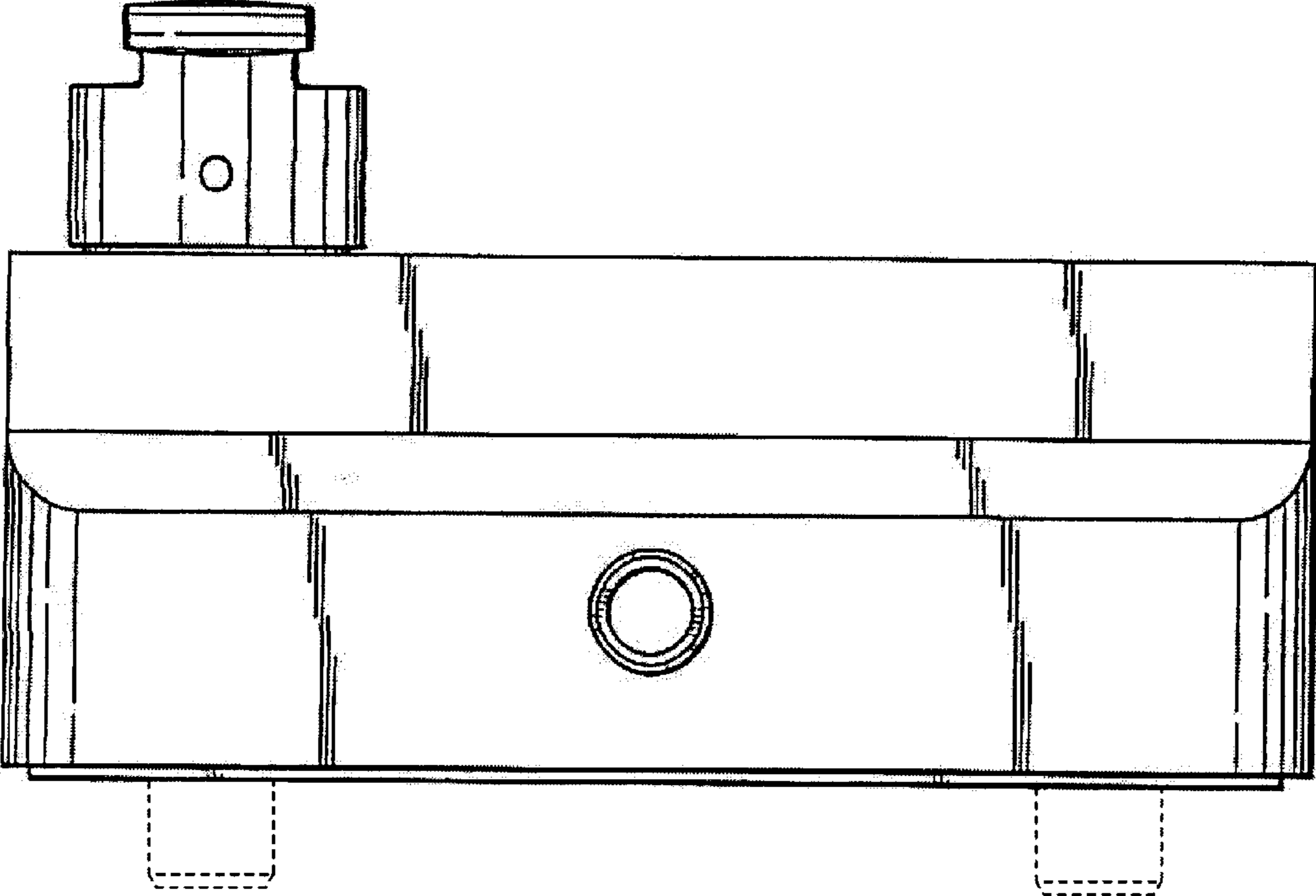


FIG. 4

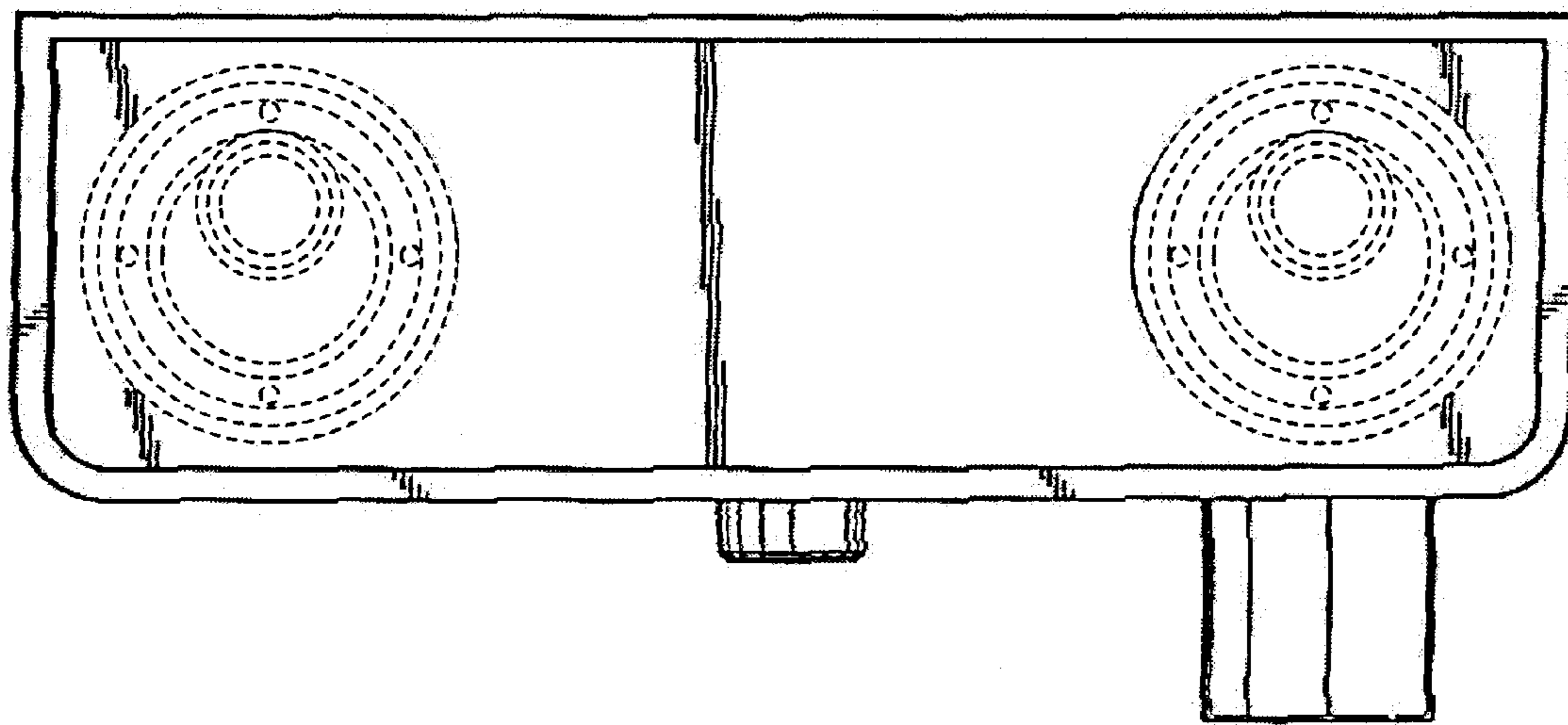


FIG. 5

FIG. 6

