

US00D500840S

(12) **United States Design Patent**
Kim

(10) **Patent No.: US D500,840 S**

(45) **Date of Patent: ** Jan. 11, 2005**

(54) **VALVE BODY OF GAS OVERCHARGE PREVENTION SYSTEM**

(75) **Inventor: Young Rae Kim, Kyoungki-do (KR)**

(73) **Assignee: Dymco Co., Ltd., Kyoungki-Do (KR)**

(**) **Term: 14 Years**

(21) **Appl. No.: 29/188,368**

(22) **Filed: Aug. 14, 2003**

(30) **Foreign Application Priority Data**

Feb. 14, 2003 (KR) 30-2003-0003896

(51) **LOC (7) Cl. 23-01**

(52) **U.S. Cl. D23/236; D23/233; D23/249**

(58) **Field of Search D23/233, 235-237, D23/248-249; 137/315.08, 390, 413-414**

(56) **References Cited**

U.S. PATENT DOCUMENTS

- D260,280 S * 8/1981 Campbell D23/237
- 4,462,417 A * 7/1984 Trinkwalder, Jr. 137/39
- D278,739 S * 5/1985 Galloway D23/233
- D285,332 S * 8/1986 Trinkwalder D23/246
- 5,460,197 A * 10/1995 Kerger et al. 137/39
- D412,738 S * 8/1999 Kuwabara D23/233

- 6,076,546 A * 6/2000 Waters 137/390
- 6,138,709 A * 10/2000 Home 137/413
- 6,178,994 B1 * 1/2001 Park 137/413
- D442,267 S * 5/2001 Kouda D23/262
- 6,293,302 B1 * 9/2001 Waters et al. 137/390
- 6,408,869 B1 * 6/2002 Bartos et al. 137/414
- 6,523,564 B1 * 2/2003 Phillips 137/430

* cited by examiner

Primary Examiner—Nelson C. Holtje

(74) *Attorney, Agent, or Firm*—Darby & Darby

(57) **CLAIM**

The ornamental design for a valve body of gas overcharge prevention system, as shown and described.

DESCRIPTION

FIG. 1 is a perspective view of a valve body of gas overcharge prevention system, showing my new design; FIG. 2 is a front elevational view thereof; FIG. 3 is a rear elevational view thereof; FIG. 4 is a left side elevational view thereof; FIG. 5 is a right side elevational view thereof; FIG. 6 is a top plan view thereof; FIG. 7 is a bottom plan view thereof; and, FIG. 8 is a cross-sectional view thereof, taken along line A—A of FIG. 6.

1 Claim, 6 Drawing Sheets

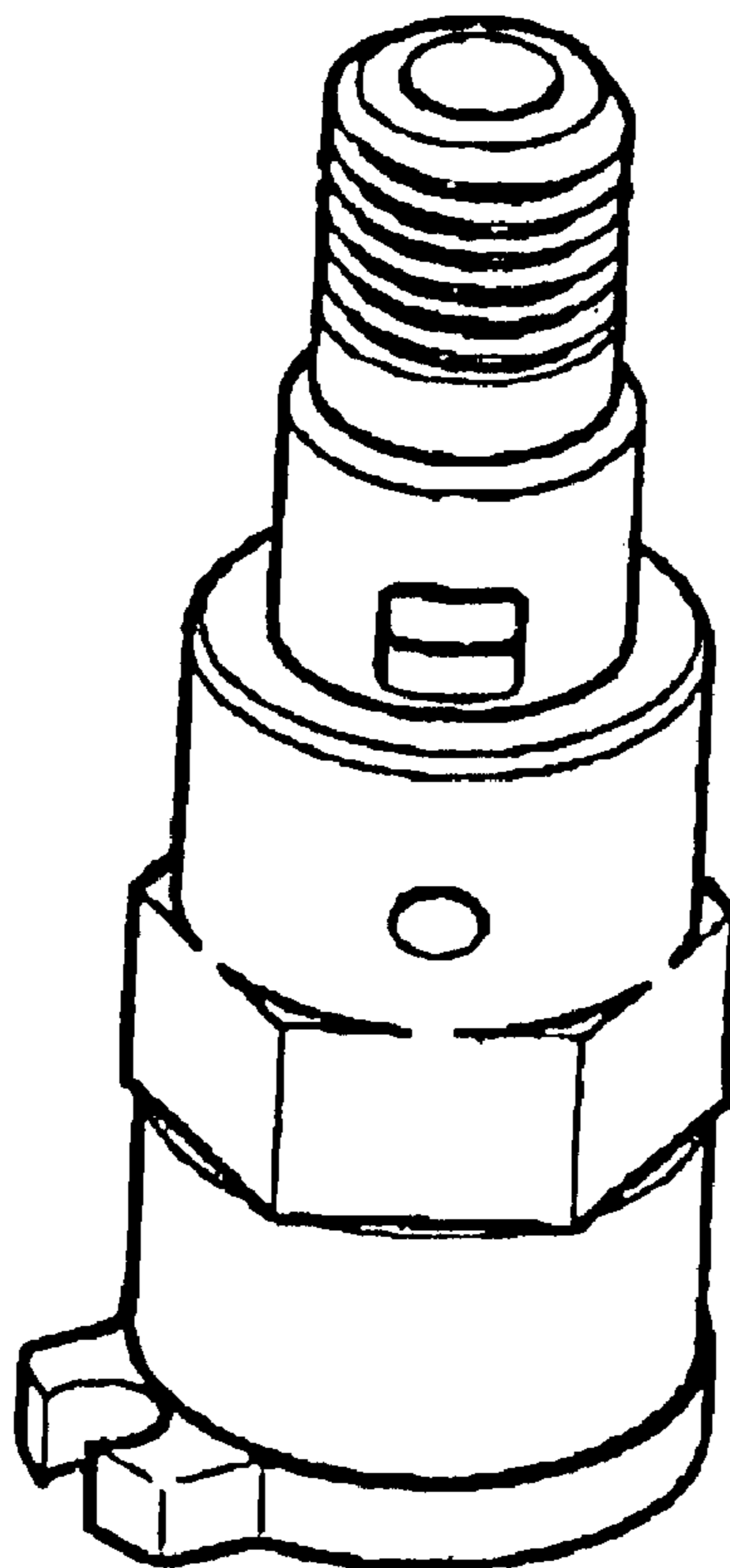


FIG 1

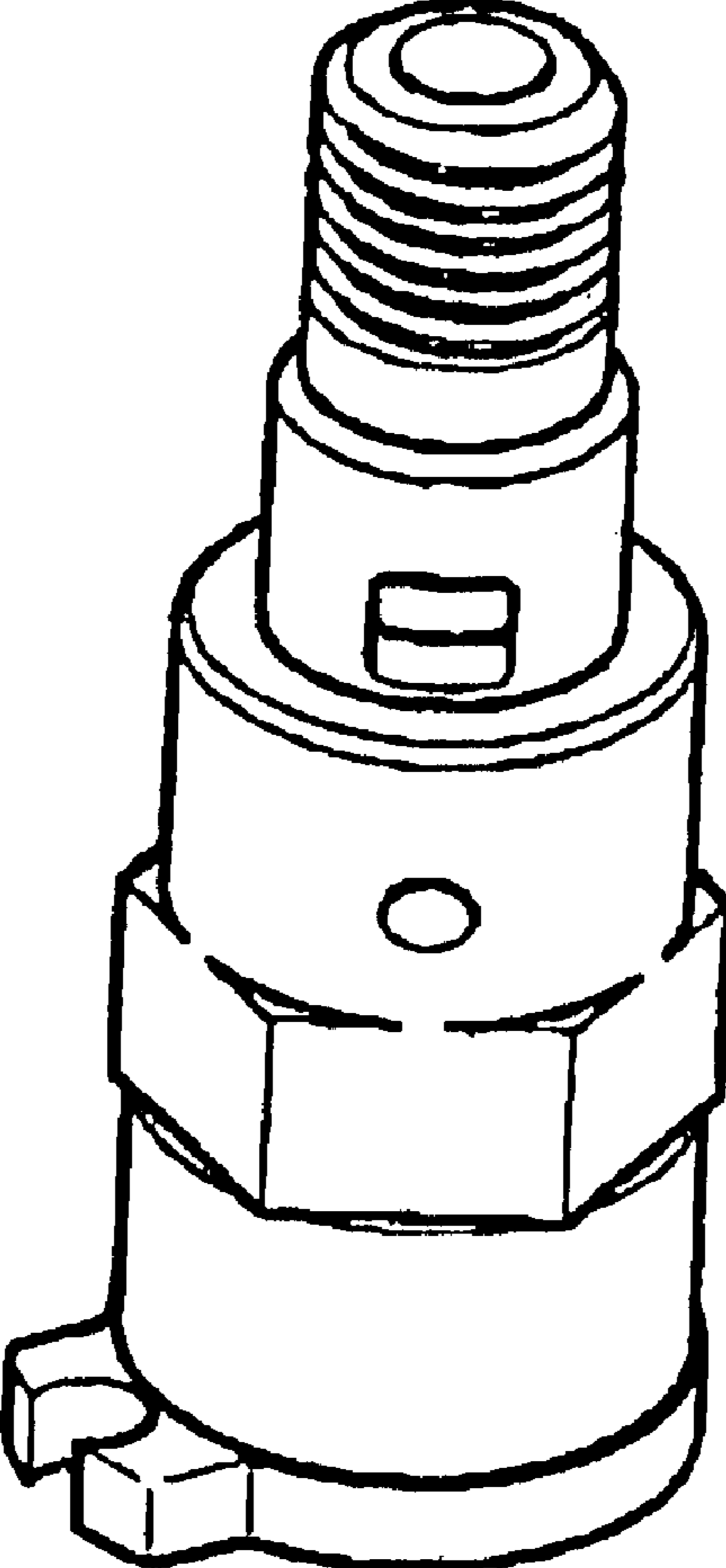


FIG 2

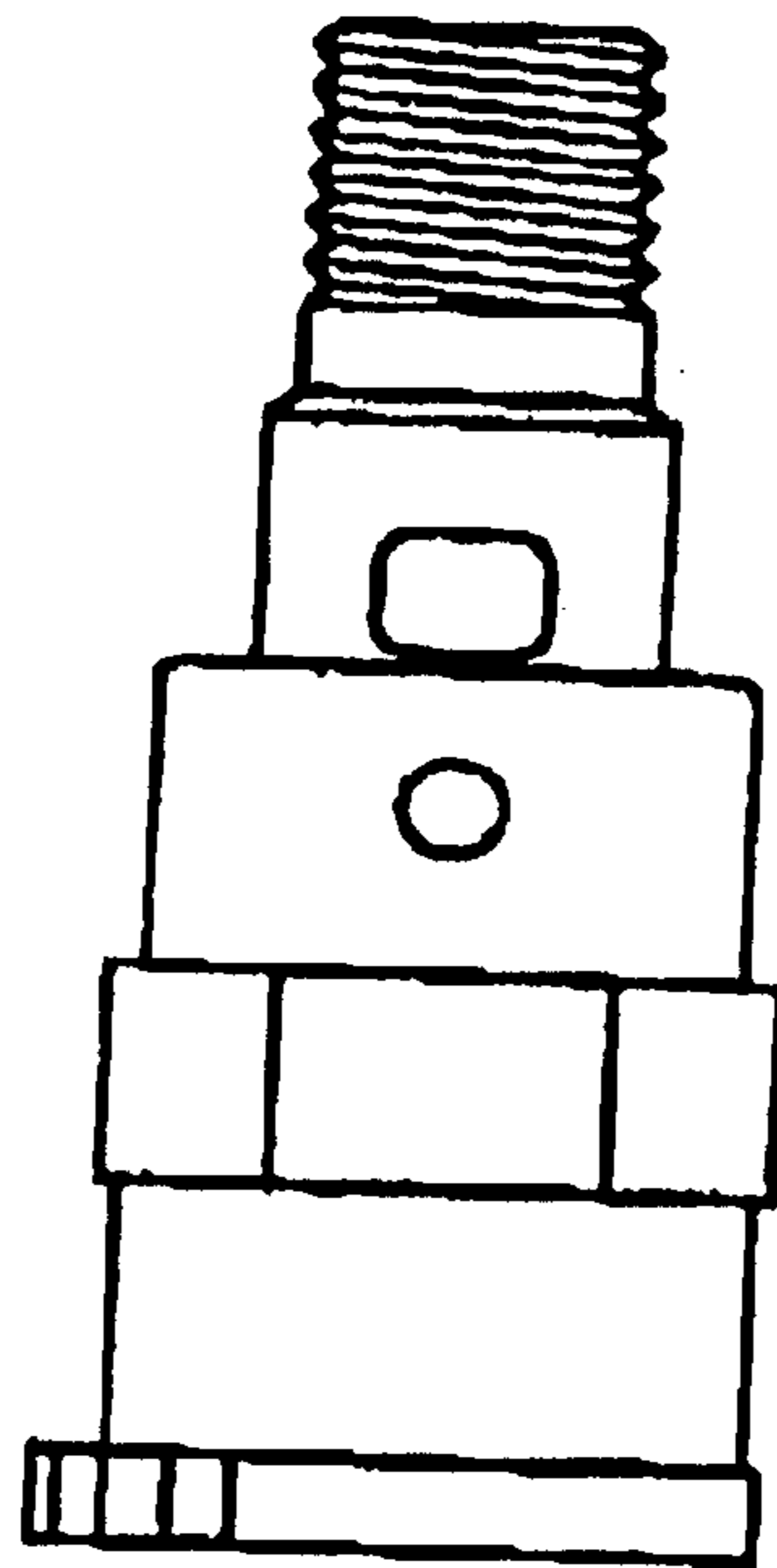


FIG 3

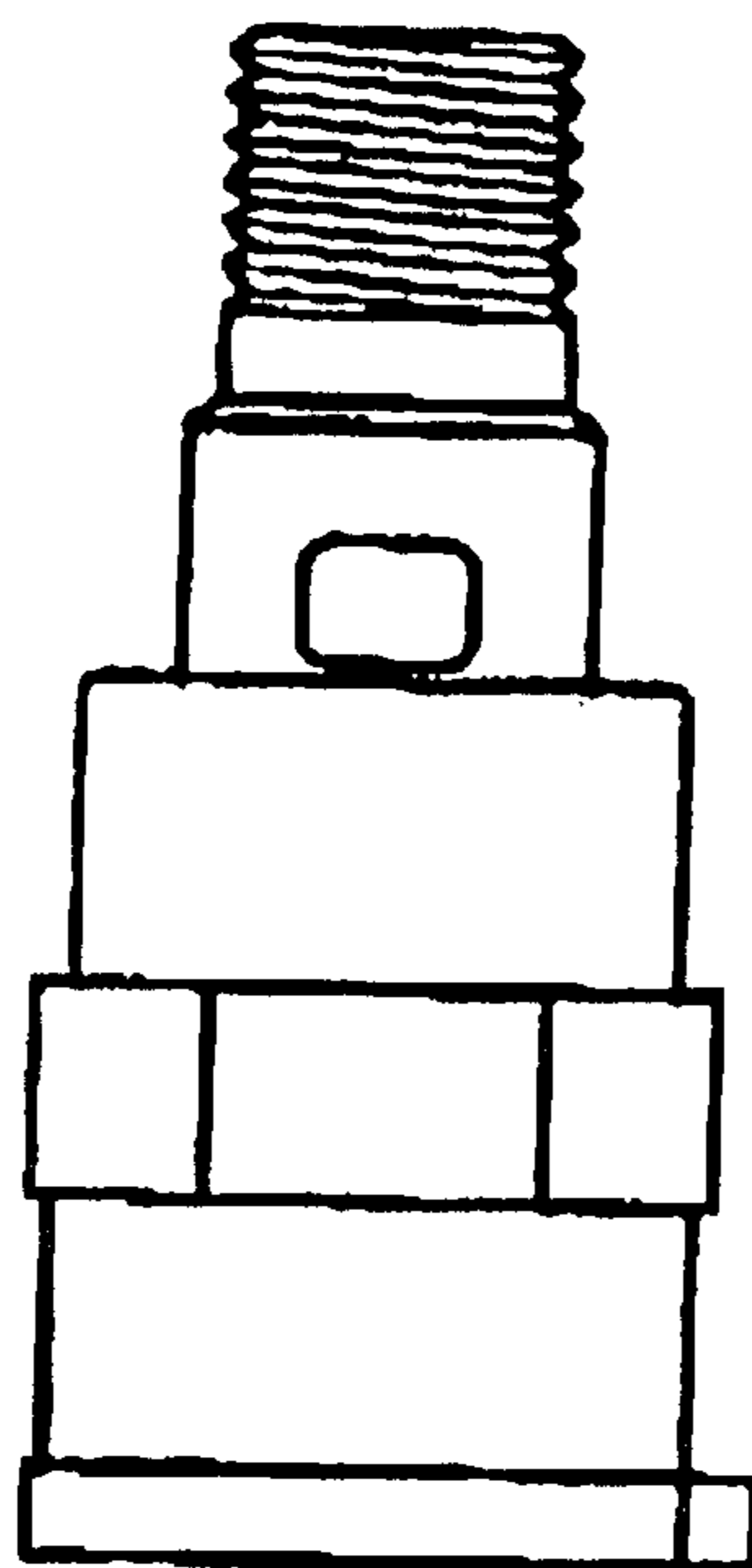


FIG 4

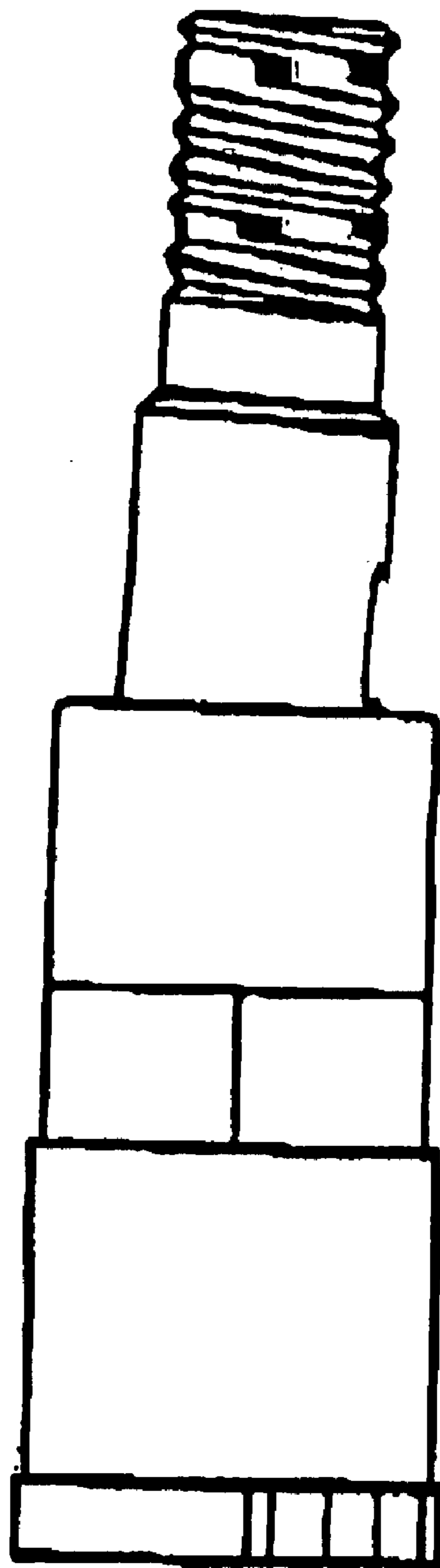


FIG 5

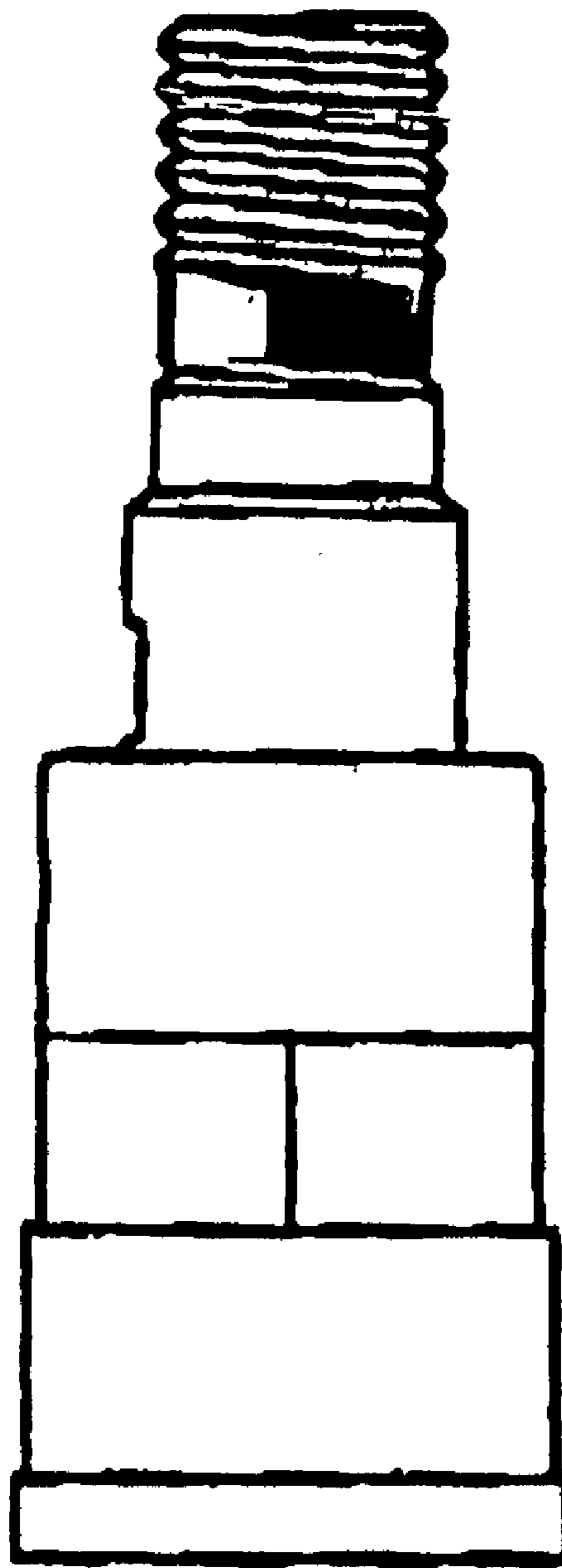


FIG 6

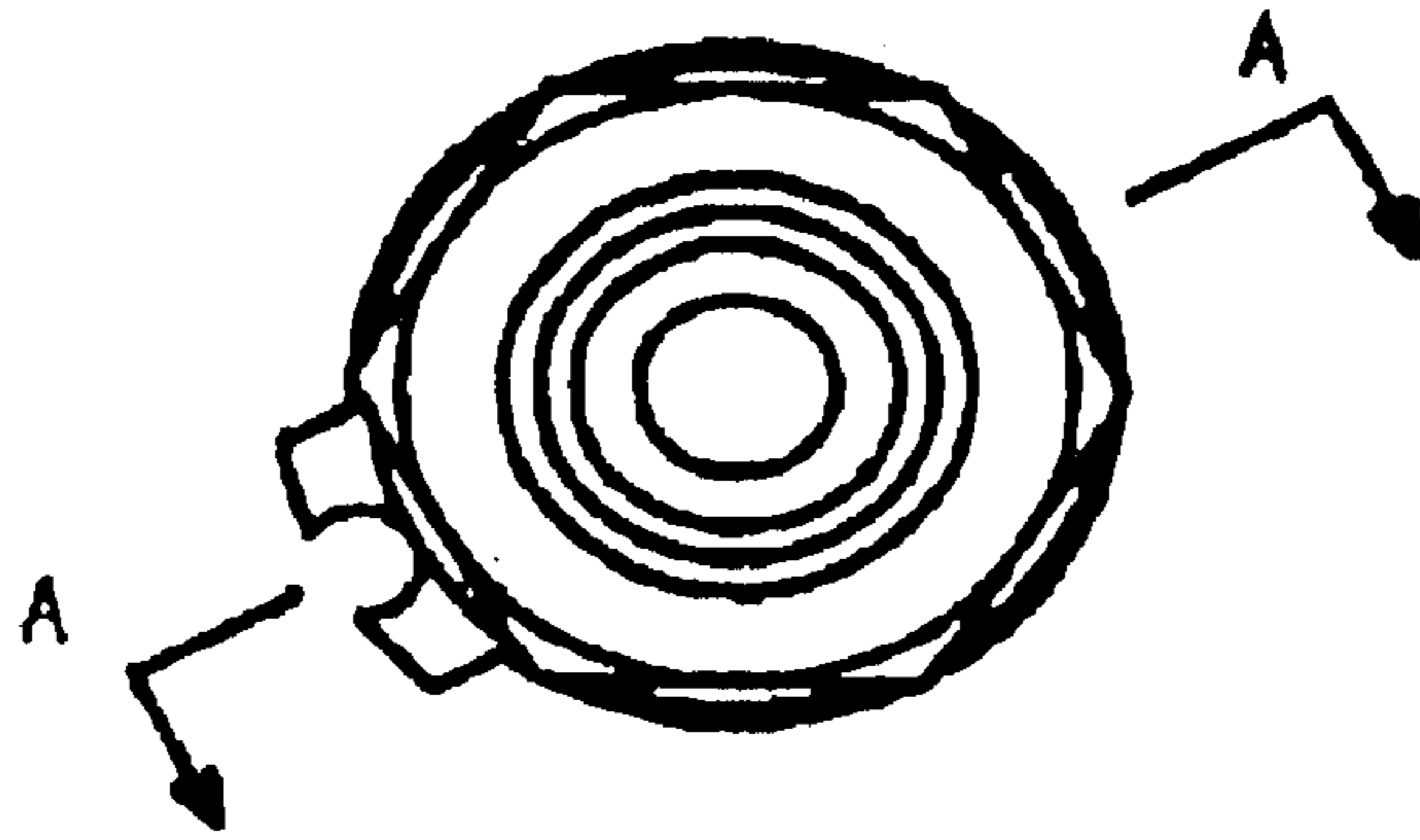


FIG 7

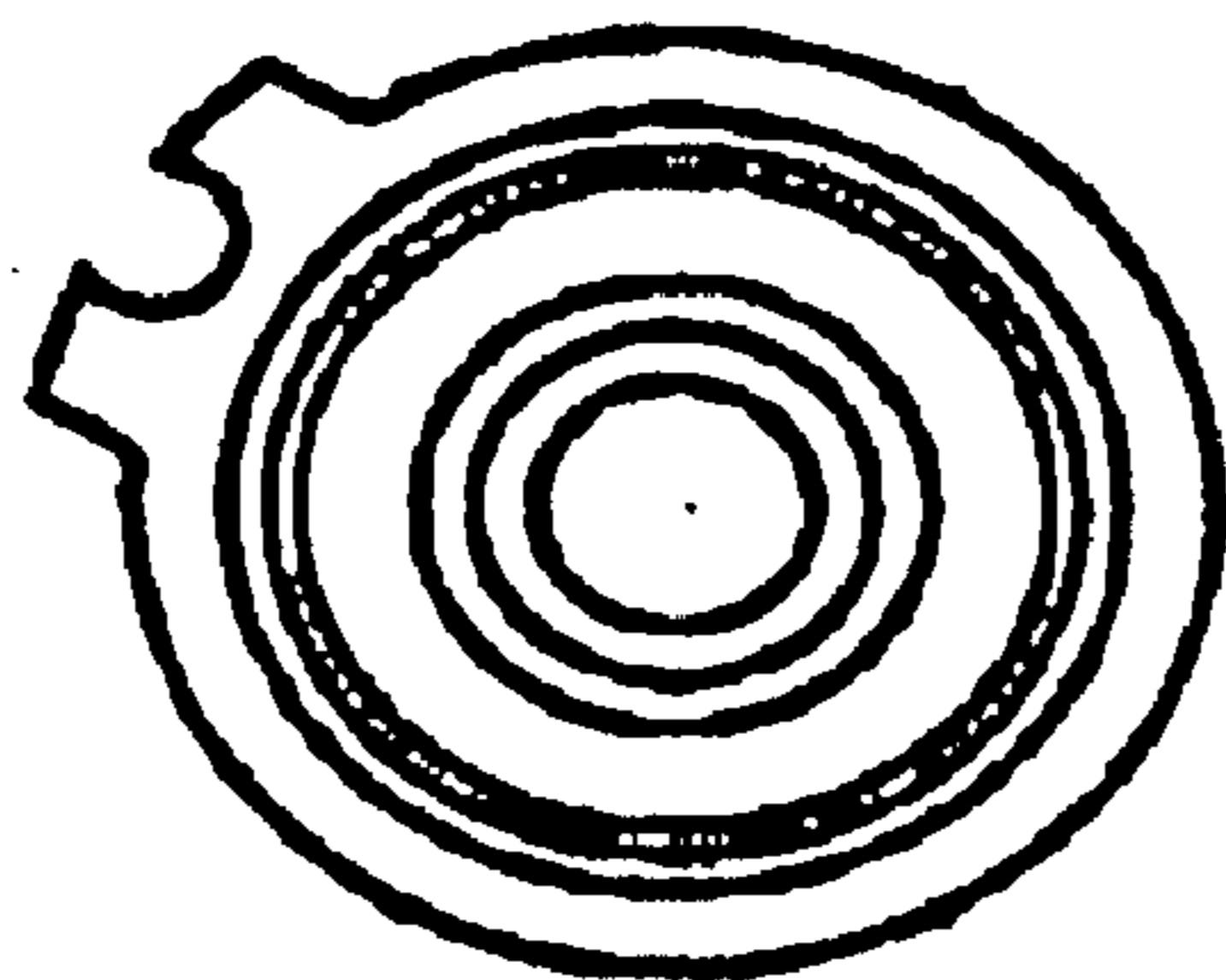


FIG 8

