



US00D500839S

(12) **United States Design Patent**
Blomstrom

(10) **Patent No.:** **US D500,839 S**

(45) **Date of Patent:** **** Jan. 11, 2005**

(54) **SHOWERHEAD**

(75) Inventor: **John K Blomstrom**, Sheboygan Falls, WI (US)

(73) Assignee: **Kohler Co.**, Kohler, WI (US)

(**) Term: **14 Years**

(21) Appl. No.: **29/194,519**

(22) Filed: **Nov. 25, 2003**

(51) **LOC (7) Cl.** **23-01**

(52) **U.S. Cl.** **D23/229**

(58) **Field of Search** D23/213, 223,
D23/226, 229, 230; 239/282, 283

(56) **References Cited**

U.S. PATENT DOCUMENTS

D290,497 S	*	6/1987	Huen	D23/229
D328,944 S		8/1992	Robbins		
D465,553 S	*	11/2002	Singtoroj	D23/229
D467,300 S	*	12/2002	Singtoroj	D23/213
D476,062 S	*	6/2003	Singtoroj et al.	D23/229
D487,498 S	*	3/2004	Blomstrom	D23/213
2001/0008256 A1		7/2001	Marsh et al.		

OTHER PUBLICATIONS

2000 Kohler catalog ad., p. 2.43, showing escutcheons for "Memoirs Classic" handles and showerhead.

2001 Kohler catalog ad, p. 2.79, showing a K-7351 showerhead.

* cited by examiner

Primary Examiner—Robin V. Taylor

(74) *Attorney, Agent, or Firm*—Quarles & Brady LLP

(57) **CLAIM**

The ornamental design for a showerhead, as shown and described.

DESCRIPTION

In a preferred embodiment, the nature of this product is as a showerhead primarily useful for enabling a water spray from a plumbing fitting.

FIG. 1 is a left, top, front perspective view of a showerhead embodying my new design;

FIG. 2 is a front elevational view thereof;

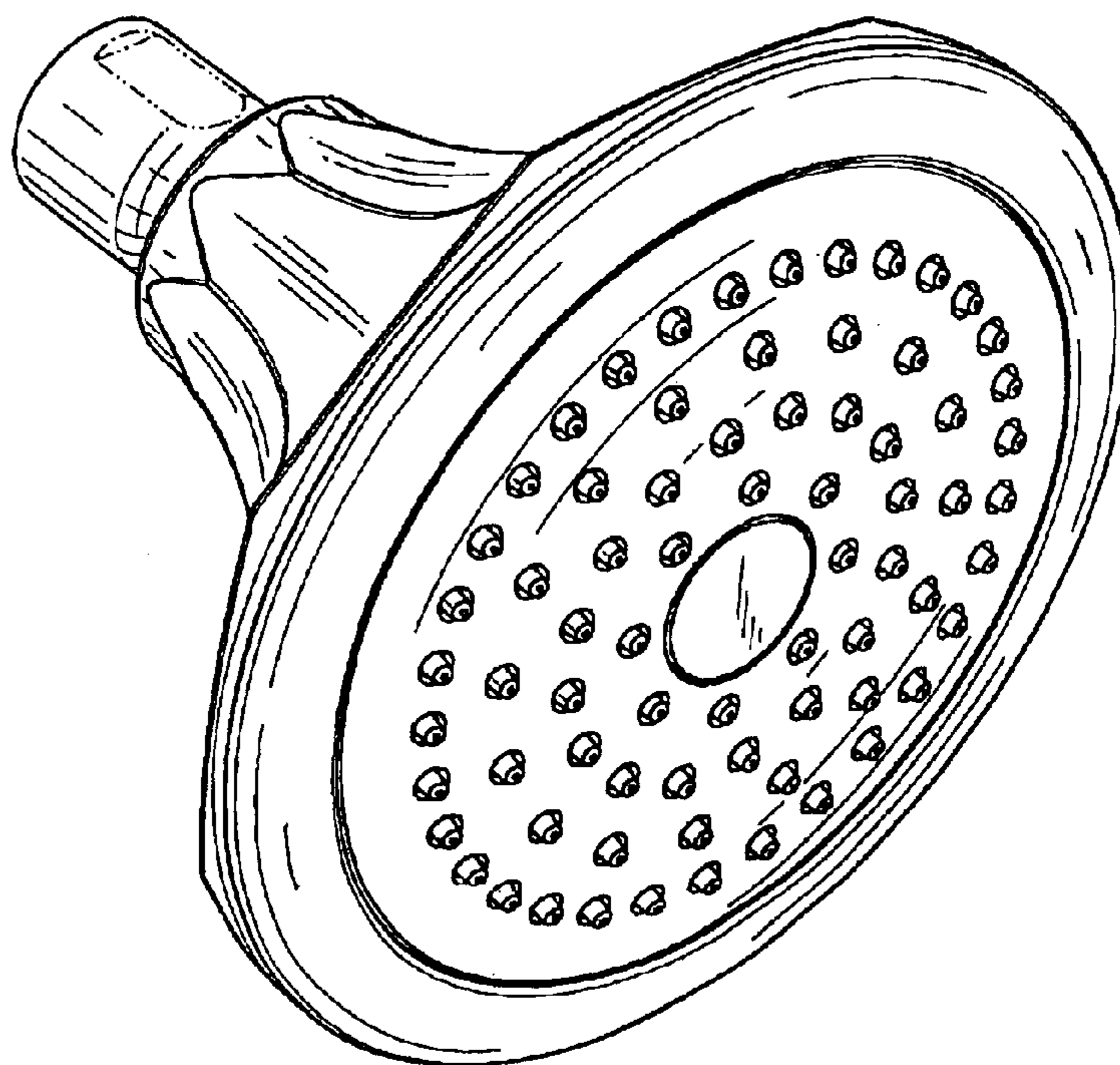
FIG. 3 is a left side elevational view thereof, the right side elevational view thereof being a mirror image of the left side shown;

FIG. 4 is a top plan view thereof, the bottom plan view thereof being a mirror image of the top plan view shown; and,

FIG. 5 is a rear elevational view thereof.

The broken line representations of a notch in FIGS. 1 and 4, and of mounting structure in FIG. 5, are for the purpose of illustration only, and form no part of the claimed design.

1 Claim, 4 Drawing Sheets



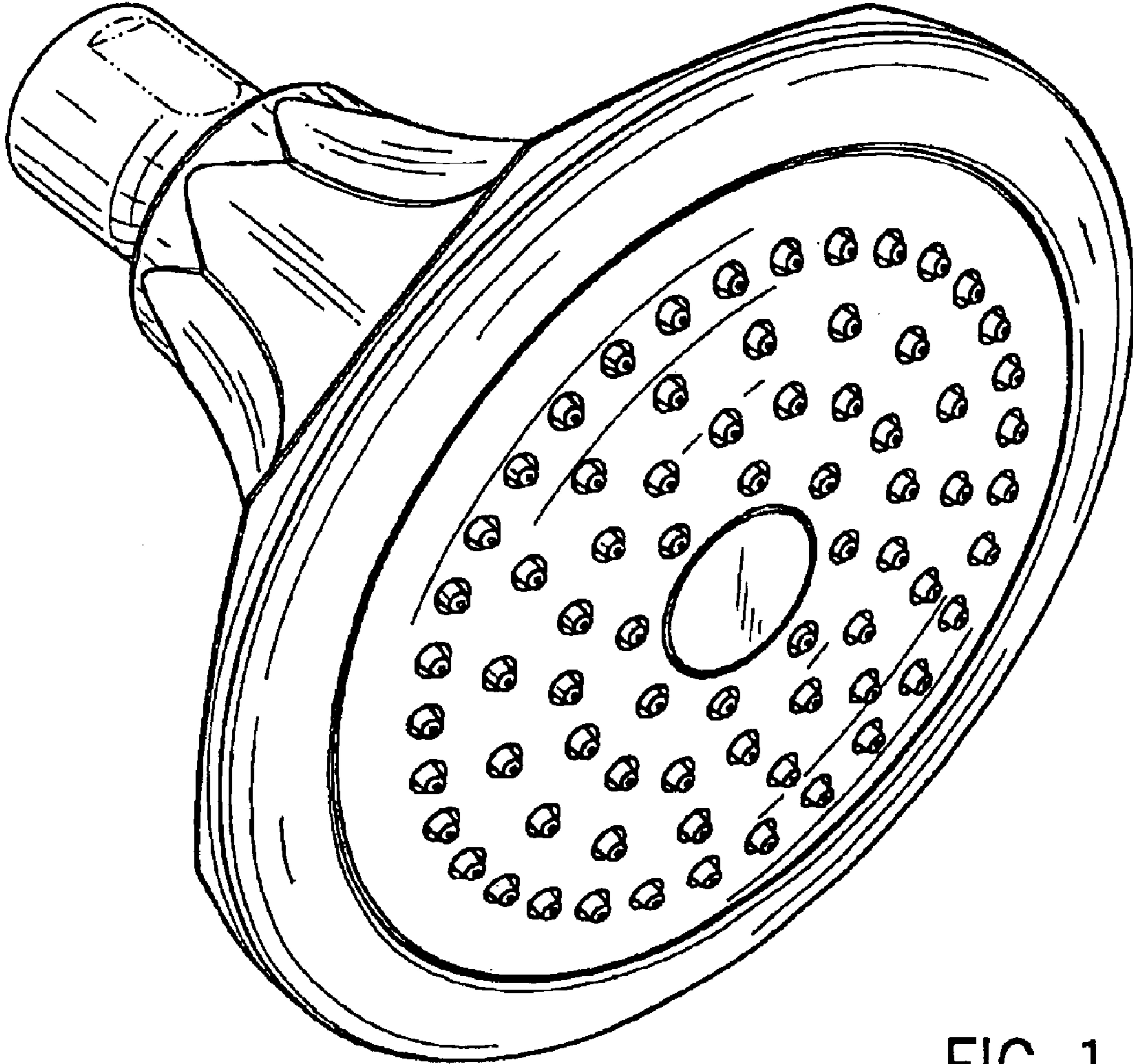


FIG. 1

FIG. 2

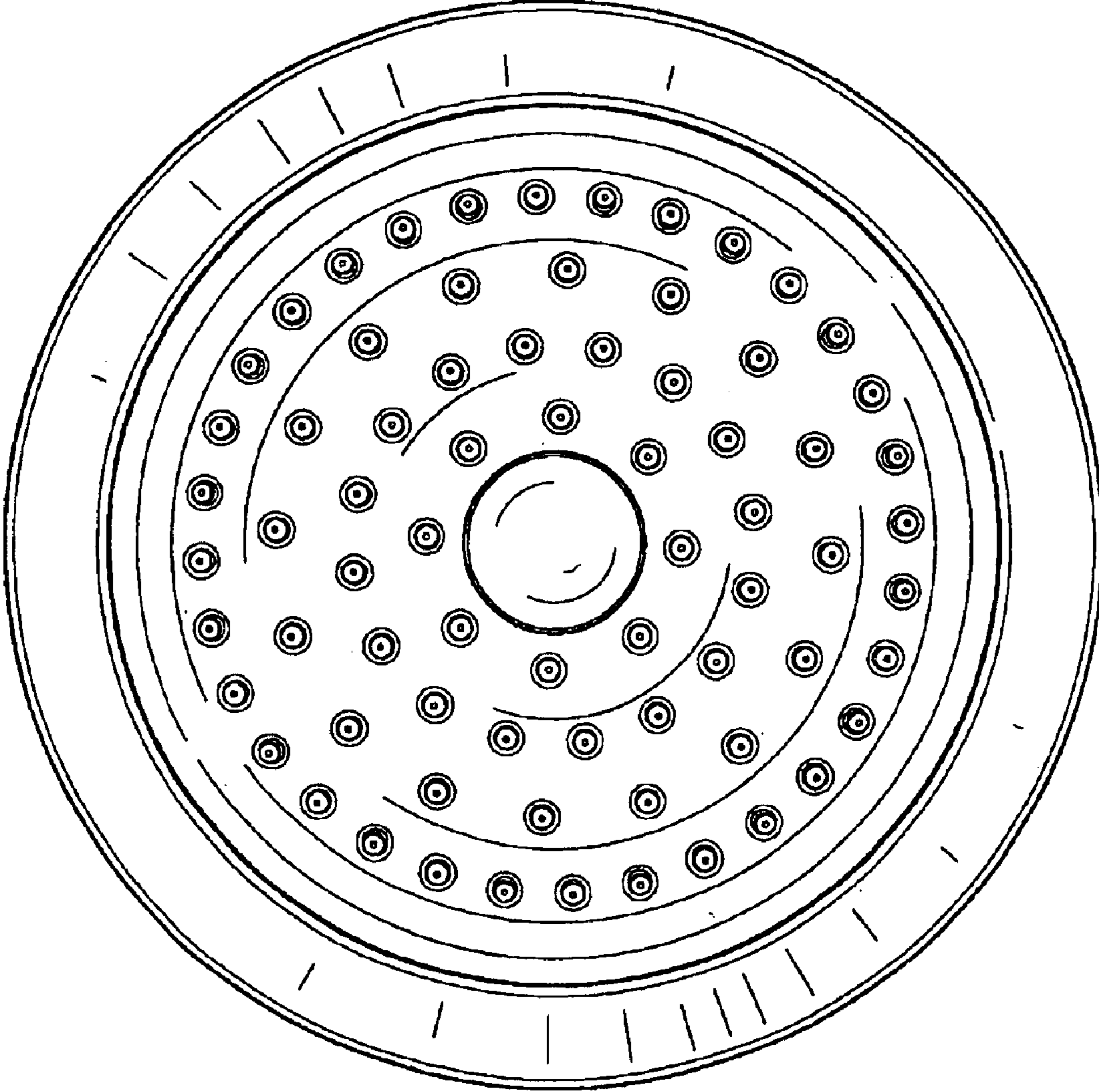


FIG. 3

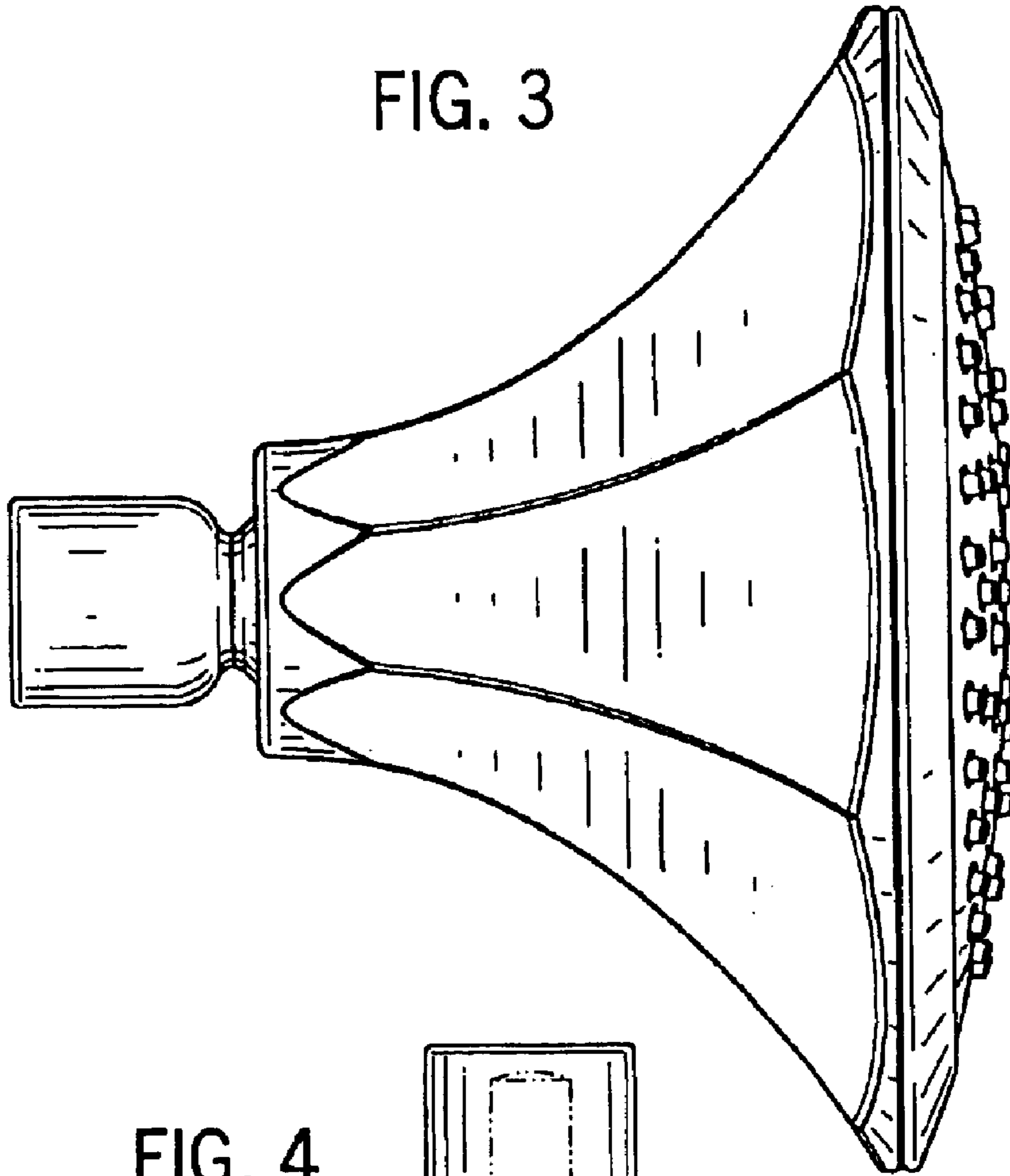


FIG. 4

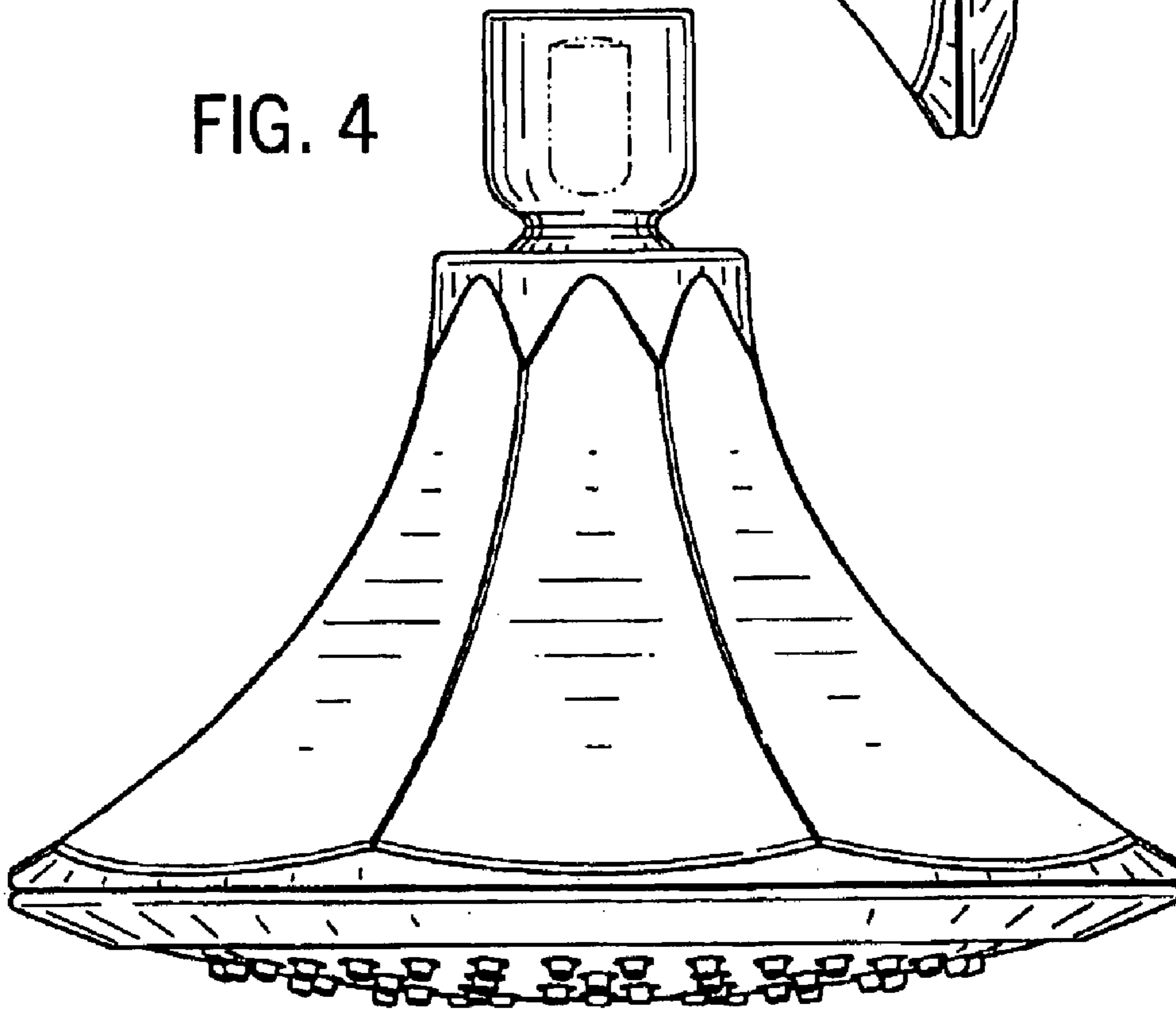


FIG. 5

