



US00D500838S

(12) **United States Design Patent** (10) **Patent No.:** **US D500,838 S**
Pavlik (45) **Date of Patent:** **** Jan. 11, 2005**

(54) **FIVE-ELEMENT MISTING NOZZLE**

(76) **Inventor:** **Seann Pavlik**, 1301 E. Broward Blvd.,
Fort Lauderdale, FL (US) 33301

(**) **Term:** **14 Years**

(21) **Appl. No.:** **29/185,718**

(22) **Filed:** **Jul. 3, 2003**

(51) **LOC (7) Cl. 23-01**

(52) **U.S. Cl. D23/213**

(58) **Field of Search D23/213, 214;**
239/548, 550

(56) **References Cited**

U.S. PATENT DOCUMENTS

- 5,651,502 A * 7/1997 Edwards 239/450
- D445,870 S * 7/2001 Palestrant D23/213
- D449,370 S * 10/2001 Palestrant D23/213
- 6,315,219 B1 * 11/2001 Palestrant 239/550

OTHER PUBLICATIONS

FOGCO SYSTEMS, INC. Professional Fog Systems,
Nozzles, online catalog, Thomas Publishing Company,
2003.

FOGCO Product Specifications, Catalog, ©2002 Fogco Sys-
tems, Inc.

* cited by examiner

Primary Examiner—Robin V. Taylor

(74) *Attorney, Agent, or Firm*—Nixon & Vanderhye P.C.

(57) **CLAIM**

The ornamental design for a five-element misting nozzle, as
shown and described.

DESCRIPTION

FIG. 1 is a perspective view of the inventive design.

FIG. 2 is a bottom axial plan view thereof.

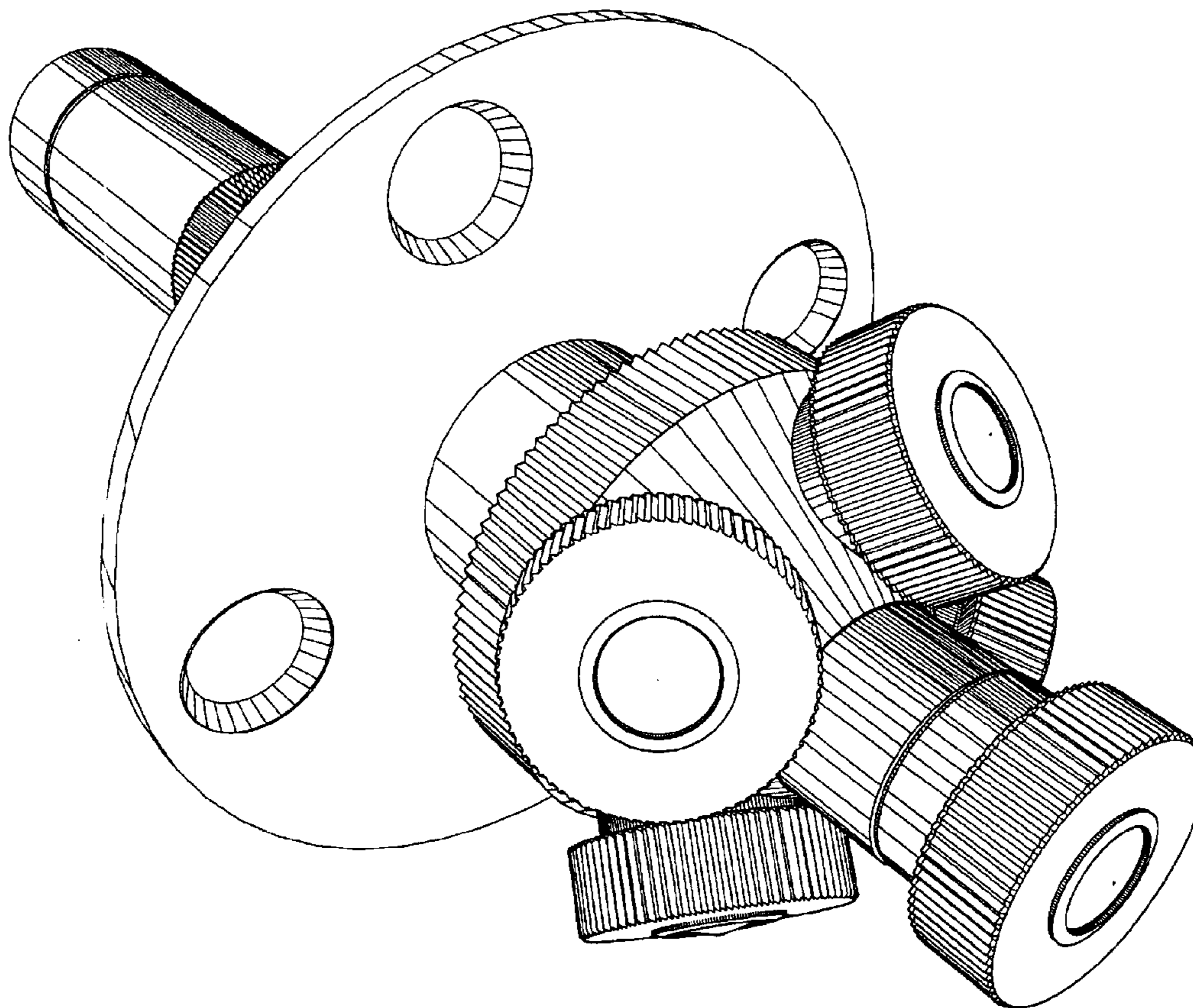
FIG. 3 is a top axial plan view of the inventive misting
nozzle.

FIG. 4 is a side elevational view thereof; and,

FIG. 5 is a view, similar to that of FIG. 4, however showing
the positioning thereof relative to a ceiling surface and water
conduit which are shown in phantom.

The broken line showing is for illustrative purposes only and
forms no part of the claimed design.

1 Claim, 5 Drawing Sheets



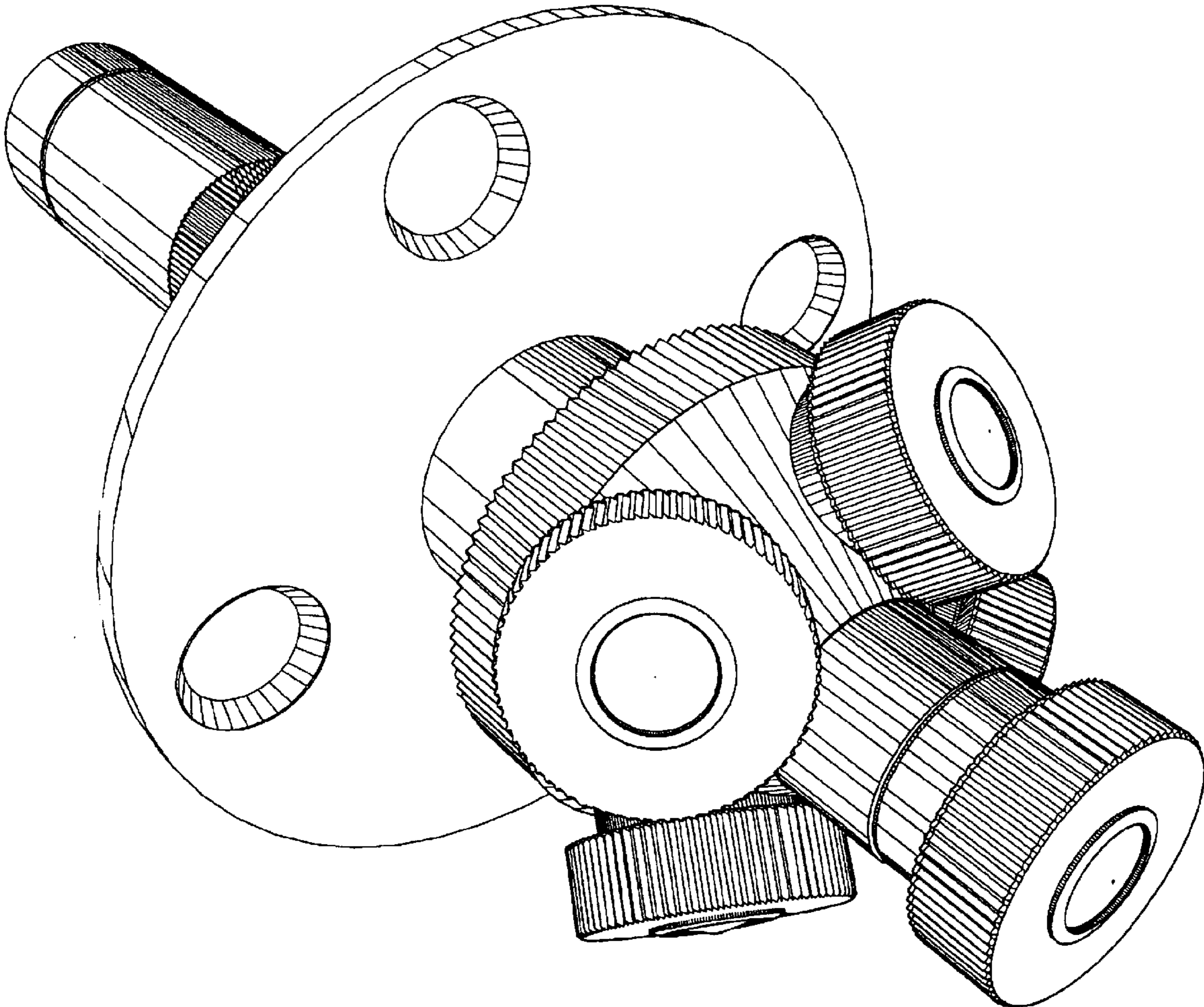


FIG. 1

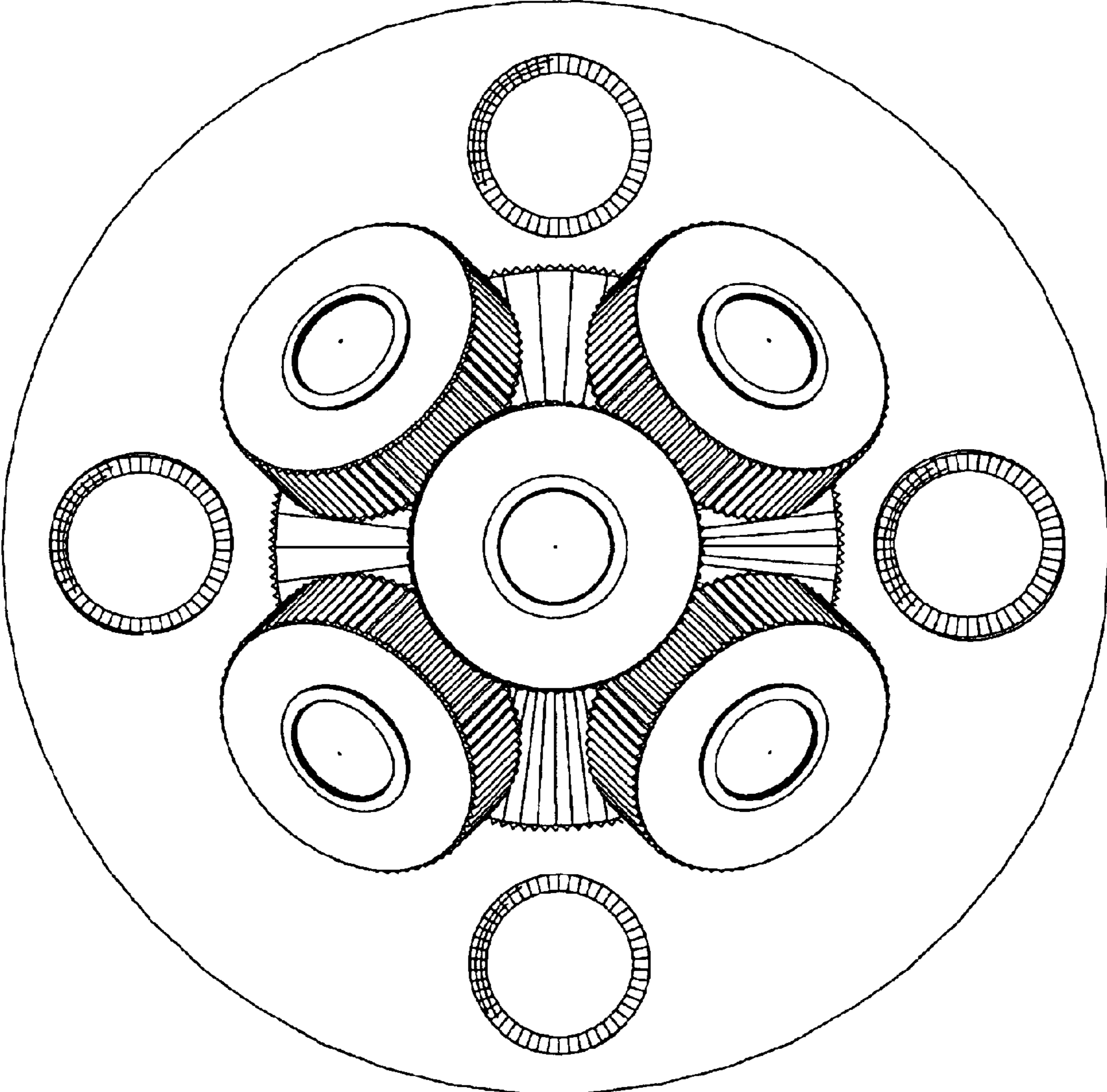


FIG. 2

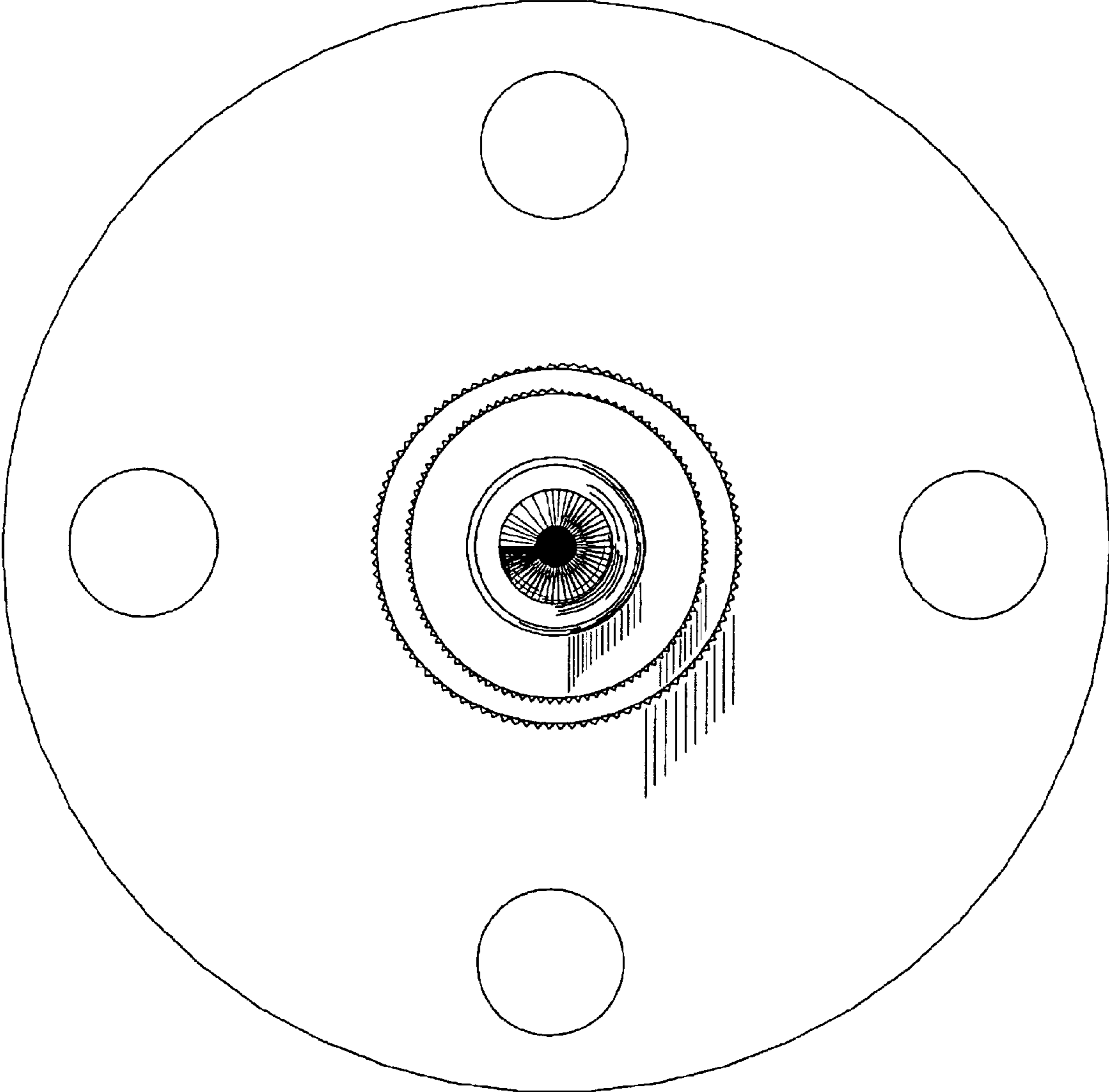


FIG. 3

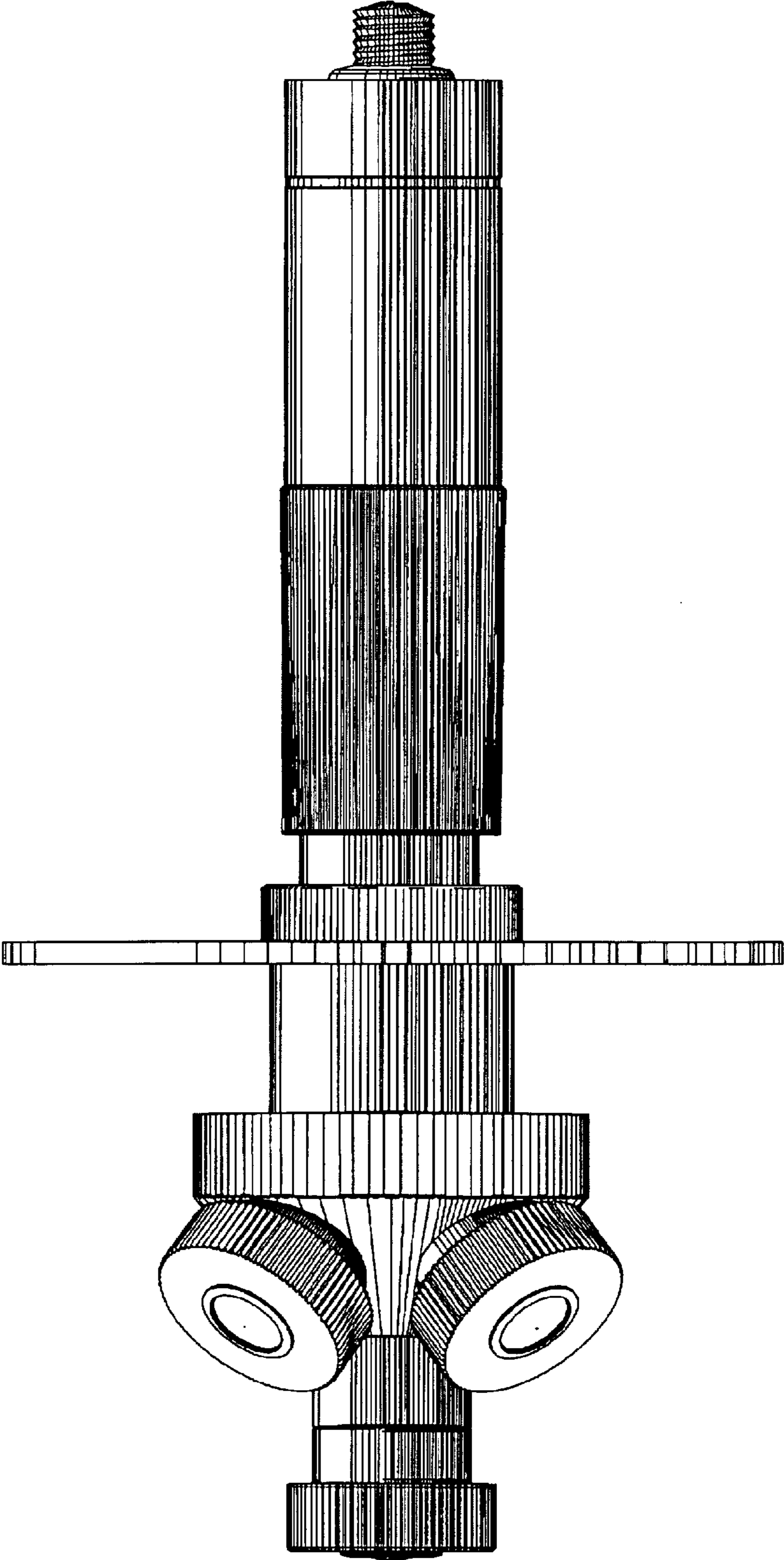


FIG. 4

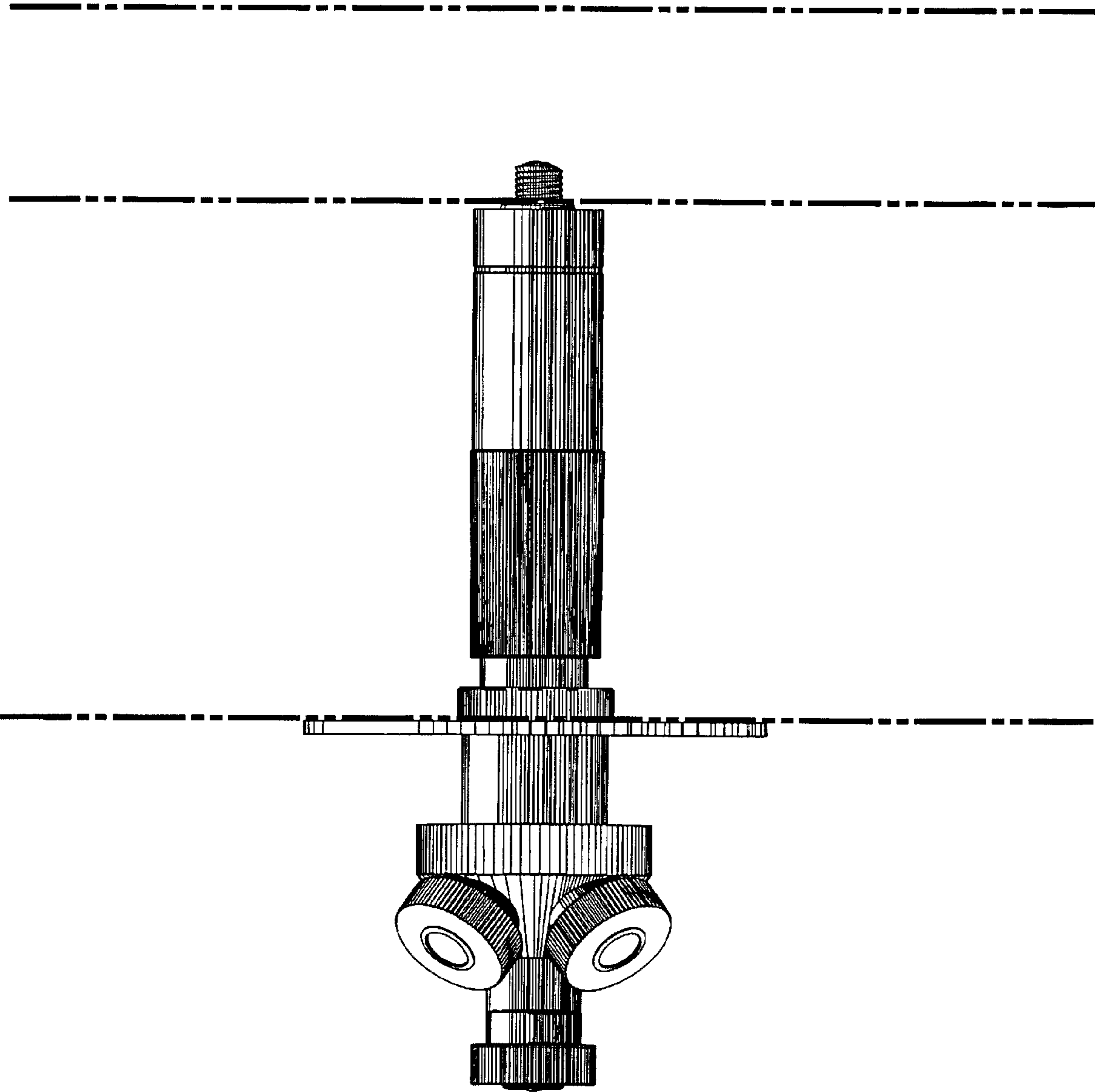


FIG. 5