

US00D500837S

(12) **United States Design Patent**
Pinkston et al.

(10) **Patent No.: US D500,837 S**
(45) **Date of Patent: ** Jan. 11, 2005**

(54) **SHOWER ARM**

(75) Inventors: **David L. Pinkston**, Romulus, MI (US);
Charles P. Mistovich, Bluffton, OH
(US)

(73) Assignee: **Alsons Corporation**, Hillsdale, MI
(US)

(**) Term: **14 Years**

(21) Appl. No.: **29/179,036**

(22) Filed: **Apr. 3, 2003**

(51) **LOC (7) Cl.** **23-01**

(52) **U.S. Cl.** **D23/213; D23/304**

(58) **Field of Search** D23/213, 229,
D23/230; 239/280, 280.5; 4/605, 615

(56) **References Cited**

U.S. PATENT DOCUMENTS

D215,288 S * 9/1969 Theblay D23/230

D260,809 S * 9/1981 Fleischmann et al. D23/229
6,192,529 B1 * 2/2001 Jones et al. 4/615
6,276,004 B1 * 8/2001 Bertrand et al. 4/615
6,464,265 B1 * 10/2002 Mikol 285/333

* cited by examiner

Primary Examiner—Robin V. Taylor

(74) *Attorney, Agent, or Firm*—Edgar A. Zarins; Lloyd D.
Doigan

(57) **CLAIM**

The ornamental design for a shower arm, as shown and
described.

DESCRIPTION

FIG. 1 is a perspective view of a shower arm showing our
new design;

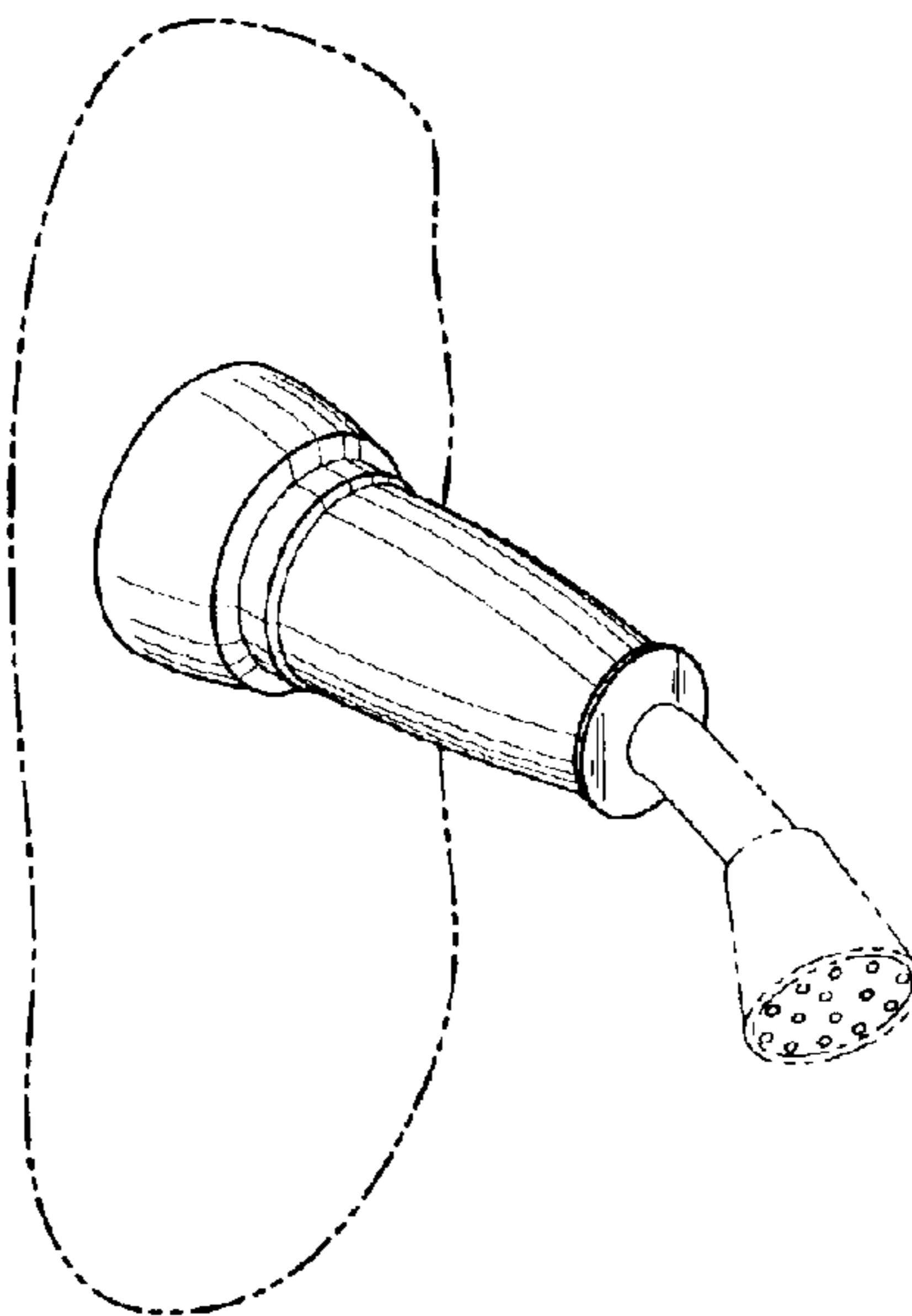
FIG. 2 is an enlarged perspective view thereof;

FIG. 3 is a side view thereof;

FIG. 4 is a front end view thereof; and,

FIG. 5 is a rear end view thereof.

1 Claim, 2 Drawing Sheets



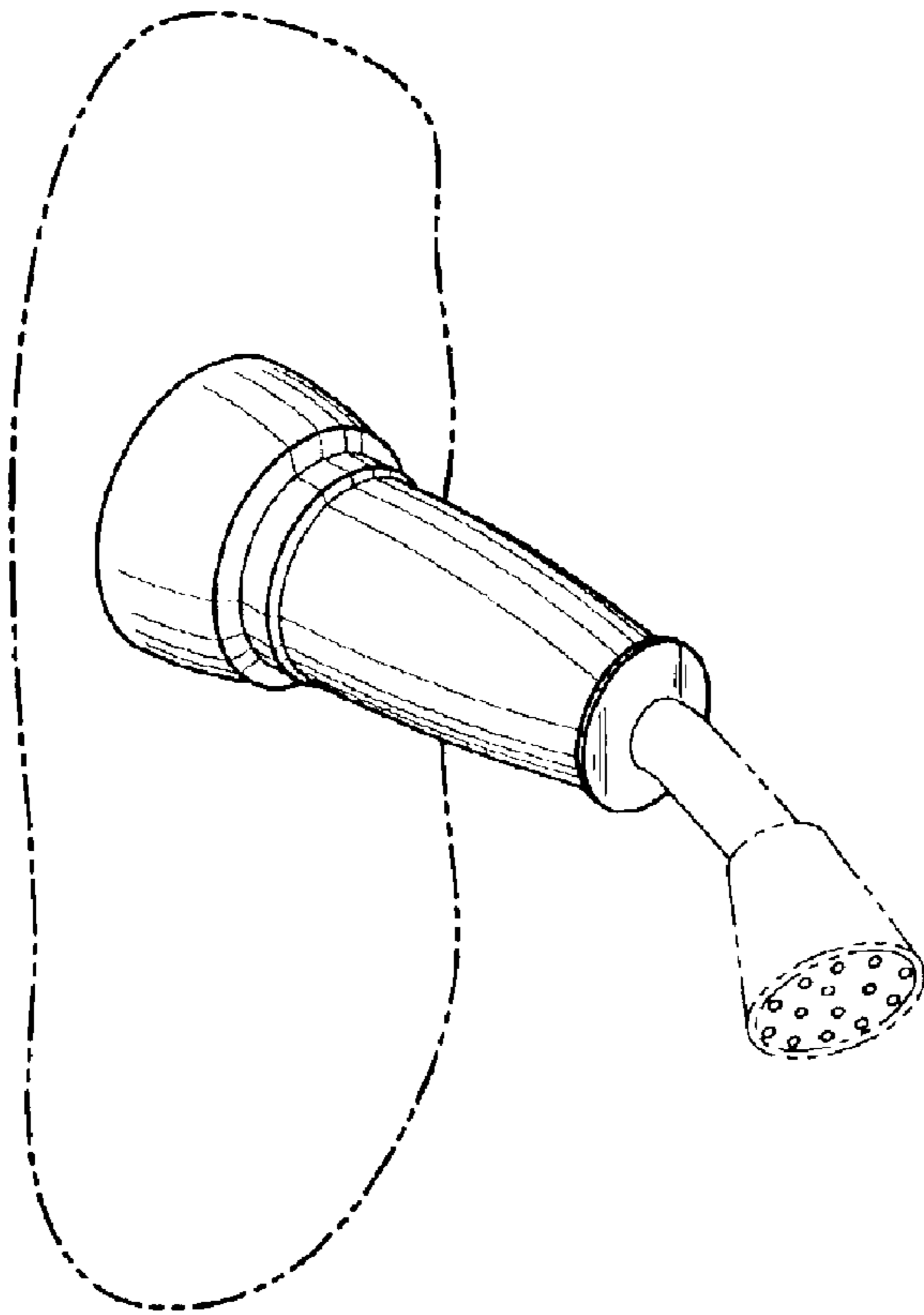


Fig-1

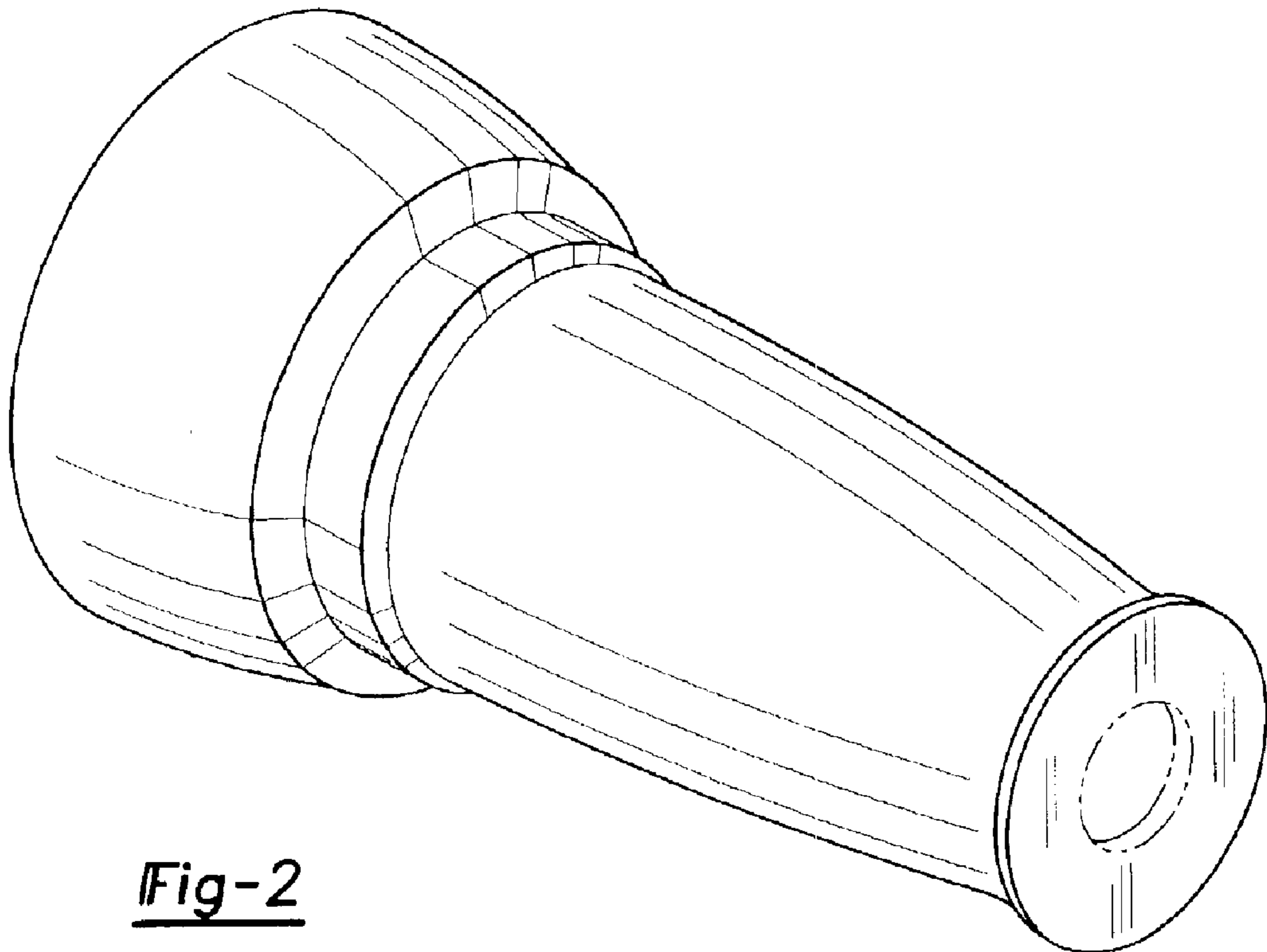


Fig-2

Fig-3

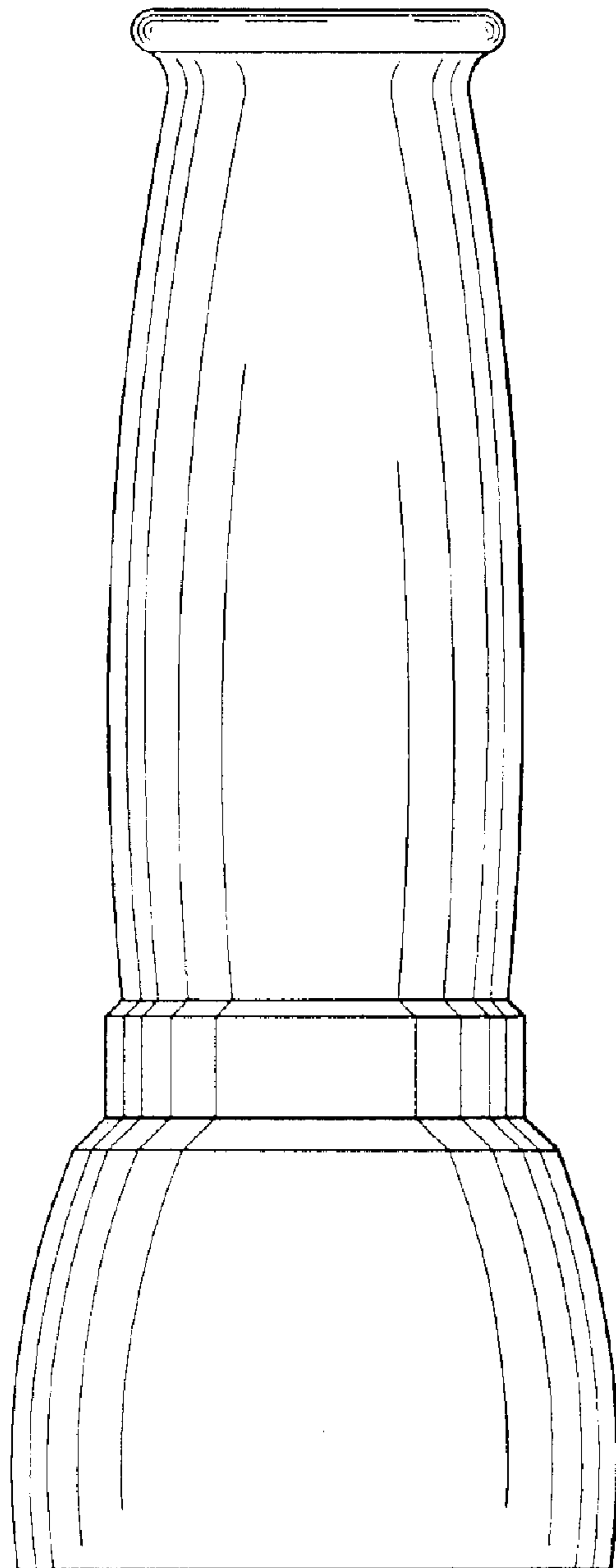


Fig-5

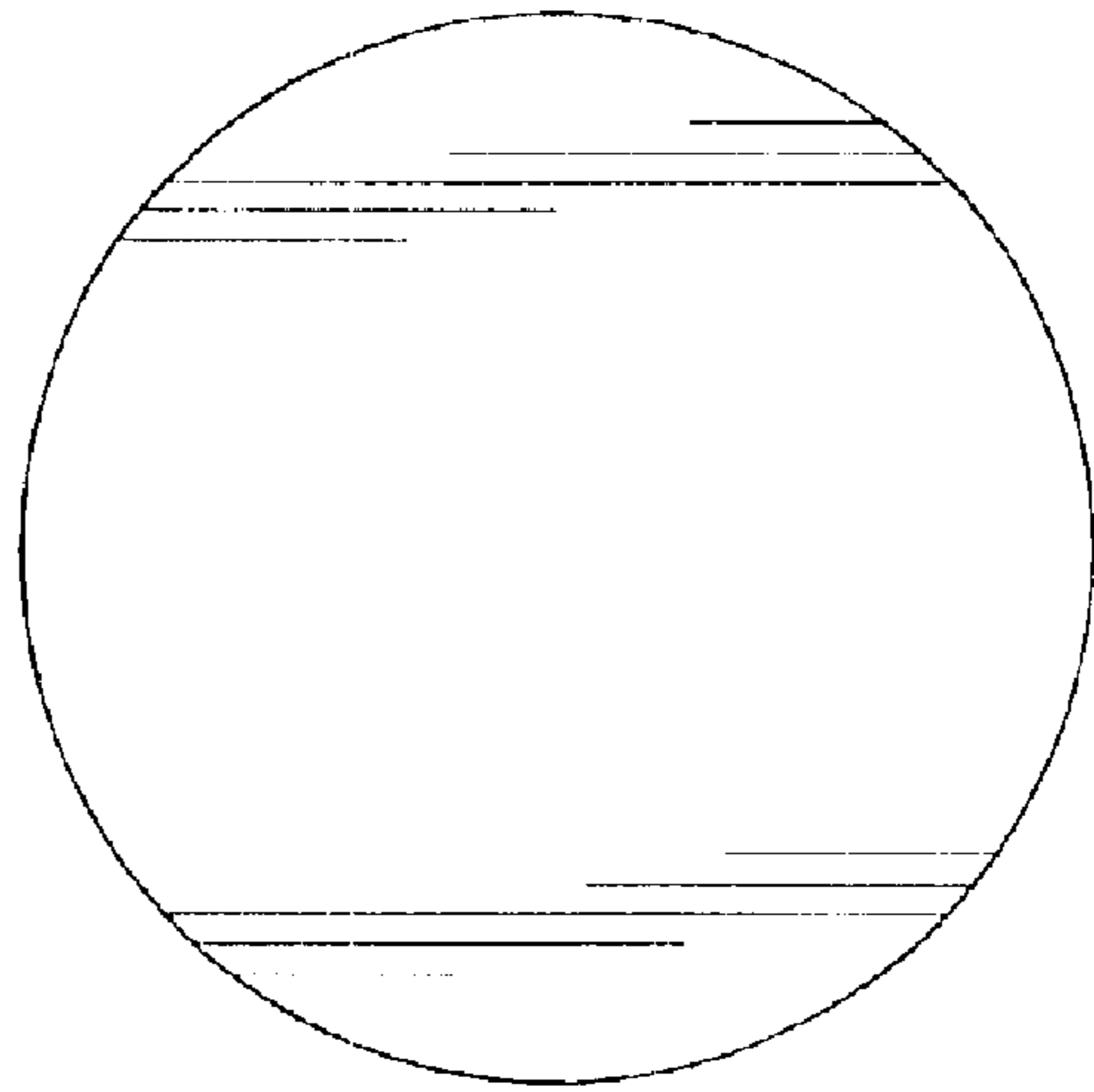


Fig-4

