

US00D500835S

(12) **United States Design Patent**
Iwabuchi

(10) **Patent No.:** **US D500,835 S**
(45) **Date of Patent:** **** Jan. 11, 2005**

(54) **FISHING REEL**

(75) **Inventor:** **Masakazu Iwabuchi**, Tondabayashi (JP)

(73) **Assignee:** **Shimano Inc.**, Osaka (JP)

(**) **Term:** **14 Years**

(21) **Appl. No.:** **29/195,662**

(22) **Filed:** **Dec. 17, 2003**

(30) **Foreign Application Priority Data**

Jun. 30, 2003 (JP) 2003-018644

(51) **LOC (7) Cl.** **22-05**

(52) **U.S. Cl.** **D22/141**

(58) **Field of Search** D22/141, 140,
D22/137; 242/223, 224, 234, 370, 311,
322

(56) **References Cited**

U.S. PATENT DOCUMENTS

D405,154 S	*	2/1999	Iwabuchi	D22/141
D423,635 S	*	4/2000	Robbins	D22/141
D443,019 S	*	5/2001	Kang et al.	D22/141
6,629,655 B2	*	10/2003	Kitajima	242/311
2004/0075004 A1	*	4/2004	Miyasaka et al.	242/223

* cited by examiner

Primary Examiner—Catherine R. Oliver
(74) *Attorney, Agent, or Firm*—Shinju Global IP Counselors, LLP

(57) **CLAIM**

The ornamental design for a fishing reel, as shown and described.

DESCRIPTION

FIG. 1 is a front view of a fishing reel in accordance with my new design;
FIG. 2 is a rear view of the fishing reel in accordance with my new design;
FIG. 3 is a left side view of the fishing reel in accordance with my new design;
FIG. 4 is a right side view of the fishing reel in accordance with my new design;
FIG. 5 is a top plan view of the fishing reel in accordance with my new design;
FIG. 6 is a bottom plan view of the fishing reel in accordance with my new design;
FIG. 7 is a right side perspective view of the fishing reel in accordance with my new design;
FIG. 8 is a left side perspective view of the fishing reel in accordance with my new design;
FIG. 9 is a cross sectional view of the fishing reel shown along line 9—9 of FIG. 1; and,
FIG. 10 is a cross sectional view of the fishing reel shown along line 10—10 of FIG. 5.

1 Claim, 5 Drawing Sheets

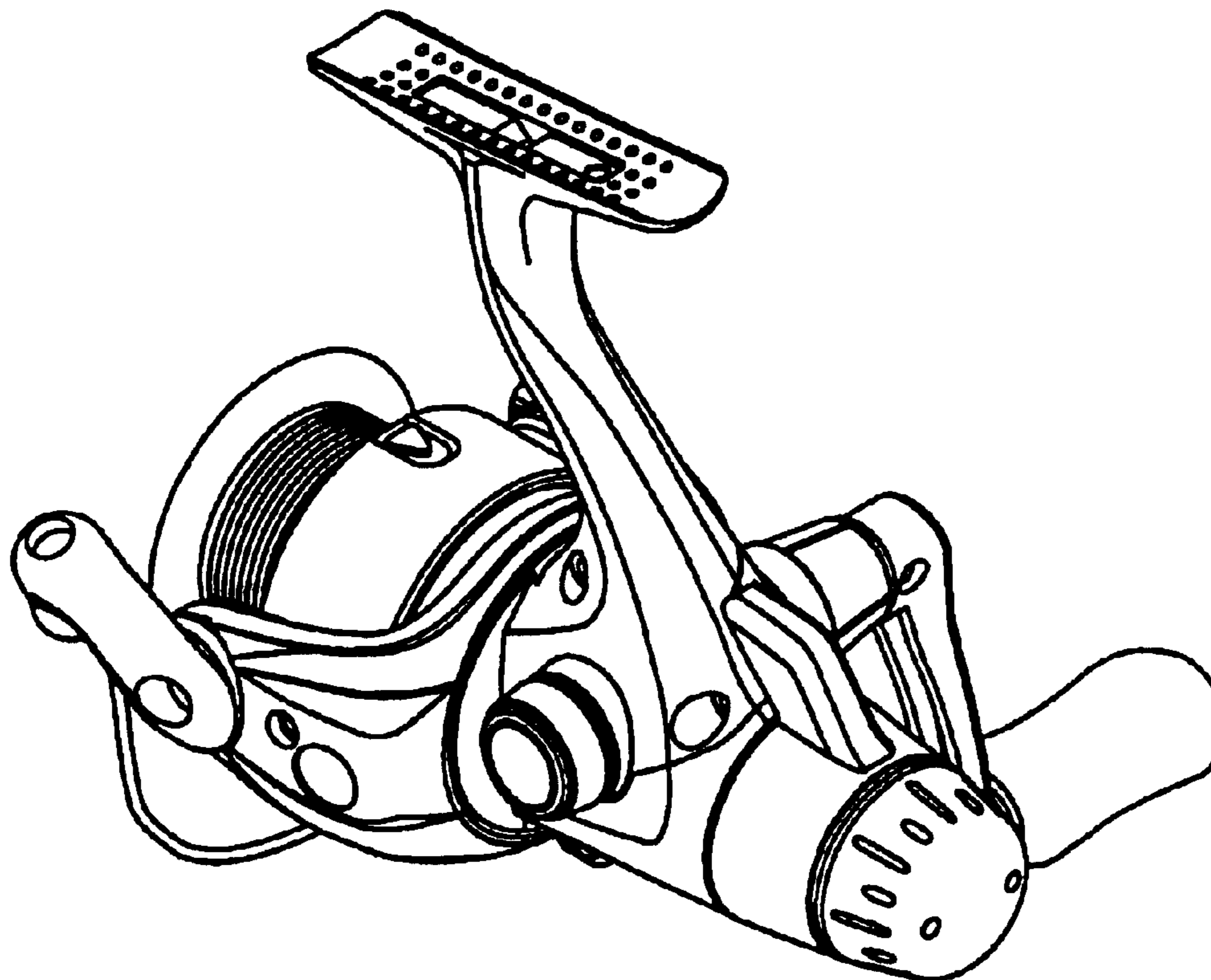


FIGURE 1

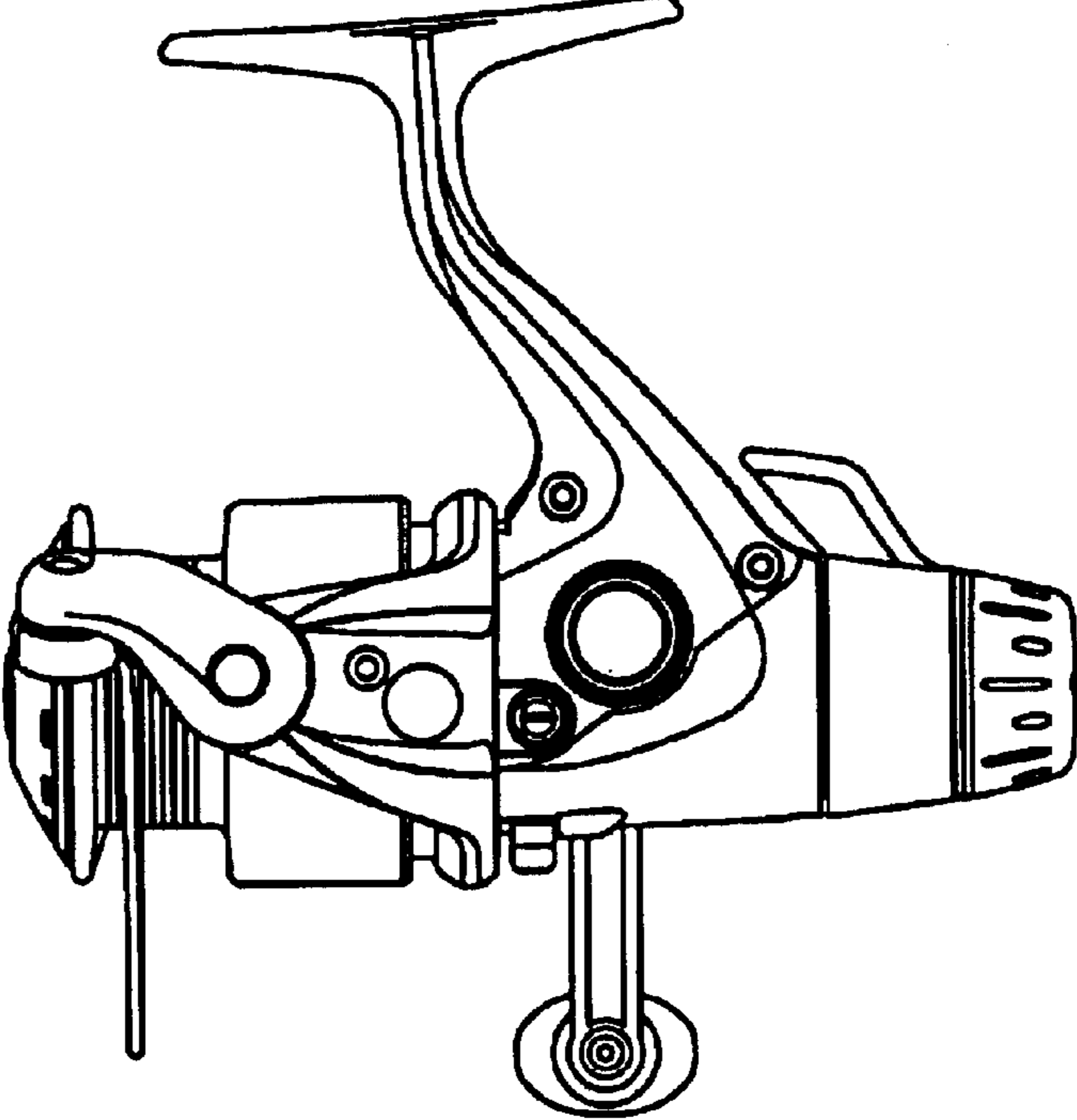


FIGURE 2

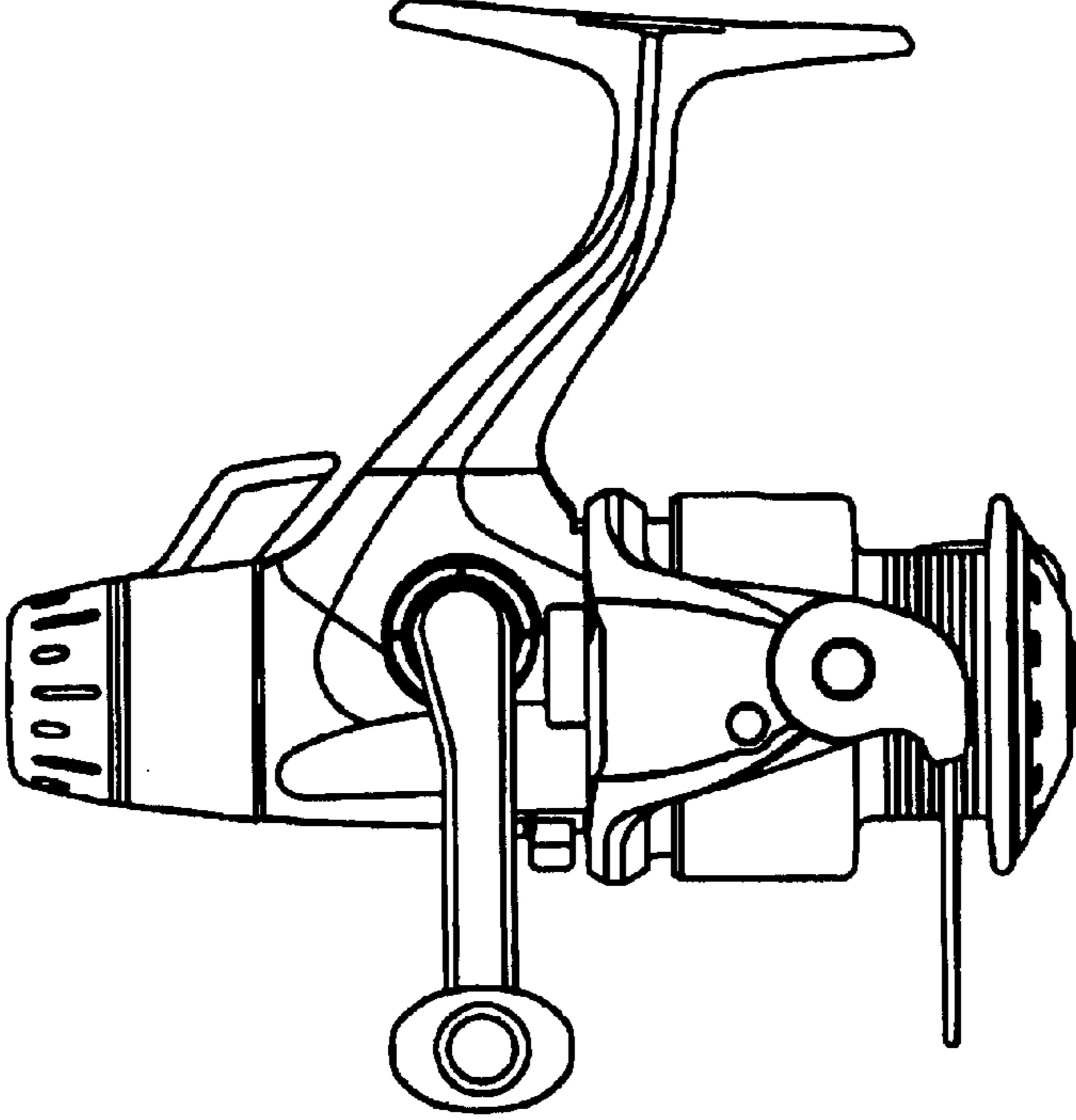


FIGURE 3

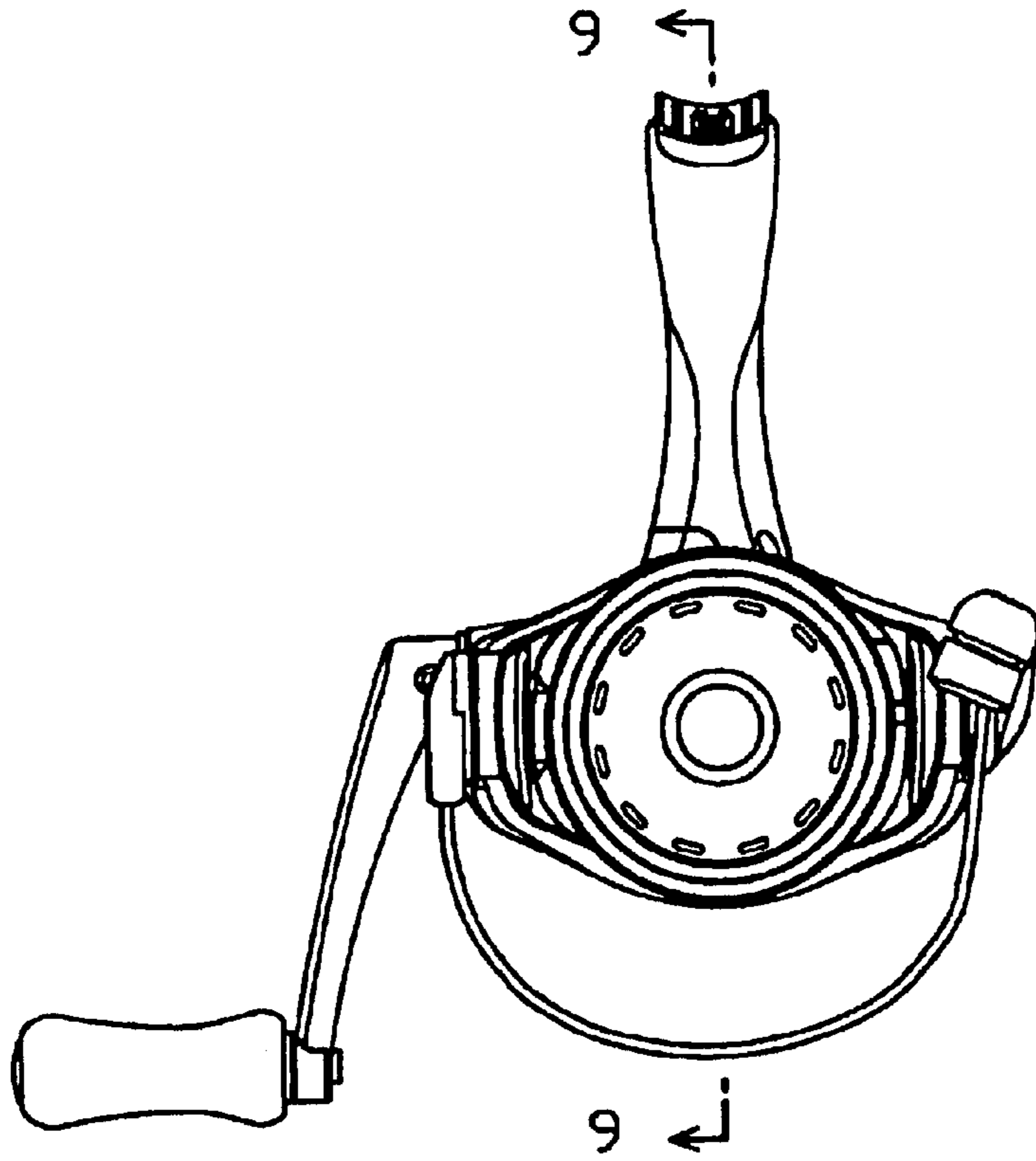


FIGURE 4

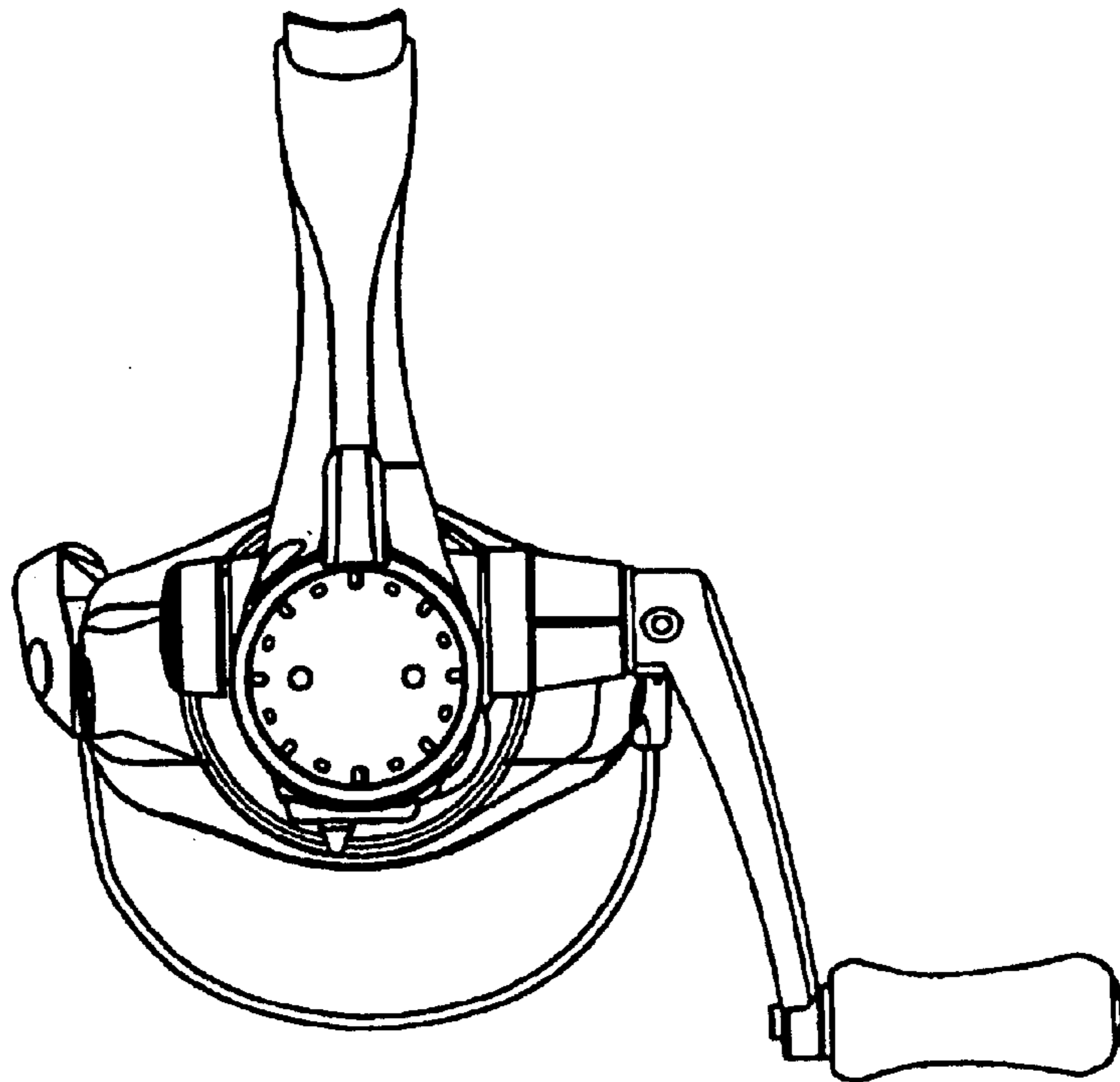


FIGURE 5

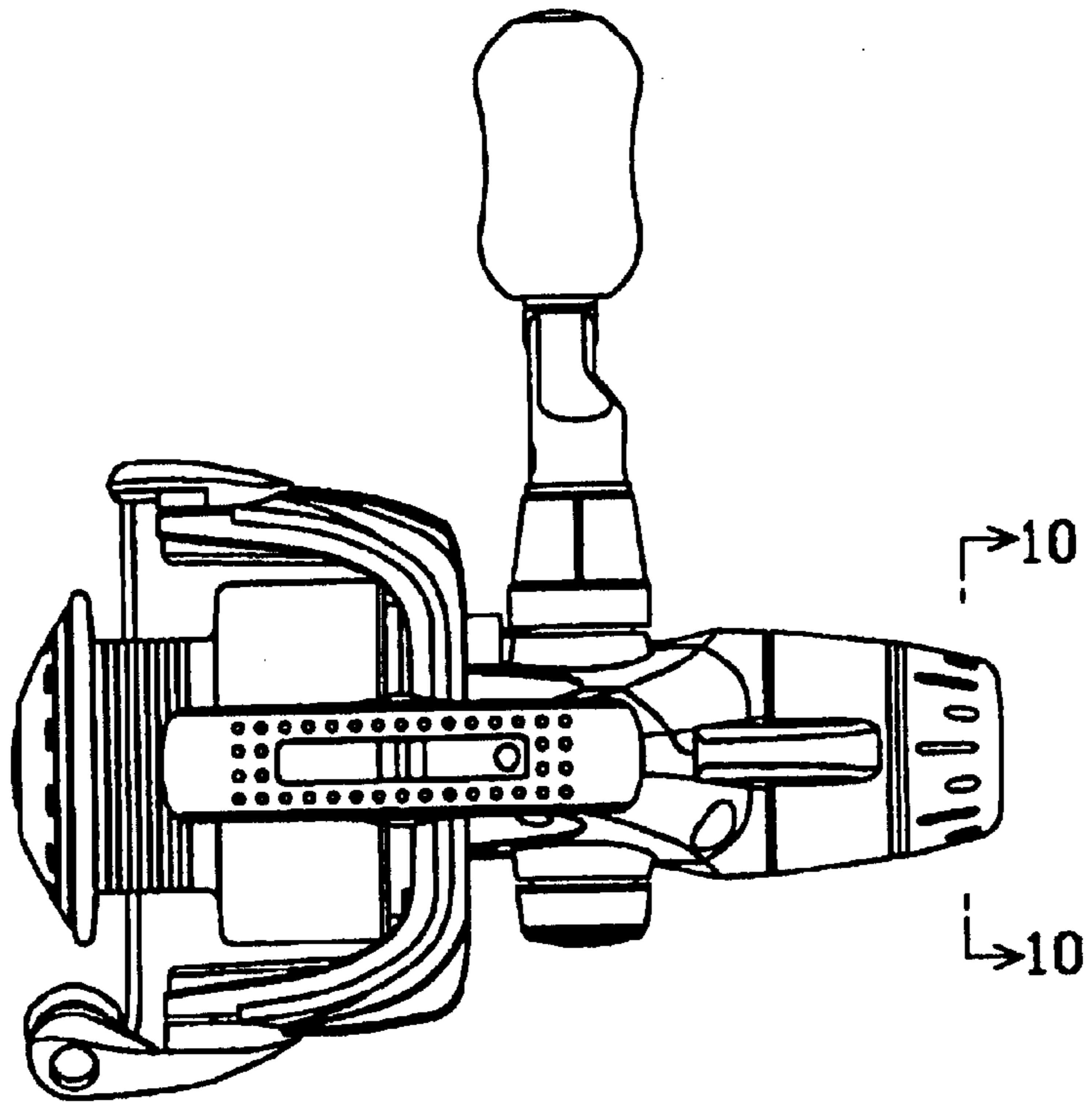


FIGURE 6

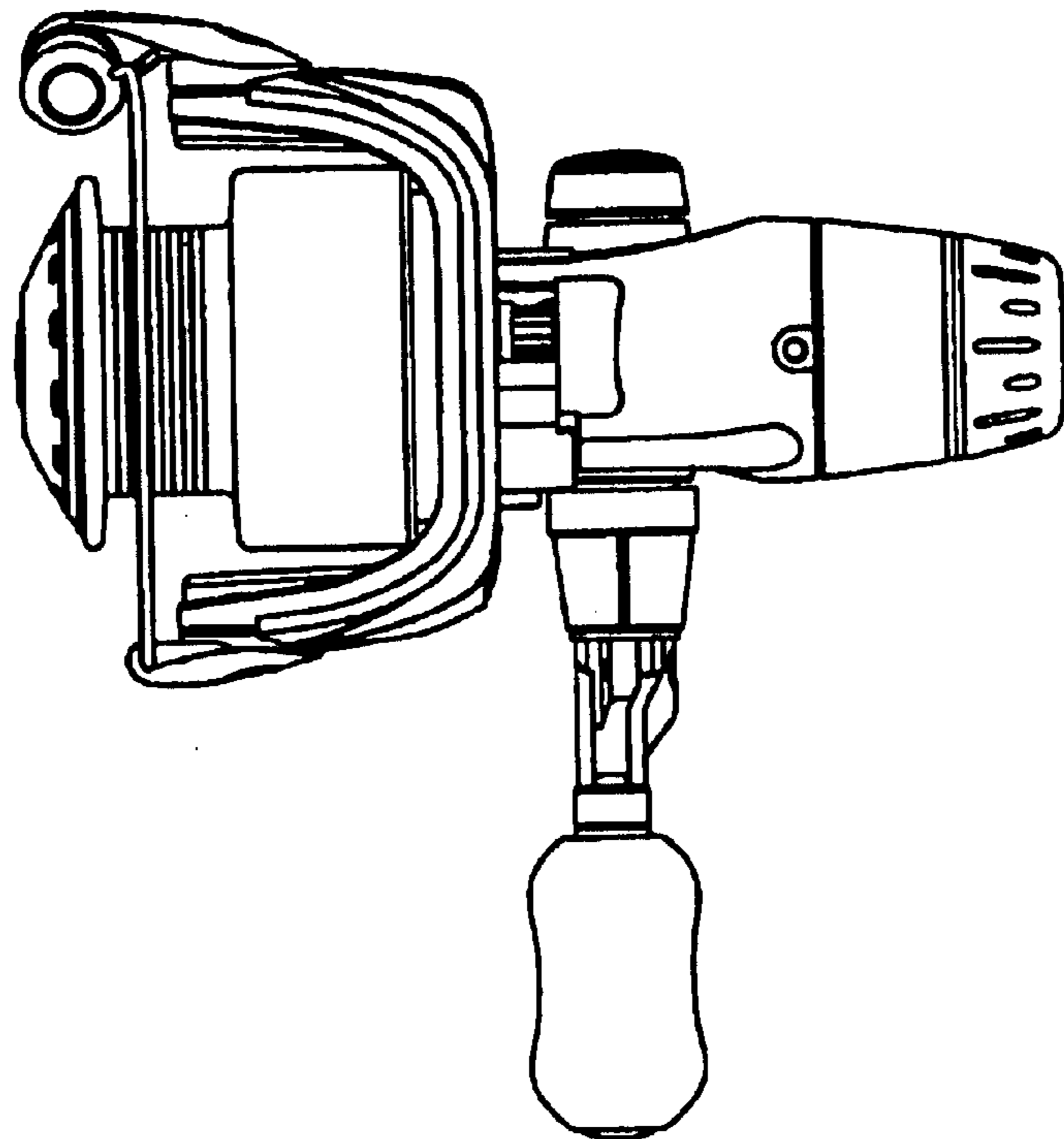


FIGURE 7

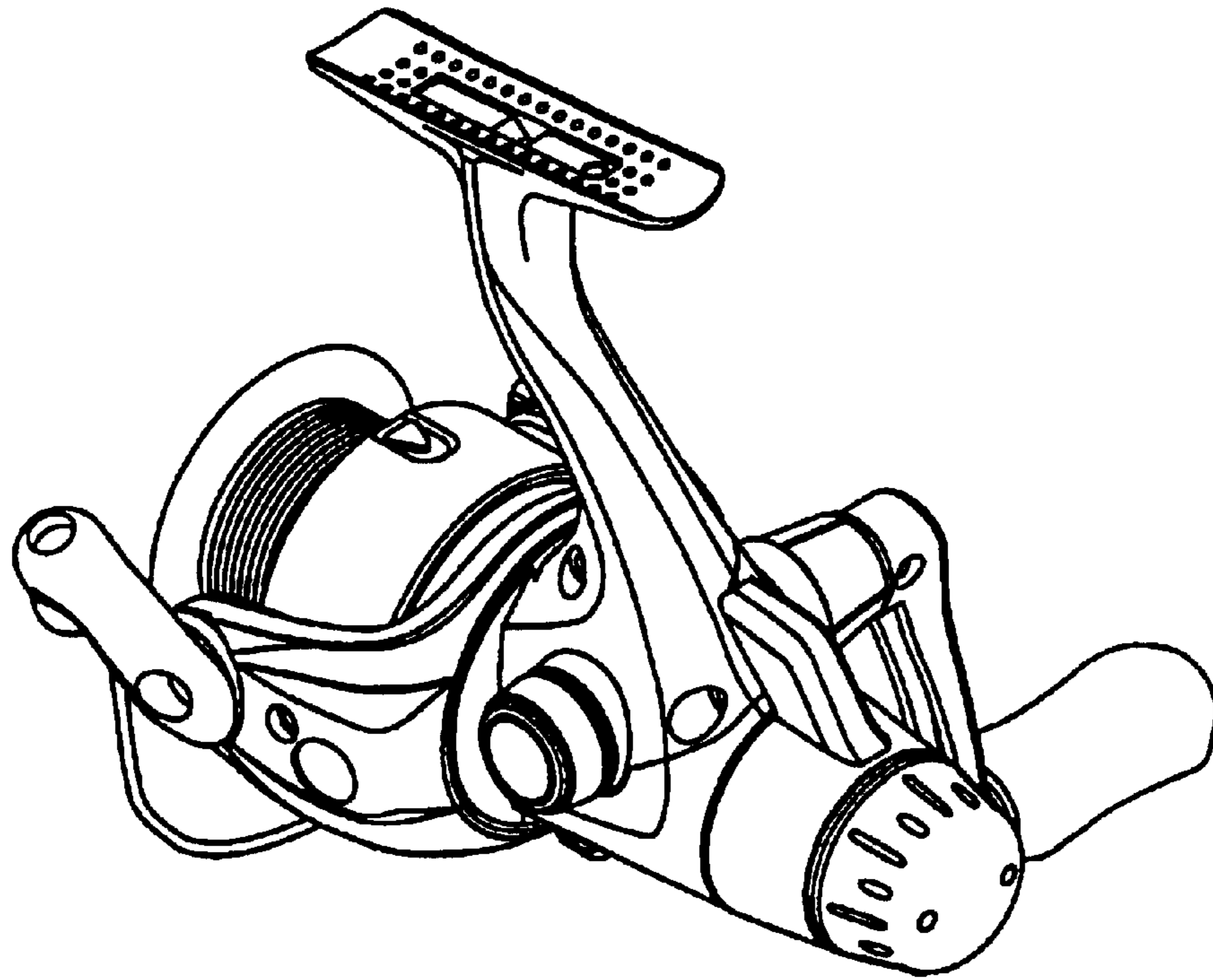


FIGURE 8

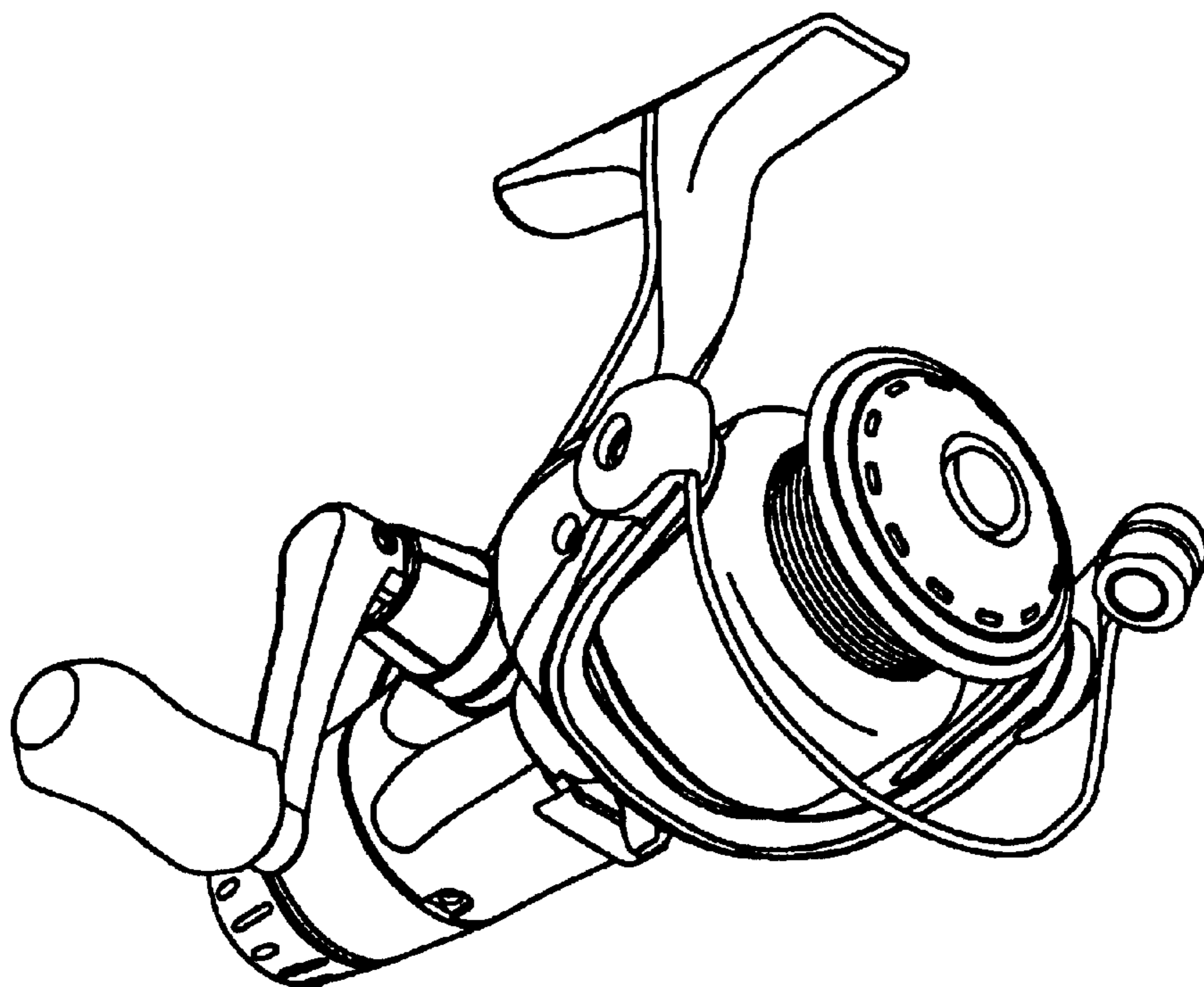


FIGURE 9

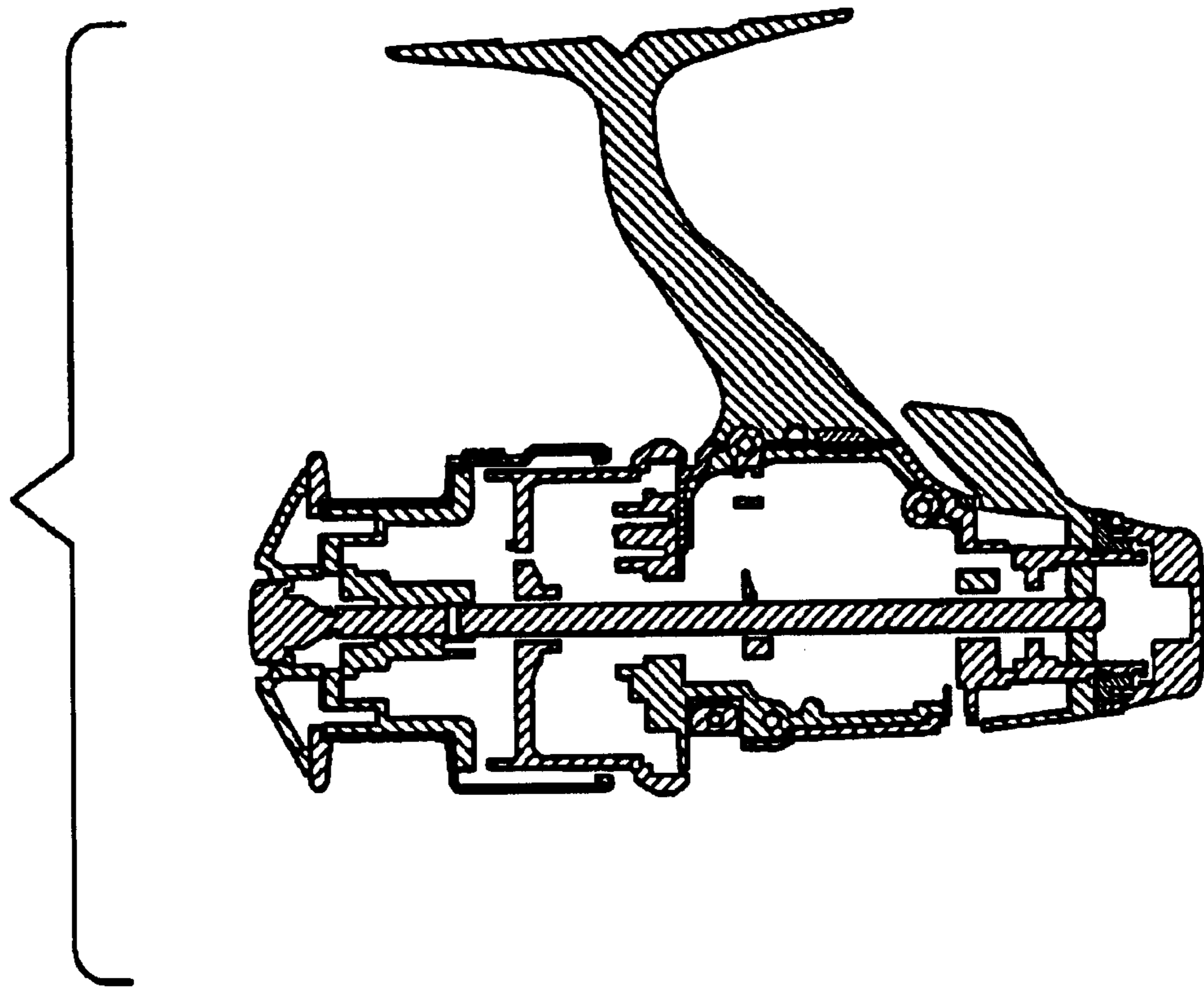


FIGURE 10

