

US00D500820S

(12) **United States Design Patent**  
**Krull**

(10) **Patent No.:** **US D500,820 S**  
(45) **Date of Patent:** **\*\* Jan. 11, 2005**

(54) **SELECTORIZED DUMBBELL HANDLE**

6,416,446 B1 \* 7/2002 Krull ..... 482/108  
6,422,979 B1 \* 7/2002 Krull ..... 482/98

(76) Inventor: **Mark A. Krull**, P.O. Box 7198, Bend,  
OR (US) 97708

\* cited by examiner

(\*\*) Term: **14 Years**

*Primary Examiner*—Philip S. Hyder

(21) Appl. No.: **29/187,305**

(57) **CLAIM**

(22) Filed: **Jul. 29, 2003**

I claim the ornamental design for a selectorized dumbbell handle, as shown and described.

(51) **LOC (7) Cl.** ..... **21-02**

**DESCRIPTION**

(52) **U.S. Cl.** ..... **D21/681**

(58) **Field of Search** ..... D21/662, 680,  
D21/681, 682, 683, 684; 482/106, 107,  
108

FIG. 1 is a perspective view of the selectorized dumbbell handle according to my new design;

FIG. 2 is a top view of the selectorized dumbbell handle of FIG. 1;

FIG. 3 is a bottom view of the selectorized dumbbell handle of FIG. 1;

FIG. 4 is a side view of the selectorized dumbbell handle of FIG. 1;

FIG. 5 is an opposite side view of the selectorized dumbbell handle of FIG. 1; and,

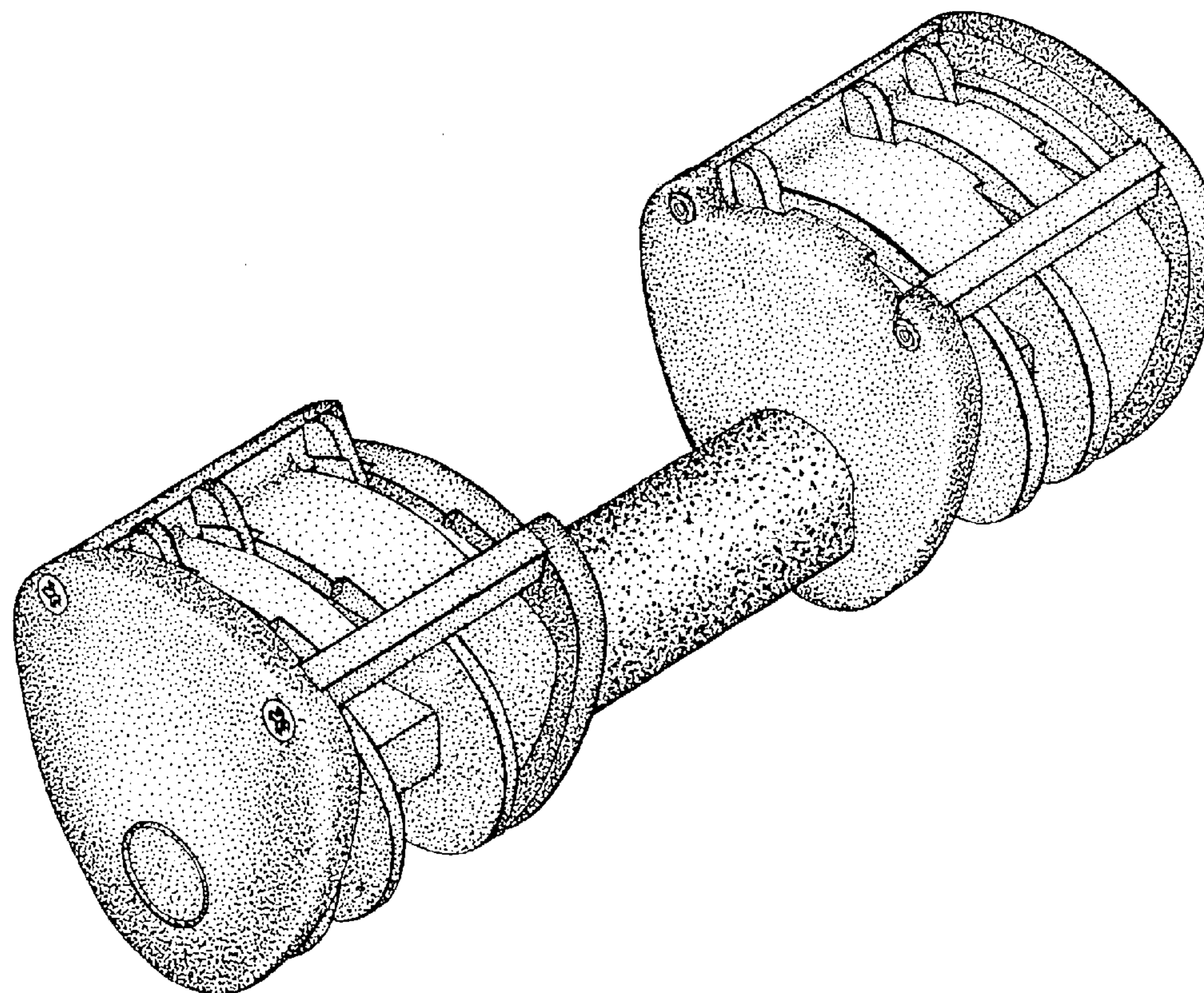
FIG. 6 is an end view of the selectorized dumbbell handle of FIG. 1 (the opposite end view being a mirror image thereof).

(56) **References Cited**

**U.S. PATENT DOCUMENTS**

5,637,064	A	*	6/1997	Olson et al.	.....	482/108
D422,654	S	*	4/2000	Chen	.....	D21/681
6,149,558	A	*	11/2000	Chen	.....	482/107
6,186,928	B1	*	2/2001	Chen	.....	482/107
6,228,003	B1	*	5/2001	Hald et al.	.....	482/107
6,261,022	B1	*	7/2001	Dalebout et al.	.....	482/107
6,322,481	B1	*	11/2001	Krull	.....	482/107

**1 Claim, 6 Drawing Sheets**



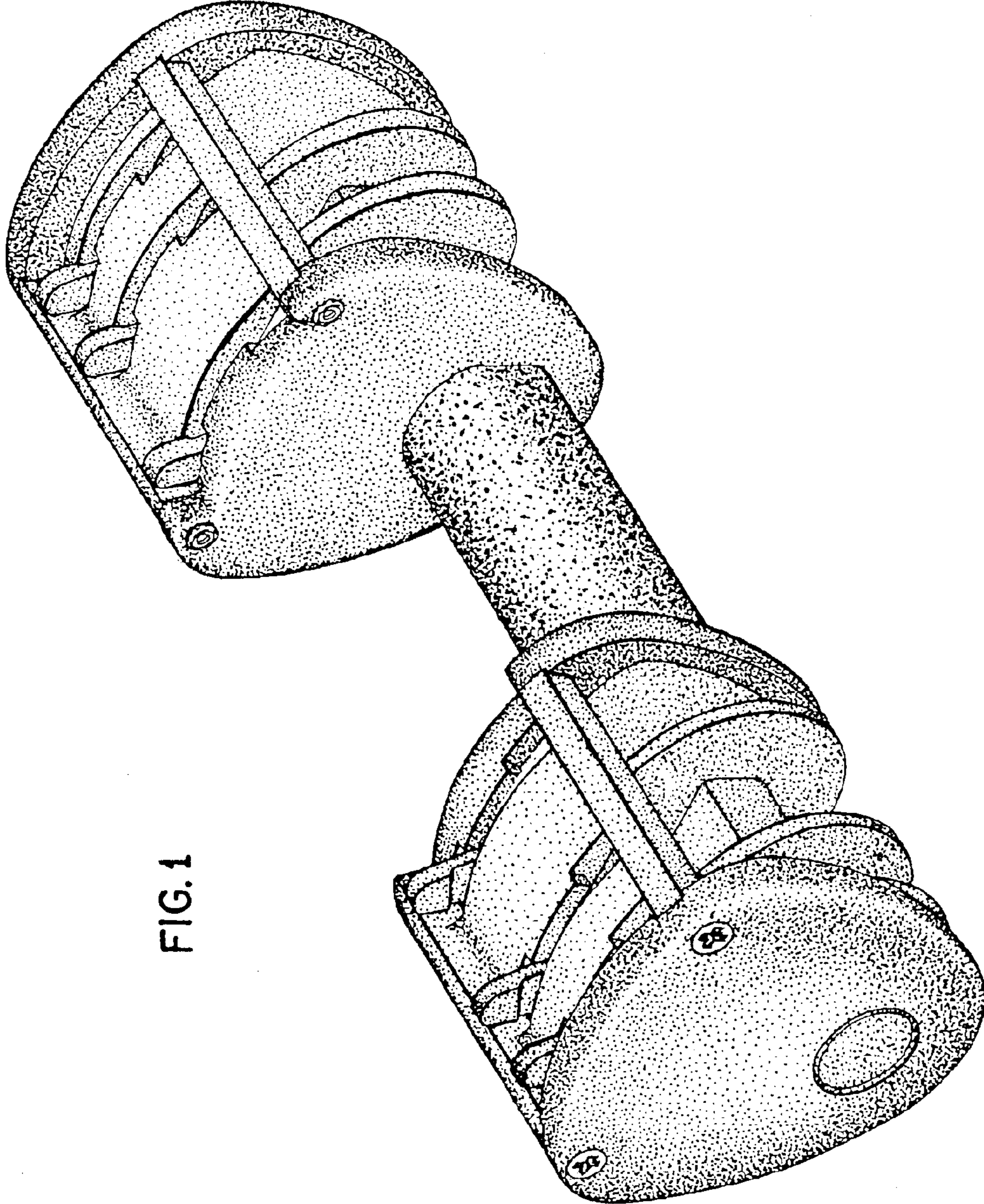


FIG. 1

FIG. 2

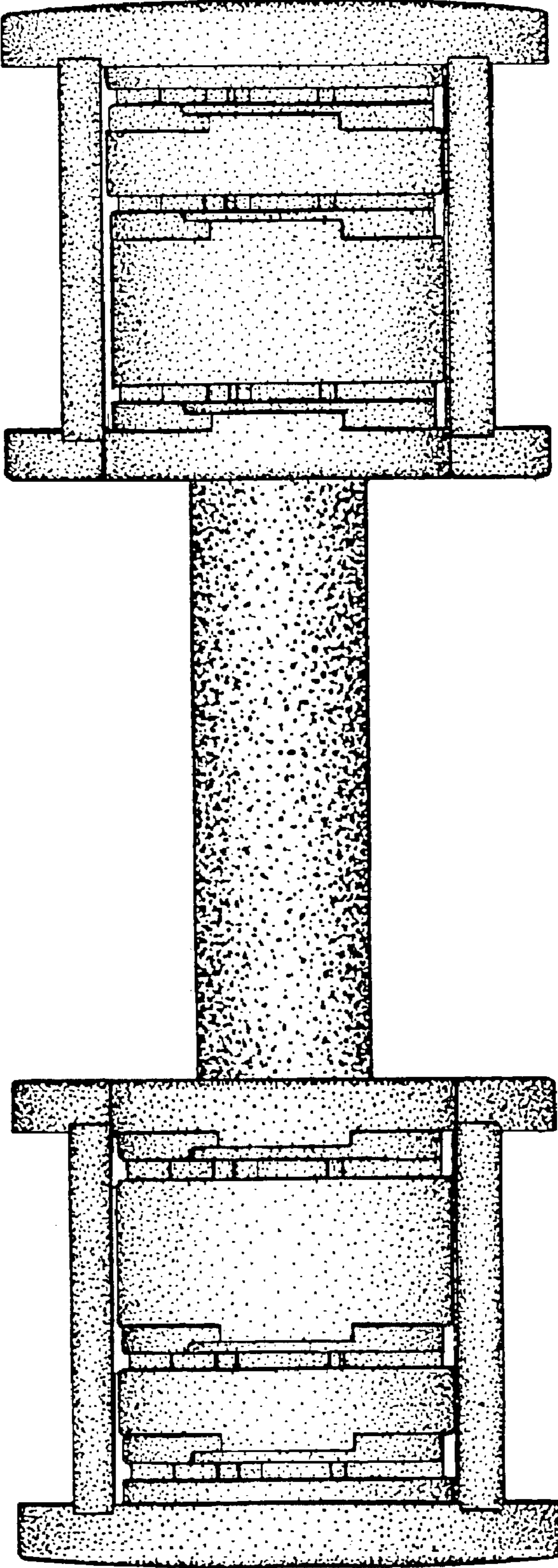


FIG. 3

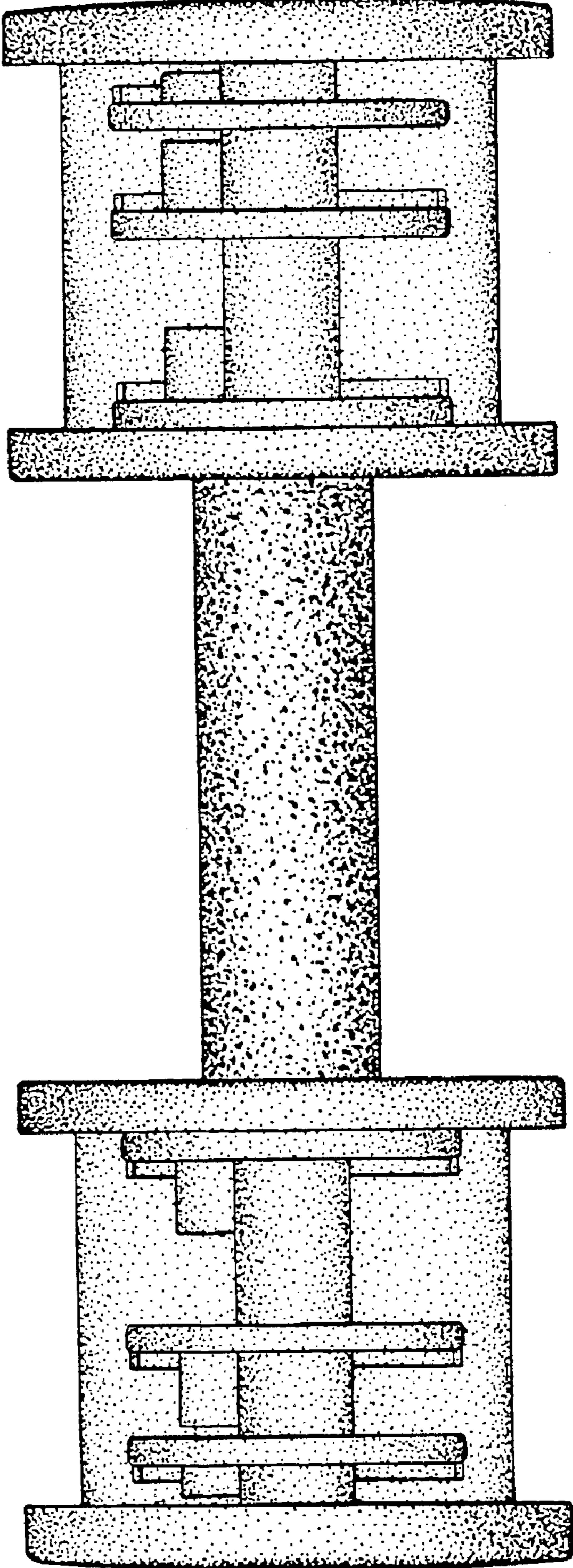


FIG. 4

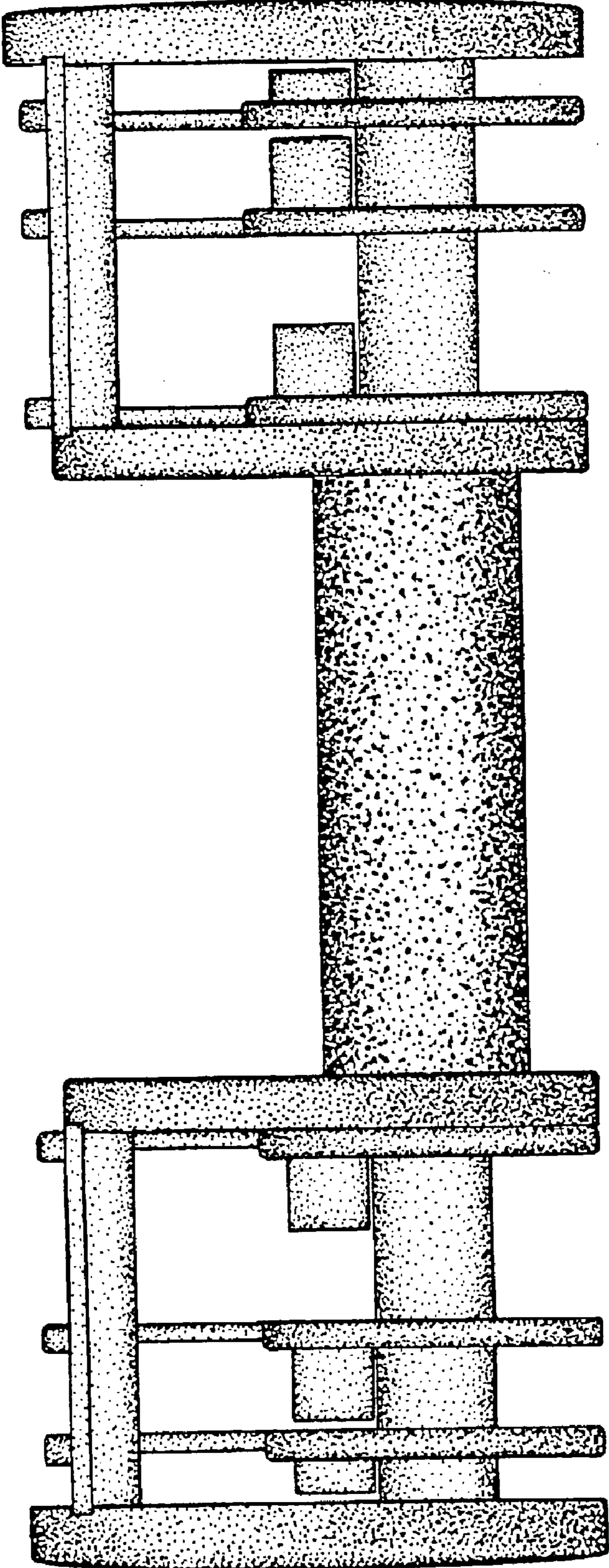


FIG. 5

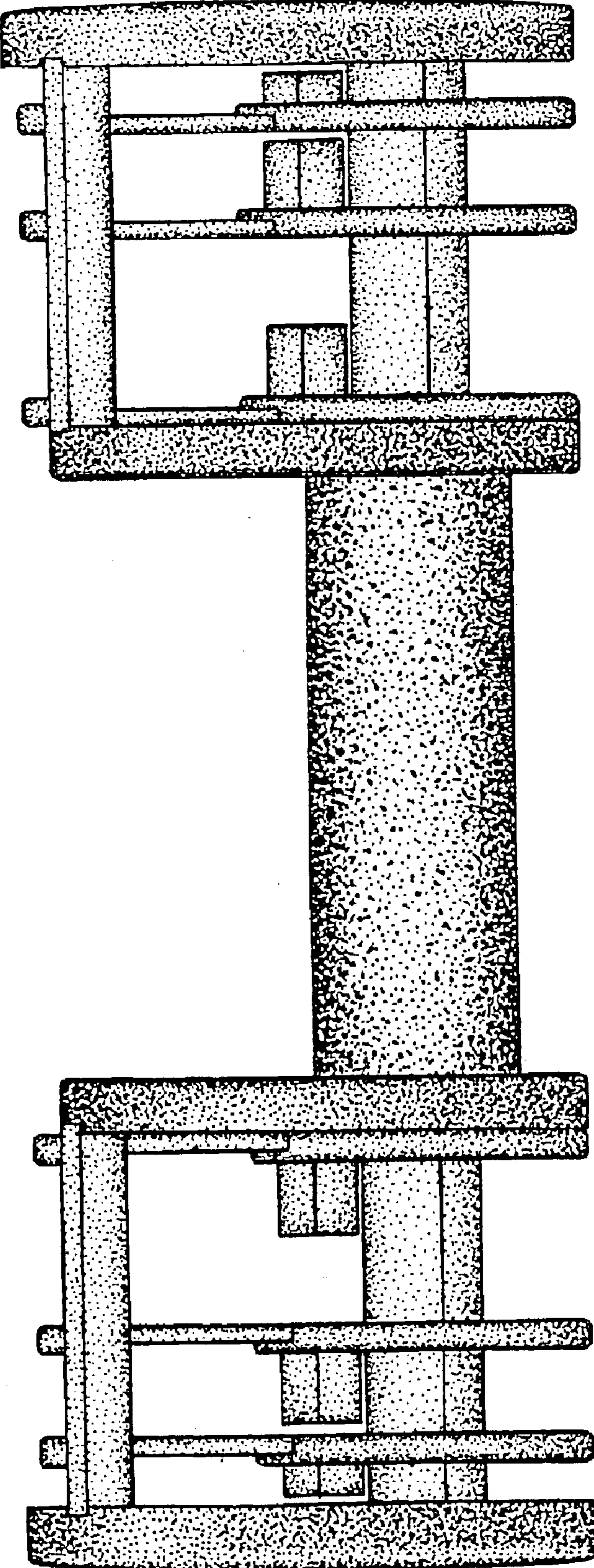


FIG. 6

