

US00D500815S

(12) **United States Design Patent**  
**Tabor**

(10) **Patent No.:** **US D500,815 S**

(45) **Date of Patent:** **\*\* Jan. 11, 2005**

(54) **KITE**

(76) **Inventor:** **Don Tabor**, 556 Florence St., Imperial Beach, CA (US) 91932

(\*\*) **Term:** **14 Years**

(21) **Appl. No.:** **29/184,003**

(22) **Filed:** **Jun. 18, 2003**

(51) **LOC (7) Cl.** ..... **21-01**

(52) **U.S. Cl.** ..... **D21/453; D21/445**

(58) **Field of Search** ..... **D21/436-454;**  
446/30-68, 487-490; 244/153 R, 154, 153 A,  
155 R, 155 A, 900-903

(56) **References Cited**

**U.S. PATENT DOCUMENTS**

607,129 A *	7/1898	Potter	244/153 R
770,626 A	9/1904	Bell	
856,838 A *	6/1907	Bell et al.	52/655.1
2,059,634 A *	11/1936	Fisher, Jr.	244/153 R
2,386,762 A	10/1945	Wheelwright	244/153
2,744,701 A	5/1956	Robey	244/153
3,039,722 A	6/1962	Eustis	244/153
3,250,500 A *	5/1966	Hall	244/153 R
3,468,503 A	9/1969	Snibbe	244/153
3,494,578 A	2/1970	Cureton	244/153
3,894,704 A *	7/1975	Vincent	244/153 R
3,937,426 A	2/1976	Pearce	244/153
4,076,189 A	2/1978	Powell	244/153
4,383,667 A *	5/1983	Weathers	244/153 R
4,807,832 A	2/1989	Tabor	244/153
5,833,174 A	11/1998	Knight et al.	244/155
5,893,537 A *	4/1999	Lee	244/153 R

6,003,816 A	12/1999	Lee	244/153
6,283,816 B1	9/2001	Pascual	446/34
6,364,251 B1 *	4/2002	Yim	244/153 R

\* cited by examiner

*Primary Examiner*—Stella Reid

*Assistant Examiner*—C. Tuttle

(74) *Attorney, Agent, or Firm*—Louis J. Bachand

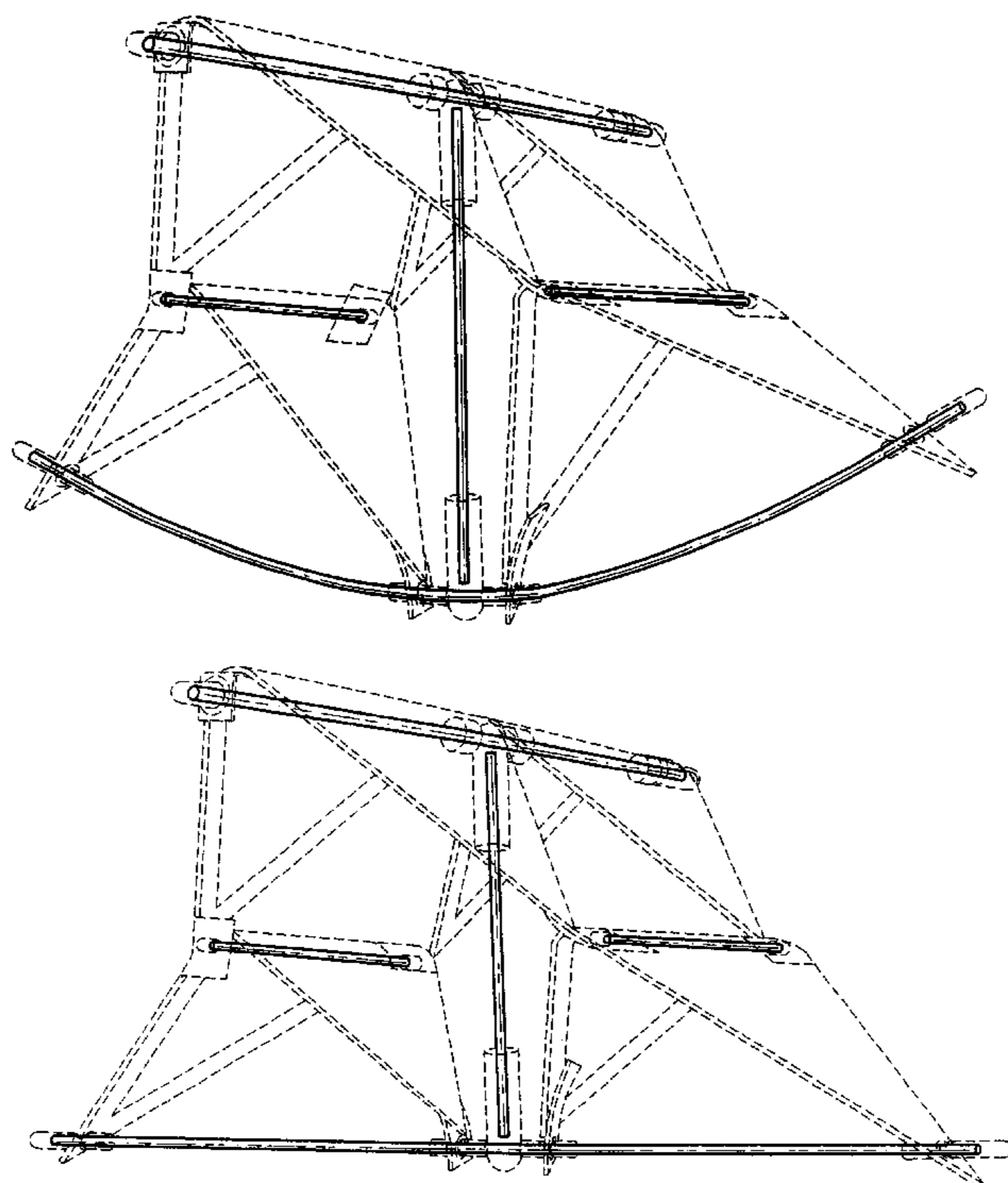
(57) **CLAIM**

The ornamental design for a kite, as shown and described herein.

**DESCRIPTION**

FIG. 1 is a perspective view of my kite;  
 FIG. 2 is a front view thereof, the front view being similar to the rear view;  
 FIG. 3 is a right side elevational view thereof, the right side view being similar to the left side view;  
 FIG. 4 is a top view thereof;  
 FIG. 5 is a bottom view thereof;  
 FIG. 6 is a perspective view of an alternative embodiment of my kite  
 FIG. 7 is a front view of the alternative embodiment, the front view being similar to the rear view;  
 FIG. 8 is a right side elevational view of the alternative embodiment, the right side view being similar to the left side view;  
 FIG. 9 is a top view of the alternative embodiment; and,  
 FIG. 10 is a bottom view of the alternative embodiment.  
 The elements shown in broken lines are for illustrative purposes only and form no part of the claimed design.

**1 Claim, 6 Drawing Sheets**



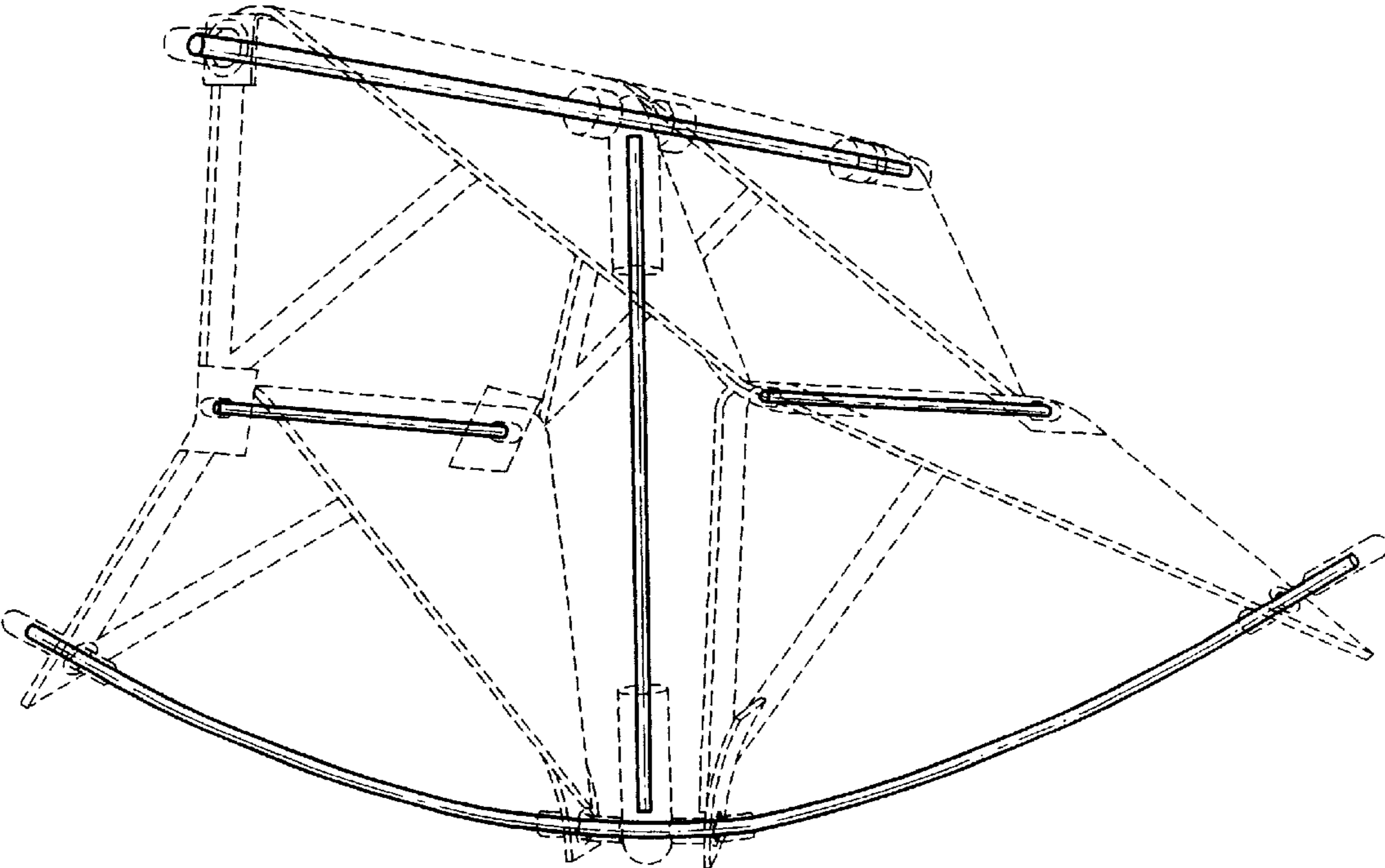


FIG. 1

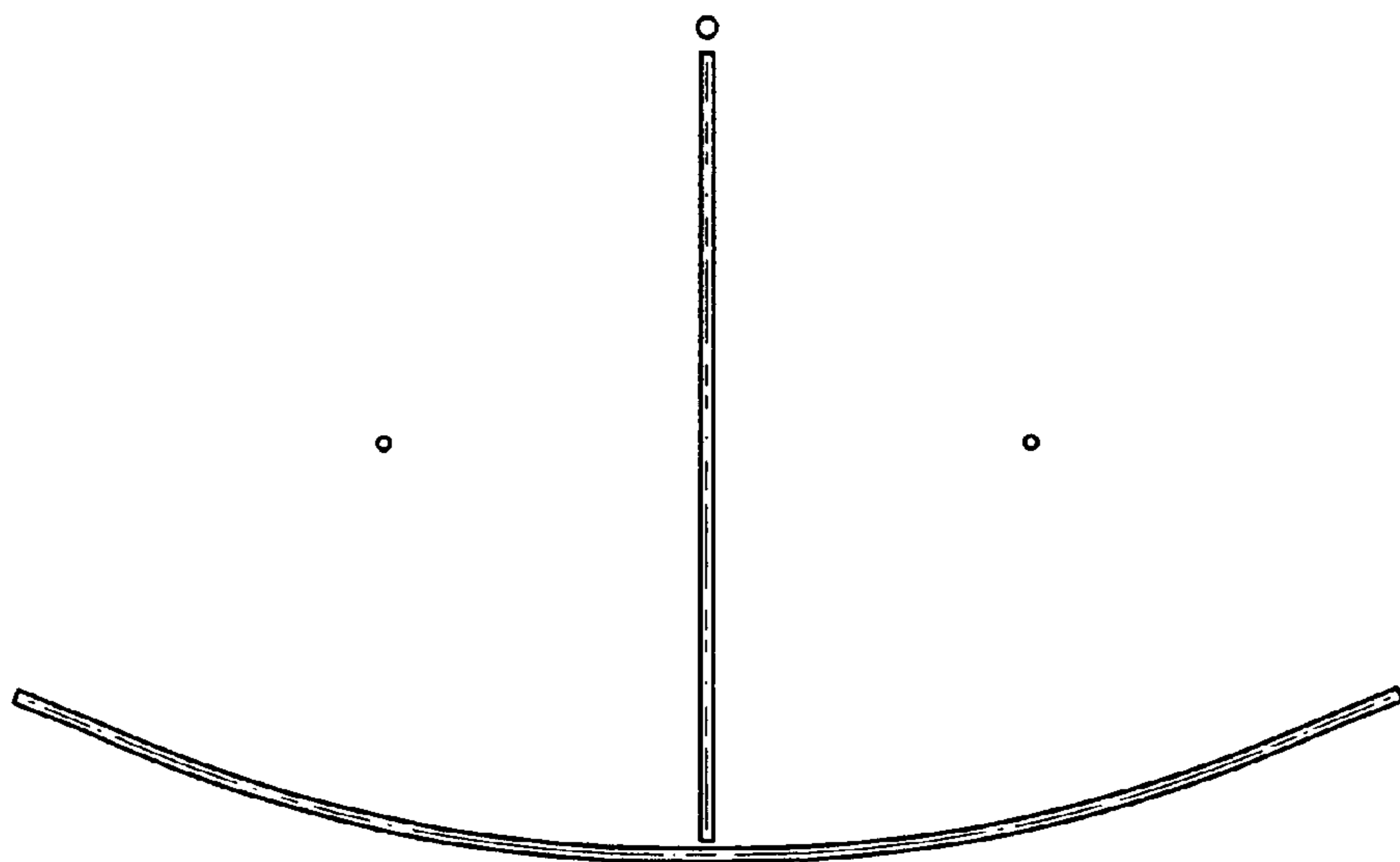


FIG. 2

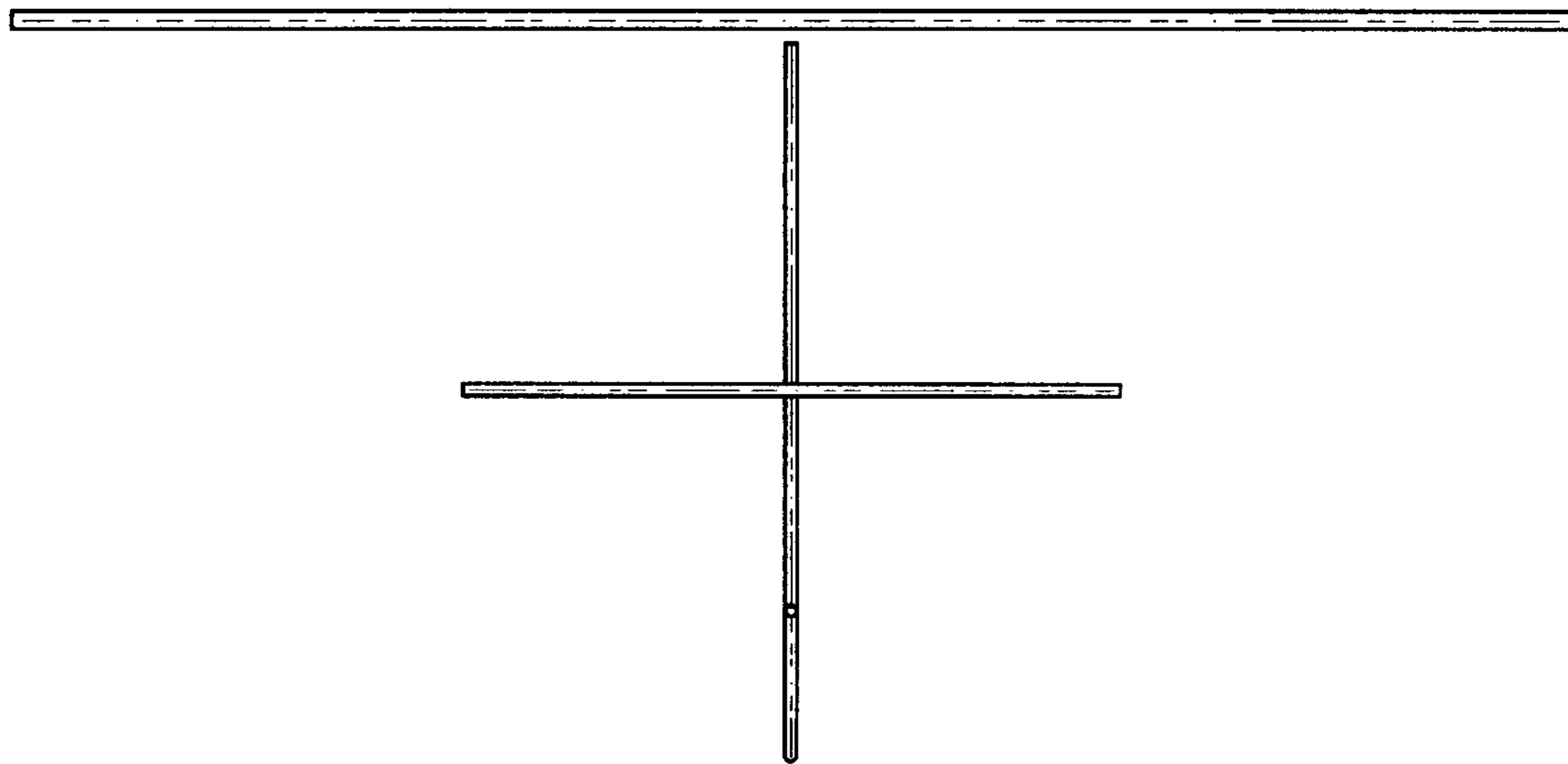


FIG. 3

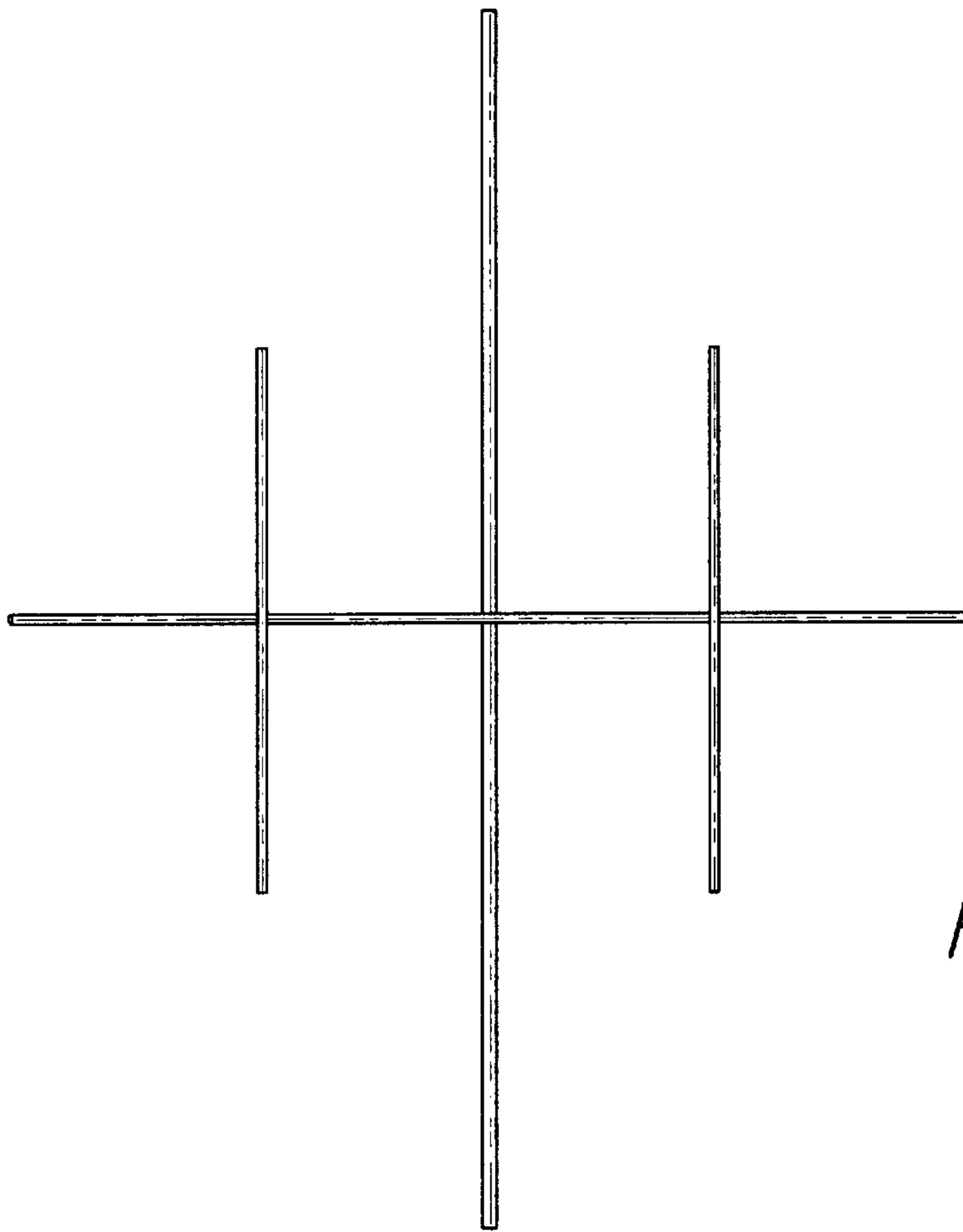


FIG. 4

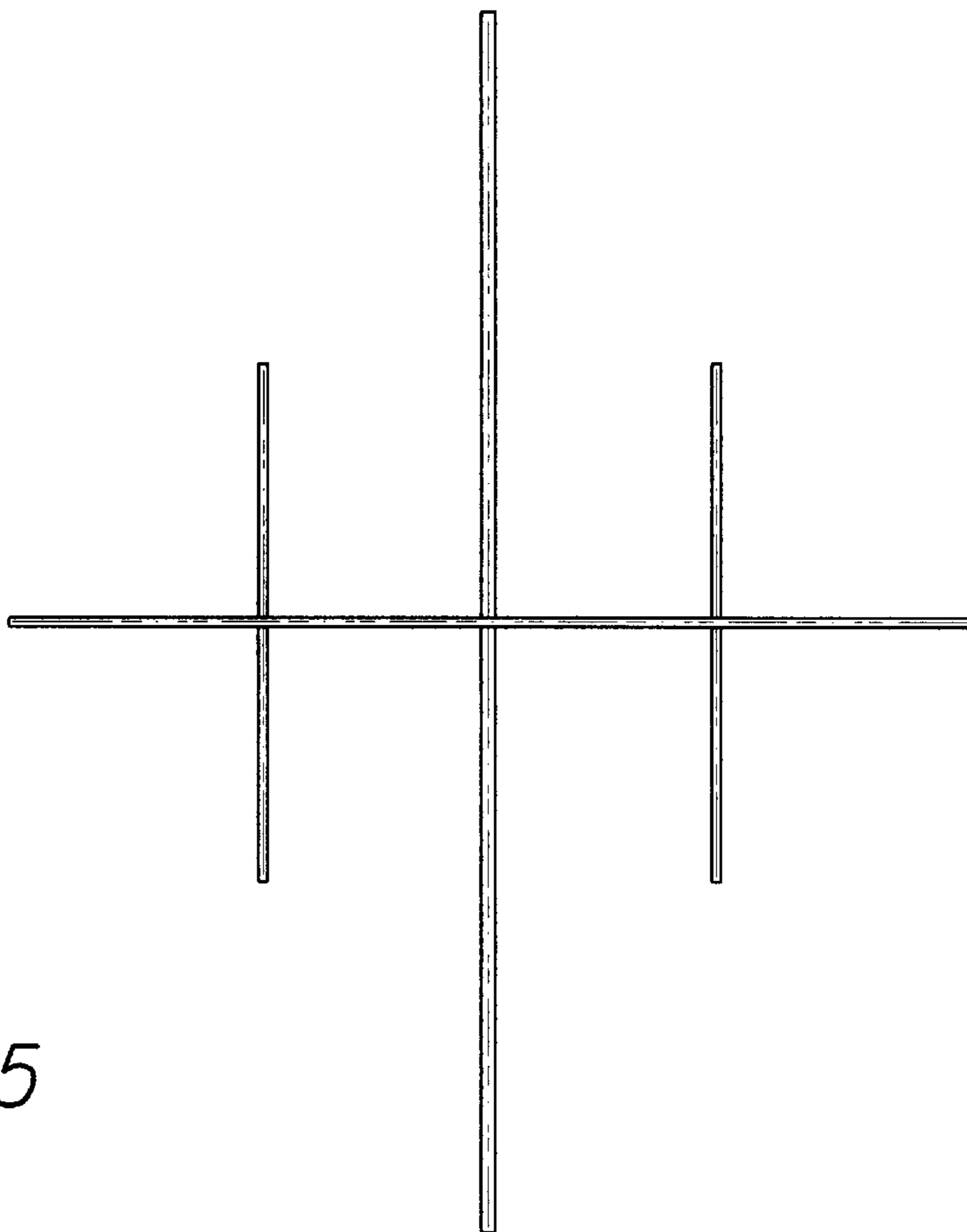


FIG. 5

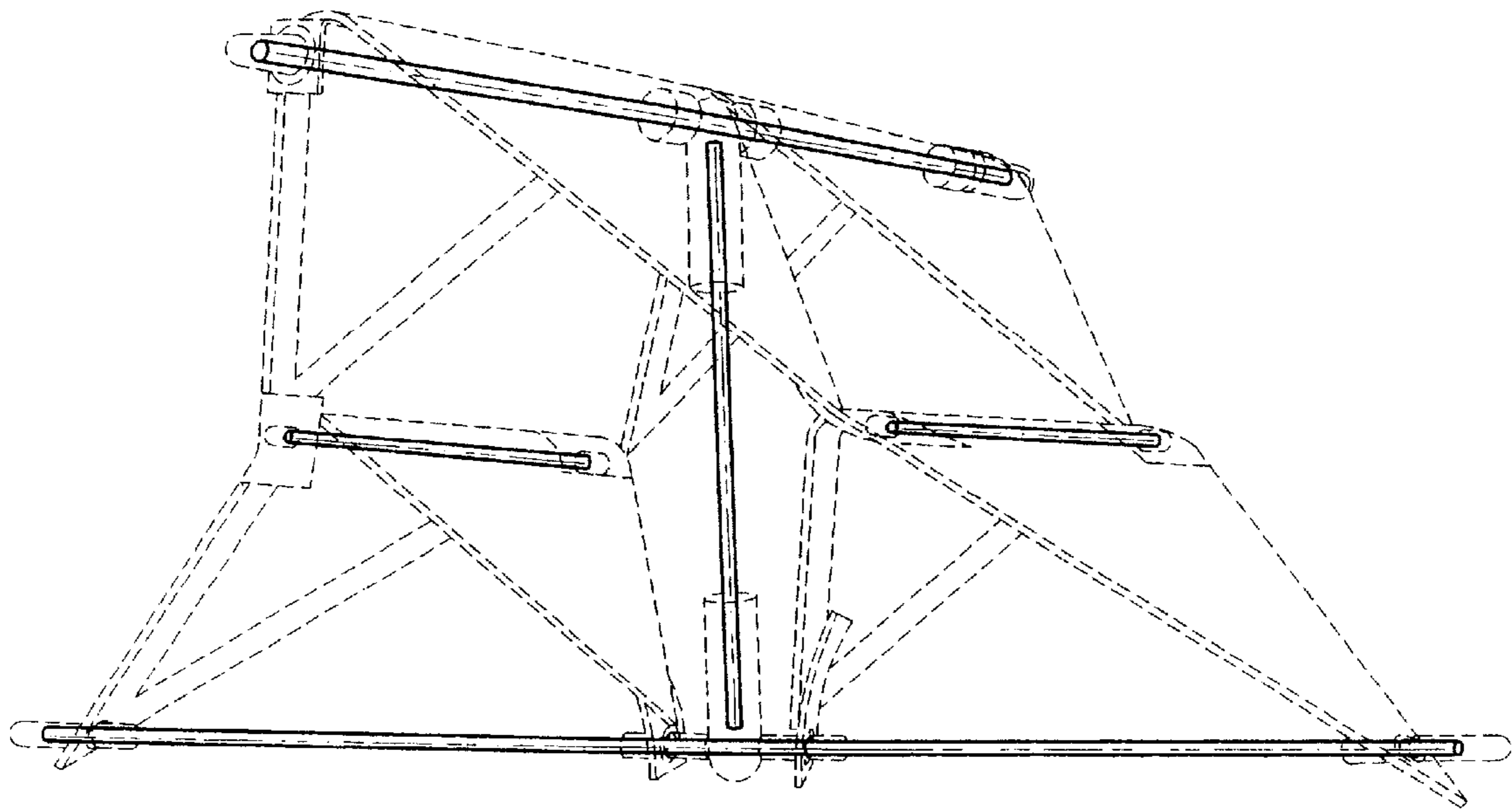
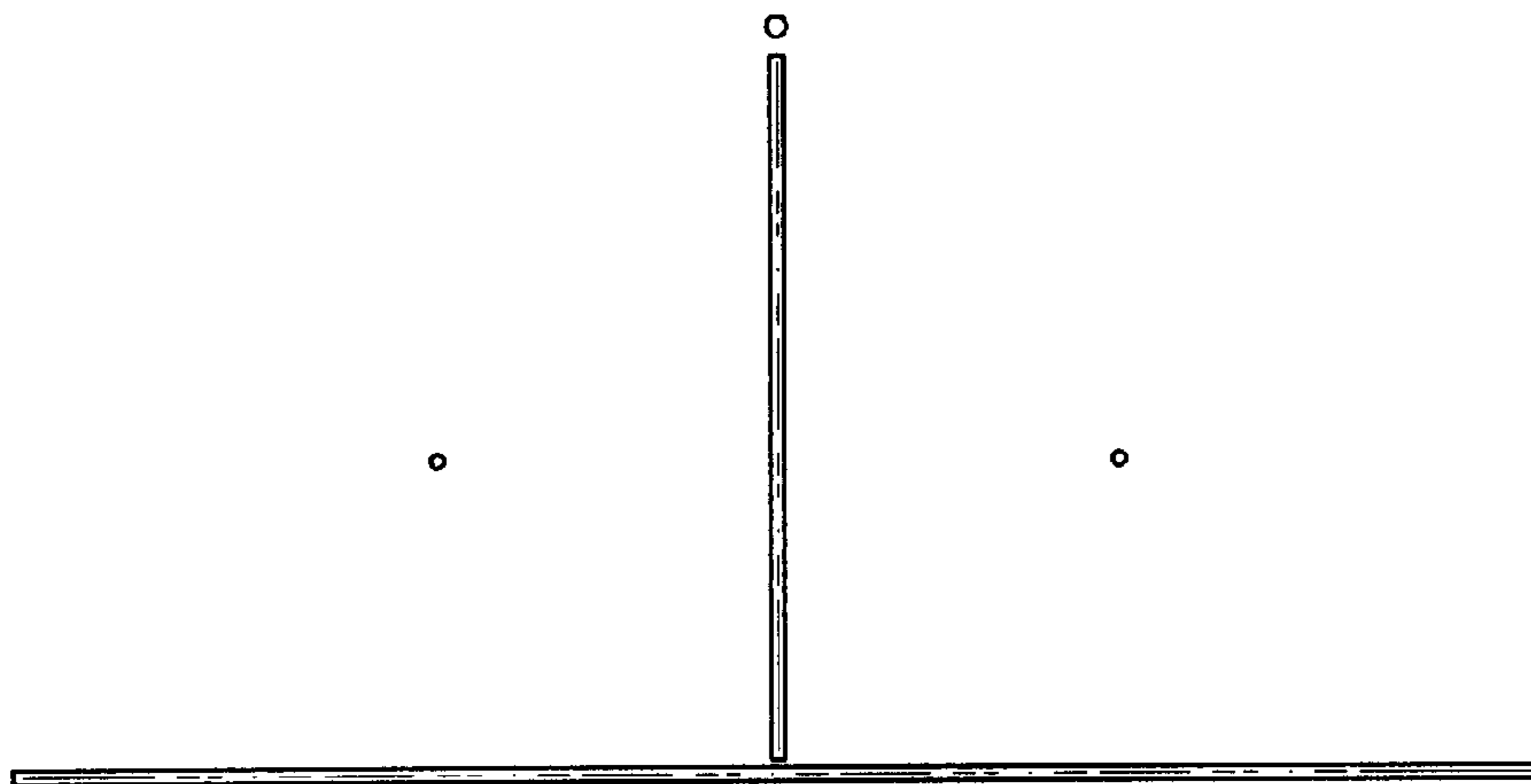
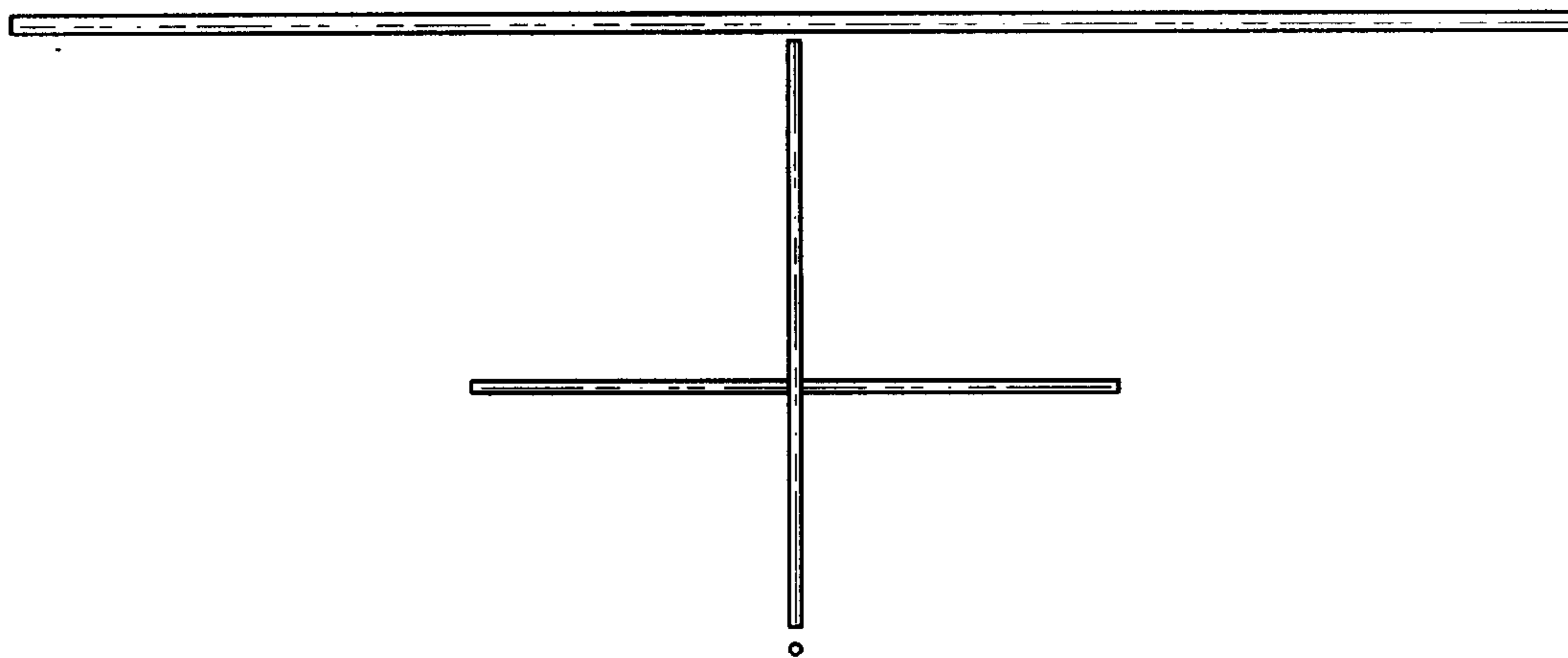


FIG. 6



*FIG. 7*



*FIG. 8*

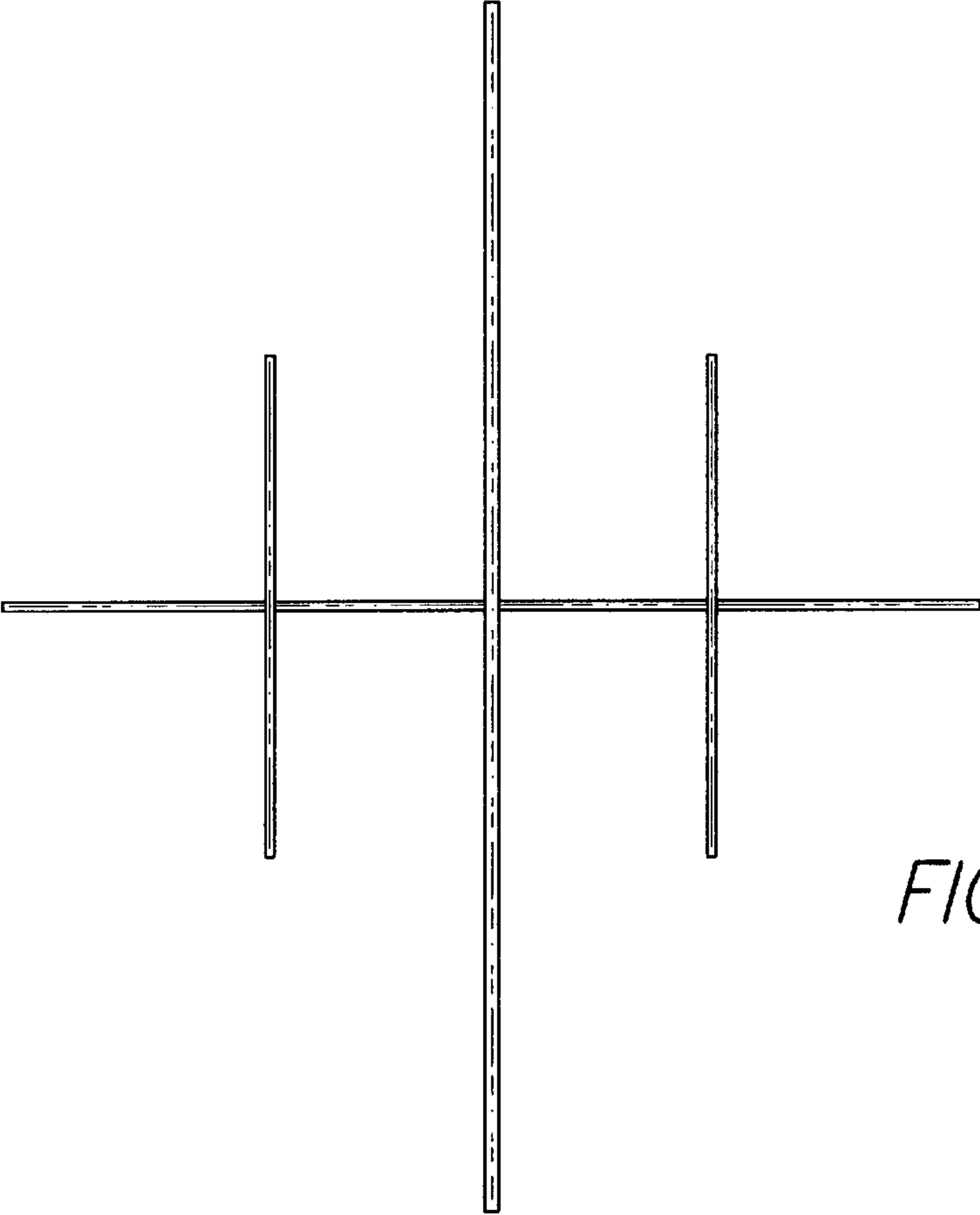


FIG. 9

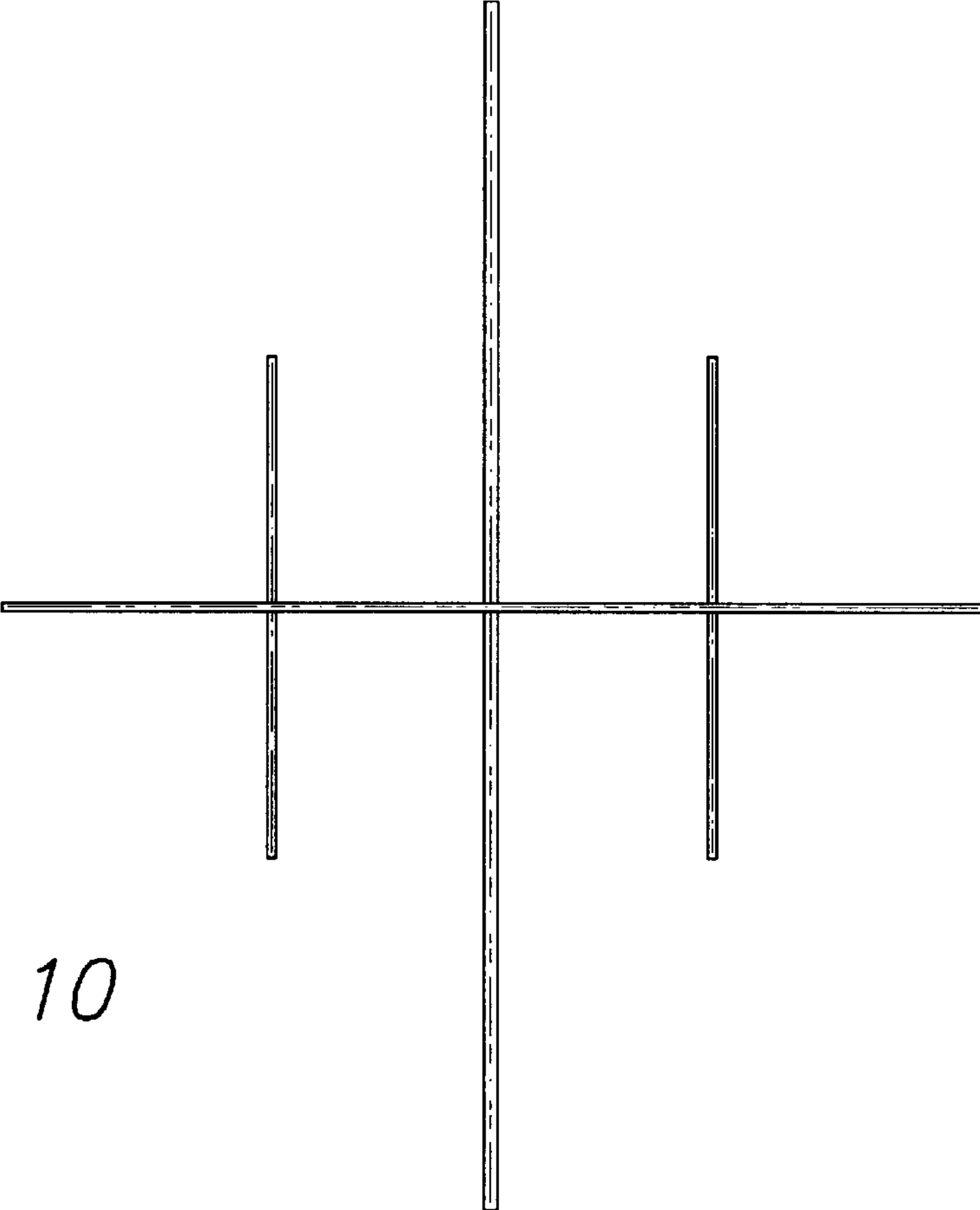


FIG. 10