

US00D500808S

(12) **United States Design Patent**
Howard

(10) **Patent No.:** **US D500,808 S**
(45) **Date of Patent:** **** Jan. 11, 2005**

- (54) **CIRCULAR LABELED KEY TAG**
- (76) Inventor: **Raymond W. Howard**, 7890 Dunbrook Rd., San Diego, CA (US) 92126-4369
- (**) Term: **14 Years**
- (21) Appl. No.: **29/202,934**
- (22) Filed: **Apr. 6, 2004**

Related U.S. Application Data

- (62) Division of application No. 29/187,009, filed on Jul. 25, 2003, now Pat. No. Des. 493,493.
- (51) **LOC (7) Cl.** **19-08**
- (52) **U.S. Cl.** **D20/28**
- (58) **Field of Search** D3/207-8; D11/7, D11/43, 80; D20/10, 13, 15, 17, 22, 27, 28-9, 39-42, 99; 40/299.01, 330, 549, 606.18-19, 607.13, 611.05; 362/812

(56) **References Cited**

U.S. PATENT DOCUMENTS

2,073,280	A	*	3/1937	Lederer	40/633
2,138,309	A	*	11/1938	Traill	40/330
D203,737	S	*	2/1966	Friedman	D99/34
D235,385	S	*	6/1975	Smyth	D3/207
D341,333	S	*	11/1993	Prout	D11/80
D358,251	S	*	5/1995	Bettis	D3/208

D382,704	S	*	8/1997	Petruzzi	D3/207
D442,111	S	*	5/2001	Montmigny	D11/80
D463,104	S	*	9/2002	Ames	D3/207

* cited by examiner

Primary Examiner—Robert M. Spear
(74) *Attorney, Agent, or Firm*—Murphey & Murphey, A.P.C.

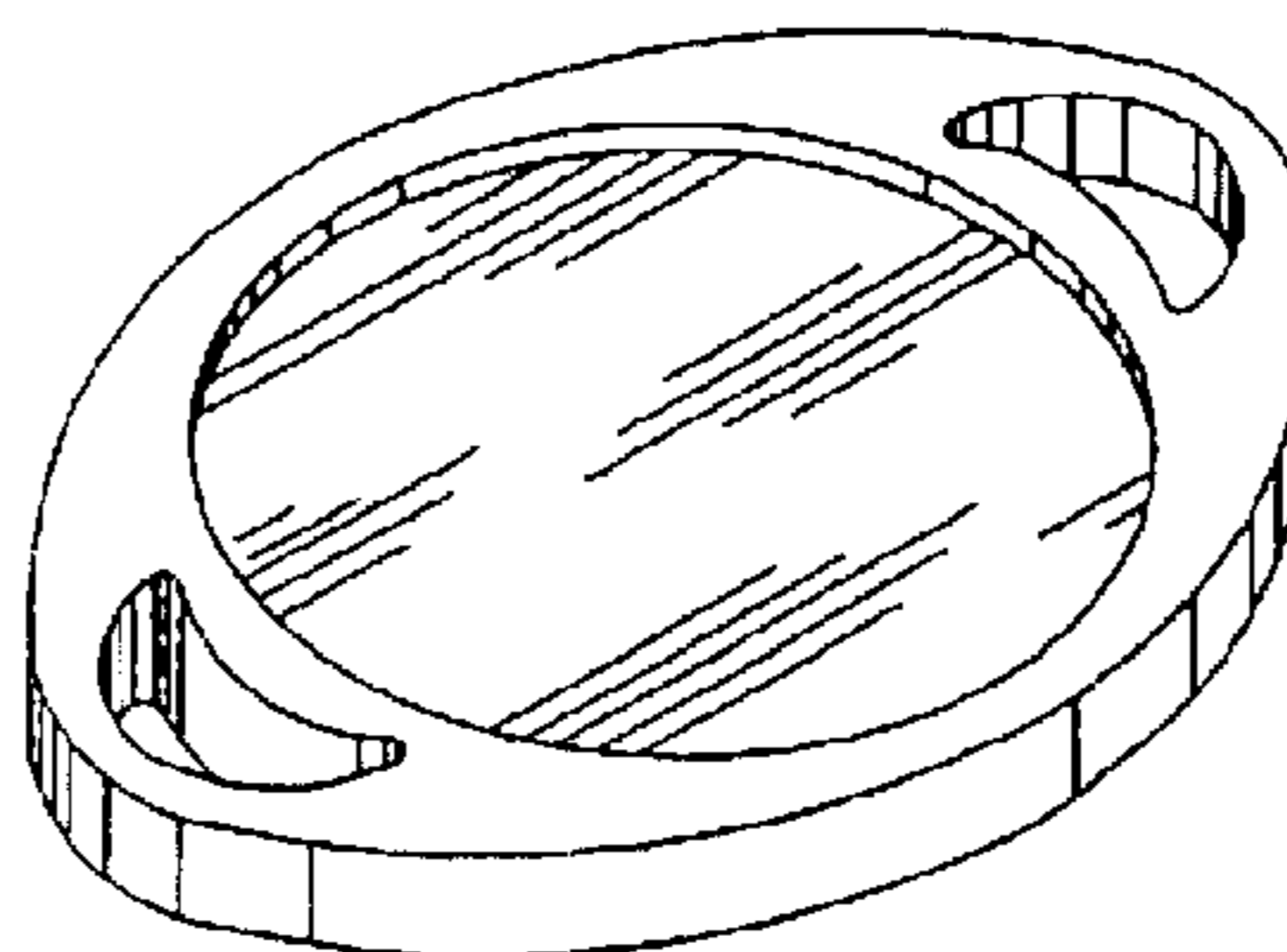
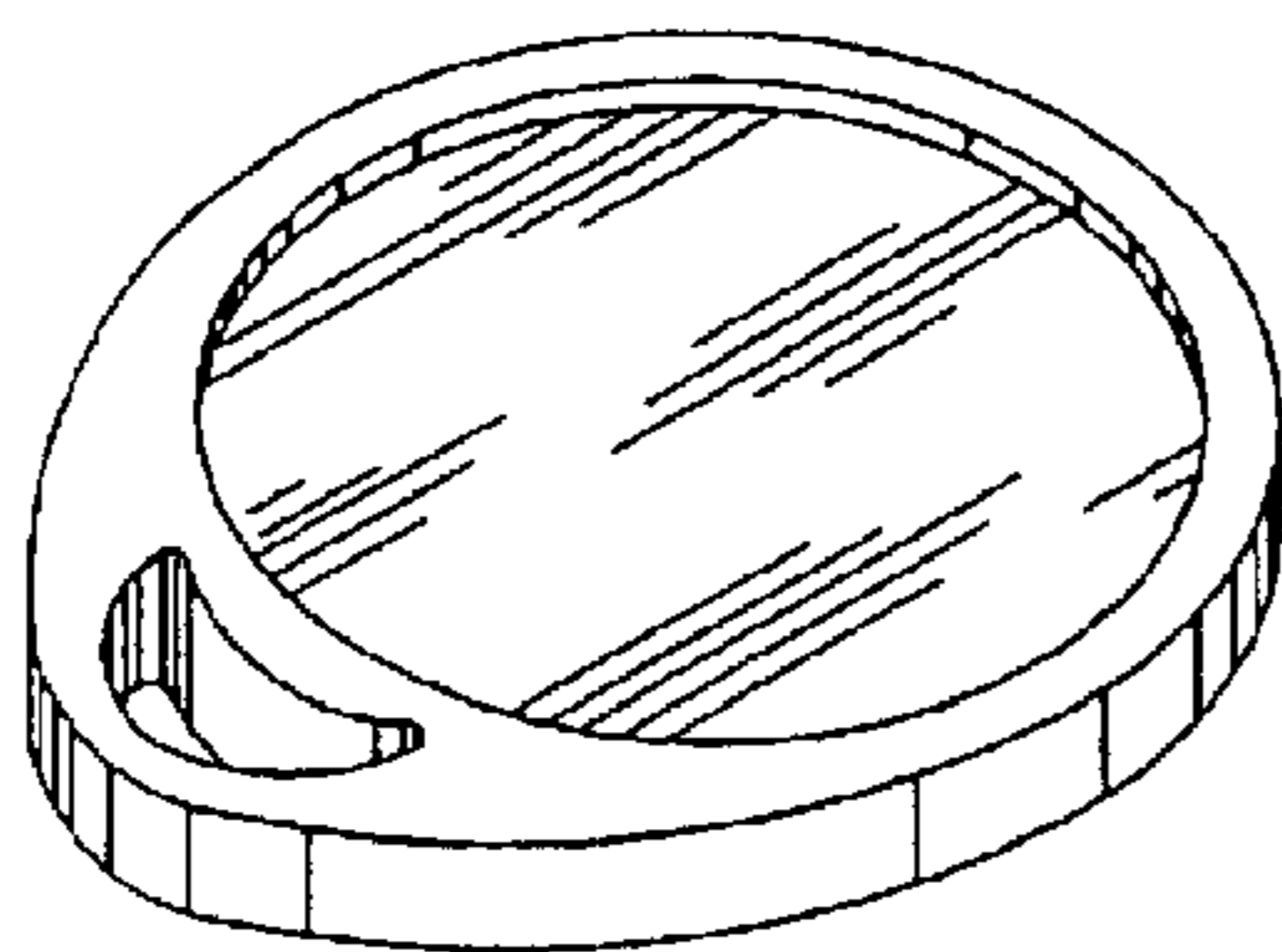
(57) **CLAIM**

The ornamental design for a circular labeled key tag, as shown.

DESCRIPTION

FIG. 1 is a top plan of a first embodiment of a circular labeled key tag showing my new design;
 FIG. 2 is a top plan of a second embodiment of the circular labeled key tag showing my new design
 FIG. 3 is a top side view of the circular labeled key tag showing my new design;
 FIG. 4 is a bottom side view of the circular labeled key tag showing my new design;
 FIG. 5 is a perspective view of the first embodiment of the circular labeled key tag showing my new design;
 FIG. 6 is a perspective view of the second embodiment of the circular labeled key tag showing my new design; and,
 FIG. 7 is a side view of the second embodiment of the circular labeled key tag showing my new design.

1 Claim, 2 Drawing Sheets



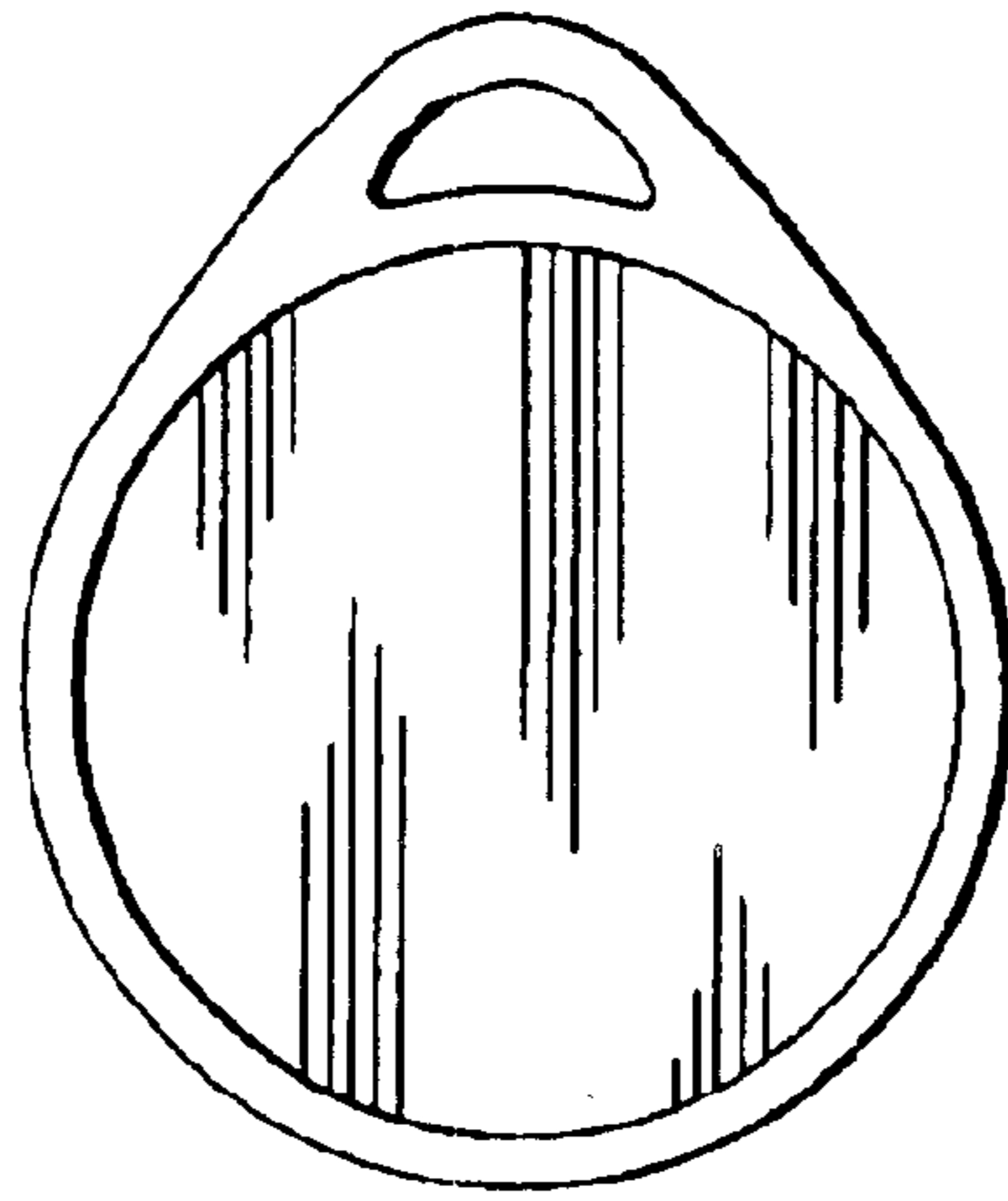


Figure 1

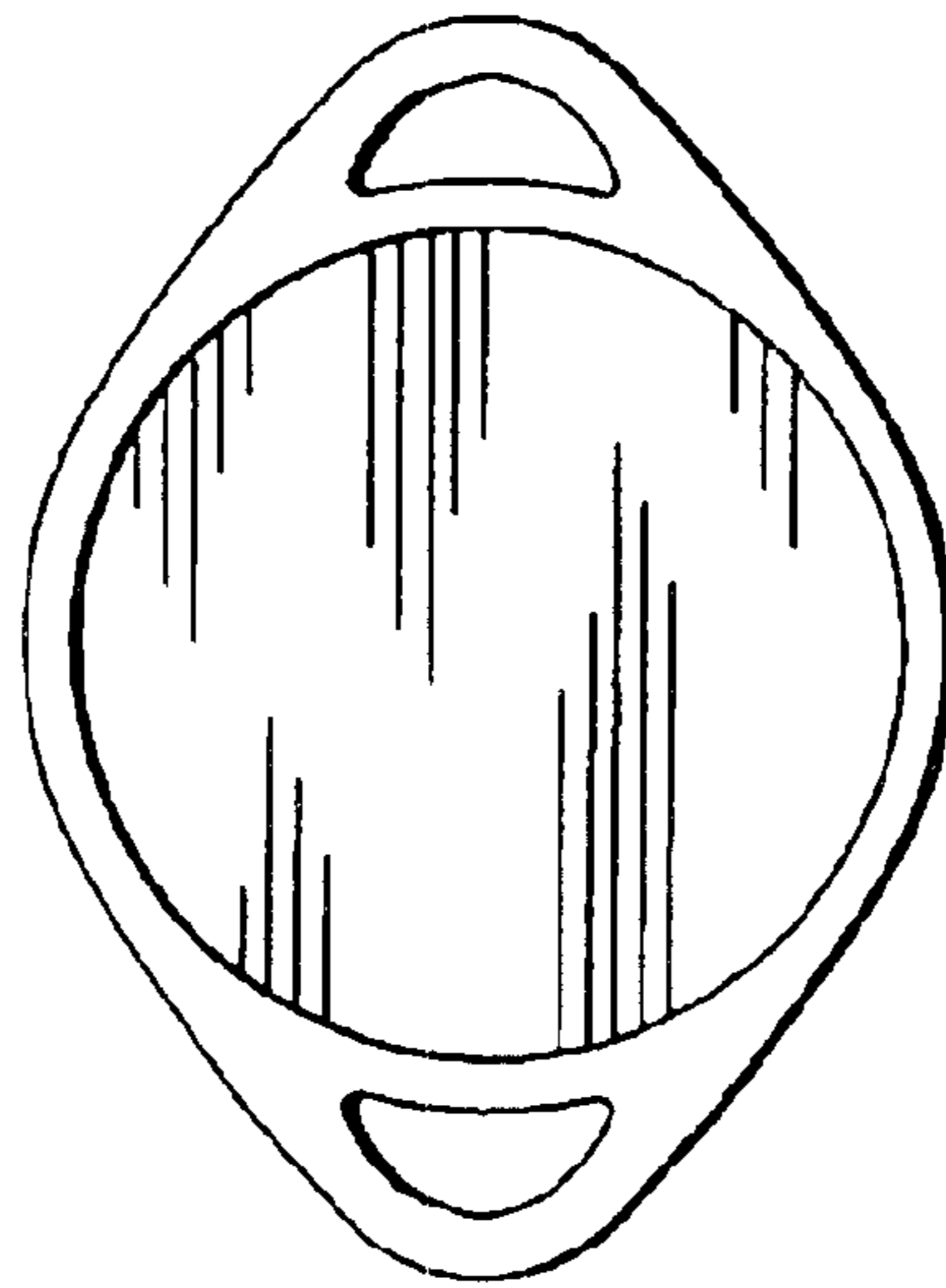


Figure 2



Figure 3



Figure 4

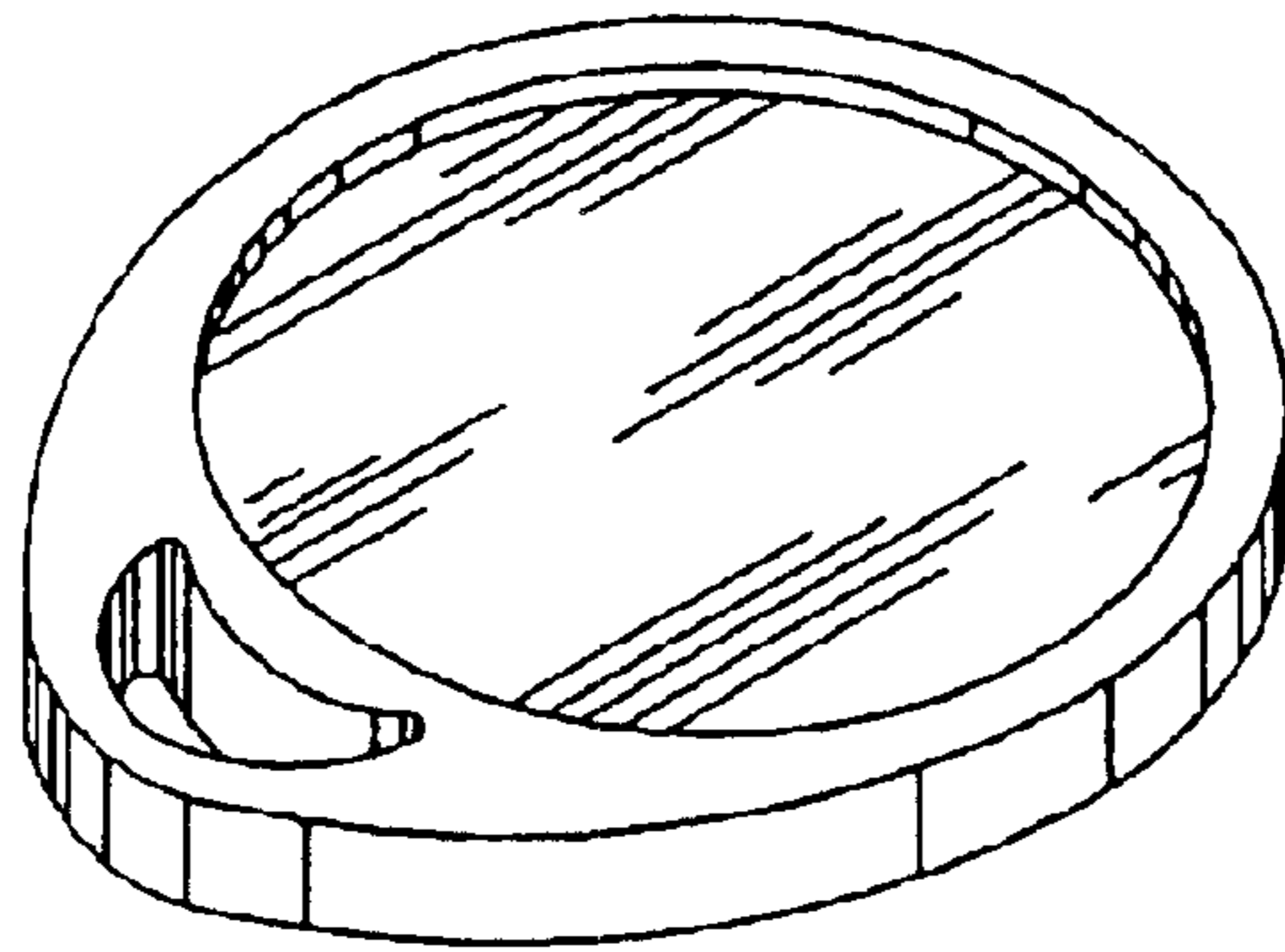


Figure 5

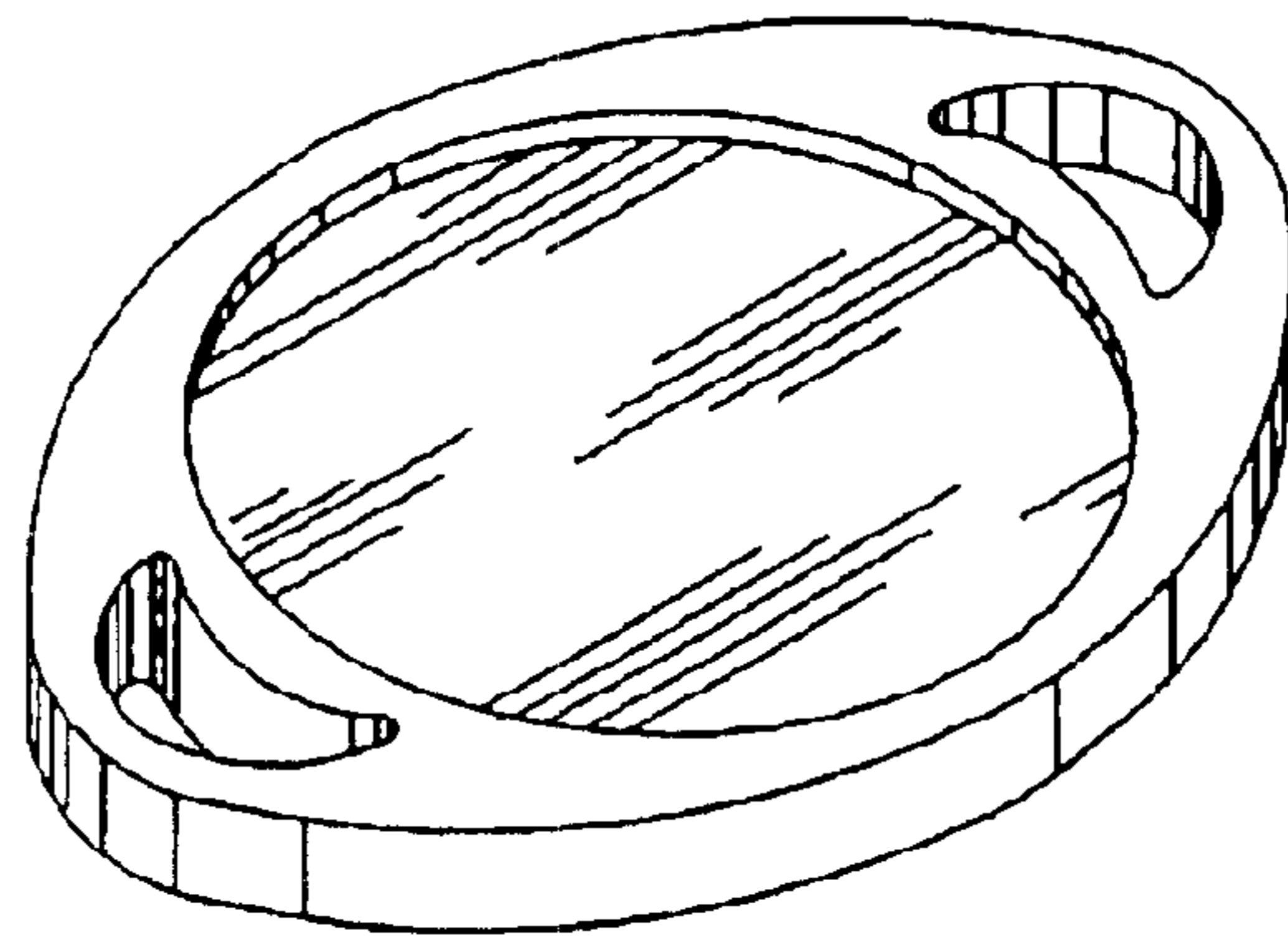


Figure 6



Figure 7