

US00D500804S

(12) **United States Design Patent** (10) **Patent No.:** **US D500,804 S**
Bartholomew et al. (45) **Date of Patent:** **** Jan. 11, 2005**

(54) **COSMETIC DISPENSER**
(75) Inventors: **Julie R. Bartholomew**, Birmingham, MI (US); **Richard T. Jobe**, Dayton, OH (US); **Thomas C. Bodiker, II**, Englewood, OH (US)
(73) Assignee: **IMX Labs, Inc.**, Birmingham, MI (US)
(**) Term: **14 Years**
(21) Appl. No.: **29/192,696**
(22) Filed: **Oct. 28, 2003**

5,044,520 A 9/1991 Moisan
D322,542 S 12/1991 Fontlladosa
5,078,302 A 1/1992 Hellenberg
5,119,973 A 6/1992 Miller et al.
D327,695 S 7/1992 Edstrom
D327,895 S 7/1992 Edstrom
5,137,367 A 8/1992 Madonia et al.
5,163,010 A 11/1992 Klein et al.
5,193,720 A 3/1993 Mayberry
5,197,802 A 3/1993 Miller et al.
5,268,620 A 12/1993 Hellenberg
5,271,628 A 12/1993 Okada
5,305,917 A 4/1994 Miller et al.
5,310,257 A 5/1994 Altieri, Jr. et al.
D347,645 S 6/1994 Miller
D347,646 S 6/1994 Mayberry
5,328,057 A 7/1994 Hellenberg et al.
D349,506 S 8/1994 Caruso et al.
5,356,041 A 10/1994 Hellenberg et al.
5,361,812 A 11/1994 Arneson et al.

Related U.S. Application Data

(62) Division of application No. 29/157,727, filed on Mar. 22, 2002, now Pat. No. Des. 485,310.

(51) **LOC (7) Cl.** **20-01**
(52) **U.S. Cl.** **D20/4**
(58) **Field of Search** D20/1, 4, 5, 99;
D6/515; D7/590; D9/339; D21/325, 369,
374; 141/104; 221/92, 103, 113, 133; 222/135,
144, 144.5, 145.1; 273/447, 448; 312/114

(List continued on next page.)

FOREIGN PATENT DOCUMENTS

EP 1093842 4/2001
WO WO 99/34905 7/1999
WO WO 01/75586 10/2001
WO WO 03/026458 4/2003

(56) **References Cited**

U.S. PATENT DOCUMENTS

1,912,899 A * 6/1933 Johannsen 312/114
D90,897 S * 10/1933 Rockola D21/374
D96,564 S 8/1935 Simpkins
D192,180 S 2/1962 Hodgman
D192,301 S * 2/1962 Schaeff D20/1
3,024,583 A * 3/1962 Gastright 53/564
3,036,732 A 5/1962 Schaeff
D248,693 S * 7/1978 Housman D20/1
4,133,525 A * 1/1979 Balles et al. 273/447
4,176,762 A 12/1979 Scalera et al.
4,561,850 A 12/1985 Fabbri et al.
4,705,083 A 11/1987 Rossetti
4,871,262 A 10/1989 Krauss et al.
D306,808 S 3/1990 Thomas
4,953,985 A 9/1990 Miller
4,967,938 A 11/1990 Hellenberg

OTHER PUBLICATIONS

Search Report dated May 23, 2003 (1026-017WO).

Primary Examiner—Robert M. Spear
(74) *Attorney, Agent, or Firm*—Dobrusin & Thennisce PC

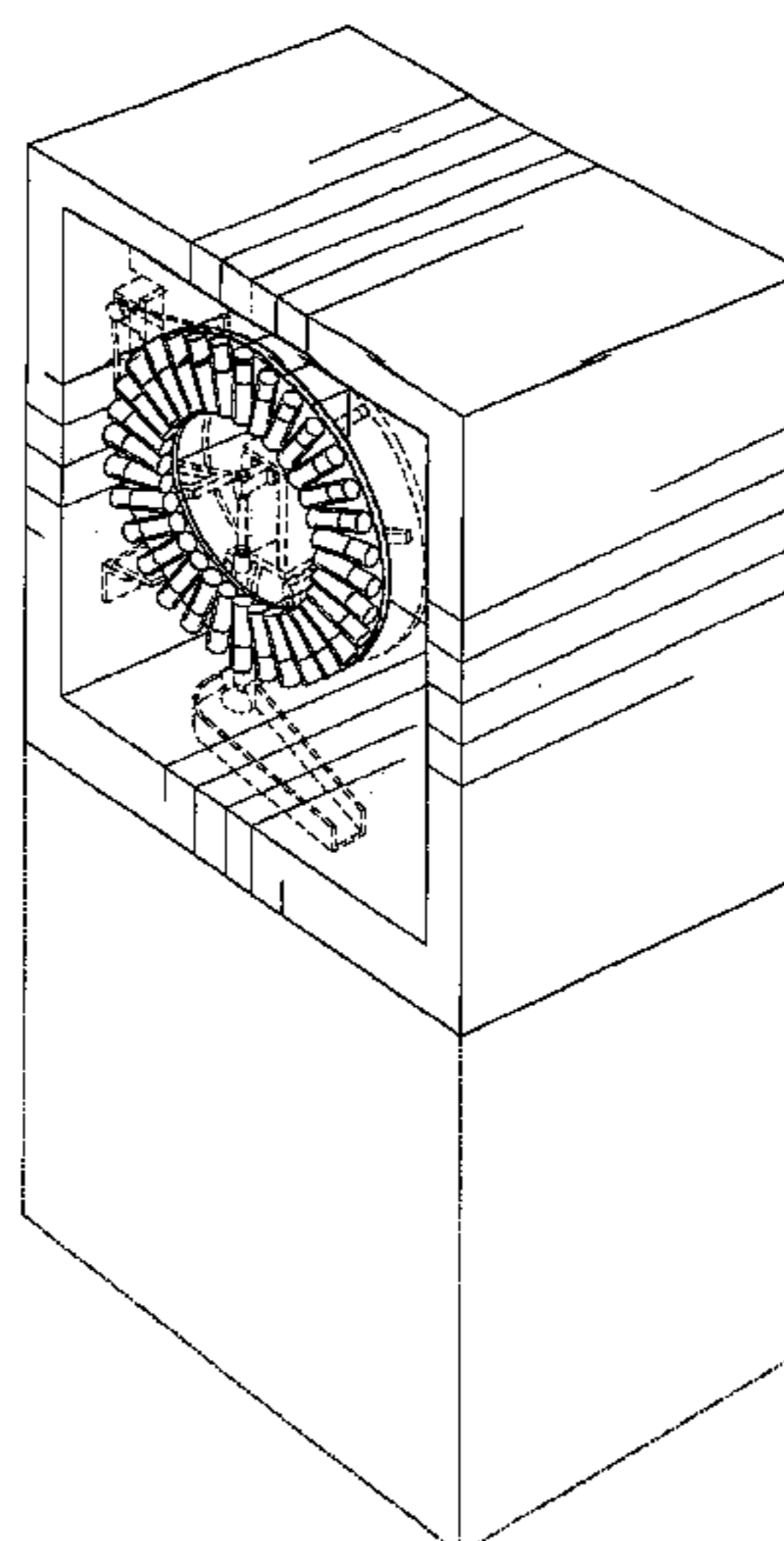
(57) **CLAIM**

The ornamental design for a cosmetic dispenser, as shown and described.

DESCRIPTION

The drawing illustrates a perspective view of a cosmetic dispenser of the present invention. The broken lines in the drawings depict environmental structure, which forms no part of the claimed design.

1 Claim, 1 Drawing Sheet



US D500,804 S

Page 2

U.S. PATENT DOCUMENTS					
			D401,246 S	11/1998	Langeveld et al.
5,368,196 A	11/1994	Hellenberg et al.	5,862,947 A	1/1999	Wiegner et al.
5,397,134 A	3/1995	Fishman et al.	5,897,204 A	4/1999	Dittmer et al.
D357,142 S	* 4/1995	Jones et al. D6/456	5,903,465 A	5/1999	Brown
5,478,238 A	12/1995	Gourtou et al.	5,904,421 A	5/1999	Mazzalveri
D366,304 S	1/1996	Lewis	5,906,433 A	5/1999	Mazzalveri
5,480,288 A	1/1996	Hellenberg et al.	5,938,080 A	8/1999	Haaser et al.
5,507,575 A	4/1996	Rossetti	5,992,691 A	11/1999	Post et al.
5,549,372 A	8/1996	Lewis	6,002,488 A	12/1999	Berg et al.
D374,677 S	10/1996	Hodson et al.	6,003,731 A	12/1999	Post et al.
5,626,260 A	5/1997	Waldner	6,035,860 A	3/2000	Mombourquette
5,632,314 A	5/1997	Koppe et al.	6,056,158 A	5/2000	Rossetti et al.
5,690,252 A	11/1997	Olkesiewicz et al.	6,089,538 A	7/2000	Shirkhan
5,697,527 A	12/1997	Altieri, Jr. et al.	6,139,429 A	10/2000	Shoemaker, Jr.
5,711,458 A	1/1998	Langeveld et al.	6,412,658 B1	7/2002	Bartholomew et al.
5,711,601 A	1/1998	Thomas et al.	D461,080 S	8/2002	Bartholomew et al.
5,720,017 A	2/1998	Cheetam et al.	D465,810 S	* 11/2002	Bartholomew et al. D20/1
5,778,901 A	7/1998	Abrahamian	2003/0062379 A1	4/2003	Bartholomew et al.
5,785,510 A	7/1998	Altieri, Jr. et al.	2003/0090176 A1	5/2003	Bartholomew et al.
5,797,750 A	8/1998	Gouriou et al.			

* cited by examiner

