



US00D500803S

(12) **United States Design Patent**
Stravitz

(10) **Patent No.: US D500,803 S**
(45) **Date of Patent: ** Jan. 11, 2005**

(54) **BROWSER/SORTER**

(76) Inventor: **David M. Stravitz**, 16 Park Ave. -
Suite 14A, New York, NY (US) 10016

(**) Term: **14 Years**

(21) Appl. No.: **29/205,947**

(22) Filed: **May 20, 2004**

(51) **LOC (7) Cl. 19-02**

(52) **U.S. Cl. D19/90; D6/629; D19/75**

(58) **Field of Search D6/407, 627, 628-630;**
D19/35, 36, 65, 75, 78, 86, 90, 91, 92,
95, 99, 100; 211/10, 11, 13.1, 42.1, 45,
51, 50, 55, 52, 87.01, 41.12, 88.01, 126.1,
126.13; 312/183, 184, 290; 206/425; 220/529

(56) **References Cited**

U.S. PATENT DOCUMENTS

807,084	A	*	12/1905	Muller	211/11
1,119,925	A	*	12/1914	Chatham	211/11
1,764,128	A	*	6/1930	Straubel	211/11
D148,076	S	*	12/1947	Keesing, Jr.	D19/76
3,358,692	A	*	12/1967	Proulx	220/529
4,512,480	A	*	4/1985	Evenson	211/11
4,629,067	A	*	12/1986	Pavlik et al.	206/425
5,215,198	A	*	6/1993	Sutton	206/425
D353,158	S	*	12/1994	Evenson	D19/90
D388,121	S	*	12/1997	Gomez	D19/90
D432,578	S	*	10/2000	Stravitz	D19/91
D440,809	S	*	4/2001	Hunt	D6/629
6,227,384	B1	*	5/2001	Saylor et al.	211/50

OTHER PUBLICATIONS

U.S. Appl. No. 10/702,205 filed Nov. 4, 2003; Browser/
Sorter with Pivotal Dividers; Inventor: David M. Stravitz.
U.S. Appl. No. 29/191,270 filed Oct. 3, 2003; Browser/
Sorter with Pivotal Dividers; Inventor: David M. Stravitz.

* cited by examiner

Primary Examiner—Martie K. Holtje

(74) *Attorney, Agent, or Firm*—Frishauf, Holtz, Goodman
& Chick, P.C.

(57) **CLAIM**

The ornamental design for a browser/sorter, as shown and
described.

DESCRIPTION

FIG. 1 is a top, front, left side perspective view of a
browser/sorter showing my new design;

FIG. 2 is a top, rear, left side perspective view thereof;

FIG. 3 is a right side elevational view thereof, the left side
elevational view being a mirror image;

FIG. 4 is a top plan view thereof, the bottom plan view being
plain and unornamented;

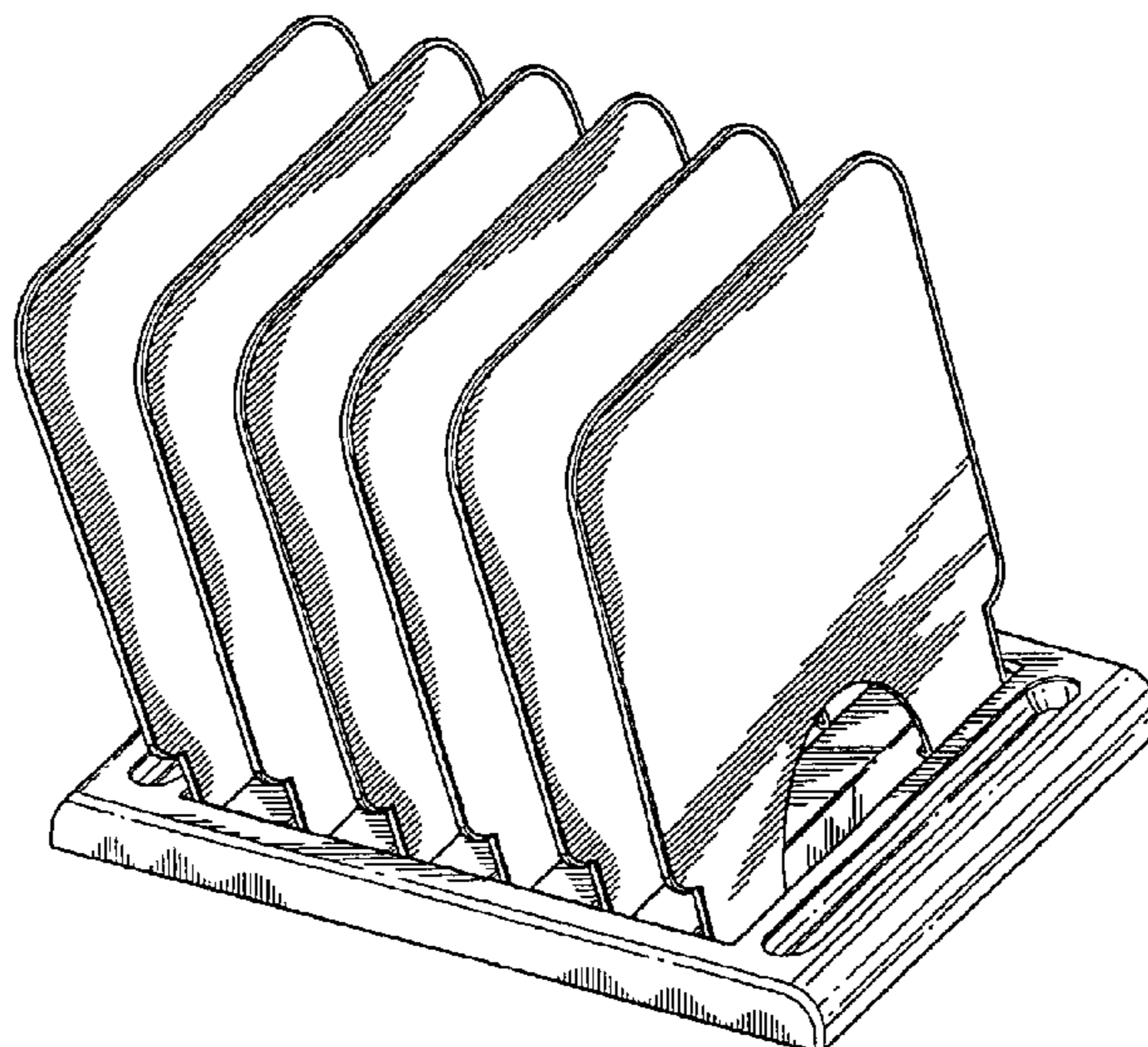
FIG. 5 is a front elevational view thereof;

FIG. 6 is a rear elevational view thereof;

FIG. 7 is a top, front, left side perspective view of a modified
embodiment thereof; and,

FIG. 8 is a top, rear, left side perspective view thereof, the
right side elevational view being the same as shown in FIG.
3 and the left side elevational view being a mirror image
thereof, the front elevational view being the same as shown
in FIG. 5, and the rear elevational view being the same as
shown in FIG. 6.

1 Claim, 4 Drawing Sheets



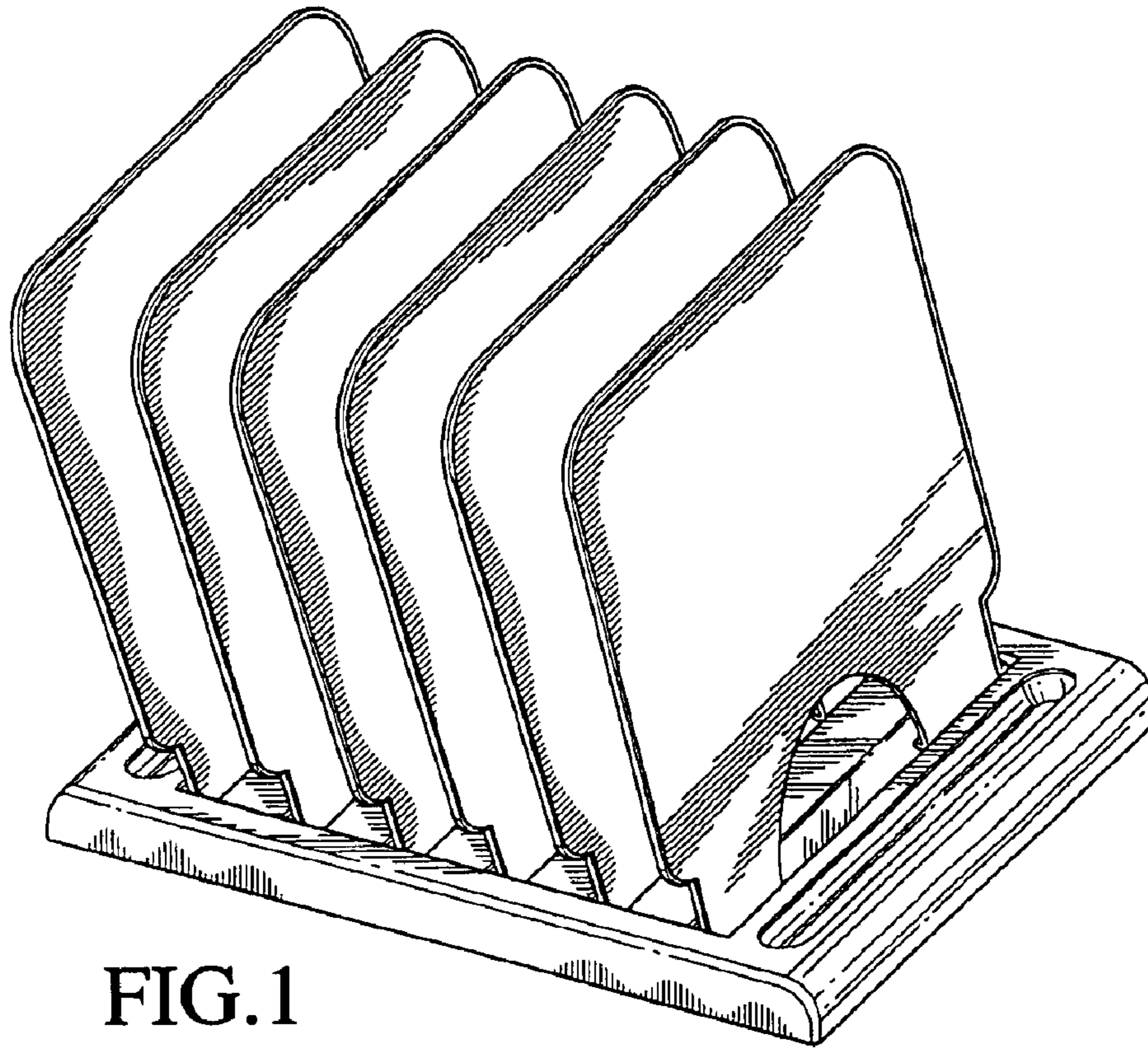


FIG. 1

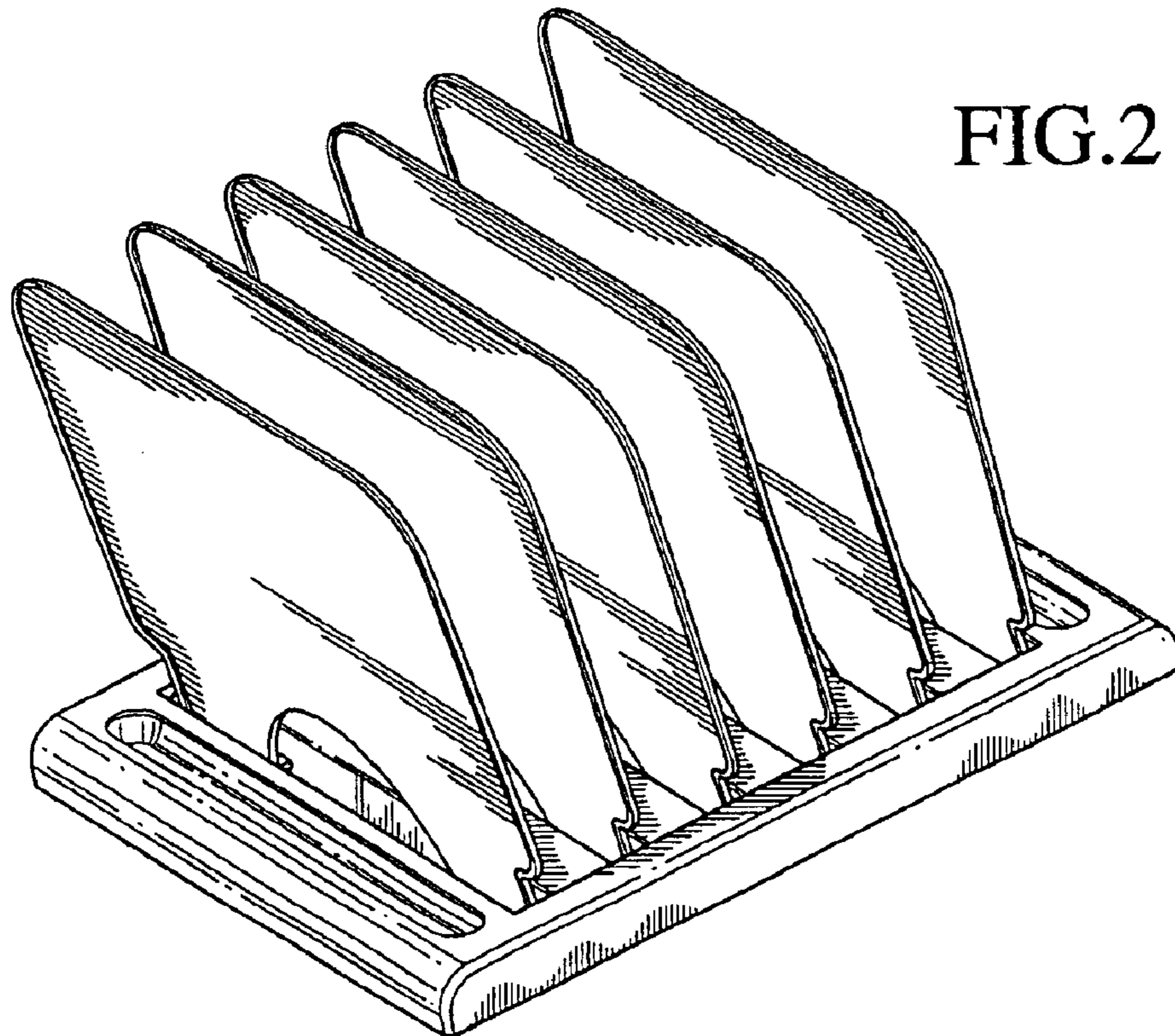


FIG. 2

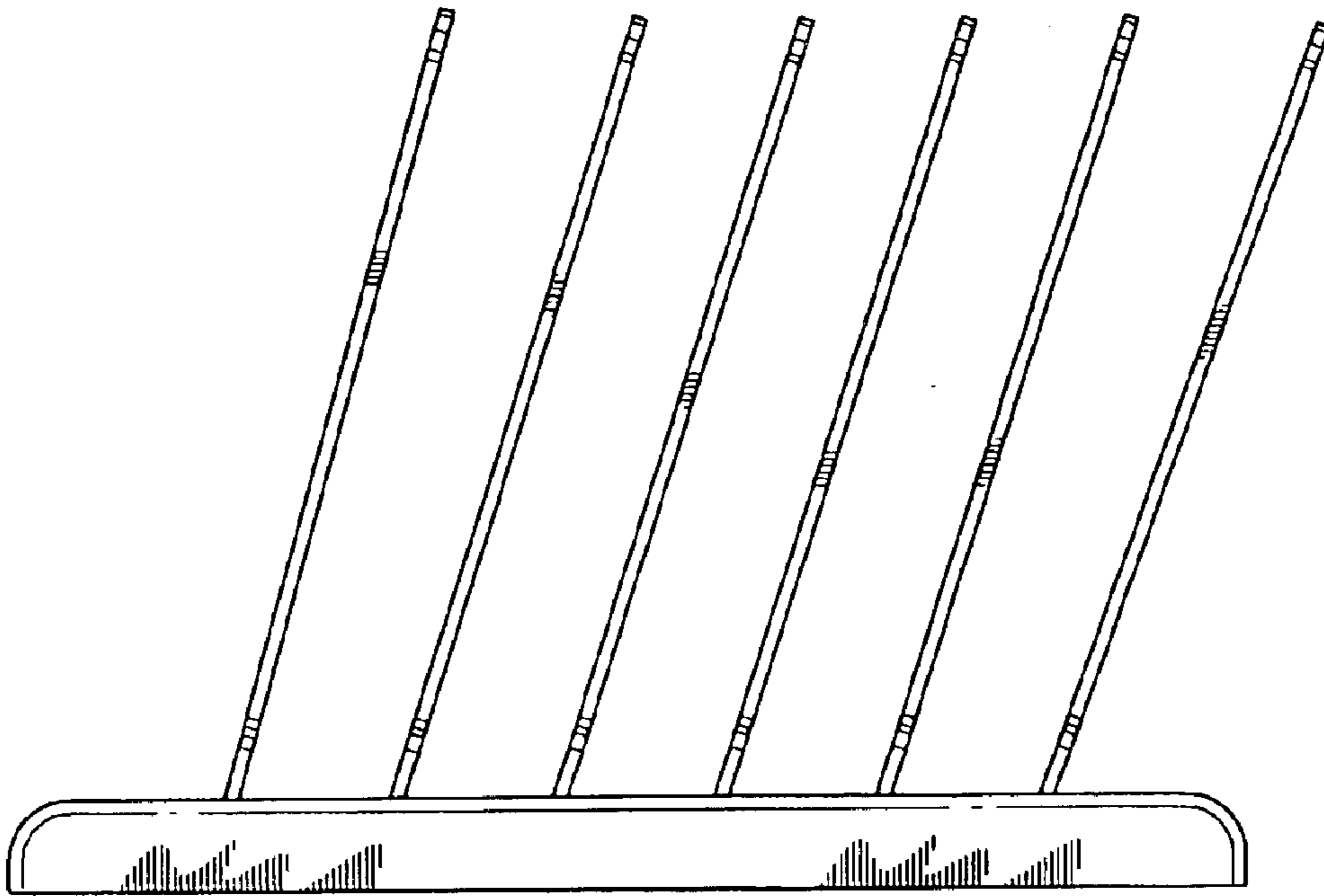


FIG. 3

FIG. 4

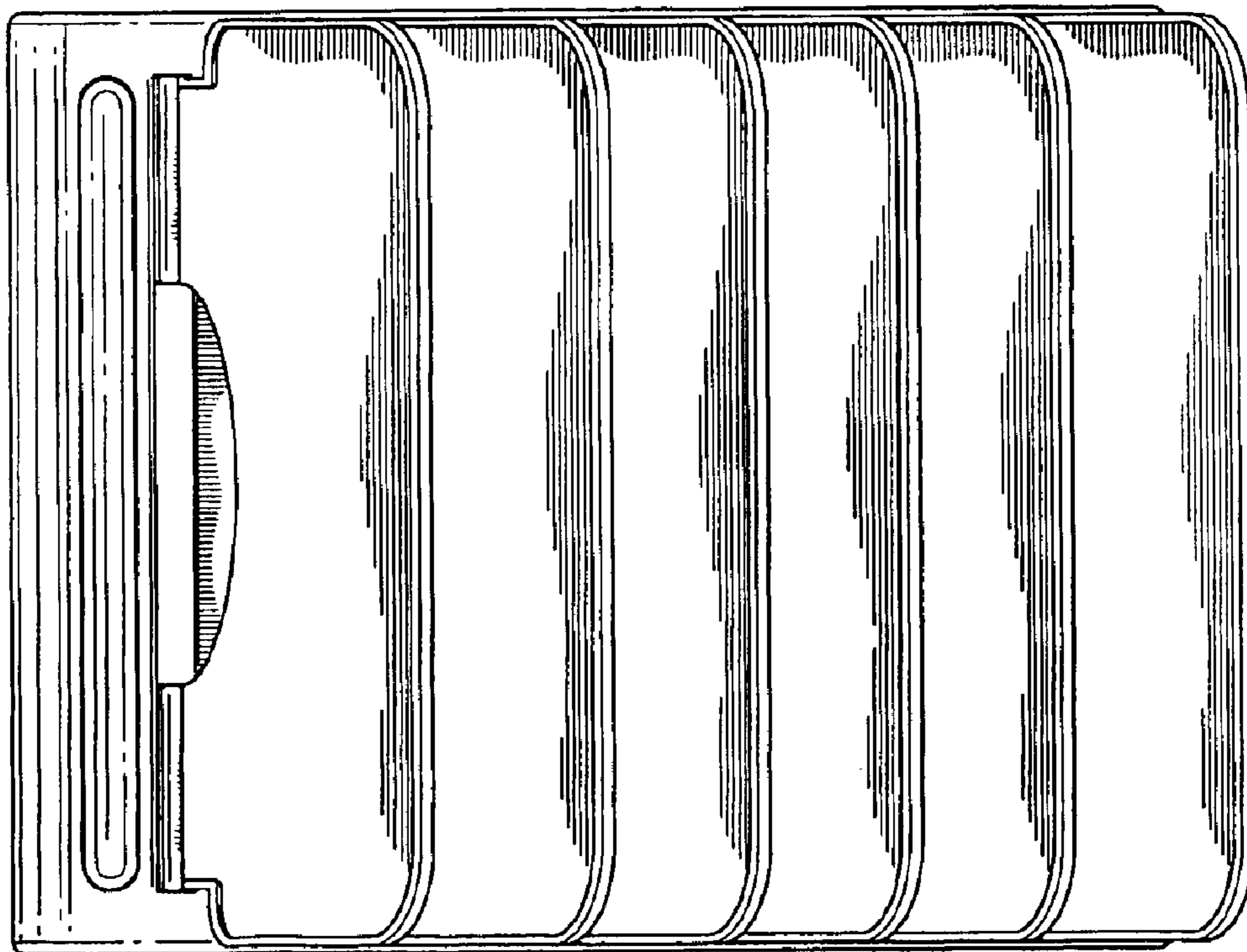


FIG.5

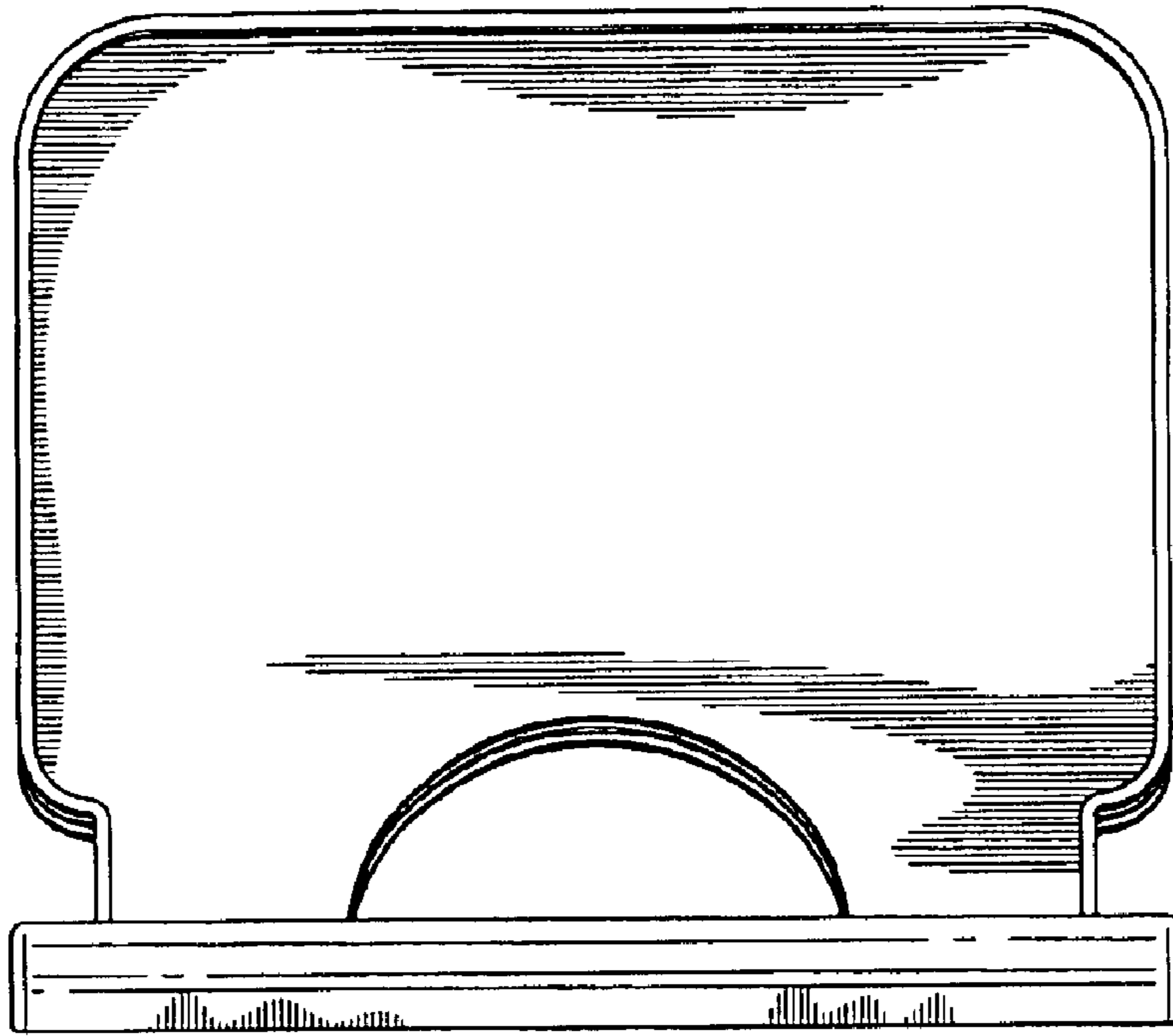
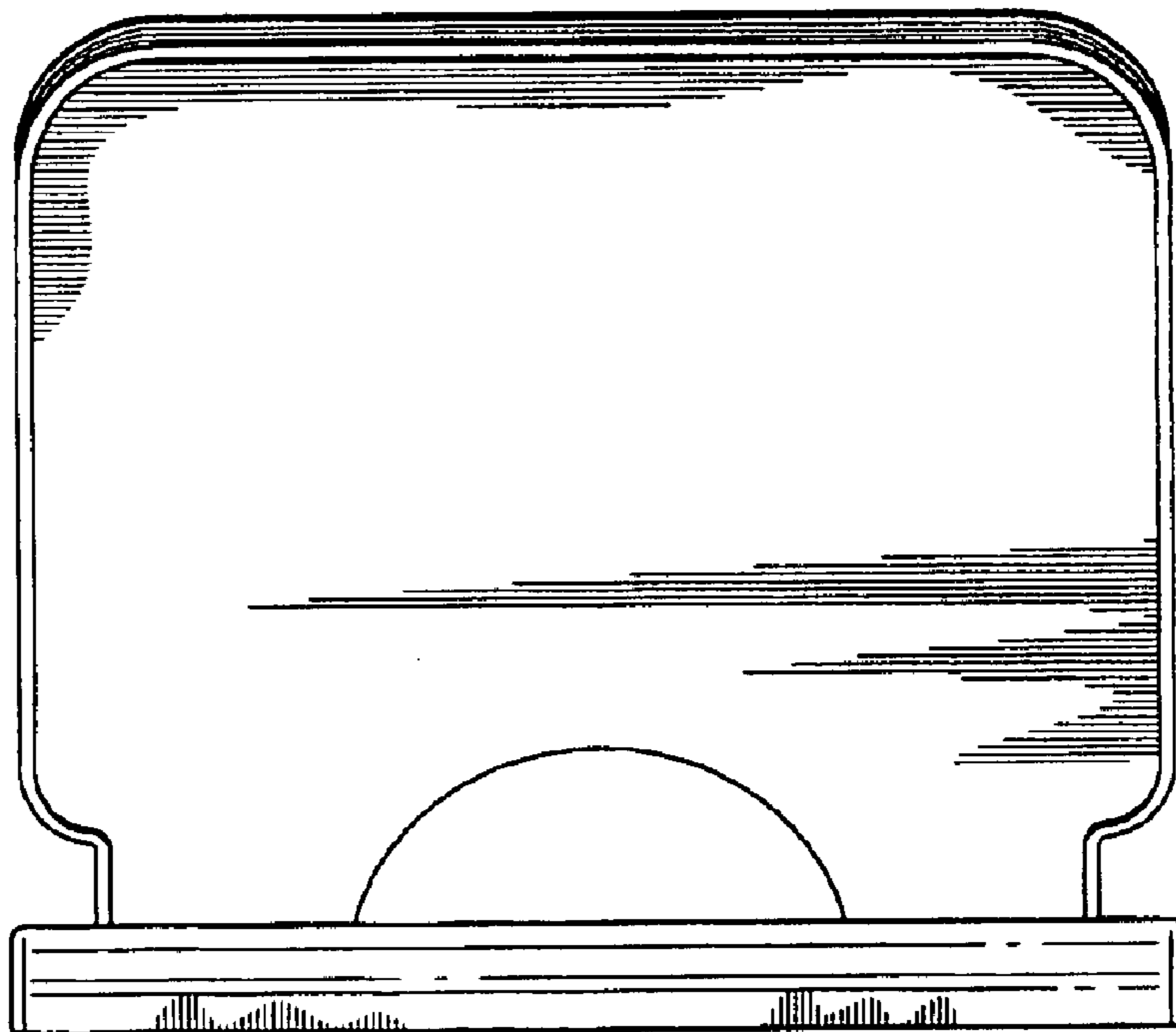


FIG.6



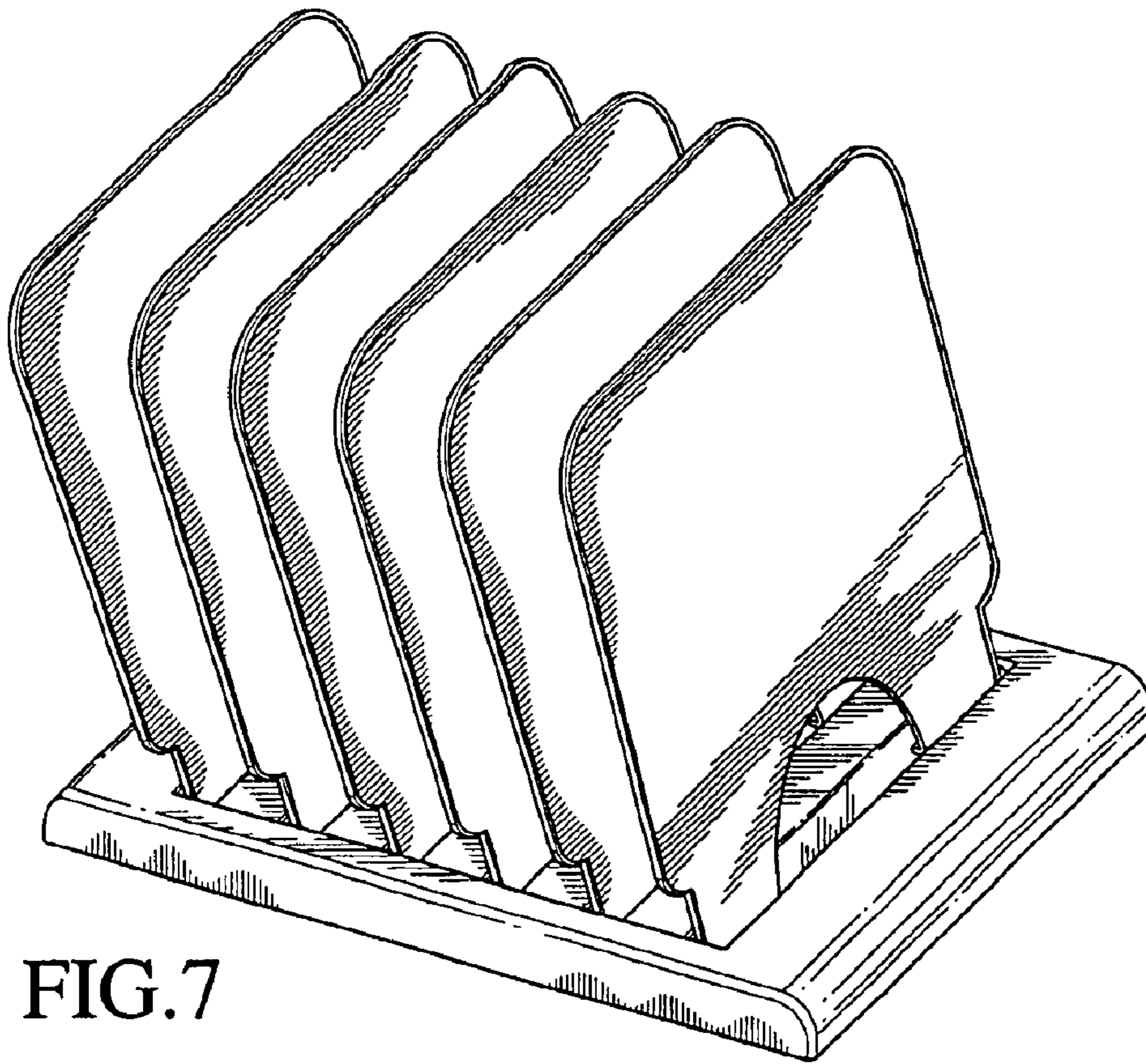


FIG. 7

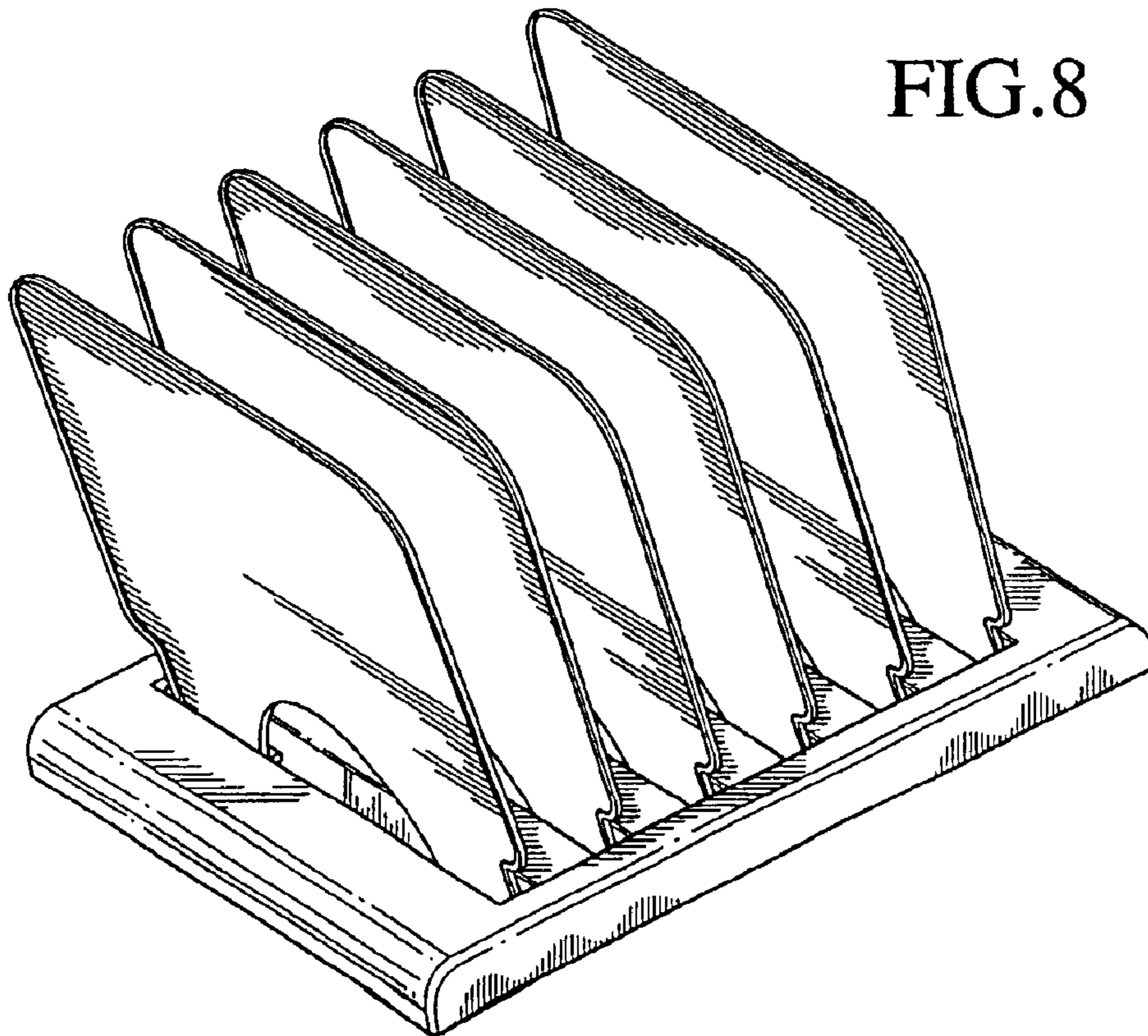


FIG. 8