



US00D500802S

(12) **United States Design Patent**  
**DeCarlo et al.**

(10) **Patent No.: US D500,802 S**  
(45) **Date of Patent: \*\* Jan. 11, 2005**

(54) **COLLAPSIBLE MAGAZINE HOLDER**

(75) Inventors: **Anthony J. DeCarlo**, Bay Village, OH (US); **Daniel V. Perella**, Hudson, OH (US); **Vincent J. Thomson**, Avon Lake, OH (US)

(73) Assignee: **Idea Stream Consumer Products LLC**, Parma, OH (US)

(\*\*) Term: **14 Years**

(21) Appl. No.: **29/201,192**

(22) Filed: **Mar. 11, 2004**

(51) **LOC (7) Cl.** ..... **19-02**

(52) **U.S. Cl.** ..... **D19/90; D19/91; D6/475**

(58) **Field of Search** ..... D6/475; D19/65, D19/75, 86, 90, 91, 95, 99, 100; 211/10, 11, 13.1, 50, 113, 184; 229/178-182, 191, 198, 198.3; 206/425; 312/348.1; D9/432, 433

(56) **References Cited**

**U.S. PATENT DOCUMENTS**

265,467 A	*	6/1882	Tincher	.....	206/425
354,694 A	*	12/1886	Diemer et al.	.....	206/425
376,140 A	*	1/1888	Chamberlain	.....	206/425
853,864 A	*	5/1907	Corboy	.....	40/359
3,216,426 A	*	11/1965	Fürer	.....	211/184

D244,430 S	*	5/1977	Larkin	
5,351,826 A	*	10/1994	Chen	..... 206/425
5,372,256 A	*	12/1994	Chen	..... 206/425
D381,691 S	*	7/1997	Miyake	..... D19/90
D420,051 S	*	2/2000	Conley et al.	..... D19/90

\* cited by examiner

*Primary Examiner*—Martie K. Holtje

(74) *Attorney, Agent, or Firm*—Renner, Otto, Boisselle & Sklar LLP

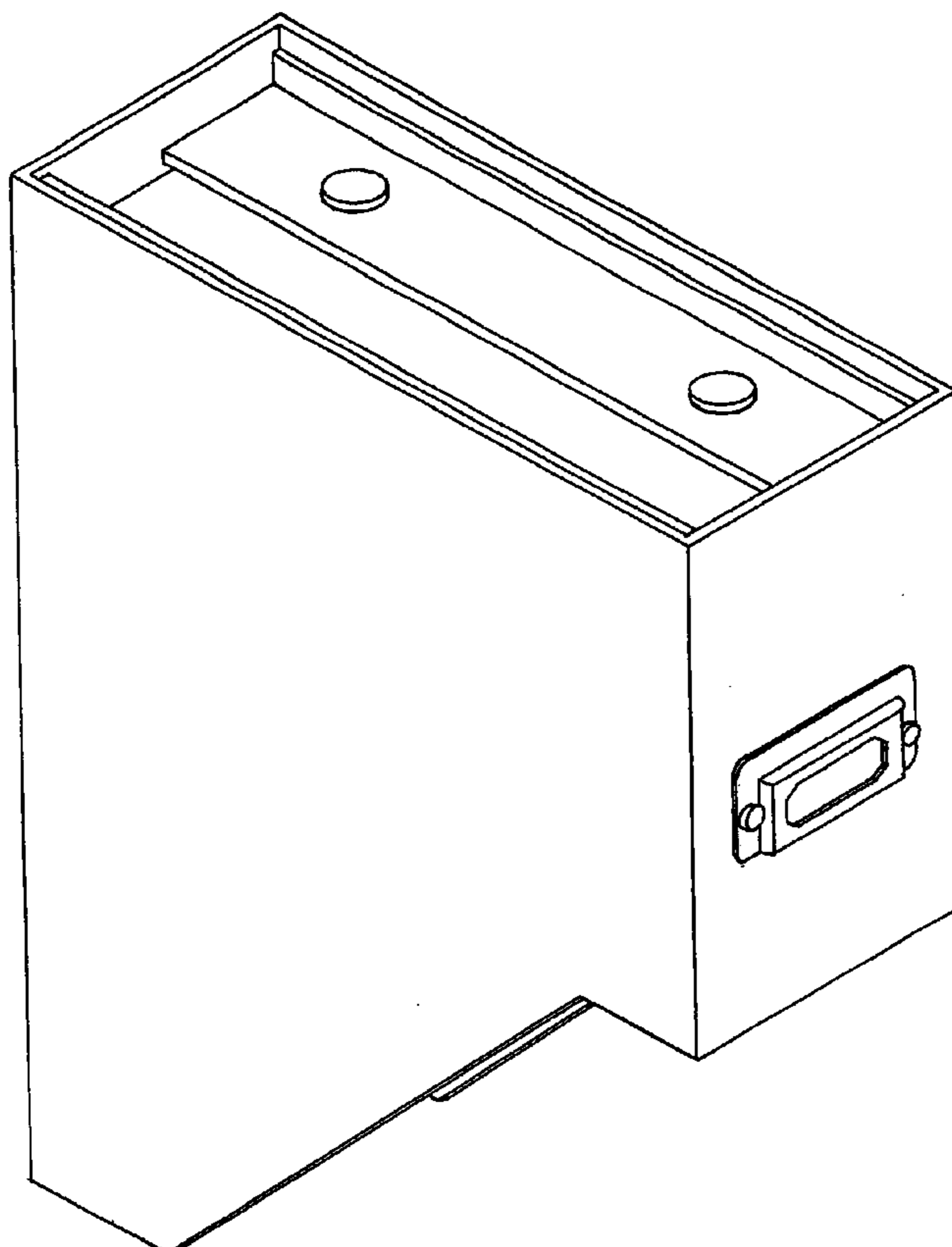
(57) **CLAIM**

The ornamental design for a collapsible magazine holder, as shown and described.

**DESCRIPTION**

FIG. 1 is a bottom perspective view a collapsible magazine holder in an assembled state showing our new design; FIG. 2 is a left side elevation view thereof, the right side being a mirror image thereof; FIG. 3 is a rear elevation view thereof; FIG. 4 is a front elevation view thereof; FIG. 5 is a top plan view thereof; FIG. 6 is a bottom plan view thereof; FIG. 7 is a rear elevation view thereof, shown in a collapsed condition; and, FIG. 8 is a front elevation view thereof, shown in a collapsed condition.

**1 Claim, 6 Drawing Sheets**



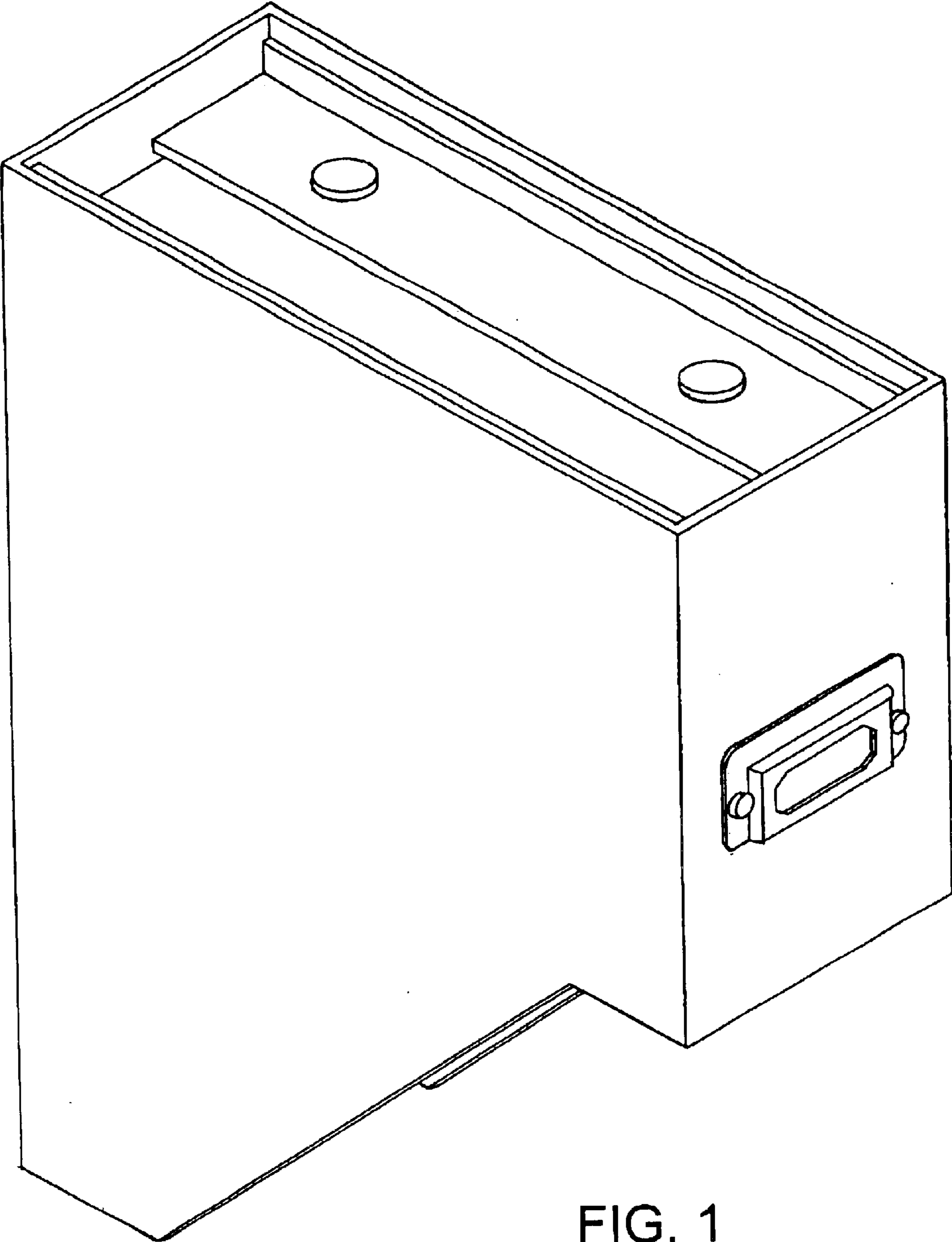


FIG. 1

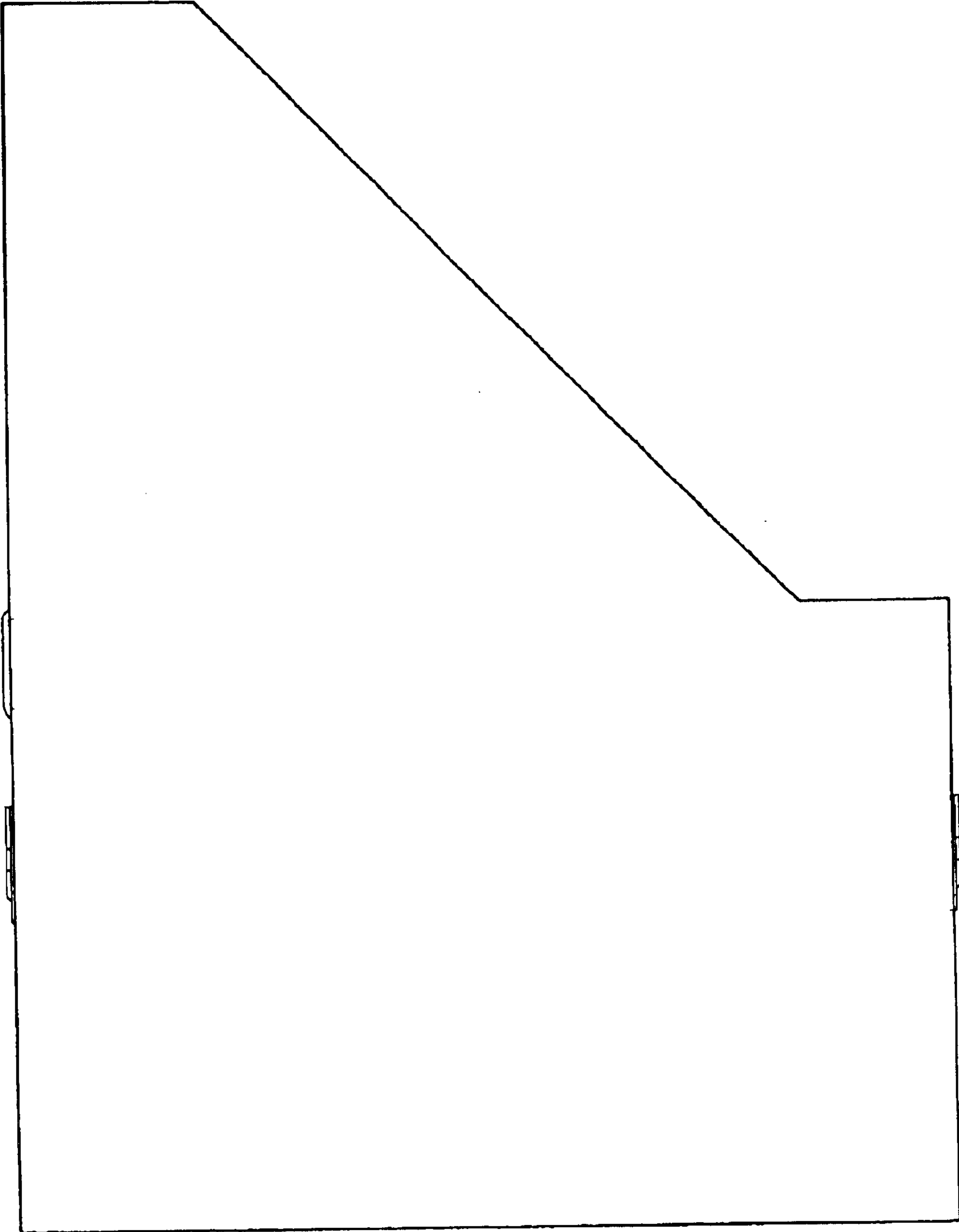


FIG. 2

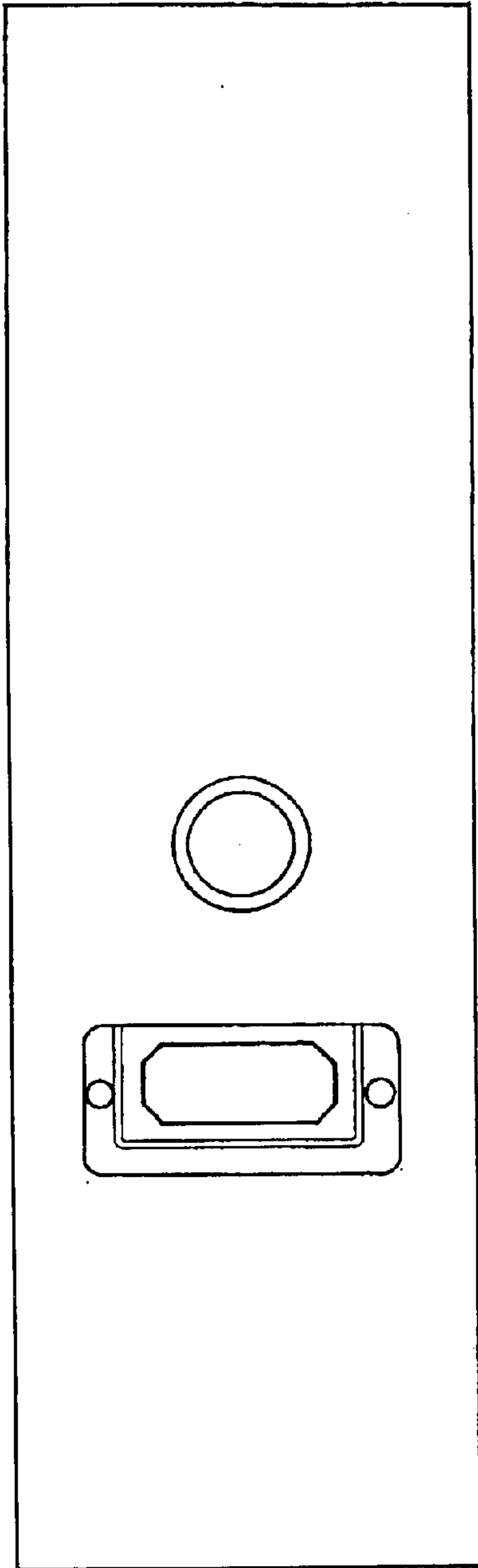


FIG. 3

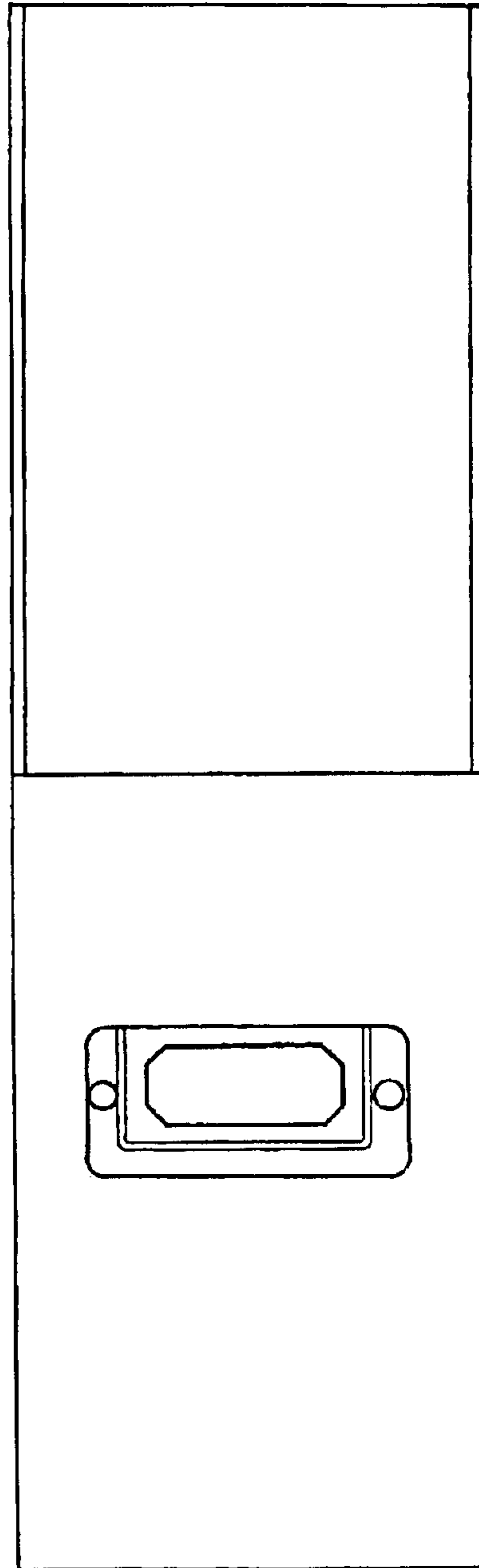


FIG. 4

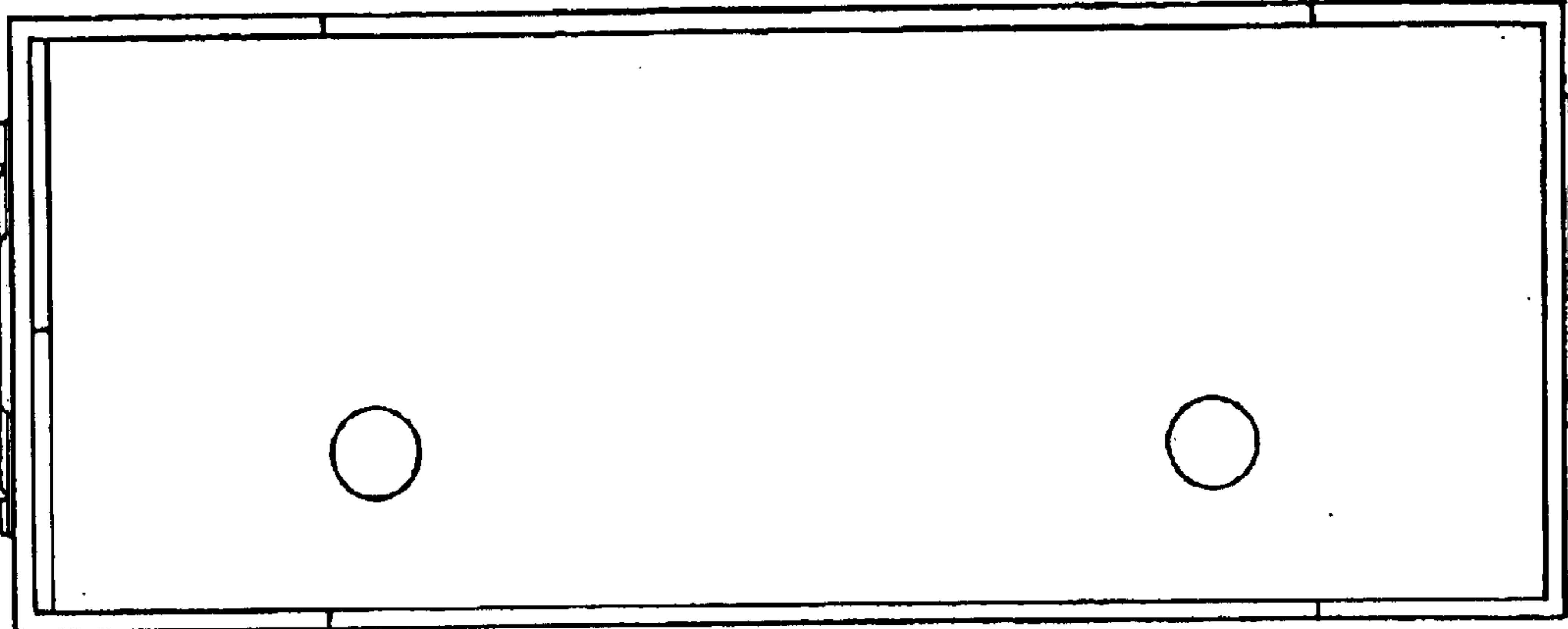


FIG. 5

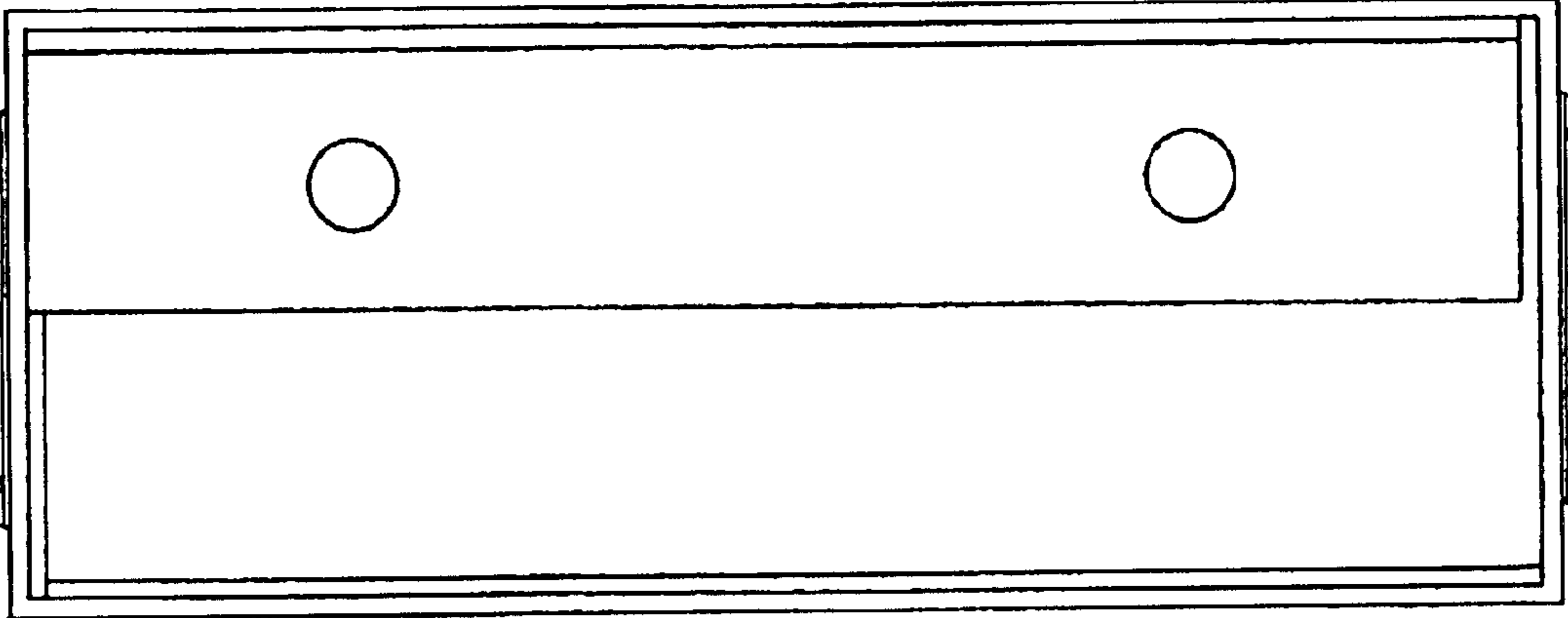


FIG. 6

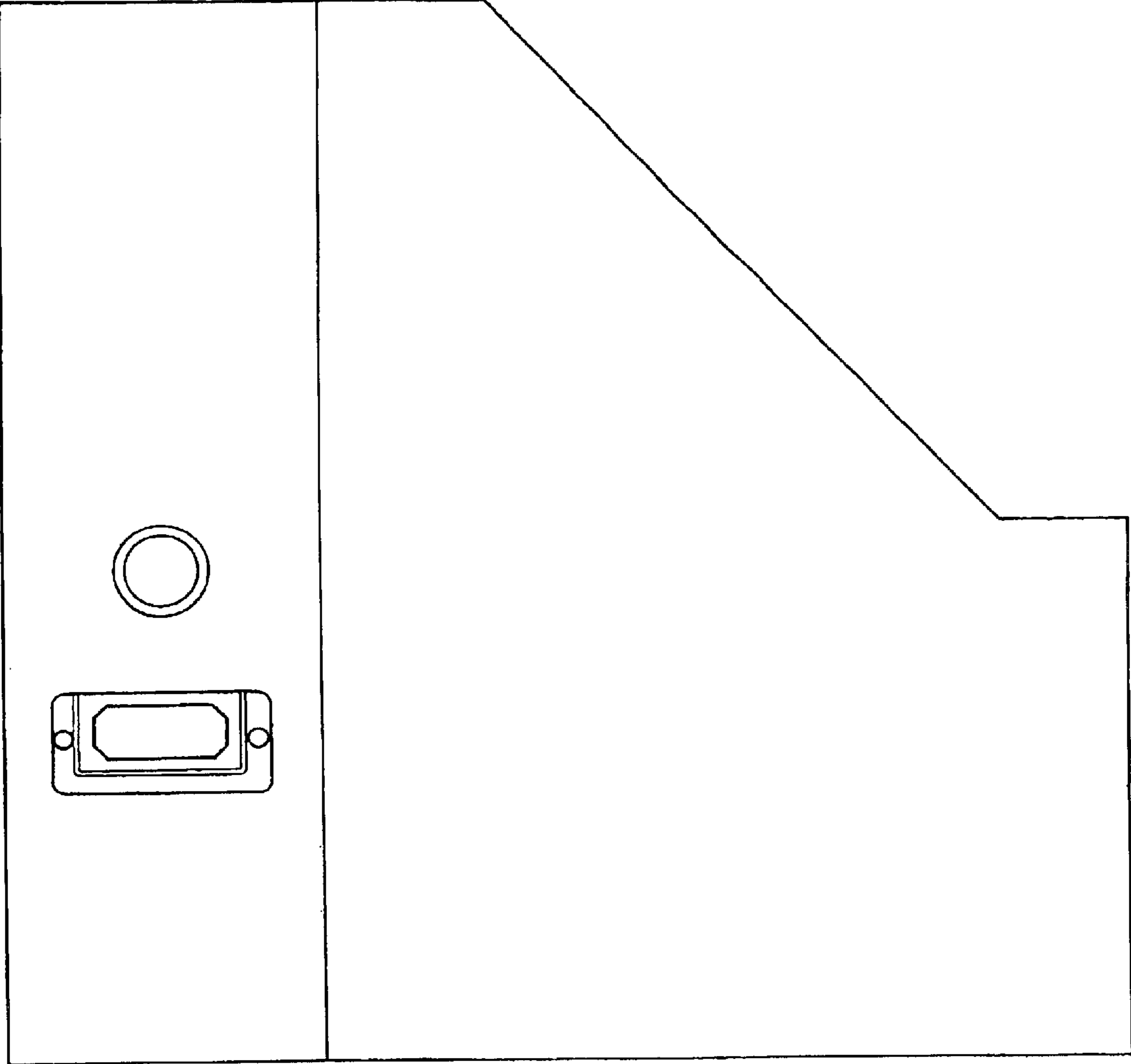


FIG. 7

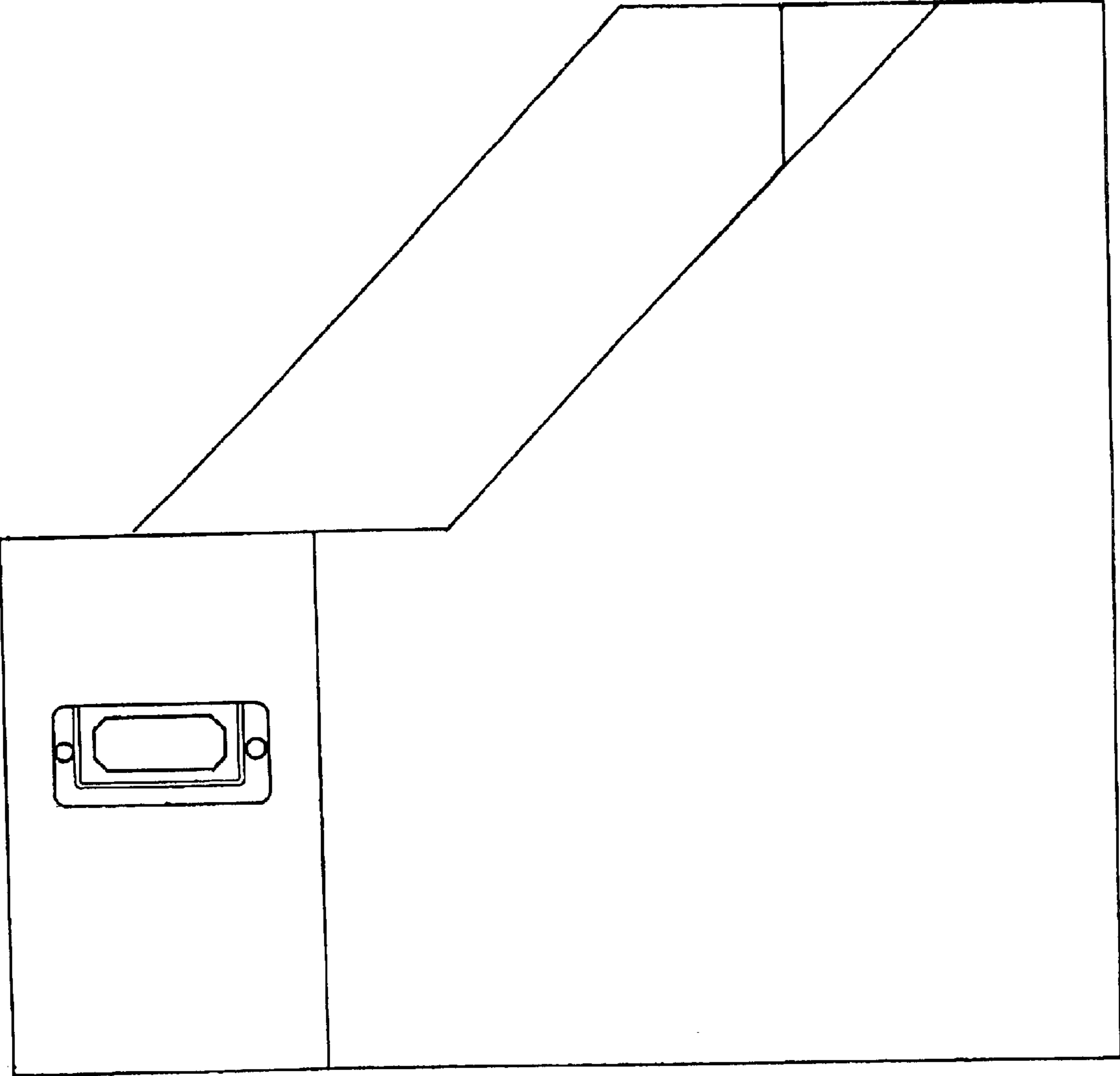


FIG. 8