

US00D500798S

(12) **United States Design Patent**
Yuen

(10) **Patent No.: US D500,798 S**

(45) **Date of Patent: ** Jan. 11, 2005**

(54) **ELECTRICAL PENCIL SHARPENER WITH DIGITAL CLOCK**

4,601,316 A * 7/1986 Verdi 144/28.72
D425,560 S * 5/2000 Yuen D19/73
D454,159 S * 3/2002 Tsuchikura D19/73

(76) Inventor: **Se Kit Yuen**, 6/F., Yau Lee Centre, 46 Hoi Yuen Road, Kwun Tong, Kowloon (CN)

* cited by examiner

Primary Examiner—Martie K. Holtje

(**) Term: **14 Years**

(57) **CLAIM**

(21) Appl. No.: **29/198,251**

The ornamental design for a electrical pencil sharpener with digital clock, as shown and described.

(22) Filed: **Jan. 26, 2004**

DESCRIPTION

(51) **LOC (7) Cl.** **19-06**

(52) **U.S. Cl.** **D19/73; D10/2**

(58) **Field of Search** D10/2, 15; D19/35, D19/36, 65, 73, 74, 75, 95, 99, 100; D8/98, 105; 368/10; 144/28.1, 28.11, 28.2–28.9, 30, 28.71, 28.72; 30/451–453, 454–459

FIG. 1 is a front view of my new design.

FIG. 2 is a rear view thereof.

FIG. 3 is a left view thereof.

FIG. 4 is right view thereof.

FIG. 5 is a top view thereof.

FIG. 6 is an underneath view thereof.

FIG. 7 is a perspective view thereof; and,

FIG. 8 is another perspective view thereof.

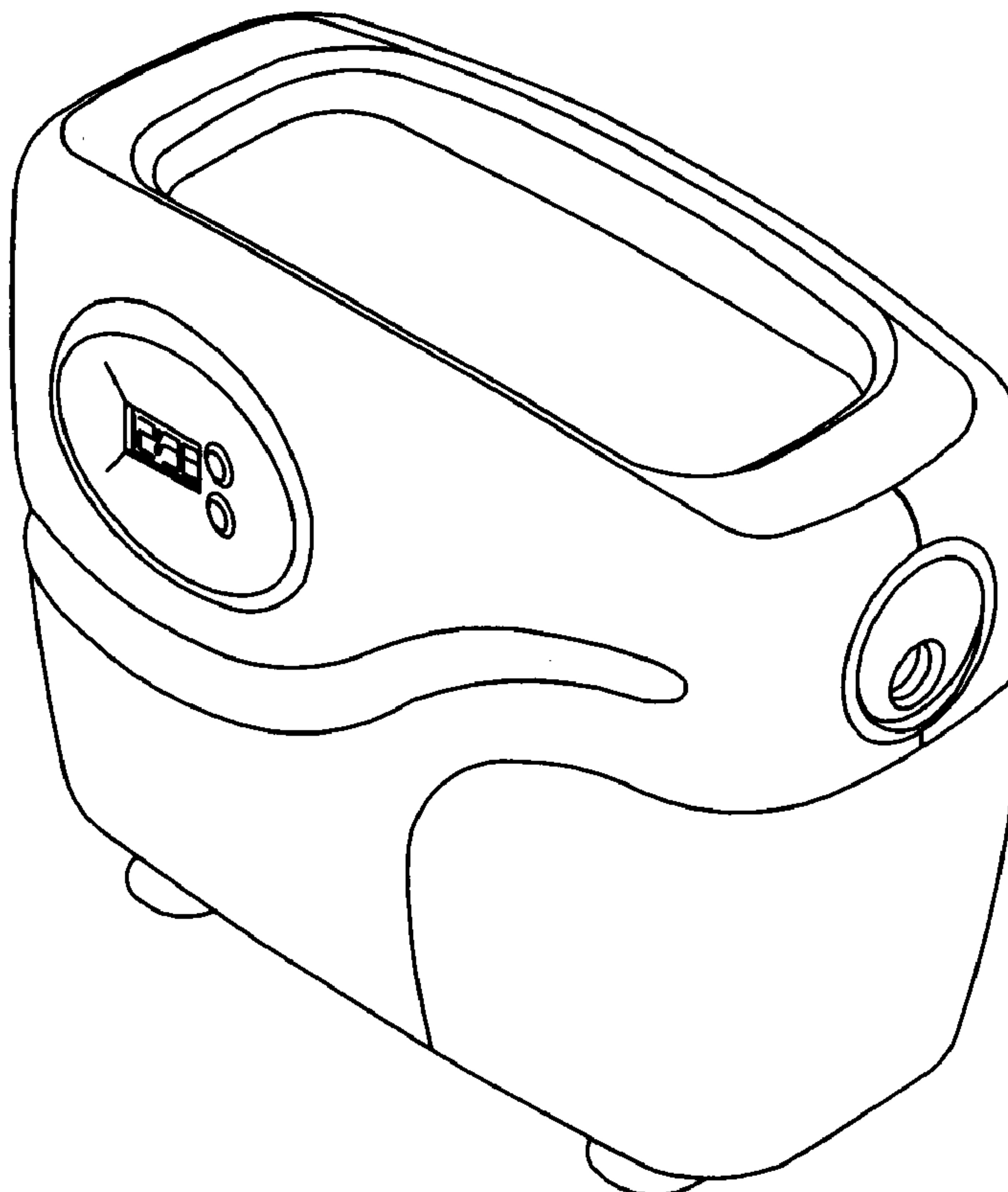
(56) **References Cited**

U.S. PATENT DOCUMENTS

3,134,365 A * 5/1964 Hori D19/73 X
3,486,540 A * 12/1969 Hori 144/28.5
D221,907 S * 9/1971 Kajiwara D19/73
D222,188 S * 10/1971 Kajiwara D19/73

The surface(s) or portion(s) of the article not shown in the drawing or described in the specification form(s) no part of the claimed design.

1 Claim, 8 Drawing Sheets



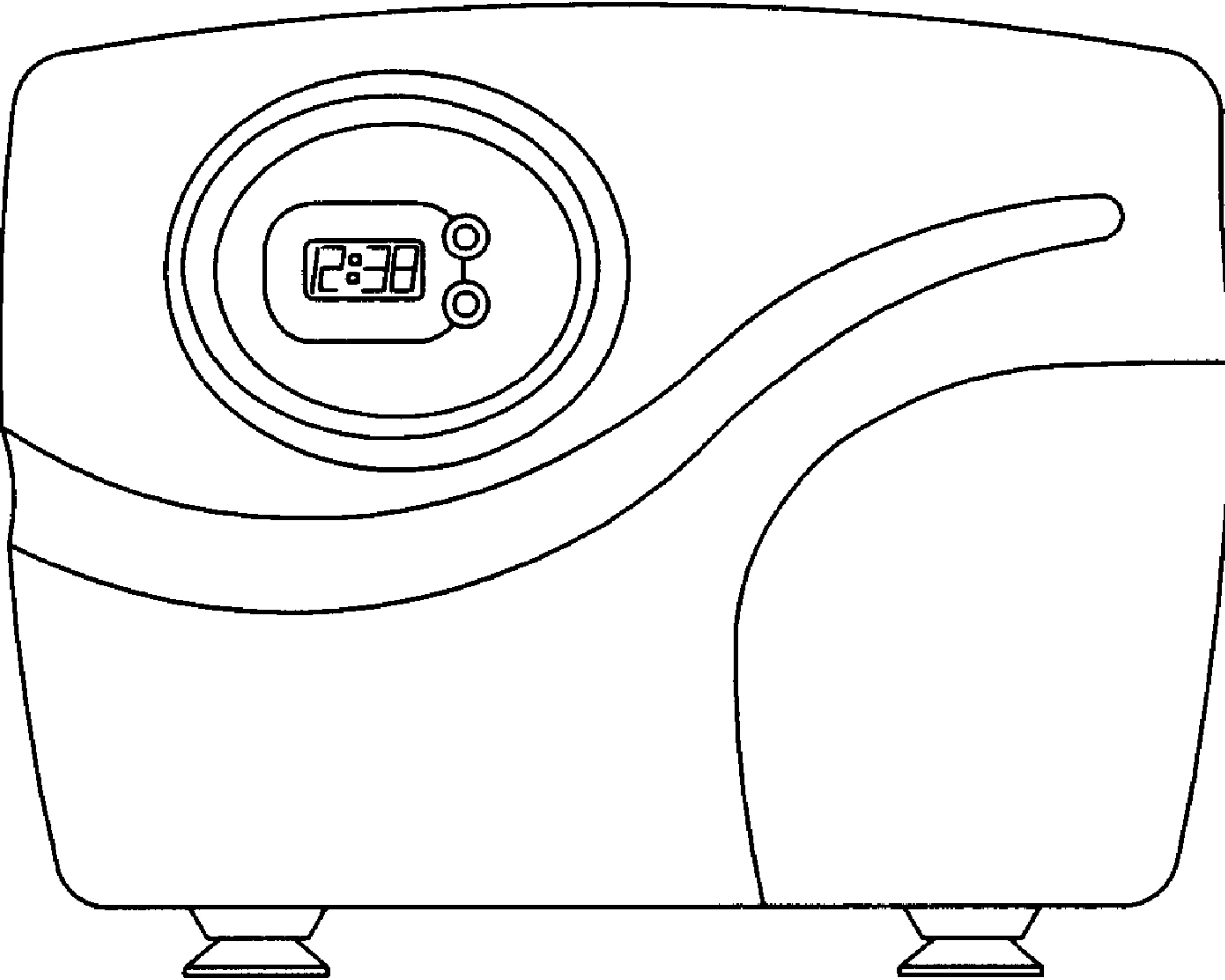


Fig. 1

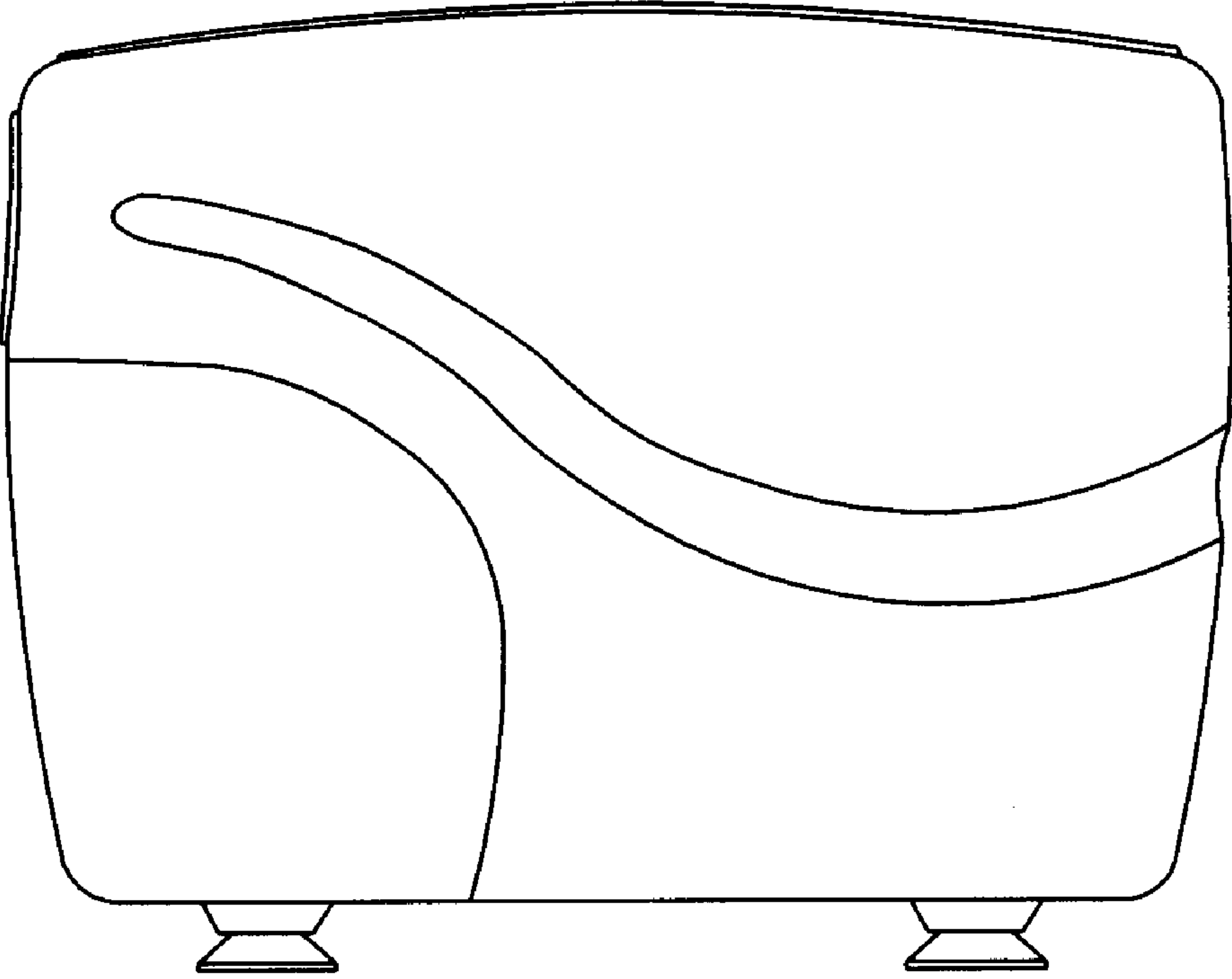


Fig. 2

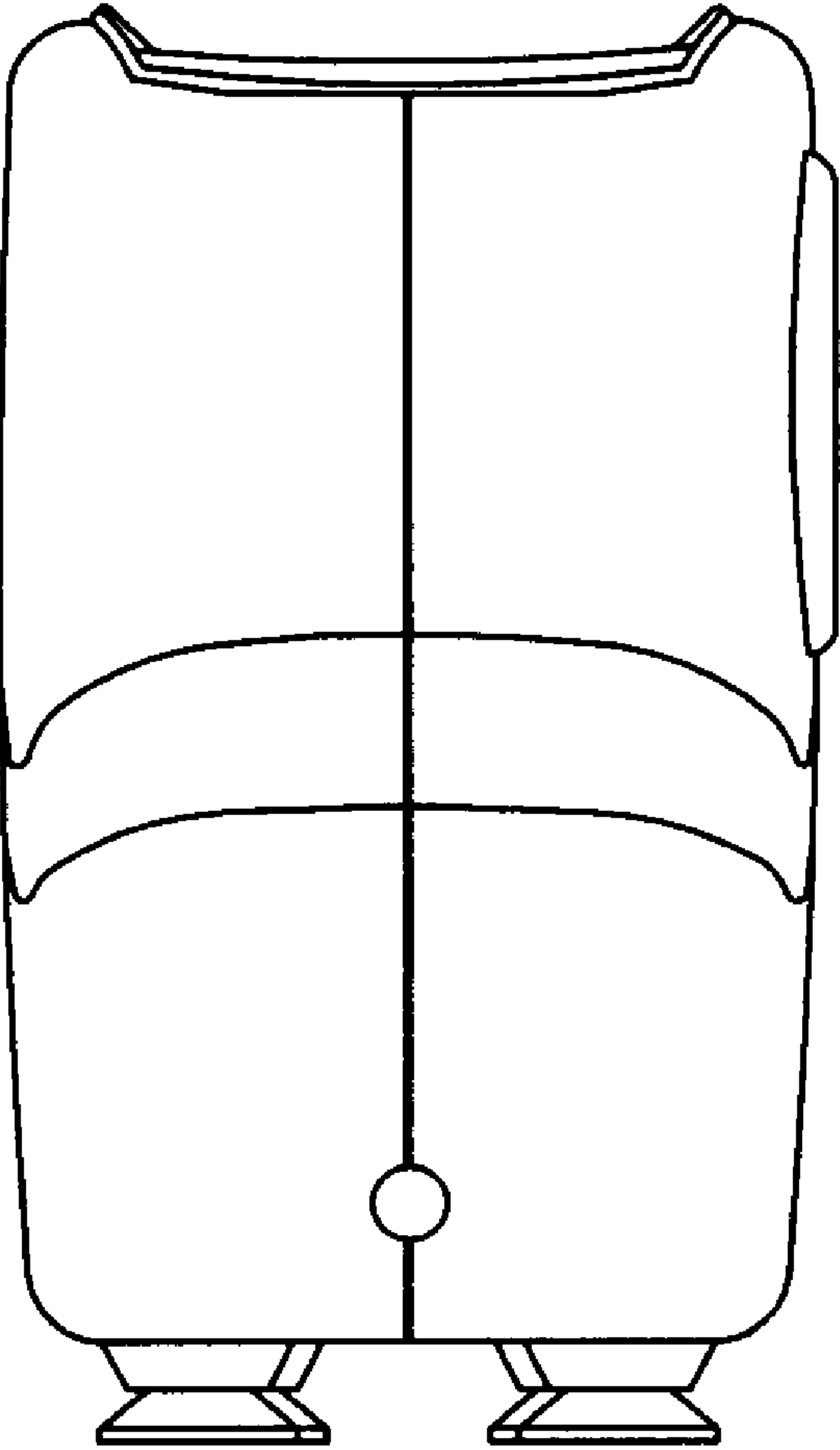


Fig. 3

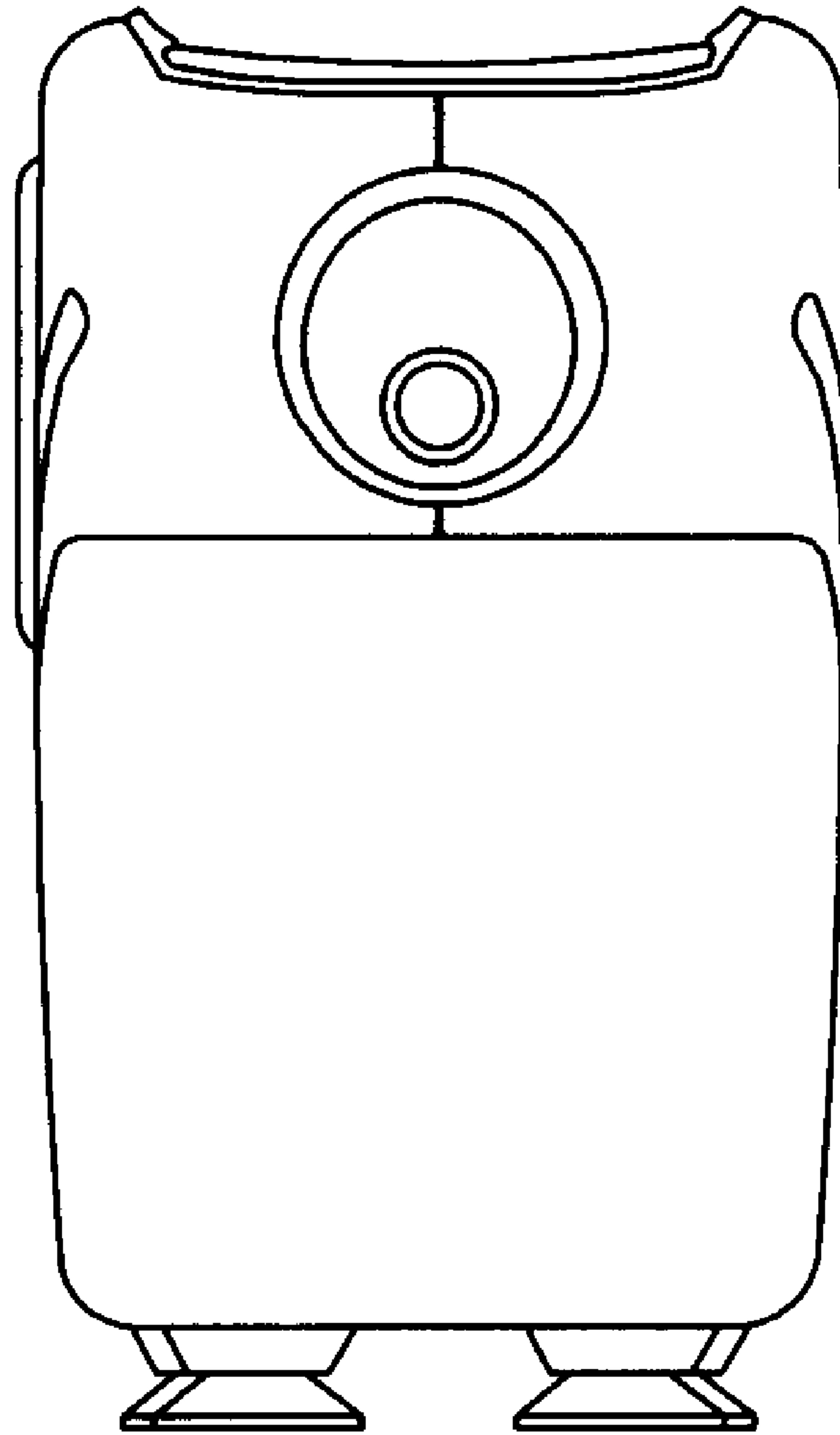


Fig. 4

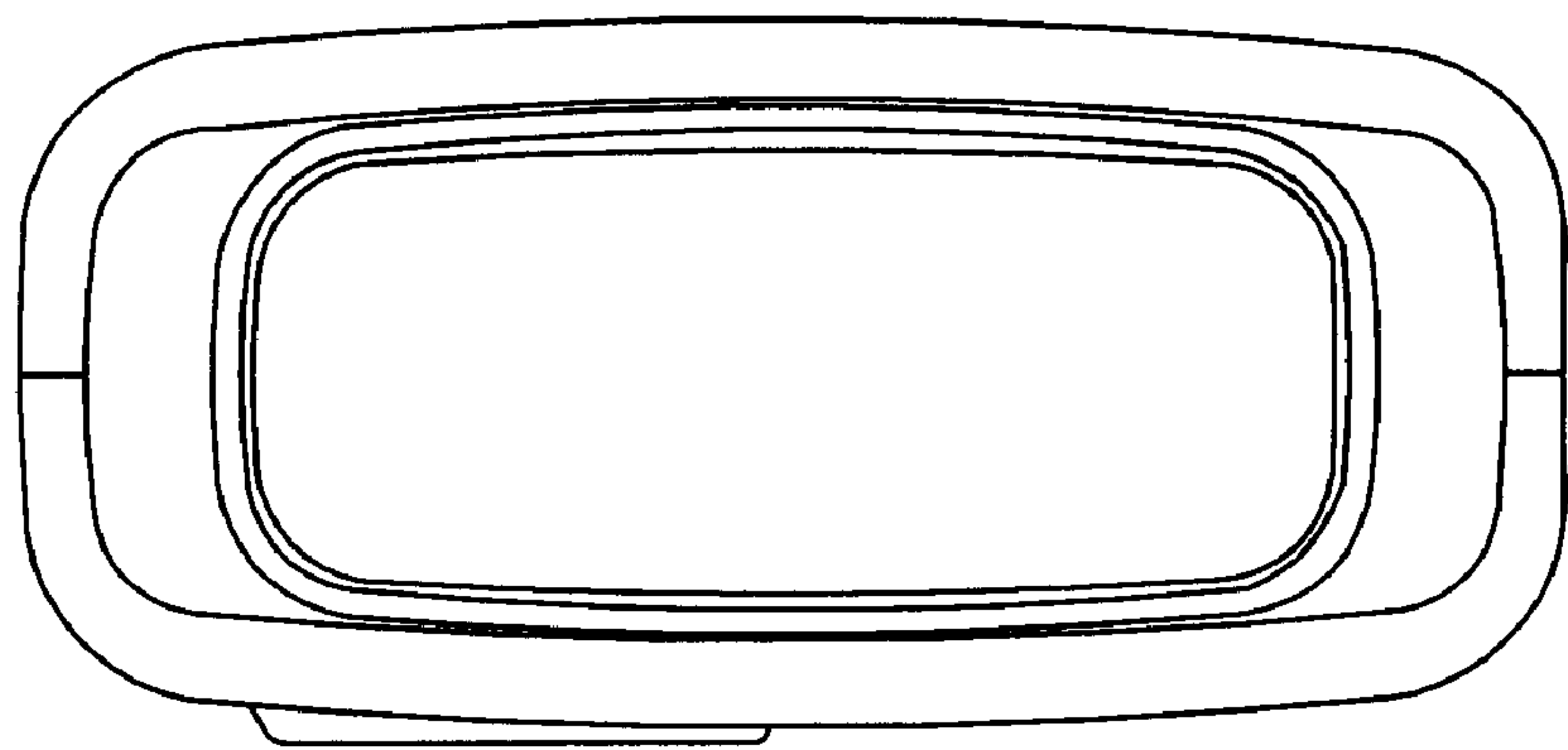


Fig. 5

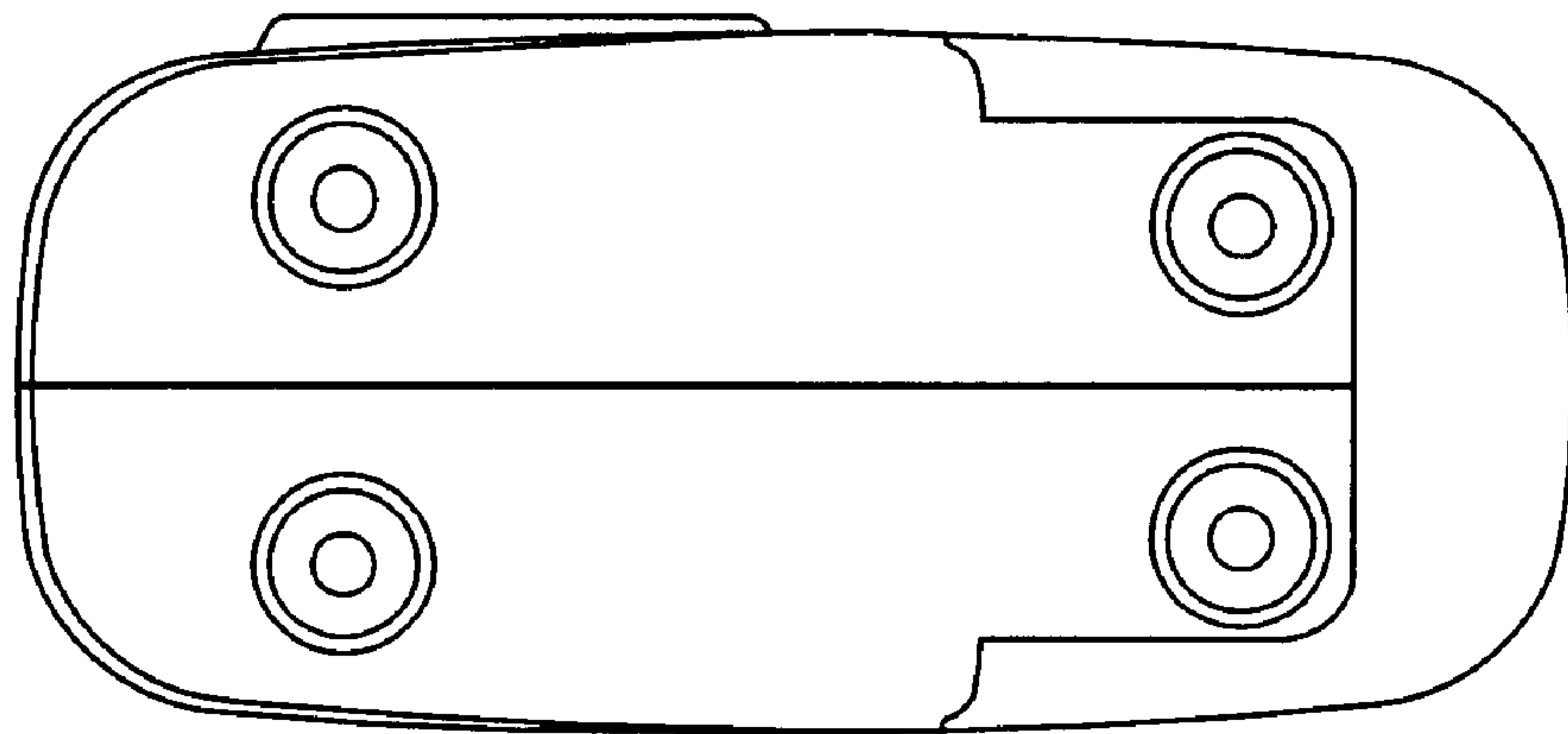


Fig. 6

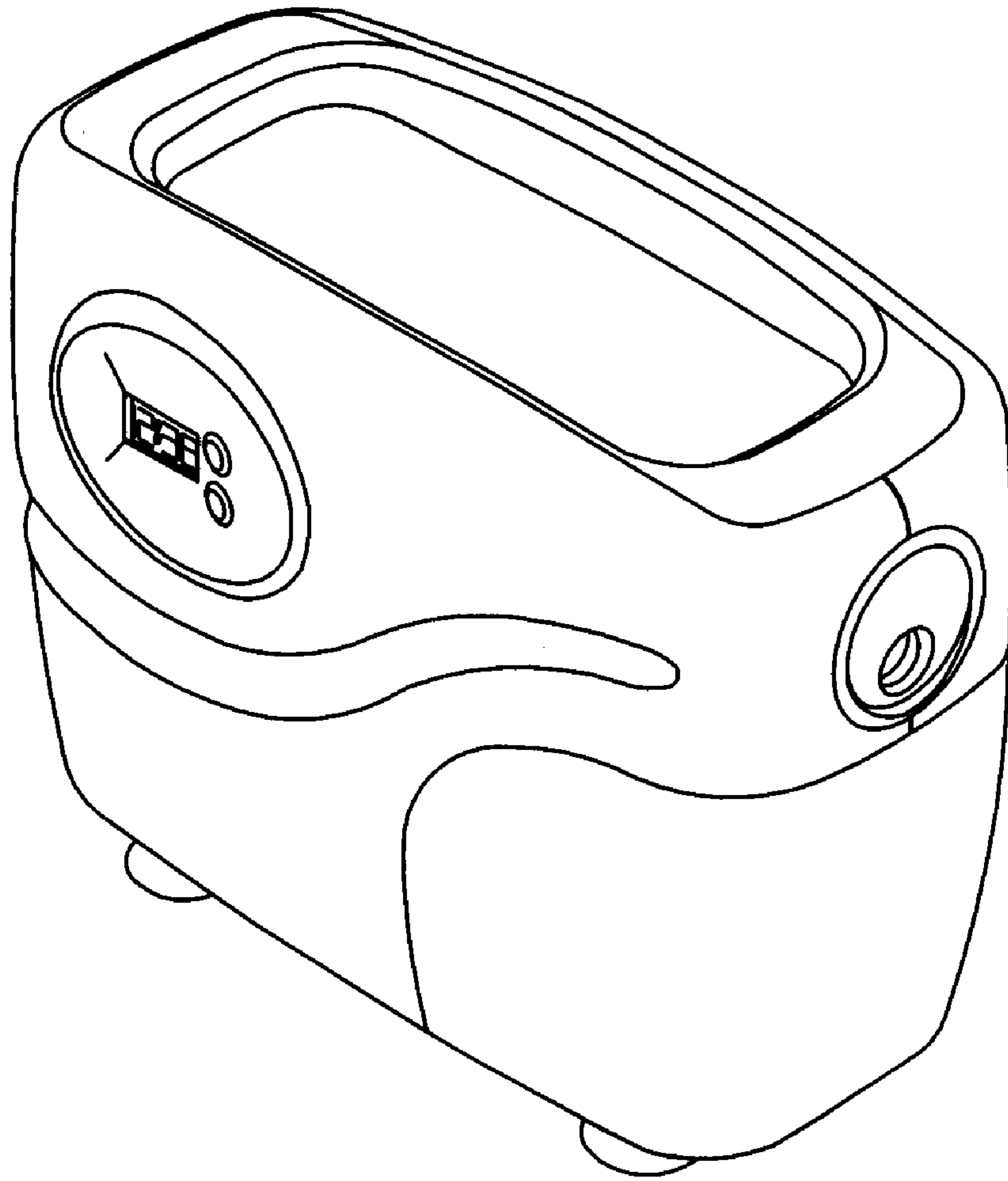


Fig. 7

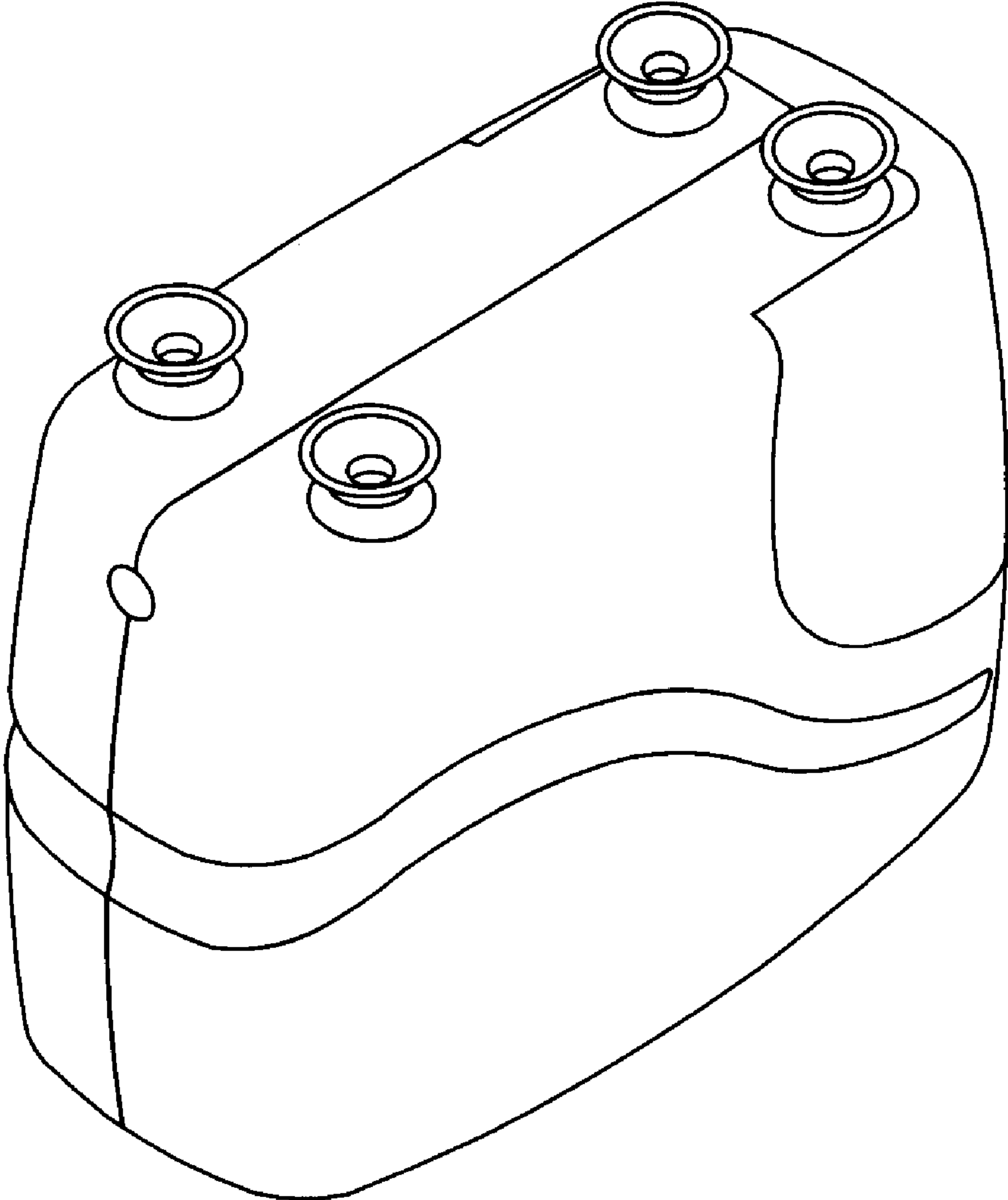


Fig. 8