

US00D500797S

(12) **United States Design Patent**  
**Dunlap**

(10) **Patent No.: US D500,797 S**  
(45) **Date of Patent: \*\* Jan. 11, 2005**

(54) **PENCIL SHARPENER**

(75) Inventor: **Benjamin C. Dunlap**, Charlotte, NC  
(US)

(73) Assignee: **Hunt Holdings, Inc.**, Wilmington, DE  
(US)

(\*\*) Term: **14 Years**

(21) Appl. No.: **29/196,401**

(22) Filed: **Dec. 29, 2003**

(51) **LOC (7) Cl.** ..... **19-06**

(52) **U.S. Cl.** ..... **D19/73; D19/75; D19/77;**  
**D19/84; D10/2**

(58) **Field of Search** ..... **D19/35, 36, 65,**  
**D19/73, 74, 75, 76-78, 81-85, 95, 99,**  
**100; D10/31; 206/214, 224, 371; 144/28.1,**  
**28.11, 28.2-28.8, 28.72, 28.9, 30; 30/451-459;**  
**401/52, 195, 50, 51**

(56) **References Cited**

**U.S. PATENT DOCUMENTS**

D143,532 S	*	1/1946	Hoffman	.....	D19/73
D186,702 S	*	11/1959	Bunn	.....	D19/84
D187,120 S	*	1/1960	Smith	.....	D19/73
3,004,522 A	*	10/1961	Kent	.....	144/28.5
D238,945 S	*	2/1976	Macowski	.....	D19/73 X

D240,223 S	*	6/1976	MacGregor	.....	D19/73
D253,897 S	*	1/1980	Cross	.....	D19/75
4,991,712 A	*	2/1991	Wagner	.....	206/214
D421,462 S	*	3/2000	Orchanian	.....	D19/77
D451,962 S	*	12/2001	Thornton	.....	D19/78

\* cited by examiner

*Primary Examiner*—Martie K. Holtje

(74) *Attorney, Agent, or Firm*—McNees Wallace & Nurick  
LLC

(57) **CLAIM**

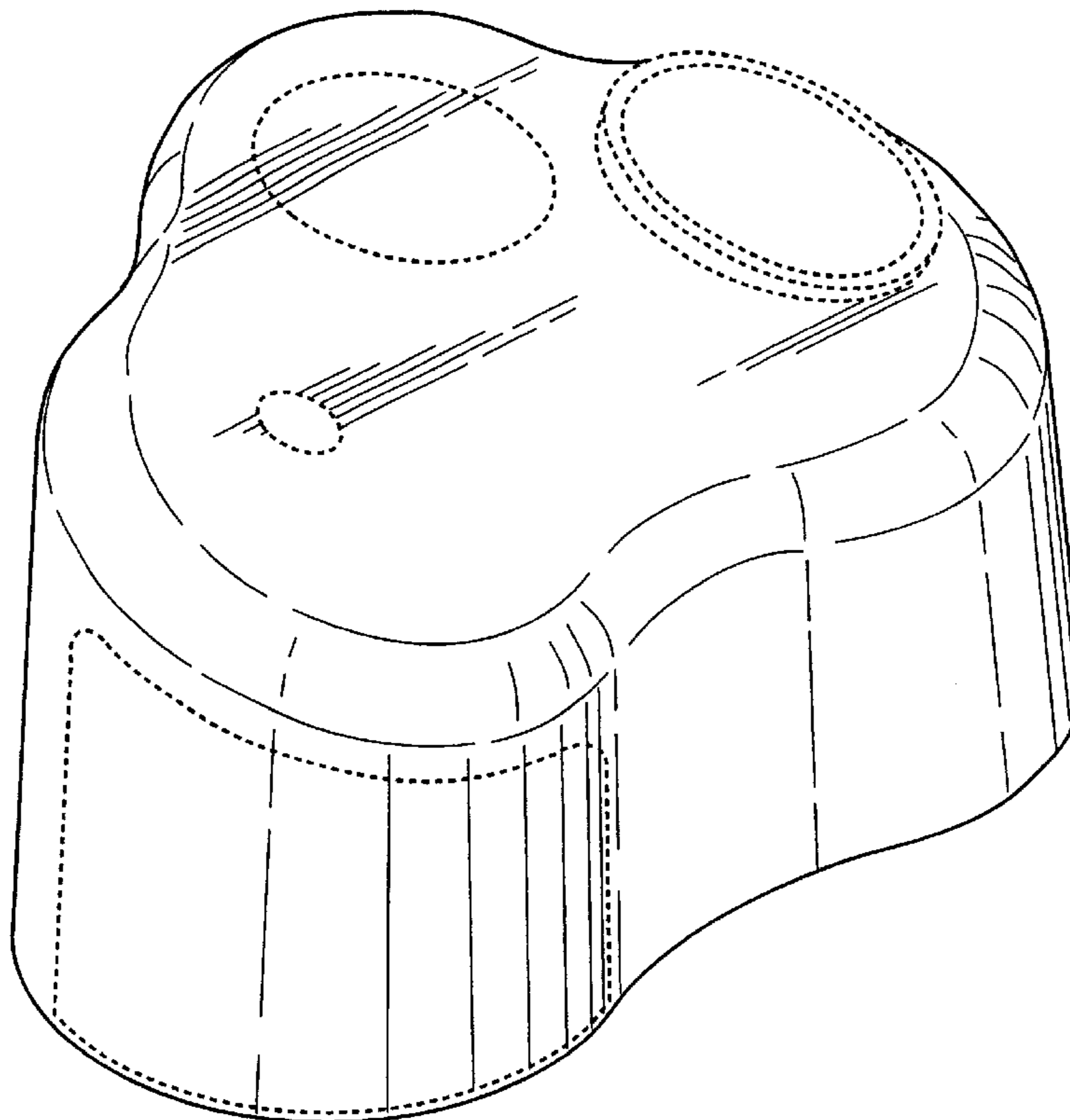
The ornamental design for a pencil sharpener, as shown and described.

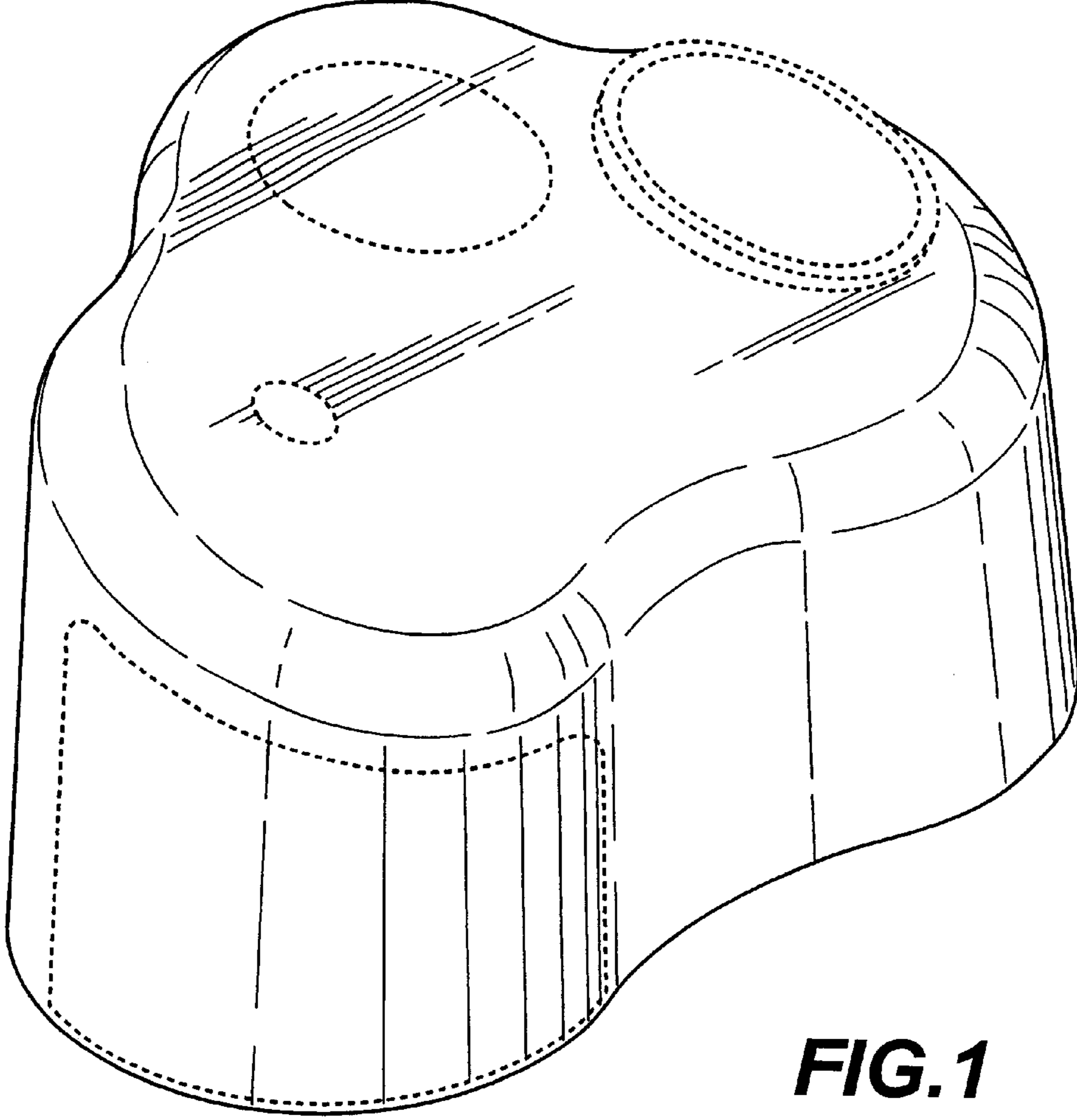
**DESCRIPTION**

FIG. 1 is a front perspective view of a pencil sharpener showing my new design;  
FIG. 2 is a front elevational view thereof;  
FIG. 3 is a rear elevational view thereof;  
FIG. 4 is a left side elevational view thereof;  
FIG. 5 is a right side elevational view thereof;  
FIG. 6 is a top plan view thereof; and,  
FIG. 7 is a bottom plan view thereof.

The pencil opening, shavings drawer, clock and/or caddy depicted by means of broken lines have been shown for illustrative purposes only and forms no part of the claimed design.

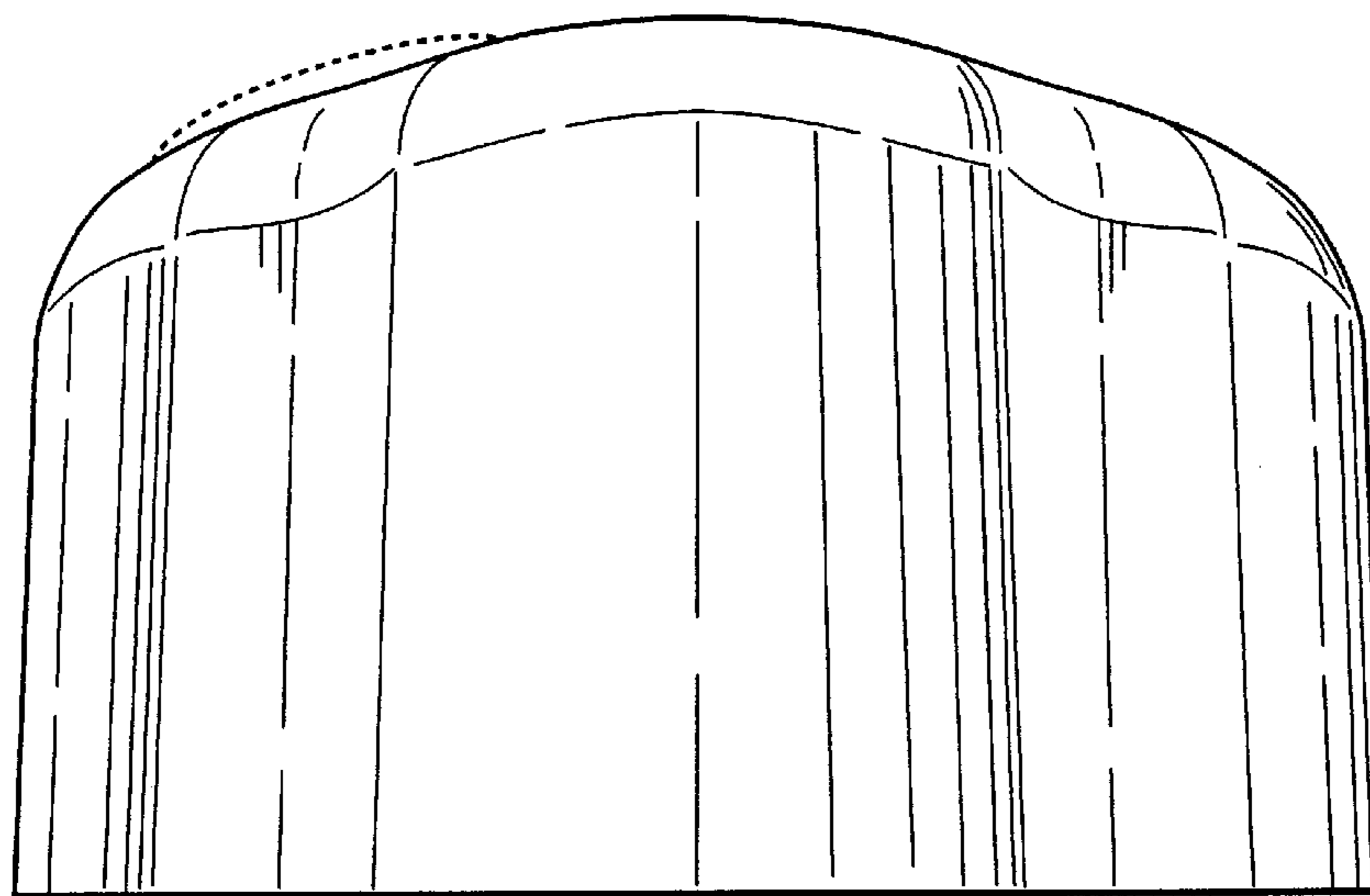
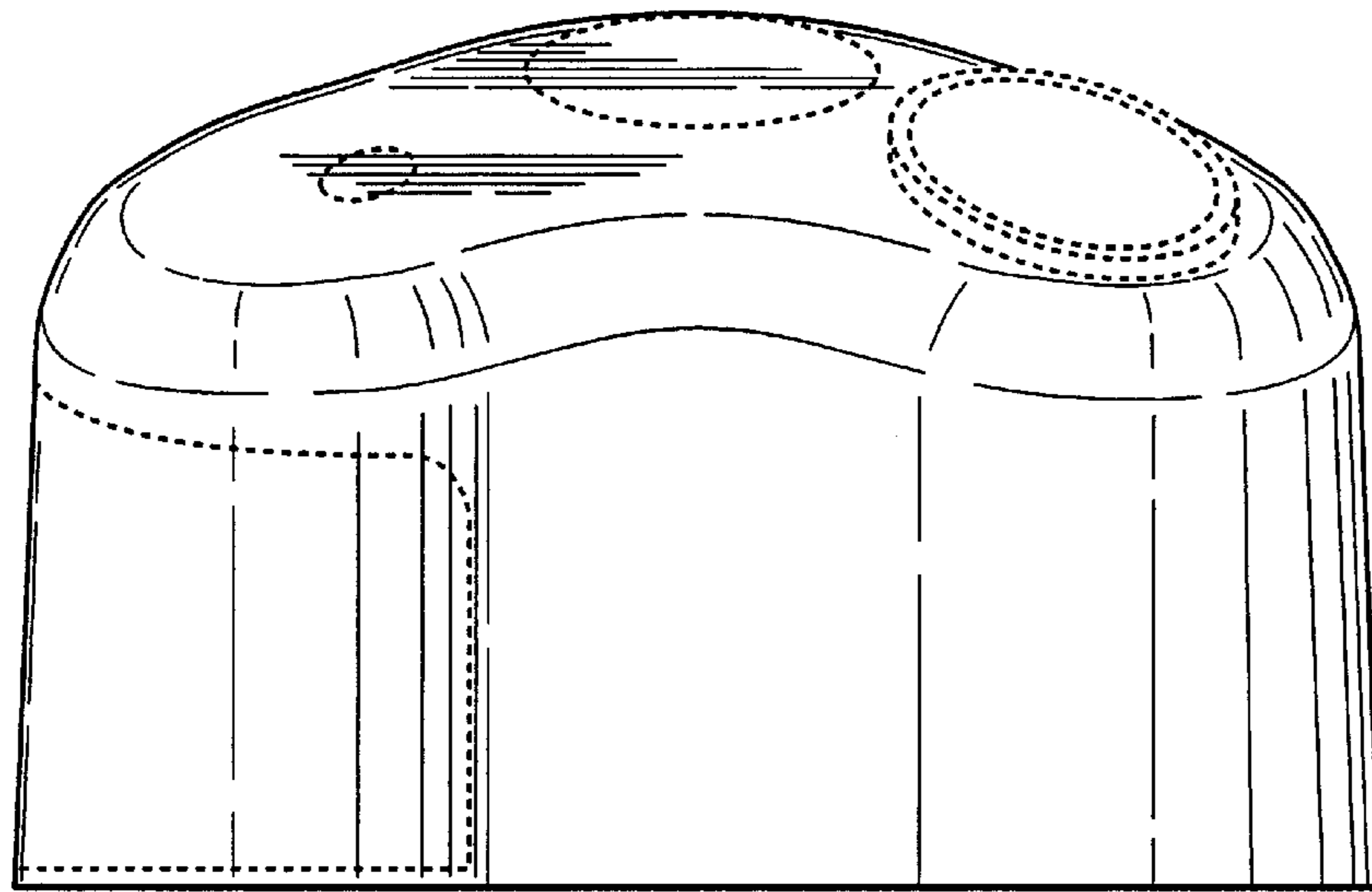
**1 Claim, 3 Drawing Sheets**



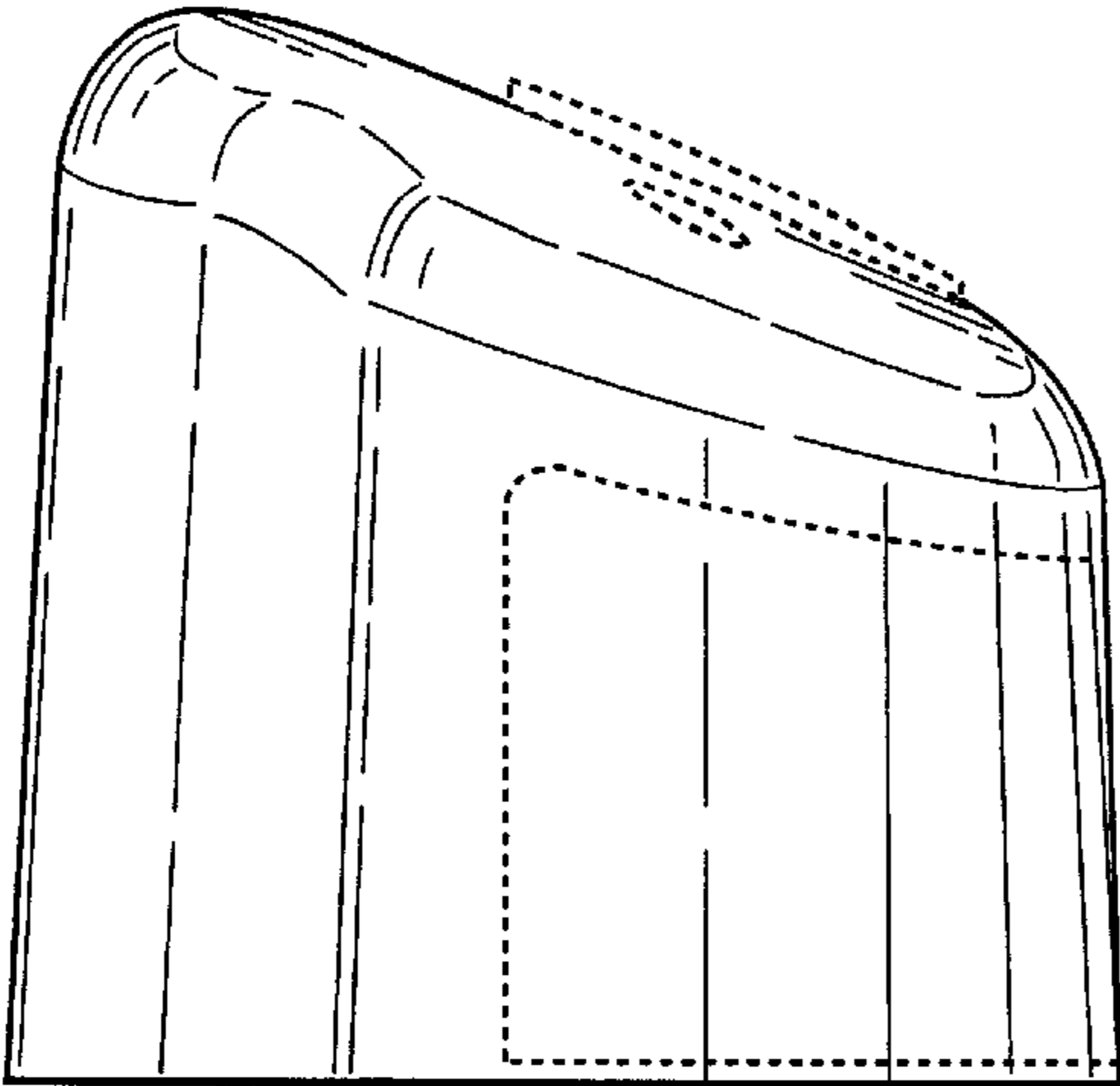


**FIG. 1**

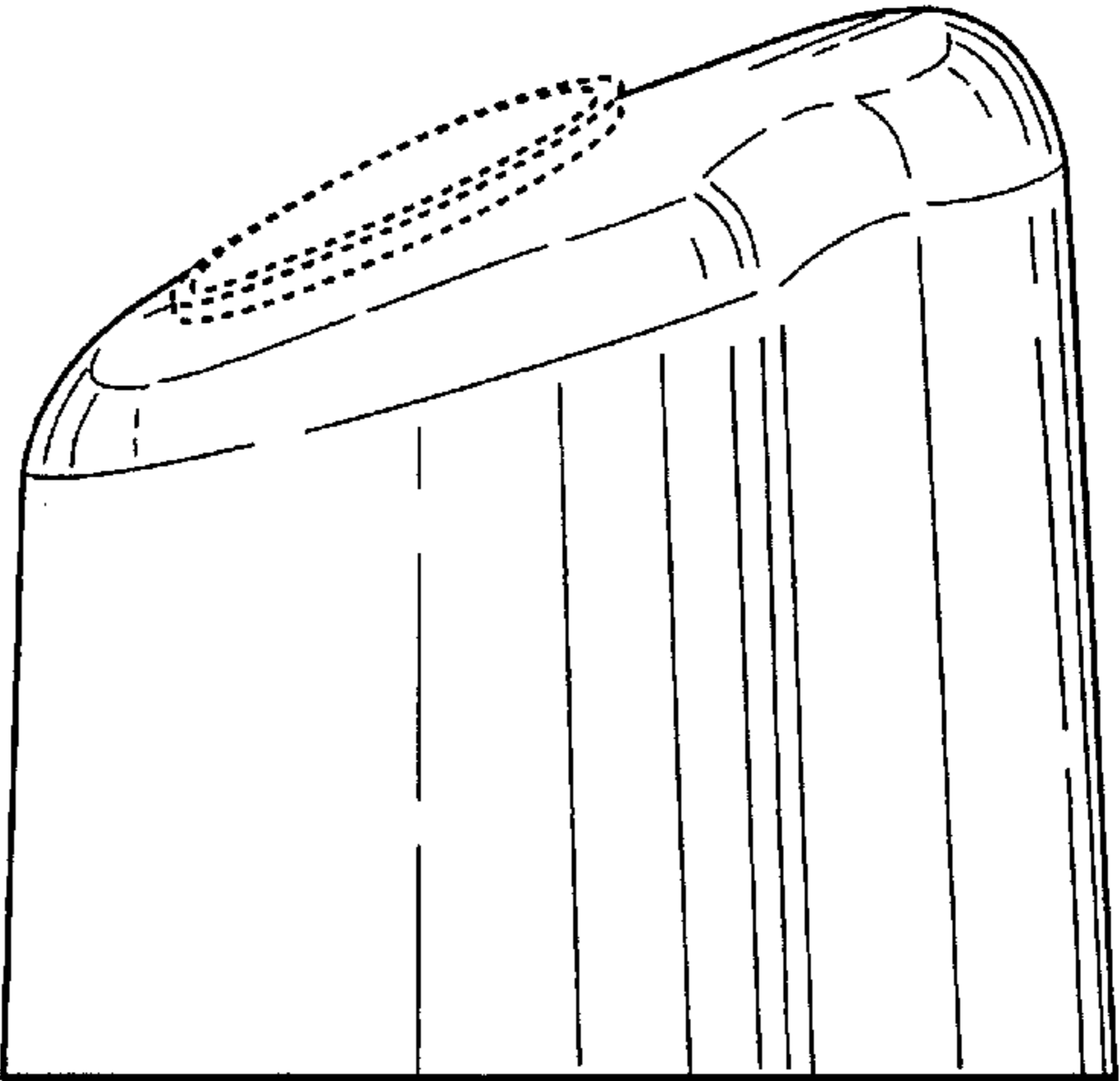
**FIG.2**



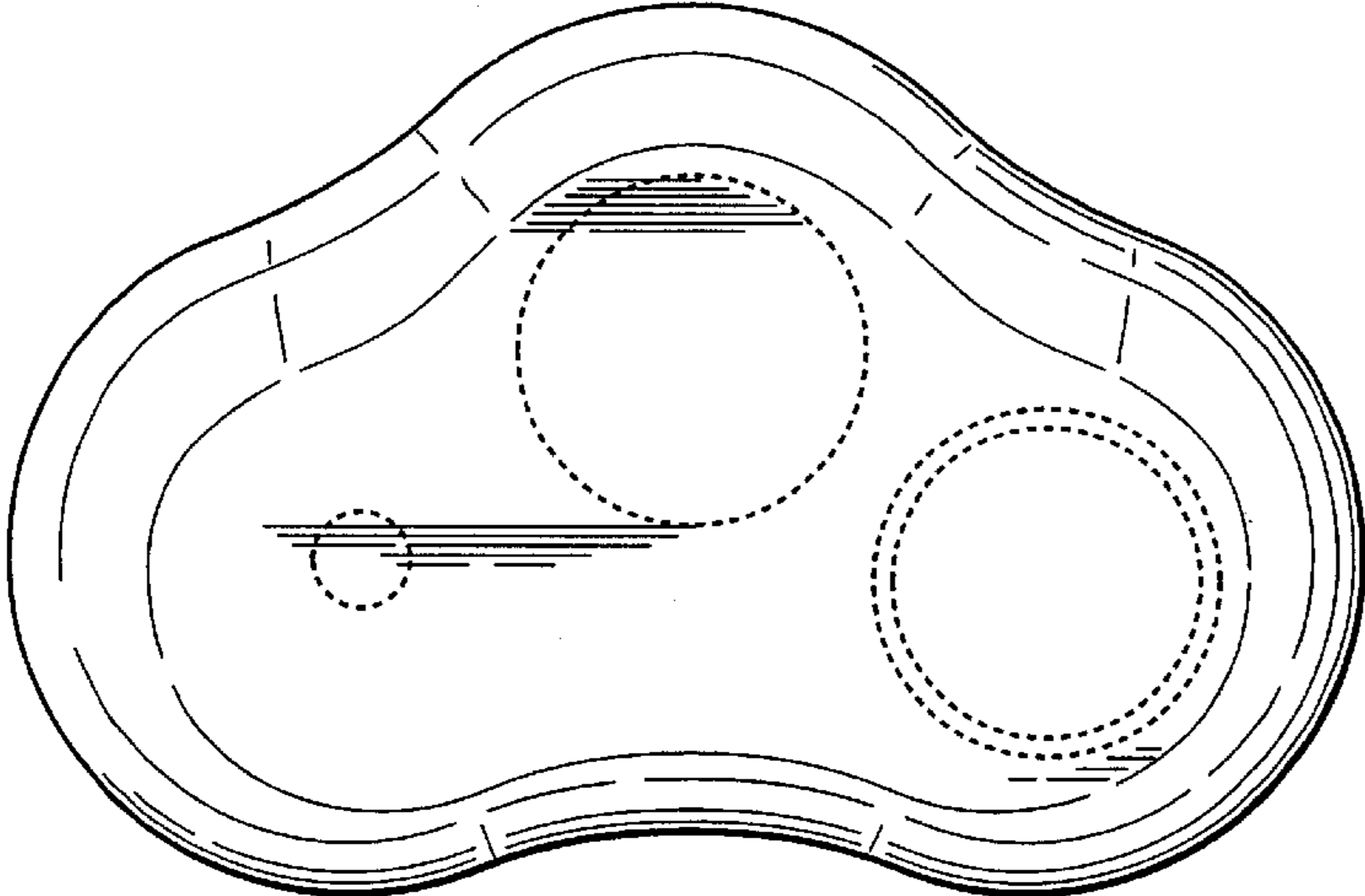
**FIG.3**



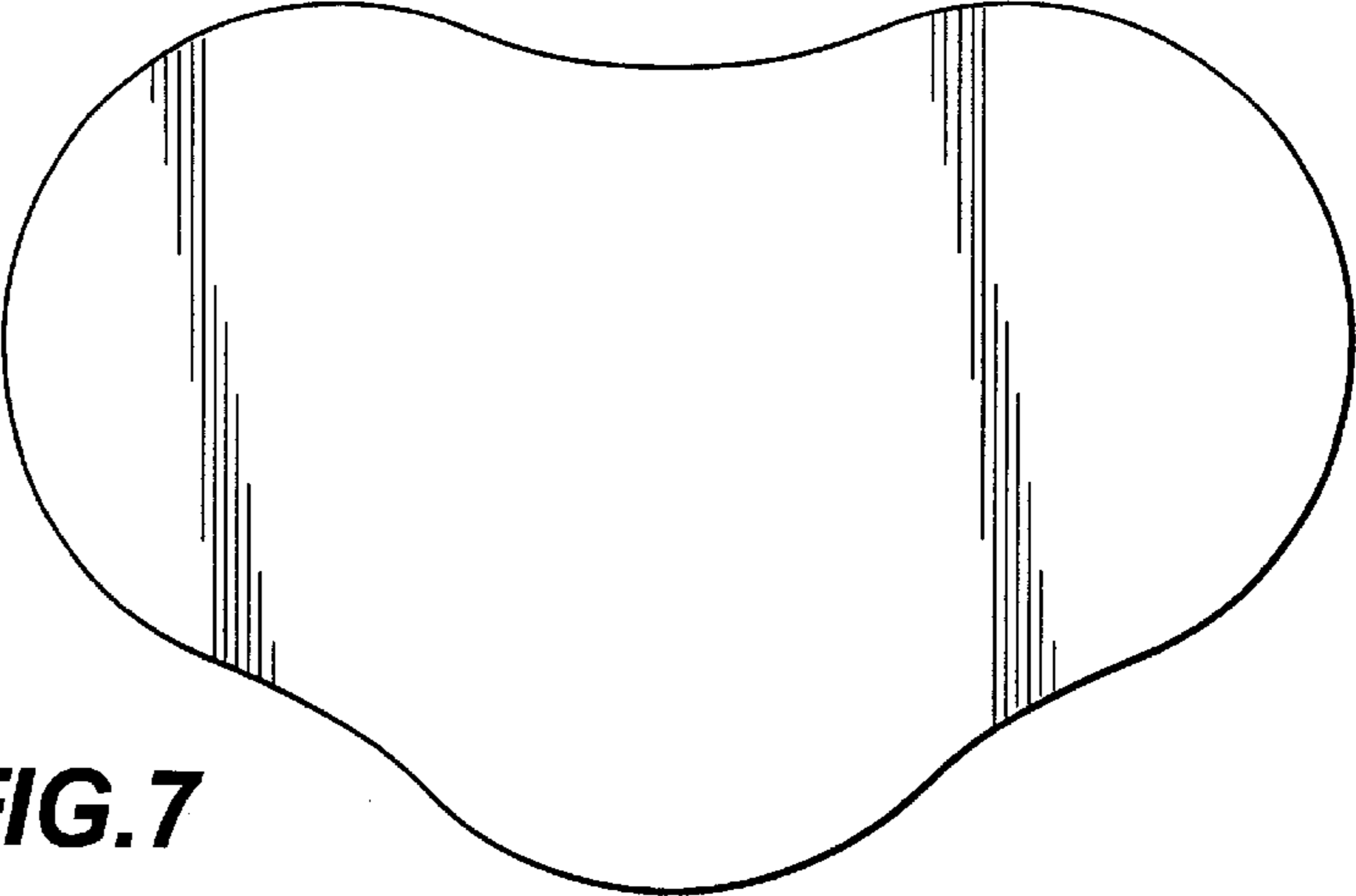
**FIG.4**



**FIG.5**



**FIG.6**



**FIG.7**