



US00D500795S

(12) **United States Design Patent**
Andersson et al.

(10) **Patent No.:** **US D500,795 S**
(45) **Date of Patent:** **** Jan. 11, 2005**

(54) **WRITING END OF AN ELECTRONIC PEN**

D483,806 S * 12/2003 Fermgård D19/84

(75) Inventors: **Lennart Andersson**, Vallentuna (SE);
Oskar Fjellman, Solna (SE)

* cited by examiner

(73) Assignee: **Anoto AB**, Lund (SE)

Primary Examiner—Martie K. Holtje
(74) *Attorney, Agent, or Firm*—Birch, Stewart, Kolasch & Birch, LLP

(**) Term: **14 Years**

(57) **CLAIM**

(21) Appl. No.: **29/168,888**

The ornamental design for the writing end of an electronic pen, as shown and described.

(22) Filed: **Oct. 11, 2002**

(30) **Foreign Application Priority Data**

DESCRIPTION

Apr. 12, 2002 (SE) 02-0622

(51) **LOC (7) Cl.** **19-06**

(52) **U.S. Cl.** **D19/55; D19/54; D14/411**

(58) **Field of Search** D14/411; D19/35,
D19/36, 41–51, 53–58, 81–85; 401/52,
98, 195, 202, 209, 213, 243–247, 262,
99–117; 178/19.01–19.05; 345/179–183

FIG. 1 is a top perspective view of a writing end of an electronic pen showing our new design, the pen body depicted by means of broken lines being shown for illustrative purposes only and forming no part of the claimed design;

FIG. 2 is a second top perspective view thereof, the pen tip removed for ease of illustration;

FIG. 3 is a top plan view of FIG. 2;

FIG. 4 is a rear elevational view of FIG. 2;

FIG. 5 is a front elevational view of FIG. 2;

FIG. 6 is a right side elevational view of FIG. 2; and,

FIG. 7 is a left side elevational view of FIG. 2.

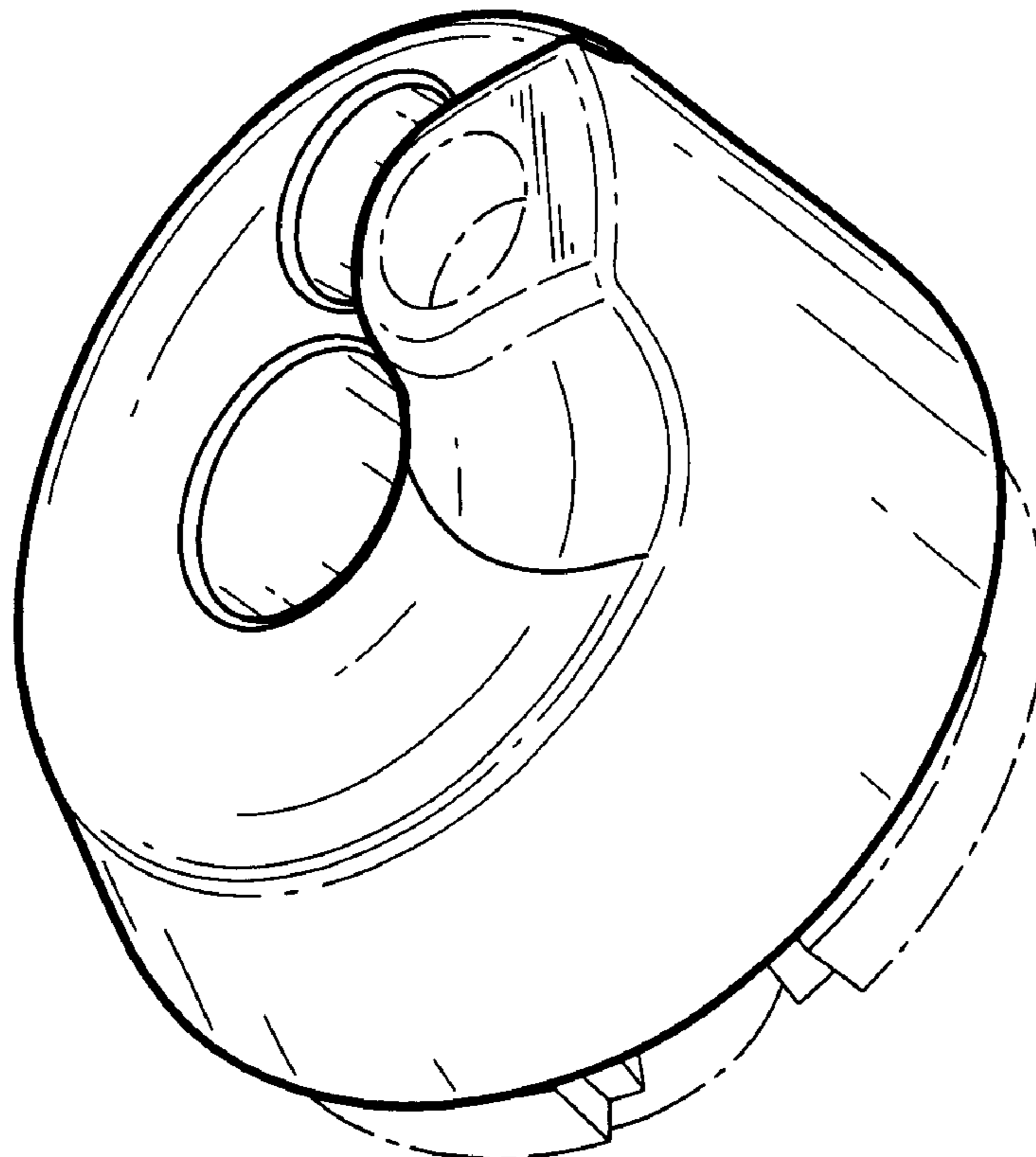
The structure depicted by means of broken lines in FIGS. 2 and 4 through 7 has been shown for illustrative purposes only and forms no part of the claimed design.

(56) **References Cited**

U.S. PATENT DOCUMENTS

2,592,406	A	*	4/1952	Faltin	401/216
3,352,621	A	*	11/1967	Fehling et al.	401/109
D299,660	S	*	1/1989	Gordo	D19/54
D456,411	S	*	4/2002	Kourushi	D14/411
6,515,654	B1	*	2/2003	Liao	178/19.01
D472,240	S	*	3/2003	Seog	D14/411

1 Claim, 2 Drawing Sheets



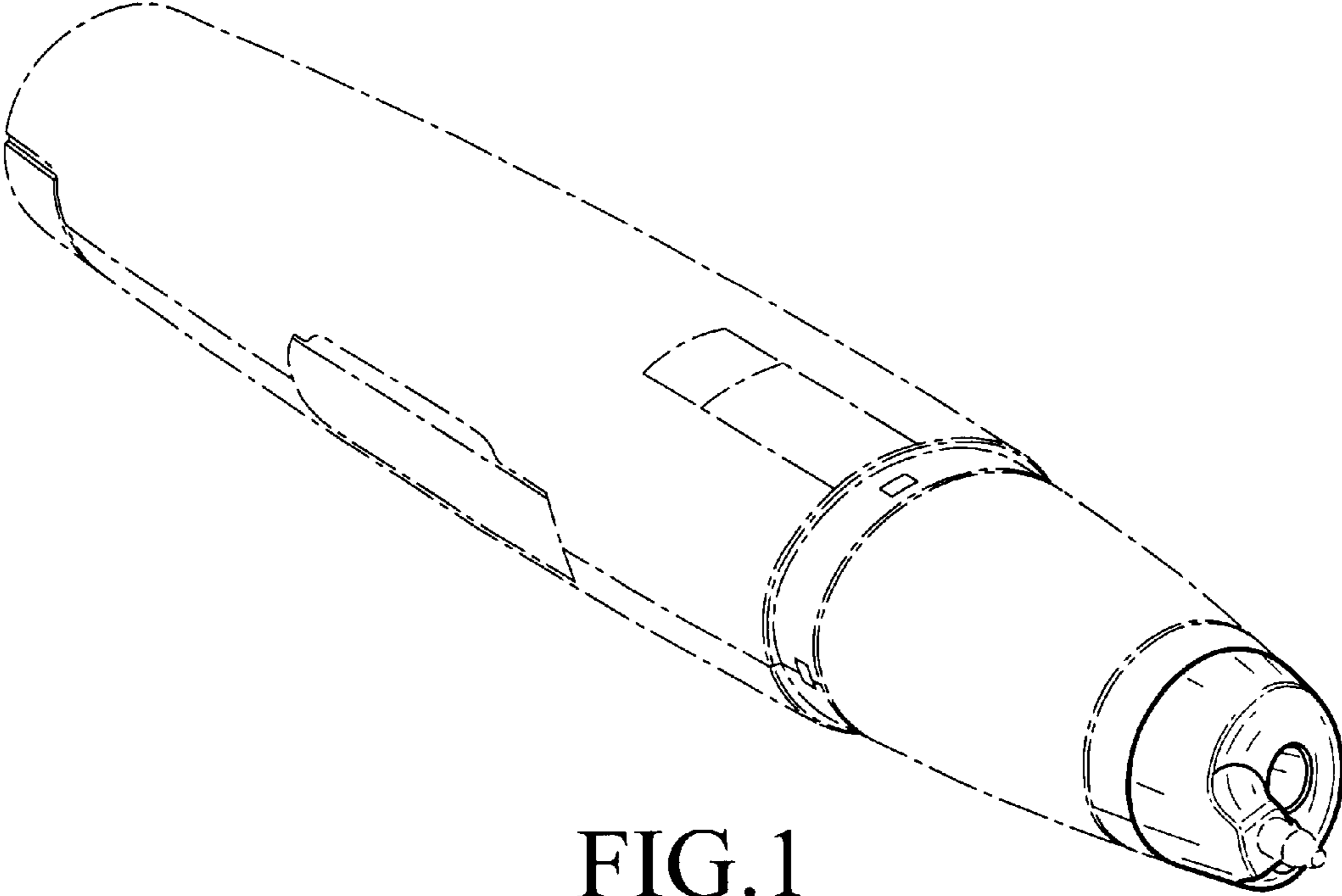


FIG. 1

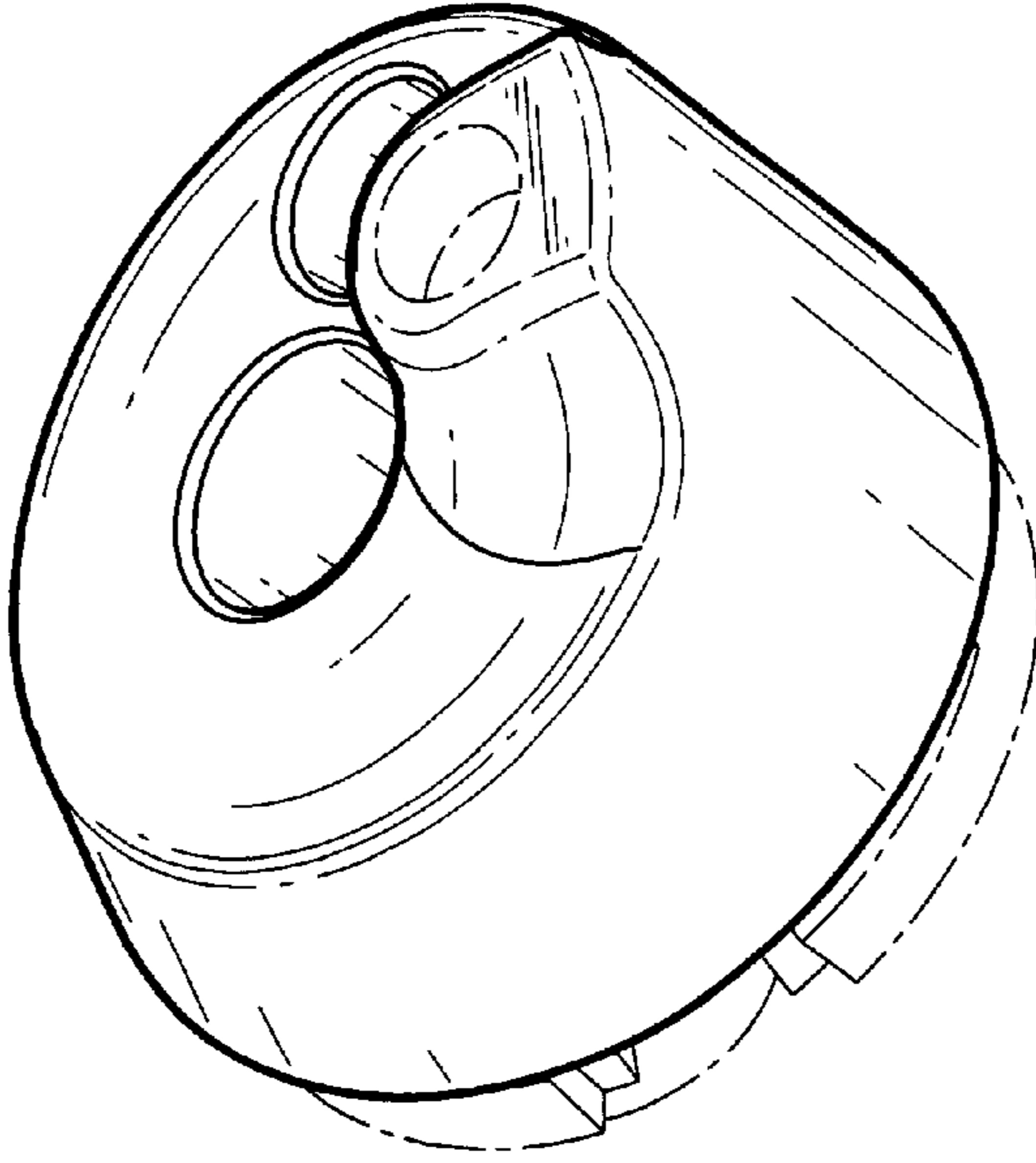


FIG. 2

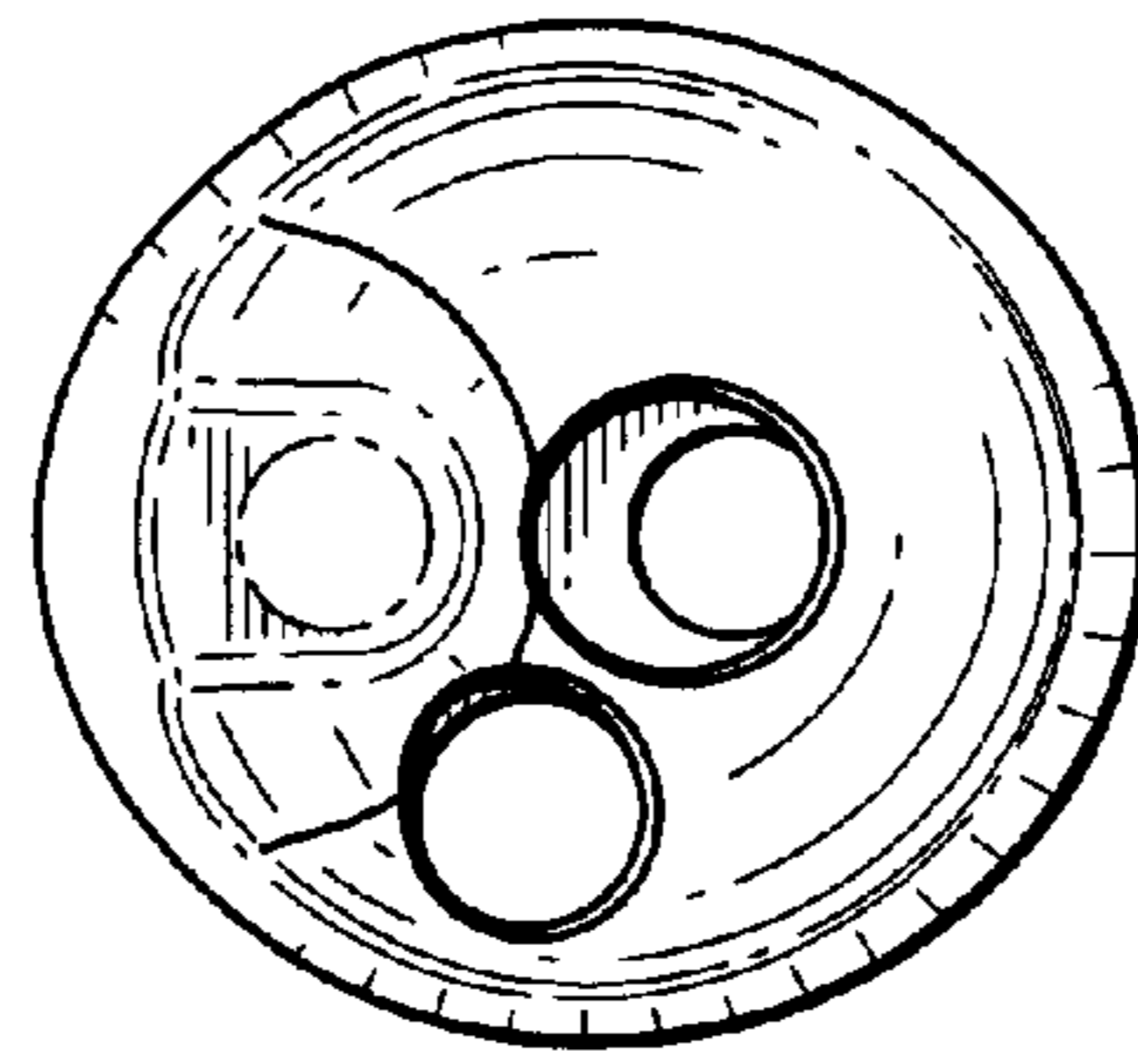


FIG. 3

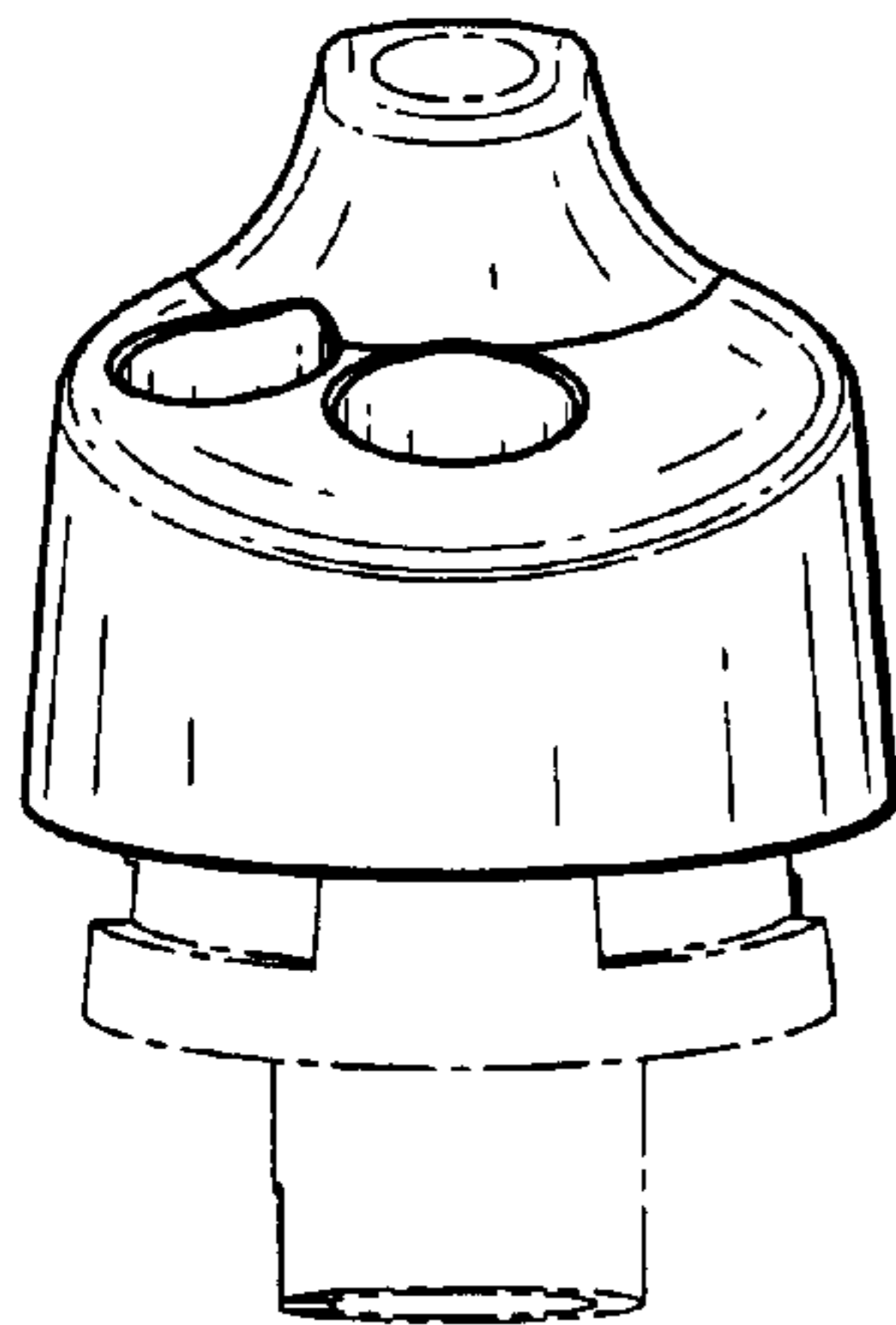


FIG. 4

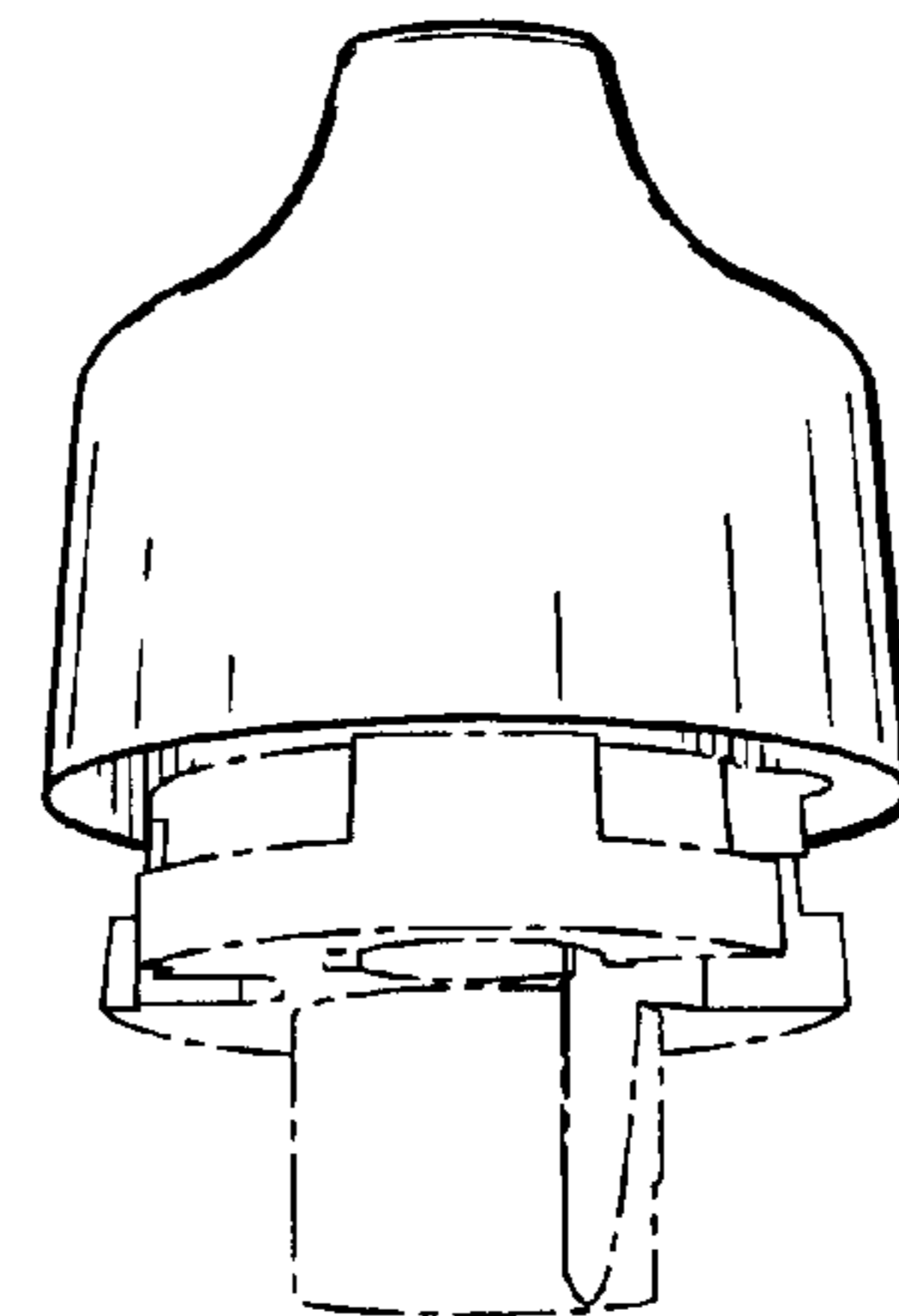


FIG. 5

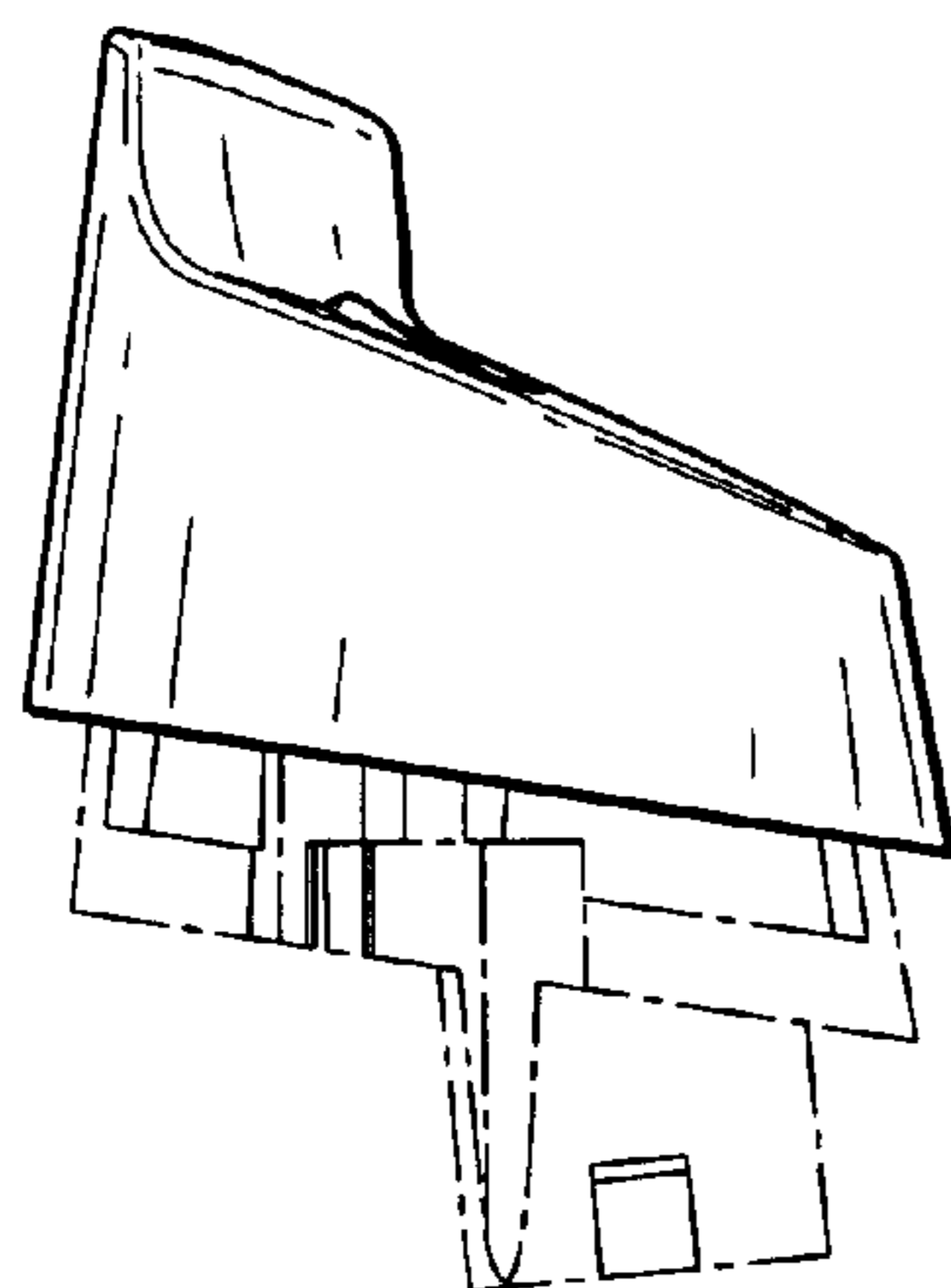


FIG. 6

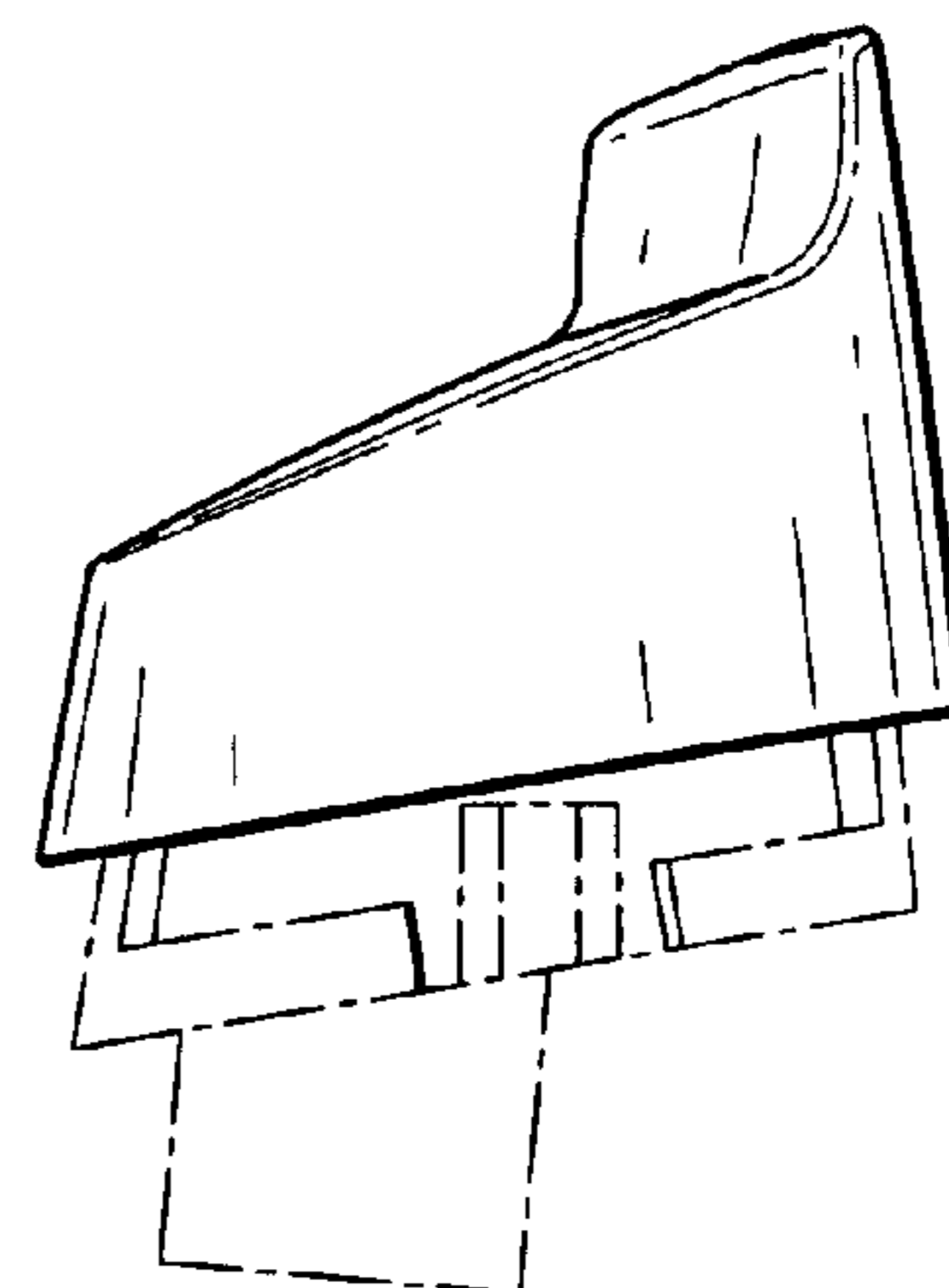


FIG. 7