

US00D500787S

(12) **United States Design Patent**
Yamada et al.

(10) **Patent No.:** **US D500,787 S**

(45) **Date of Patent:** **** Jan. 11, 2005**

(54) **INK CARTRIDGE**

D464,371 S 10/2002 Boyd et al.
D477,841 S 7/2003 Shimizu et al.

(75) Inventors: **Manabu Yamada**, Matsumoto (JP);
Koji Yamada, Okaya (JP); **Chiyoshige**
Nakazawa, Suwa (JP)

* cited by examiner

Primary Examiner—Cathy Anne MacCormac
(74) *Attorney, Agent, or Firm*—Harness, Dickey & Pierce,
P.L.C.

(73) Assignee: **Seiko Epson Corporation (JP)**

(**) Term: **14 Years**

(57) **CLAIM**

(21) Appl. No.: **29/197,895**

The ornamental design for an ink cartridge, as shown and described.

(22) Filed: **Jan. 21, 2004**

DESCRIPTION

Related U.S. Application Data

(62) Division of application No. 29/169,381, filed on Oct. 18, 2002, now Pat. No. Des. 488,504.

FIG. 1 is a top, front and right side perspective view of an ink cartridge embodying our new design;
FIG. 2 is a bottom, rear and right side perspective view thereof;
FIG. 3 is a top plan view thereof;
FIG. 4 is a bottom plan view thereof;
FIG. 5 is a left side view thereof;
FIG. 6 is a right side view thereof;
FIG. 7 is a rear view thereof;
FIG. 8 is a front view thereof;
FIG. 9 is a top, front and right side perspective view of a second embodiment of FIG. 1;
FIG. 10 is a bottom, rear and right side perspective view of FIG. 9;
FIG. 11 is a top plan view of FIG. 9;
FIG. 12 is a bottom plan view of FIG. 9;
FIG. 13 is a left side view of FIG. 9;
FIG. 14 is a right side view of FIG. 9;
FIG. 15 is a rear view of FIG. 9; and,
FIG. 16 is a front view of FIG. 9.

(30) **Foreign Application Priority Data**

Apr. 24, 2002 (JP) 2002-010988
Apr. 24, 2002 (JP) 2002-010989
Apr. 24, 2002 (JP) 2002-010990

(51) **LOC (7) Cl.** **18-02**

(52) **U.S. Cl.** **D18/56; 347/86**

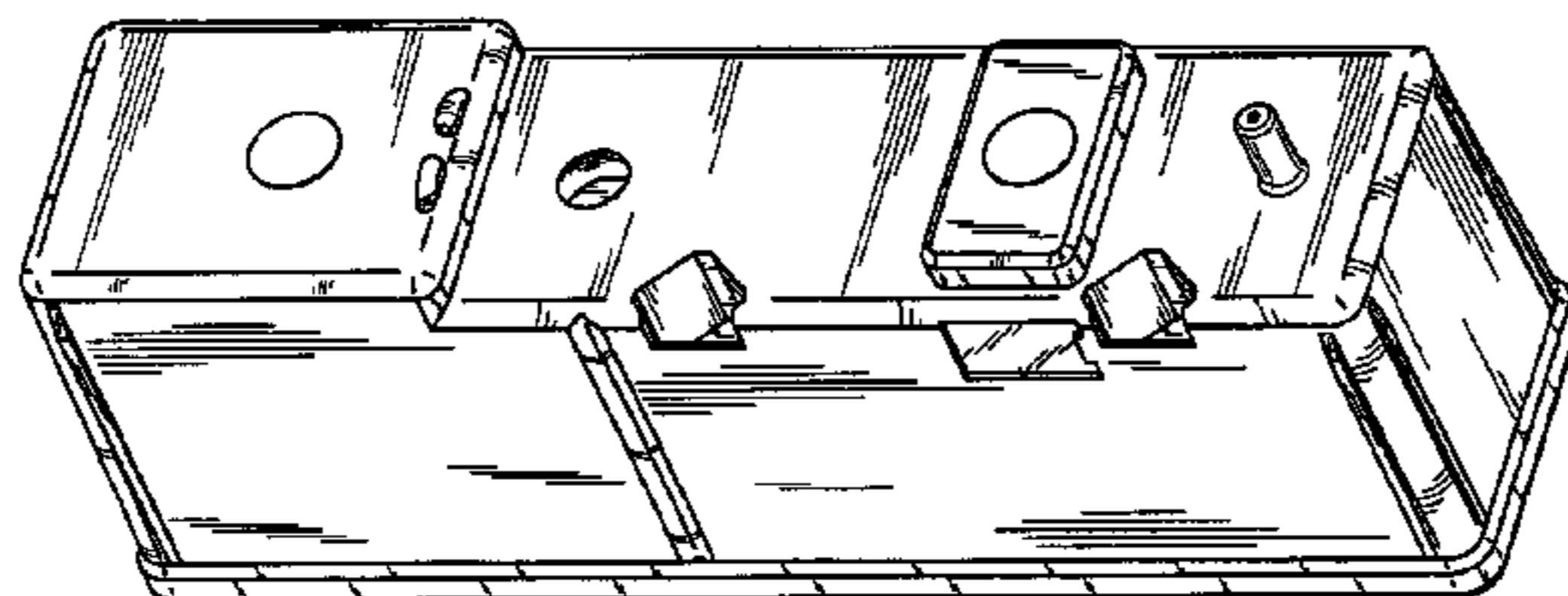
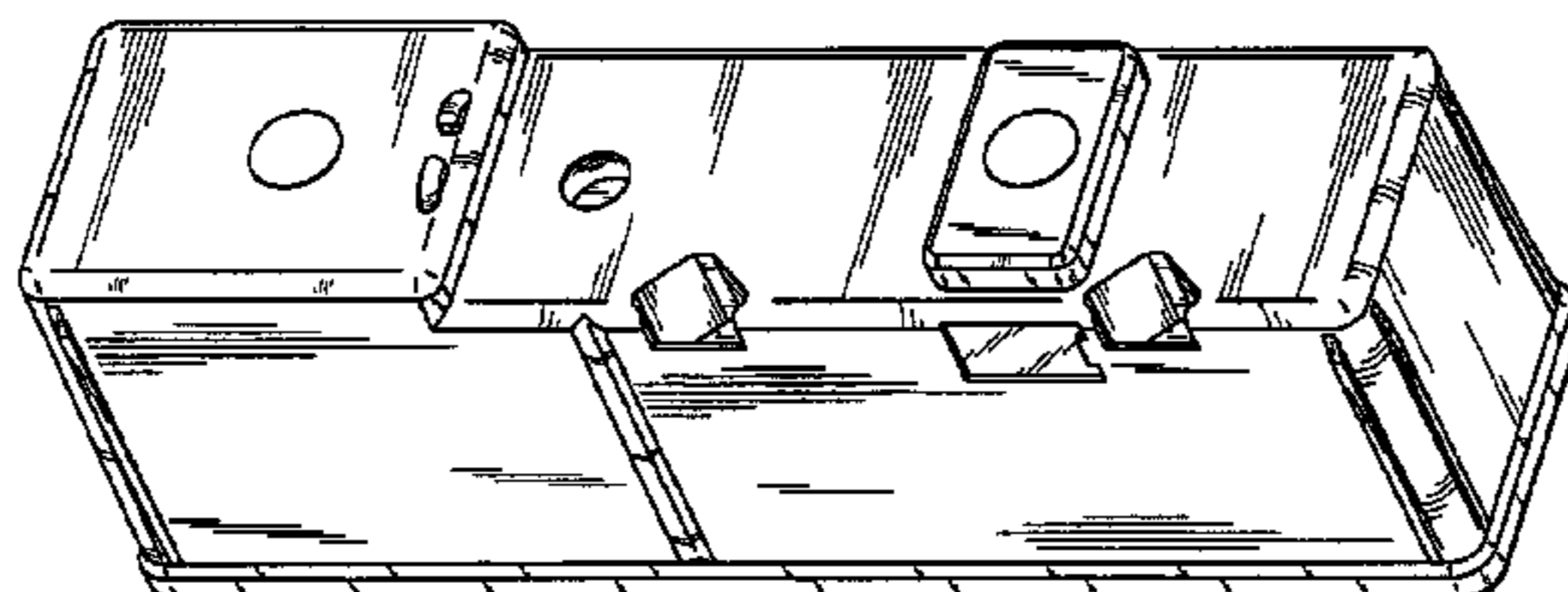
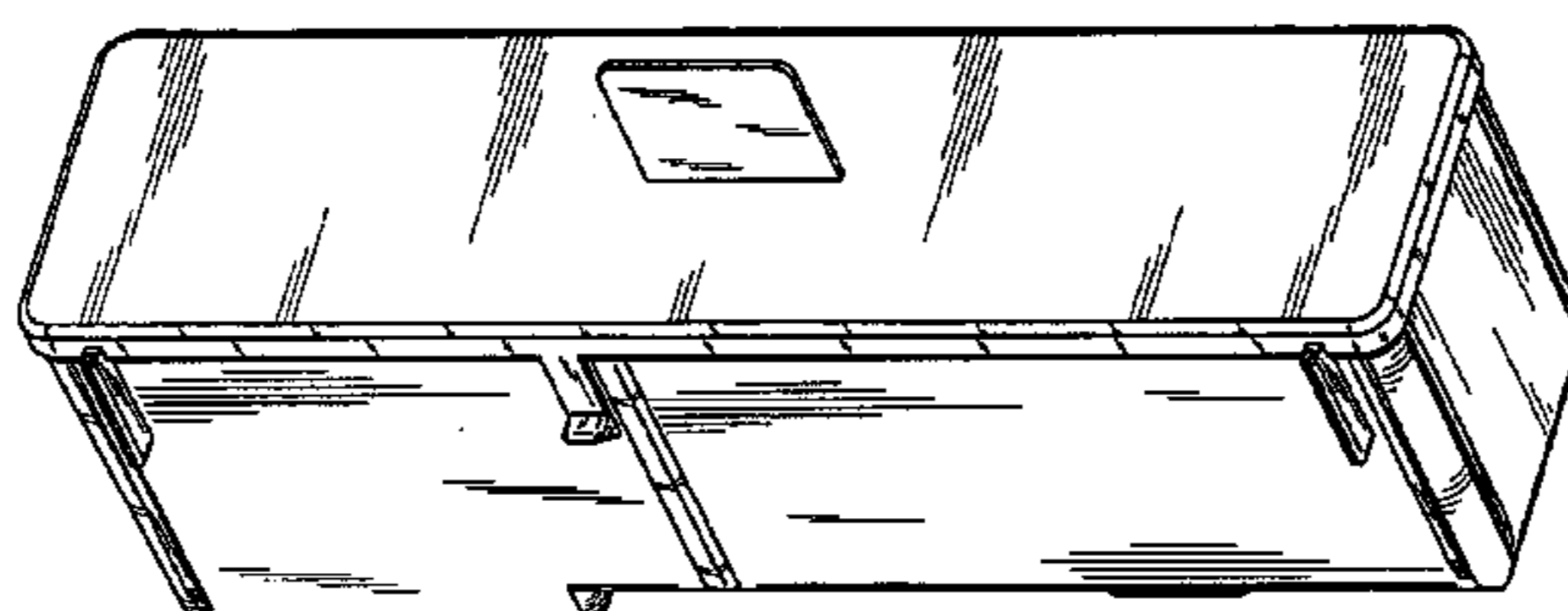
(58) **Field of Search** **D18/40, 43, 56;**
347/7, 85-87

(56) **References Cited**

U.S. PATENT DOCUMENTS

D421,270 S 2/2000 Yamaguchi
D425,110 S 5/2000 Dietl et al.
D430,600 S * 9/2000 Murcia et al. D18/56
D446,545 S * 8/2001 Tanaka D18/56
D454,363 S 3/2002 Seino et al.

1 Claim, 8 Drawing Sheets



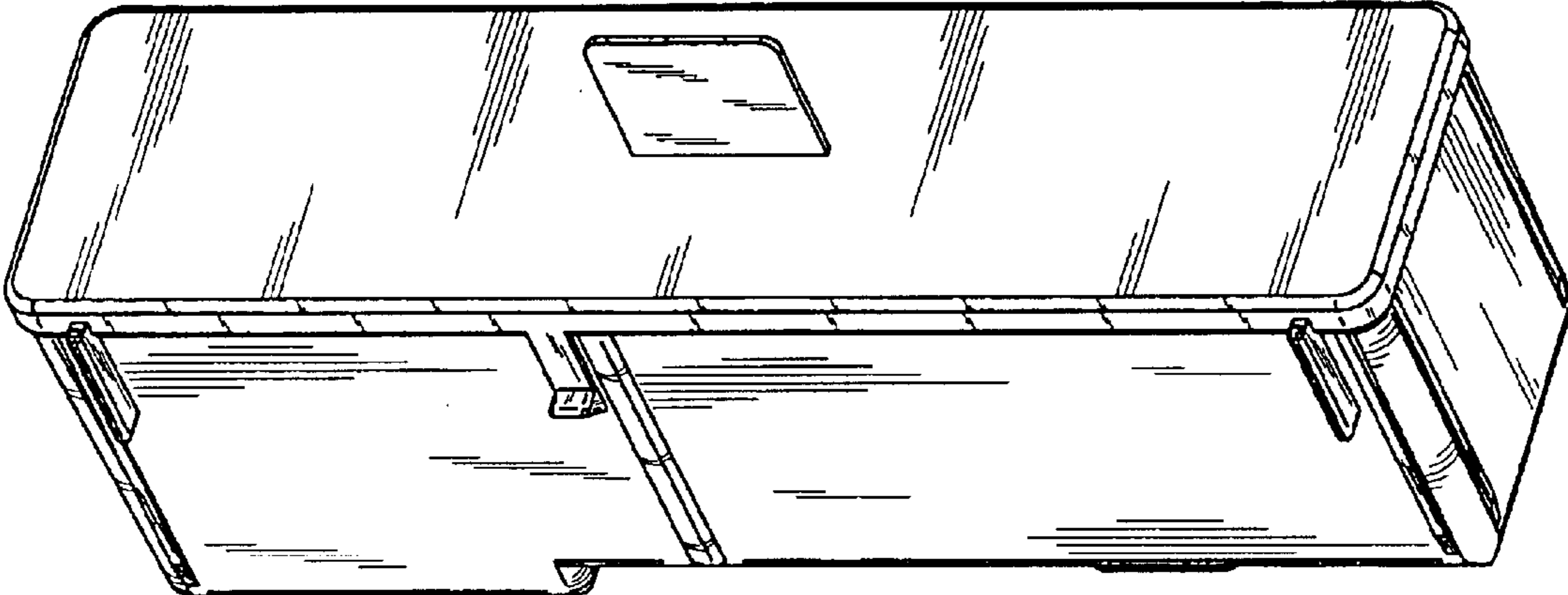


FIG. 1

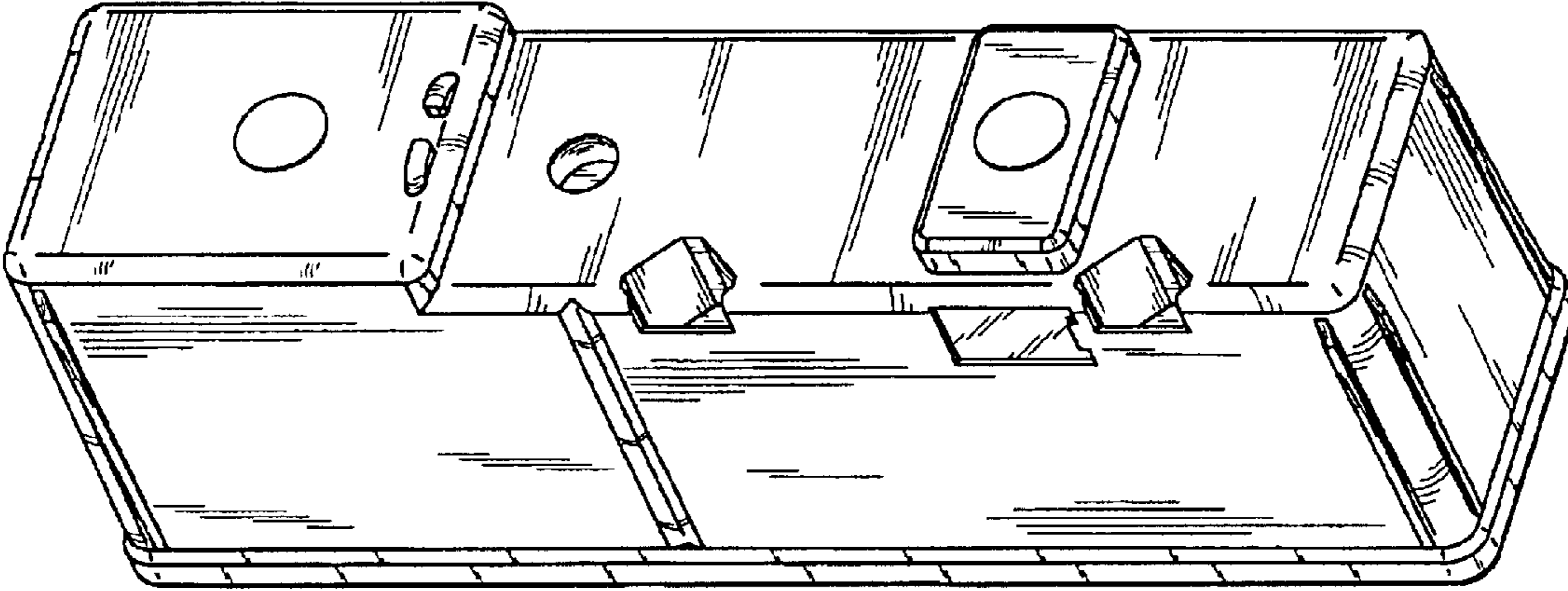


FIG. 2

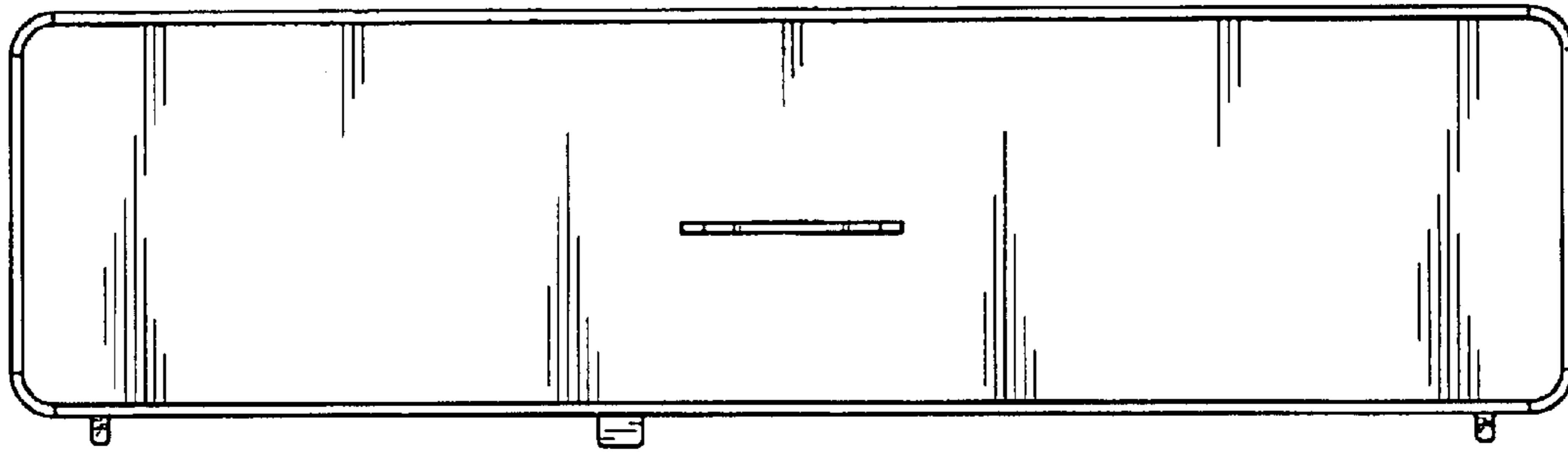


FIG.3

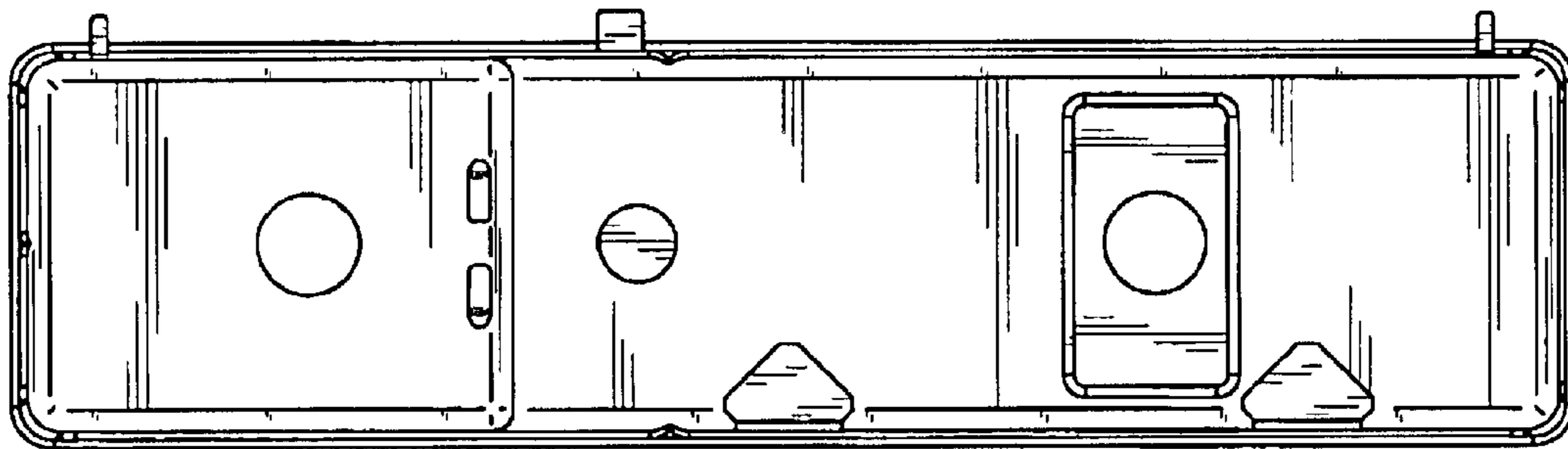


FIG.4

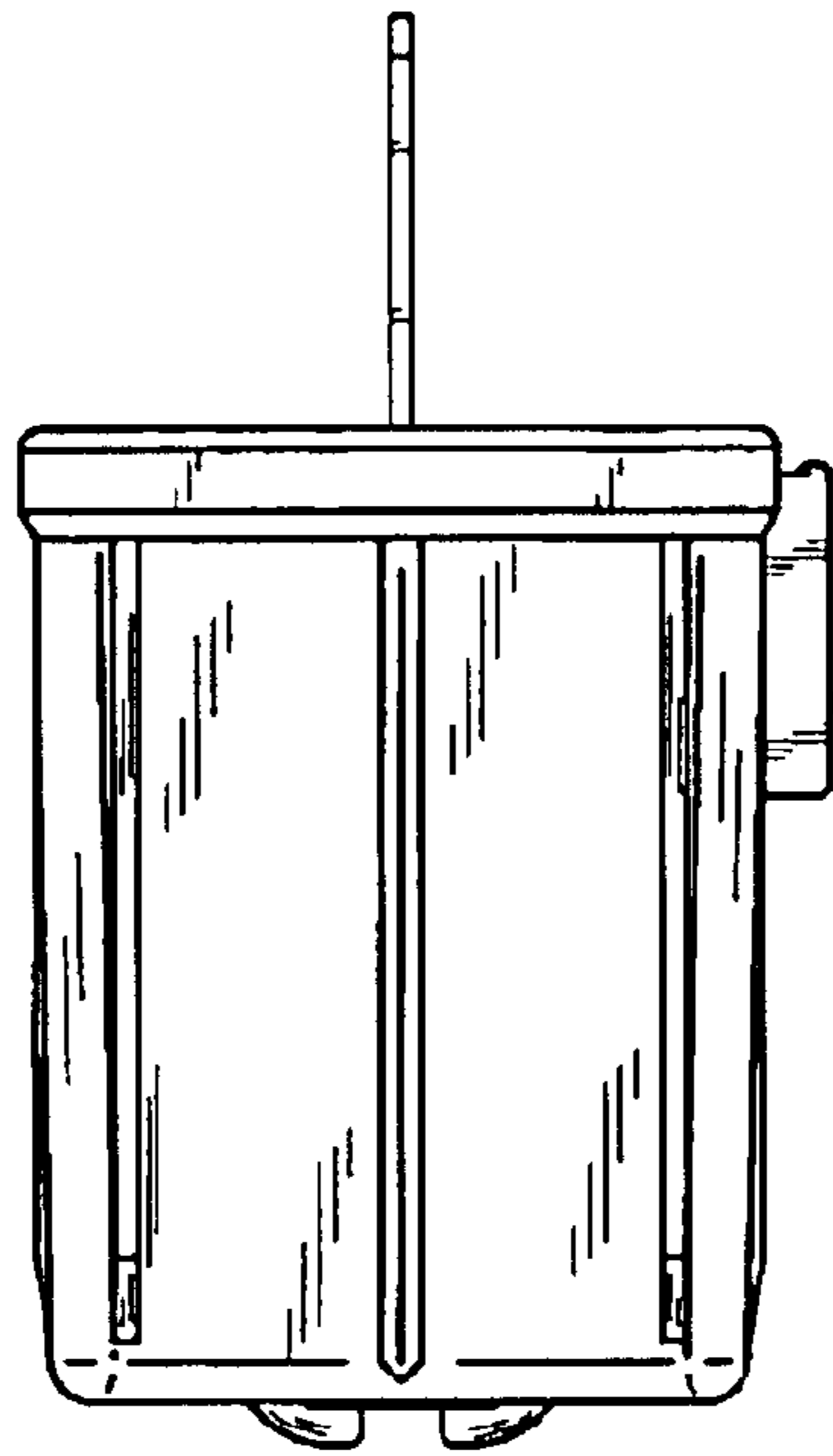


FIG. 5

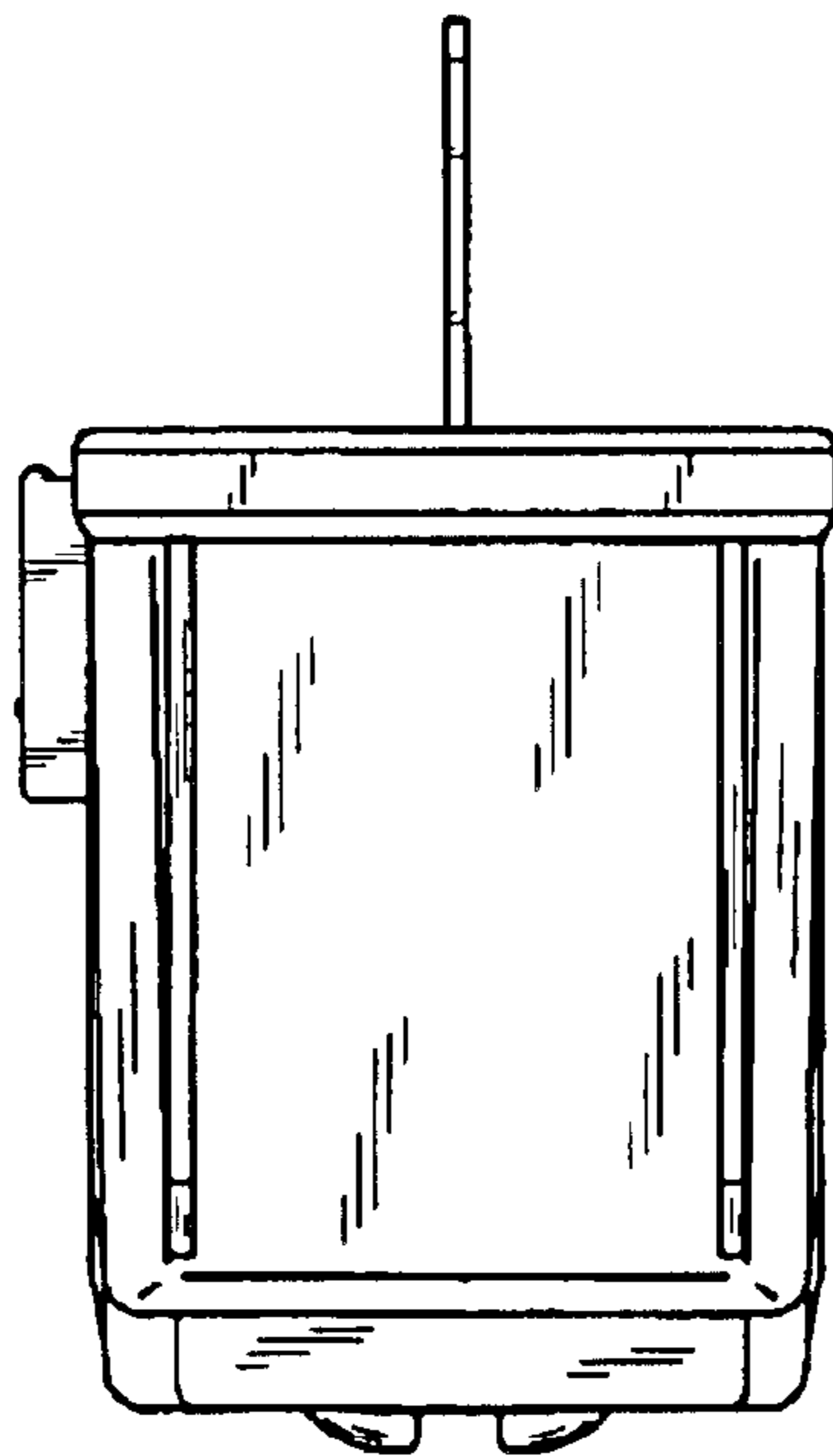


FIG. 6

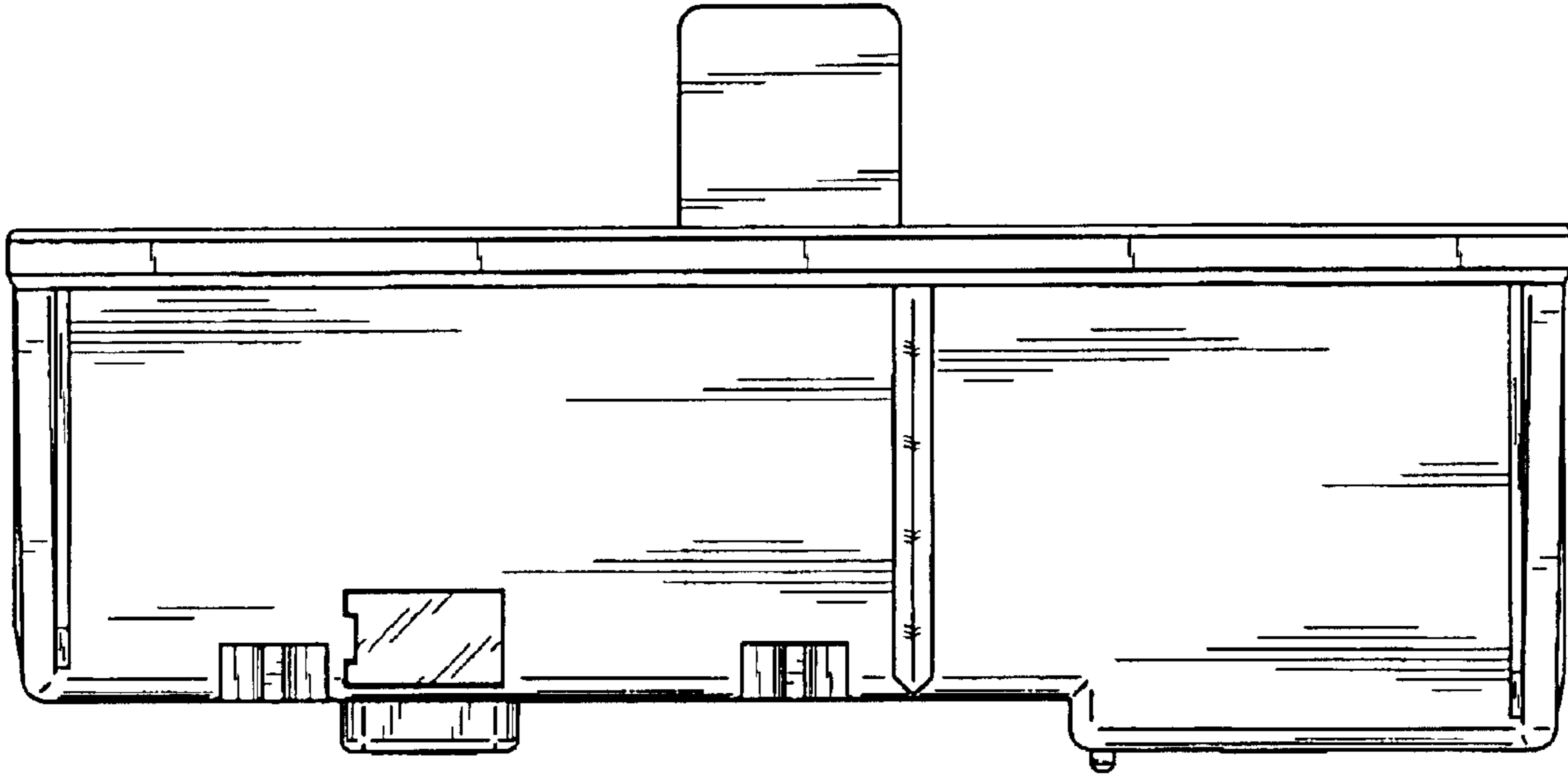


FIG. 7

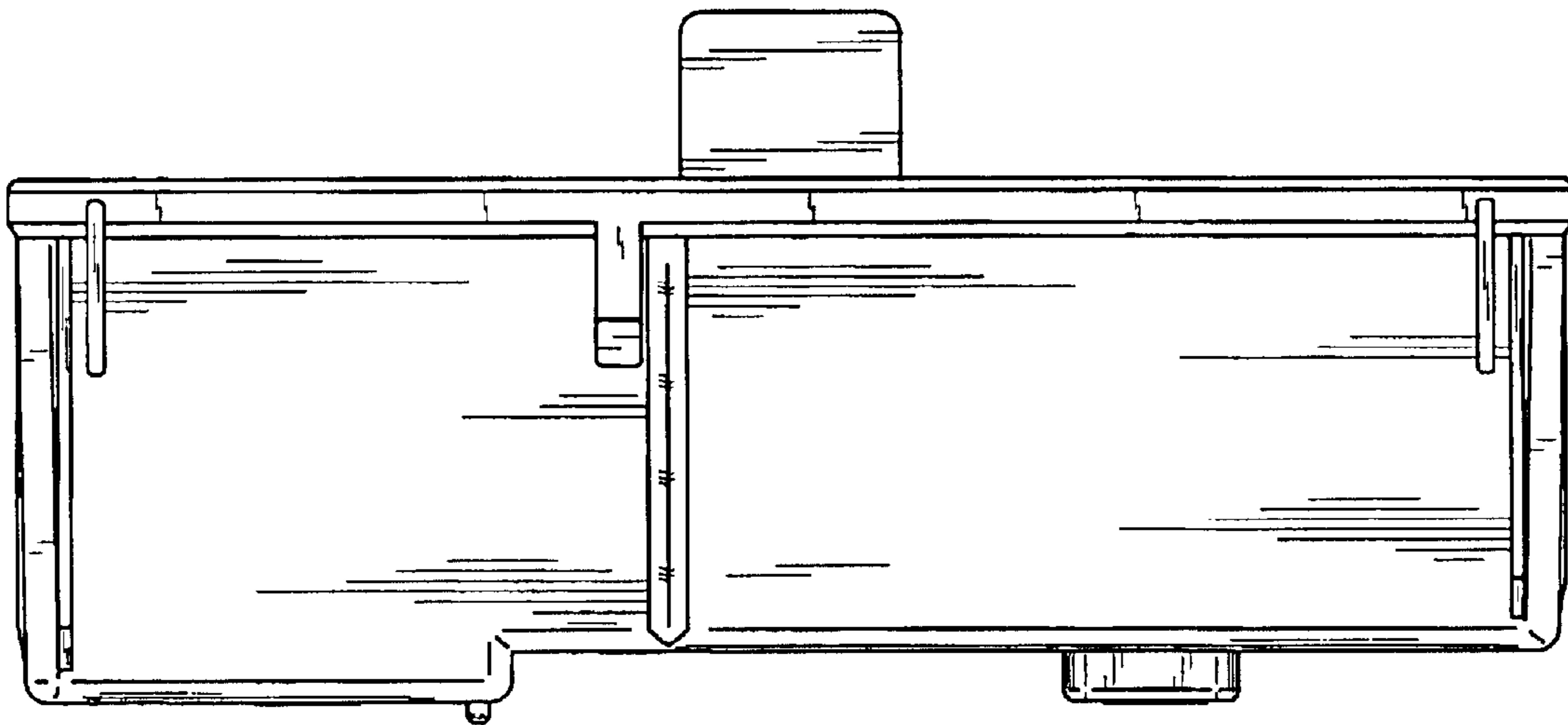


FIG. 8

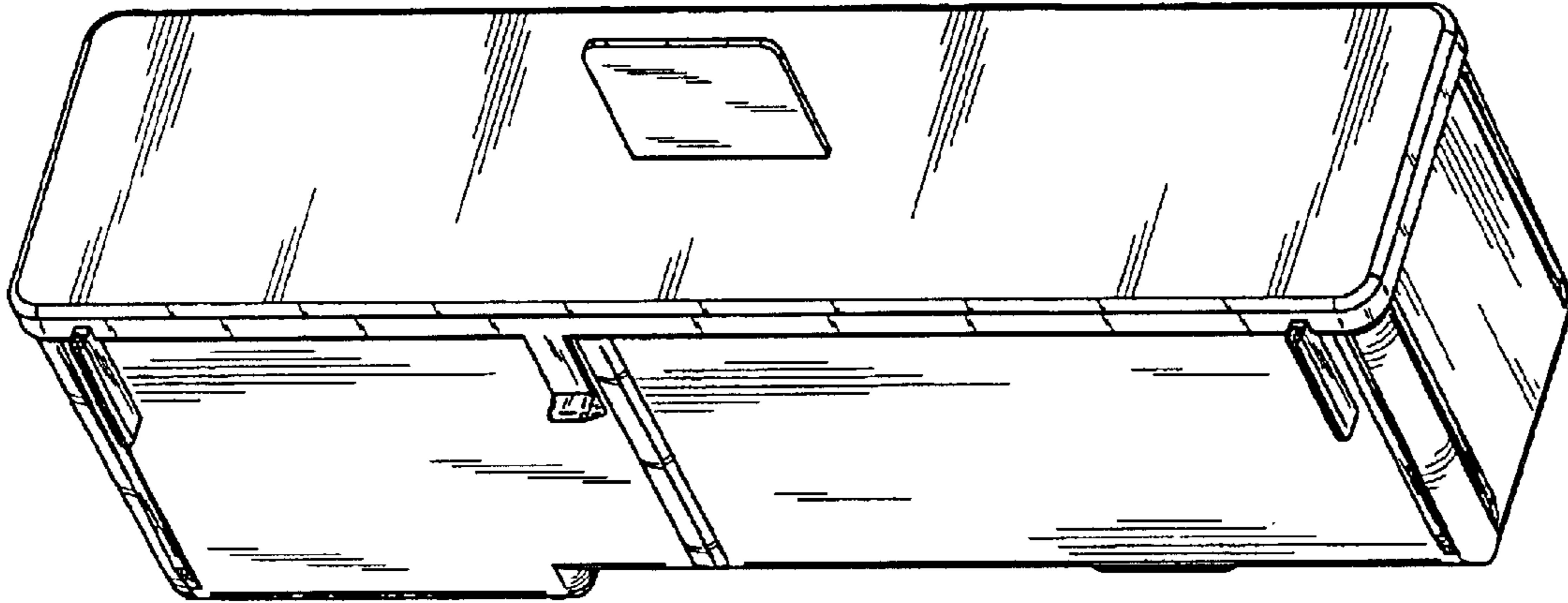


FIG. 9

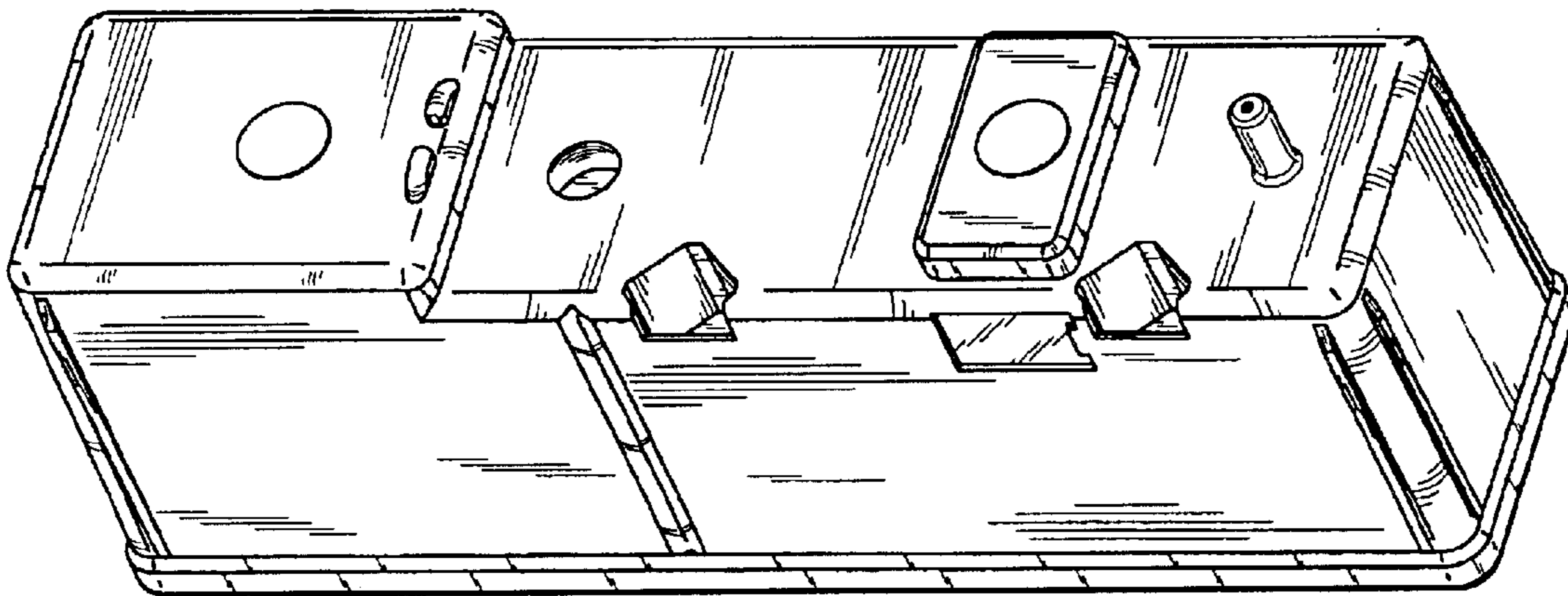


FIG. 10

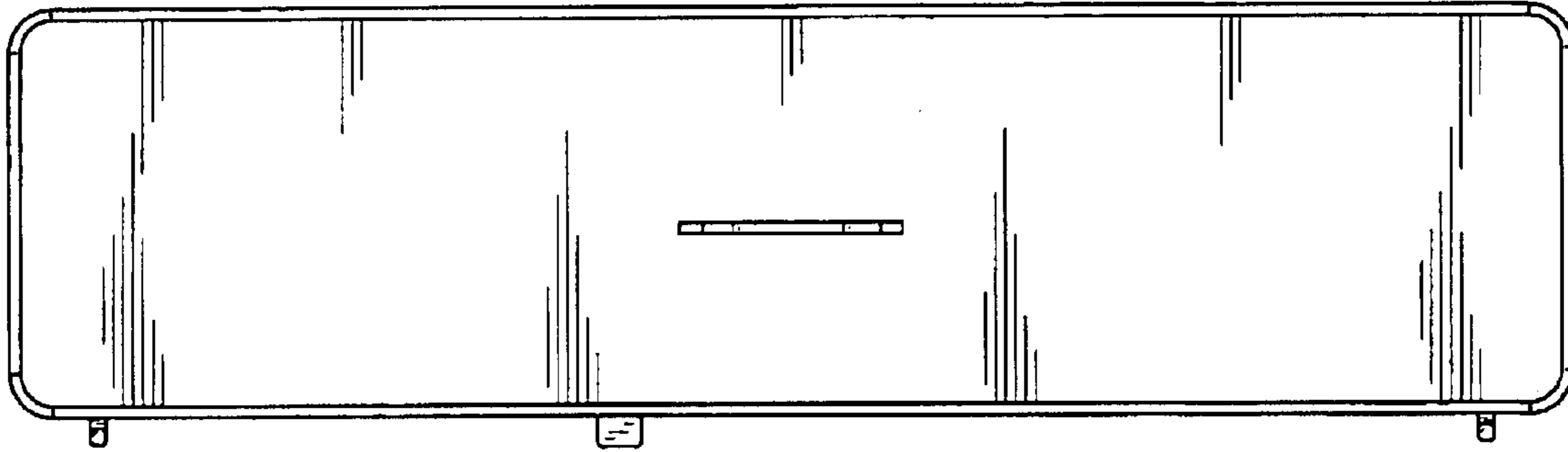


FIG. 11

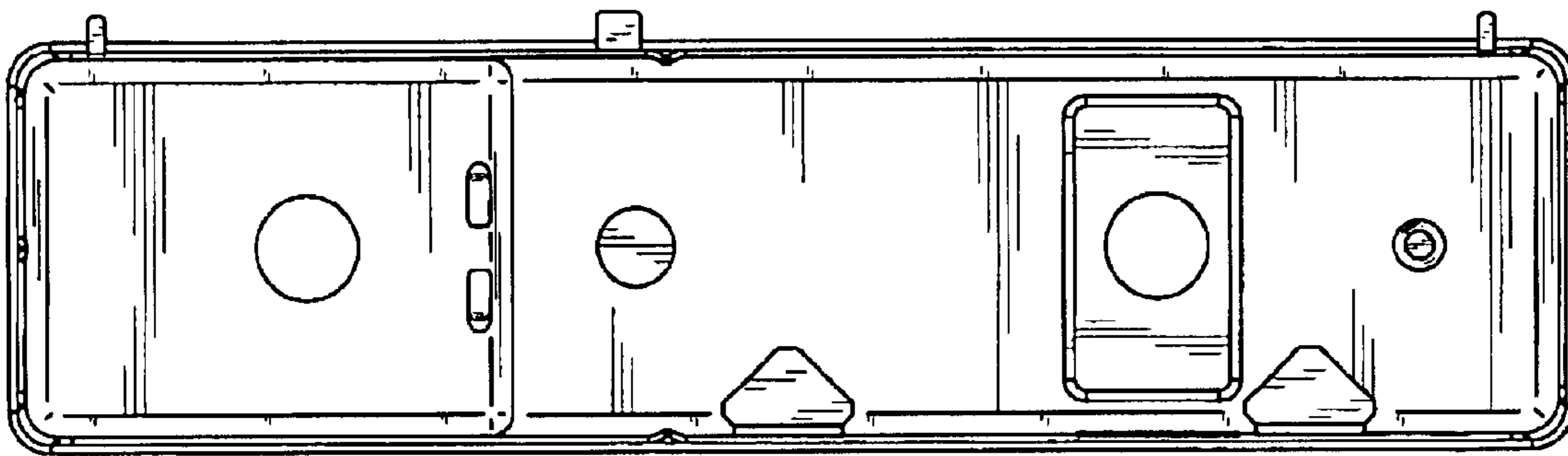


FIG. 12

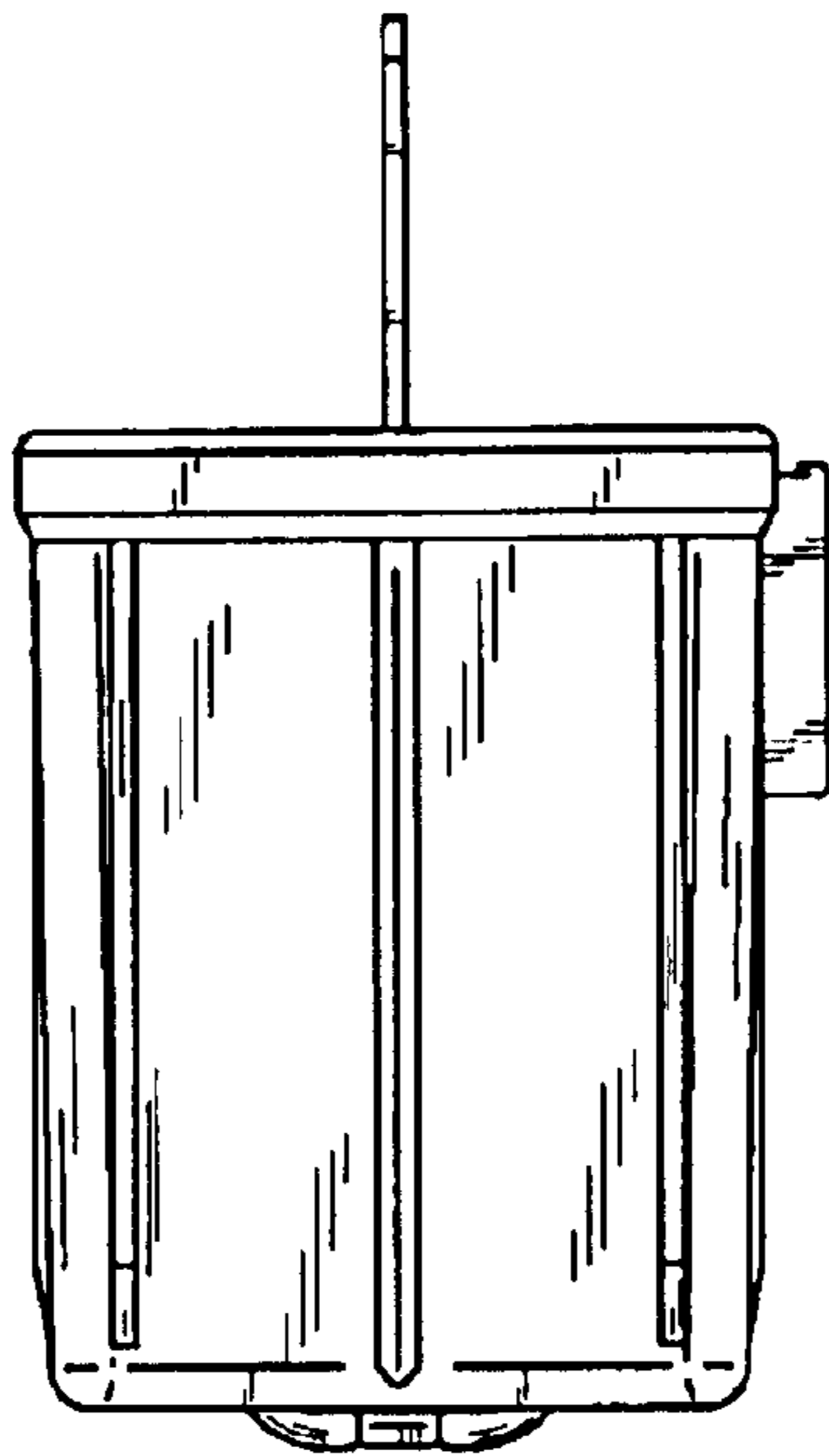


FIG.13

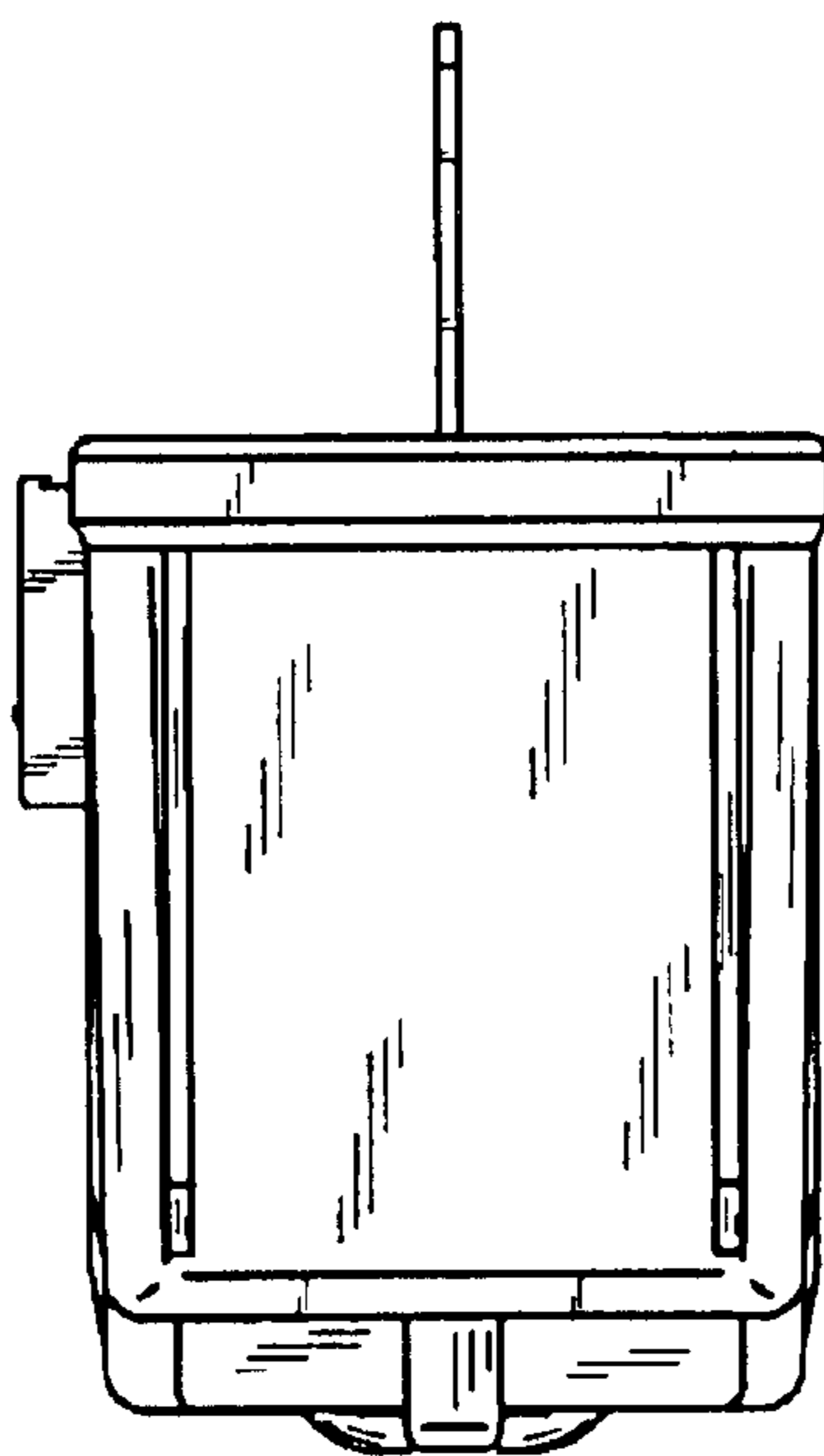


FIG.14

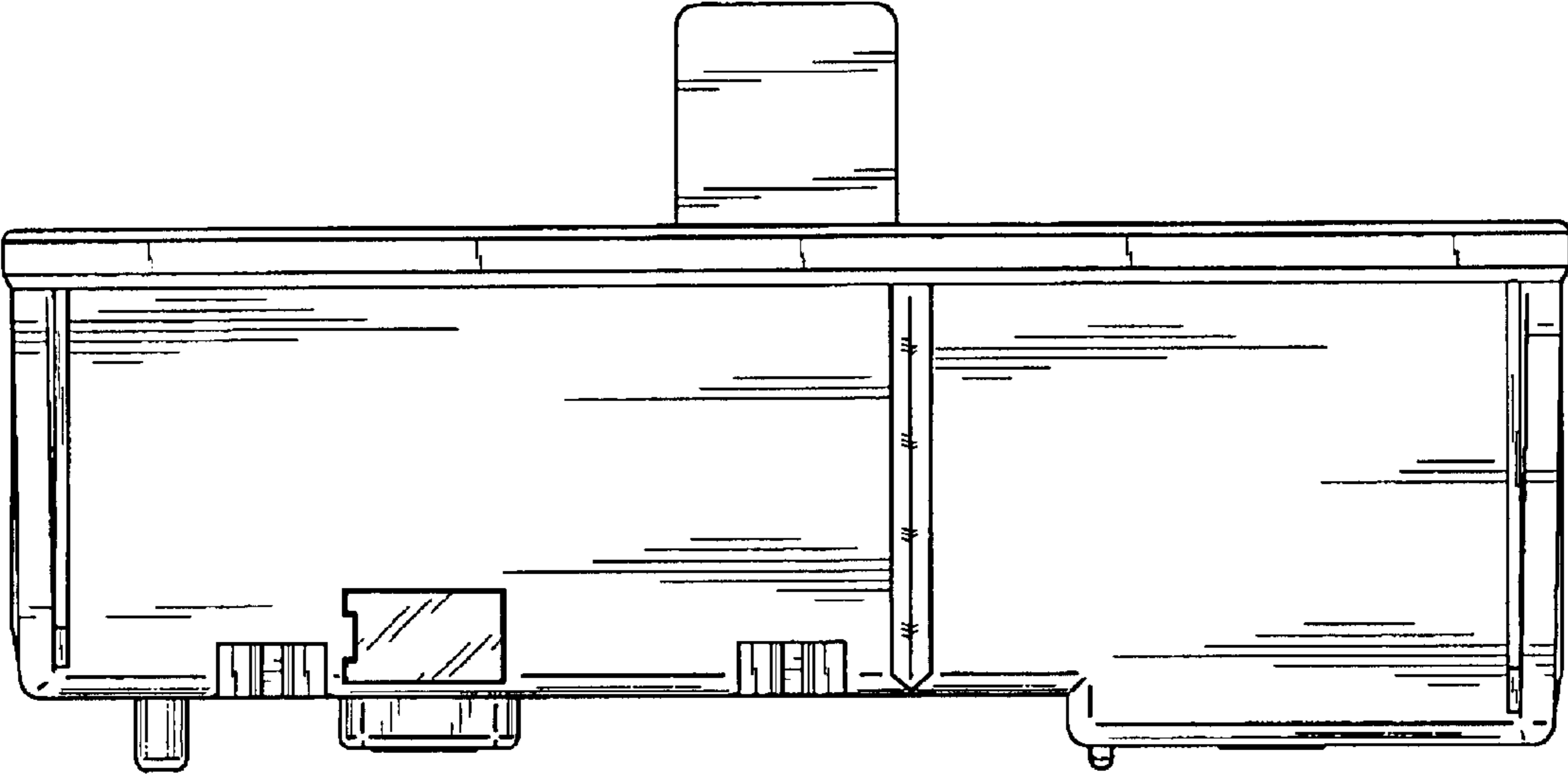


FIG. 15

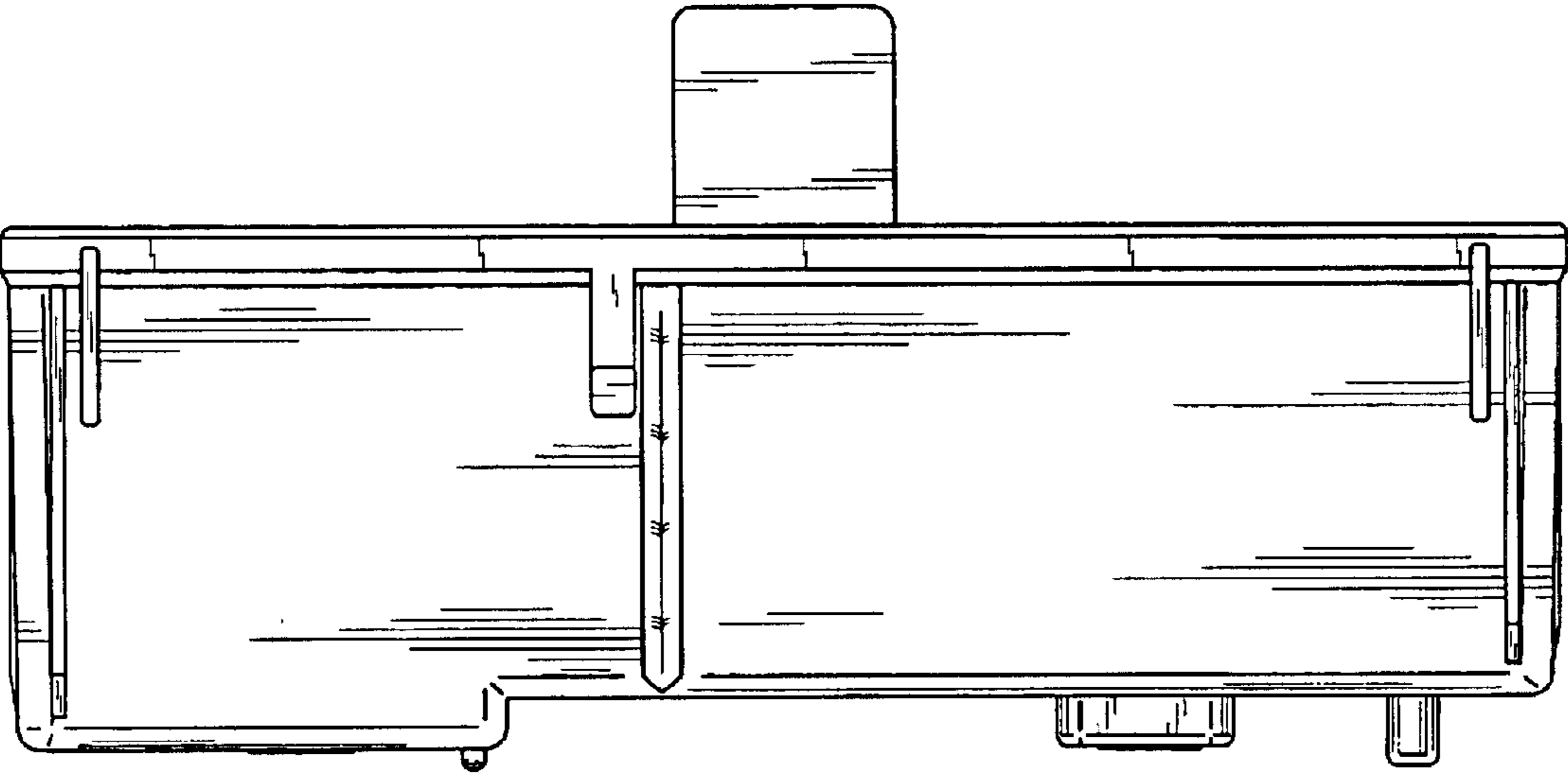


FIG. 16