

US00D500784S

(12) **United States Design Patent**
Jones et al.

(10) **Patent No.: US D500,784 S**
(45) **Date of Patent: ** Jan. 11, 2005**

(54) **INK STICK FOR PHASE CHANGE INK JET PRINTER**

(75) Inventors: **Brent R. Jones**, Tualatin, OR (US);
Frederick T. Mattern, Portland, OR (US); **Jasper Wong**, Portland, OR (US)

(73) Assignee: **Xerox Corporation**, Stamford, CT (US)

(**) Term: **14 Years**

(21) Appl. No.: **29/195,153**

(22) Filed: **Dec. 8, 2003**

(51) **LOC (7) Cl.** **18-02**

(52) **U.S. Cl.** **D18/56; 347/88**

(58) **Field of Search** D18/56; D21/499;
347/88, 99; 106/31.29, 31.61

(56) **References Cited**

U.S. PATENT DOCUMENTS

5,223,860	A	6/1993	Loofbourow et al.	
D346,821	S	5/1994	Smith	D18/56
5,510,821	A	4/1996	Jones et al.	347/88
5,734,402	A	3/1998	Rousseau et al.	347/88
D403,699	S	1/1999	Chin et al.	D18/56
5,861,903	A	1/1999	Crawford et al.	347/88
D407,112	S	* 3/1999	Chin et al.	D18/56
D407,742	S	* 4/1999	Yao et al.	D18/56
D415,193	S	* 10/1999	Jones	D18/56
D436,124	S	* 1/2001	Mattern et al.	D18/56
D436,989	S	* 1/2001	Mattern et al.	D18/56
D440,248	S	* 4/2001	Mattern et al.	D18/56

D453,786	S	* 2/2002	Mattern	D18/56
D453,787	S	* 2/2002	Mattern	D18/56
D478,347	S	8/2003	Jones	D18/56
D479,368	S	9/2003	Jones	
D481,758	S	11/2003	Jones	D18/56
D482,062	S	* 11/2003	Jones	D18/56
6,672,716	B2	* 1/2004	Jones	347/88
2003/0202071	A1	10/2003	Jones et al.	347/88
2003/0202075	A1	10/2003	Jones	347/99

OTHER PUBLICATIONS

A list of Tektronix/Xerox Corporation Solid Ink Products sold at least one year prior to Apr. 29, 2002.

* cited by examiner

Primary Examiner—Cathy Anne MacCormac

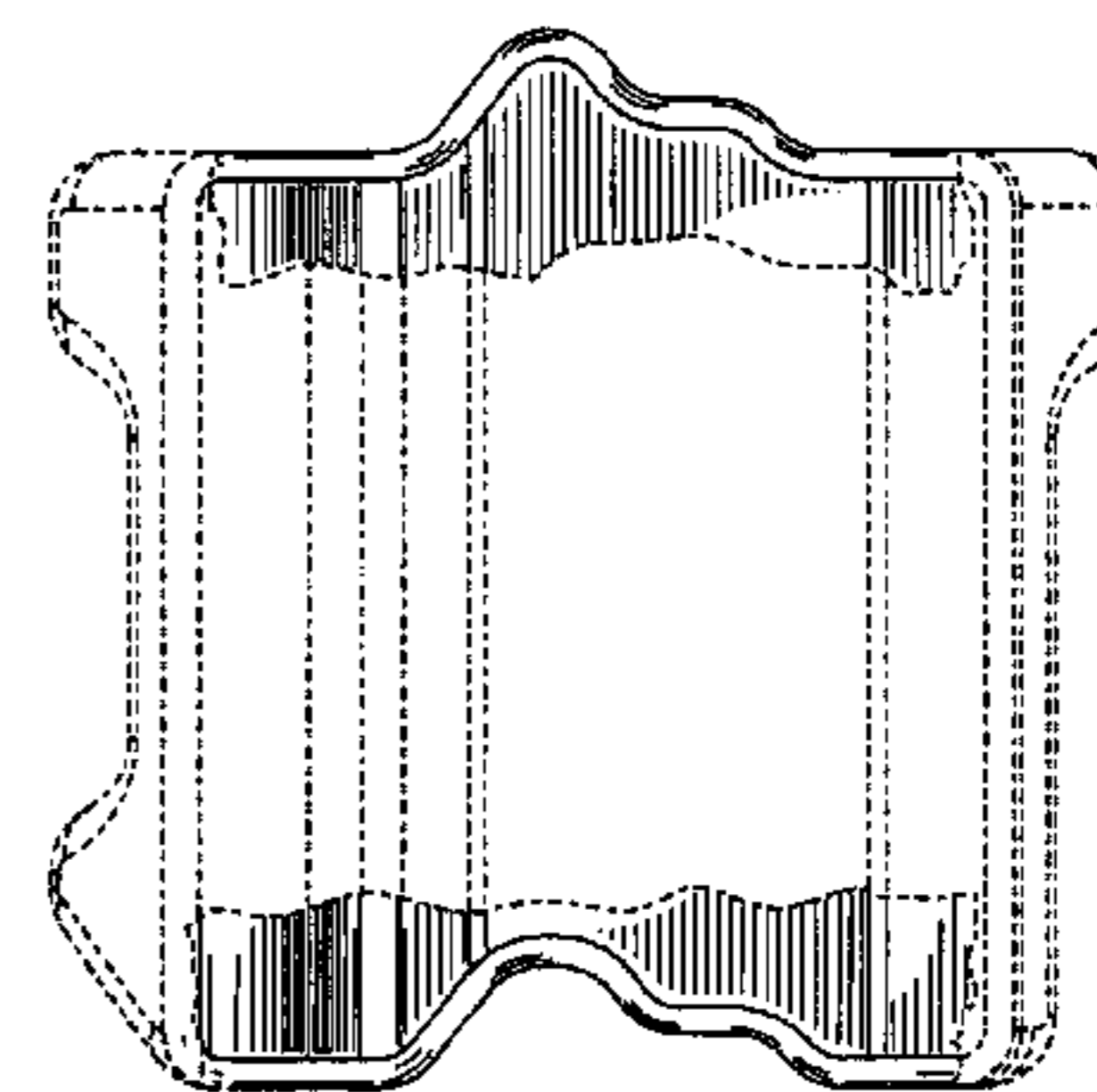
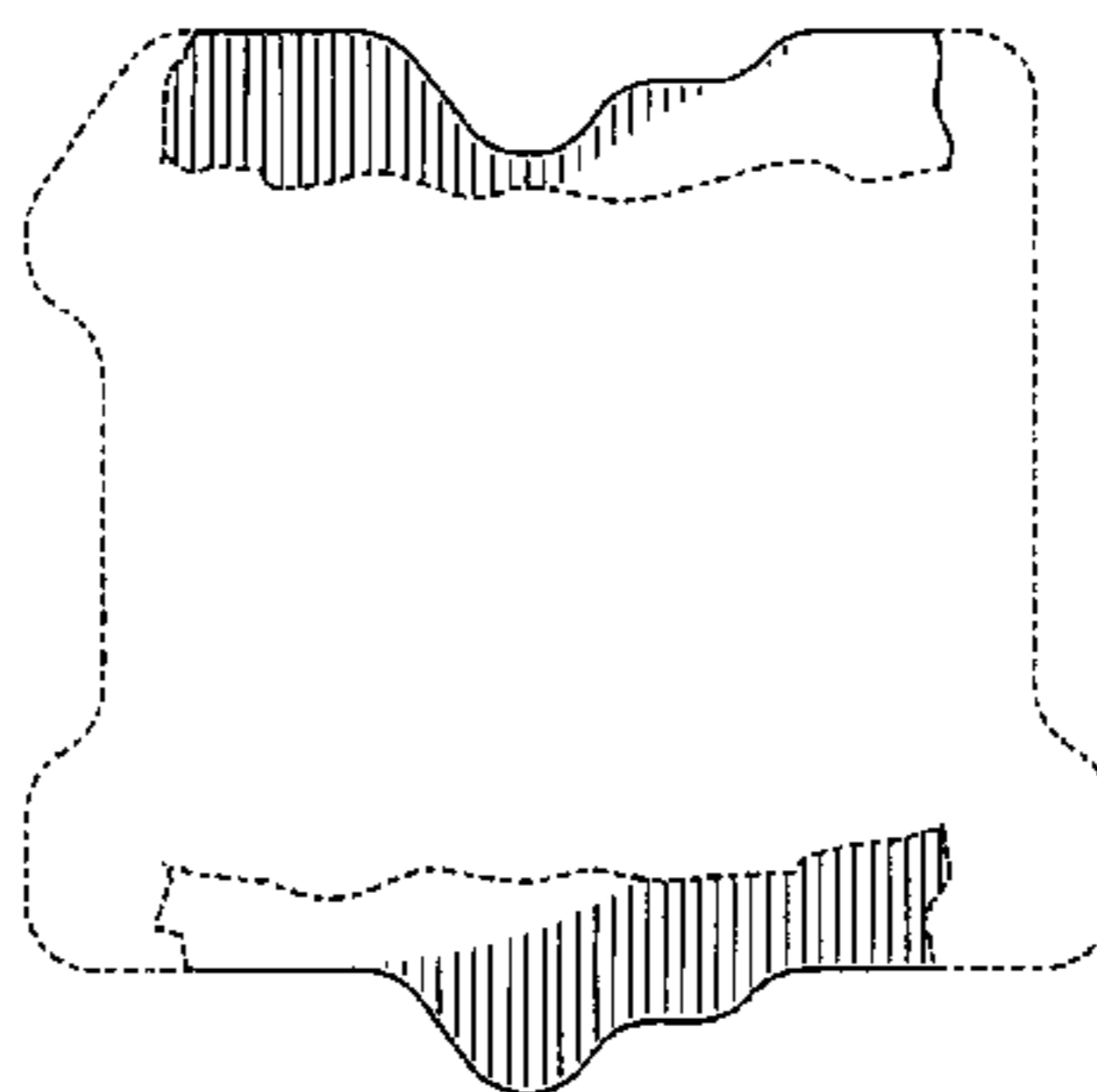
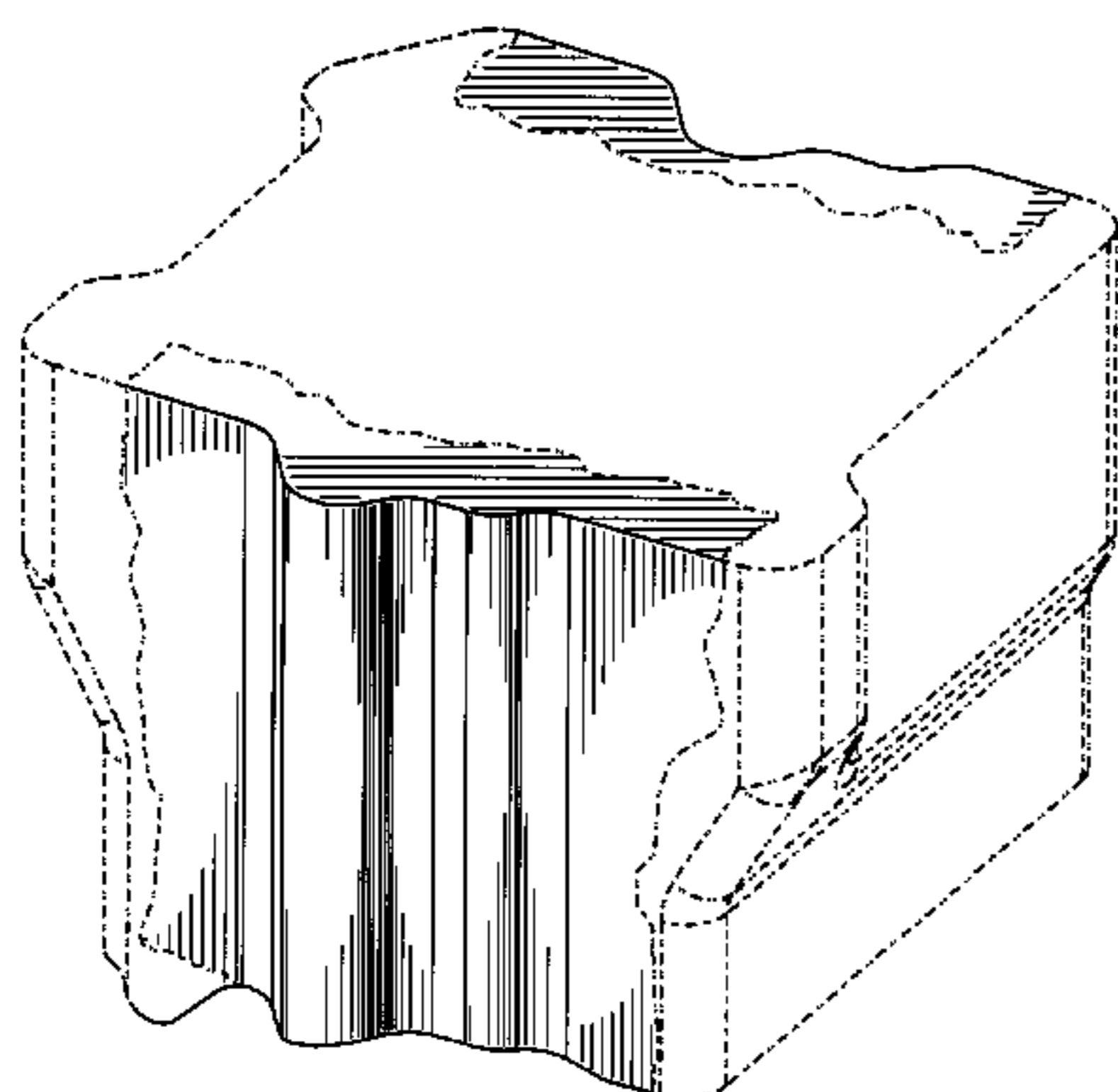
(57) **CLAIM**

The ornamental design for an ink stick for phase change ink jet printer, as shown and described.

DESCRIPTION

FIG. 1 is a perspective view of an ink stick for phase change ink jet printer illustrating the new design; FIG. 2 is a front elevational view thereof; FIG. 3 is a right side elevational view thereof; FIG. 4 is a rear elevational view thereof; FIG. 5 is a left side elevational view thereof; FIG. 6 is a top plan view thereof; and, FIG. 7 is a bottom plan view thereof. The broken lines are for illustrative purposes only and form no part of the claimed design.

1 Claim, 4 Drawing Sheets



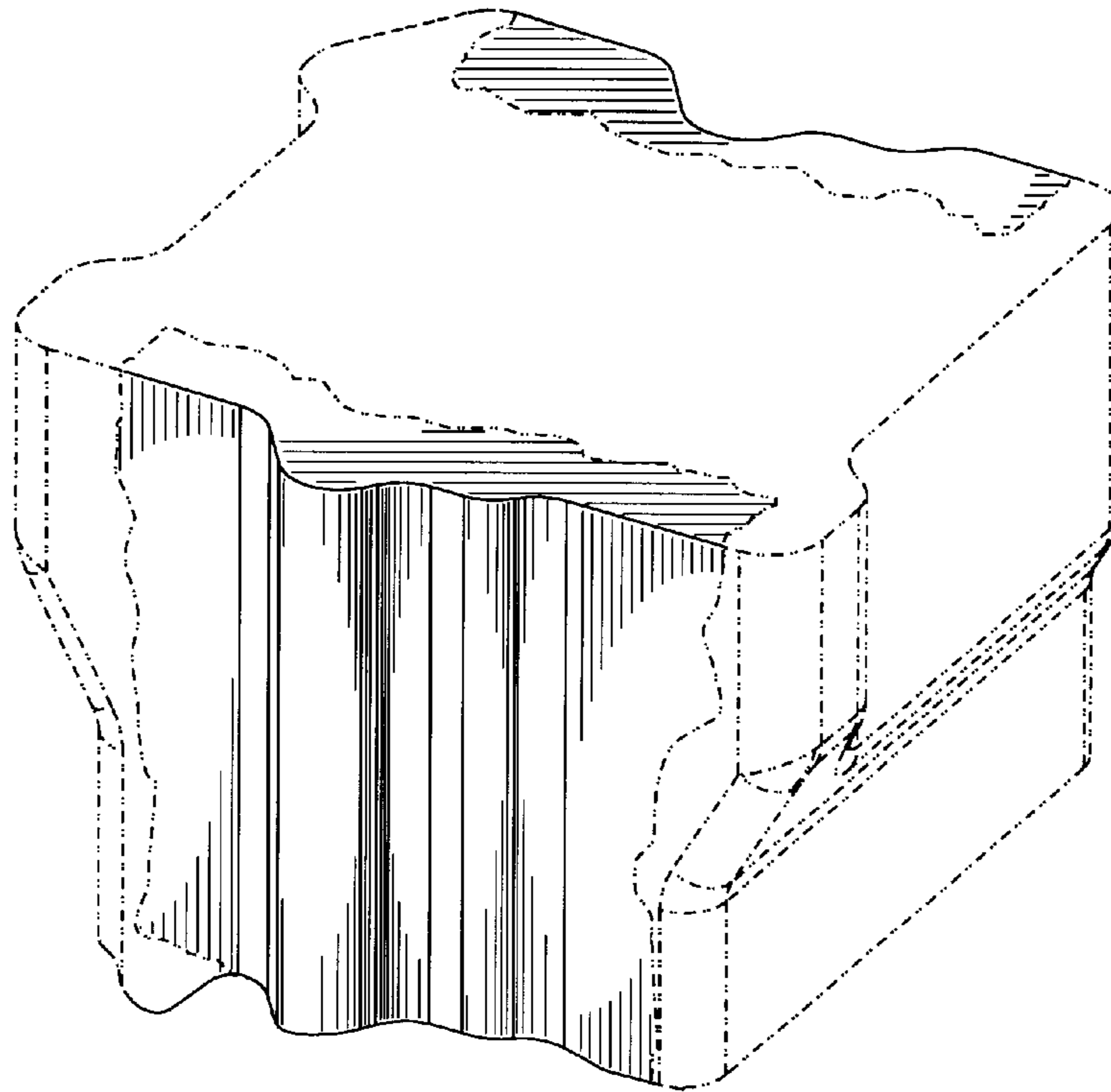


FIG. 1

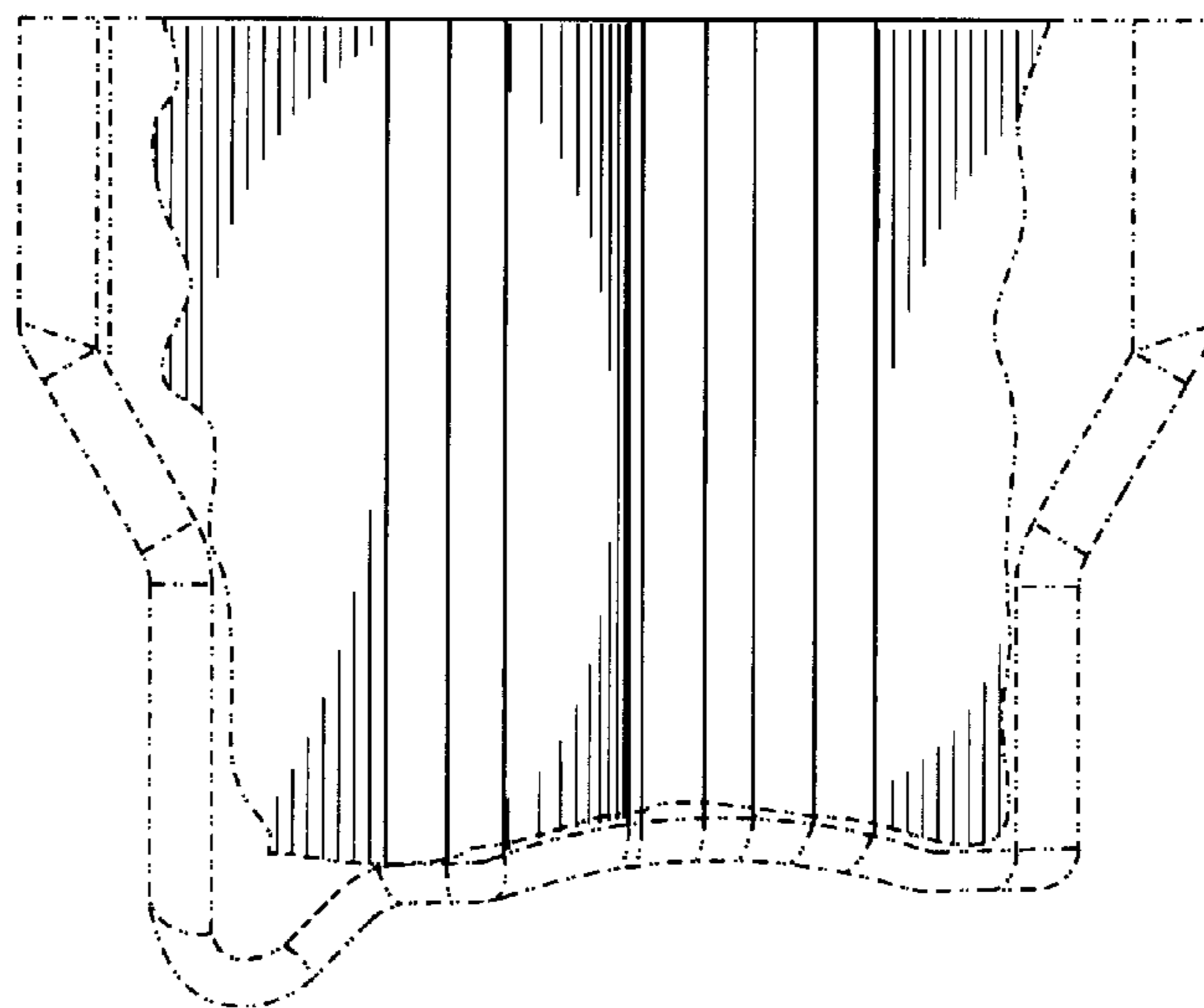


FIG. 2

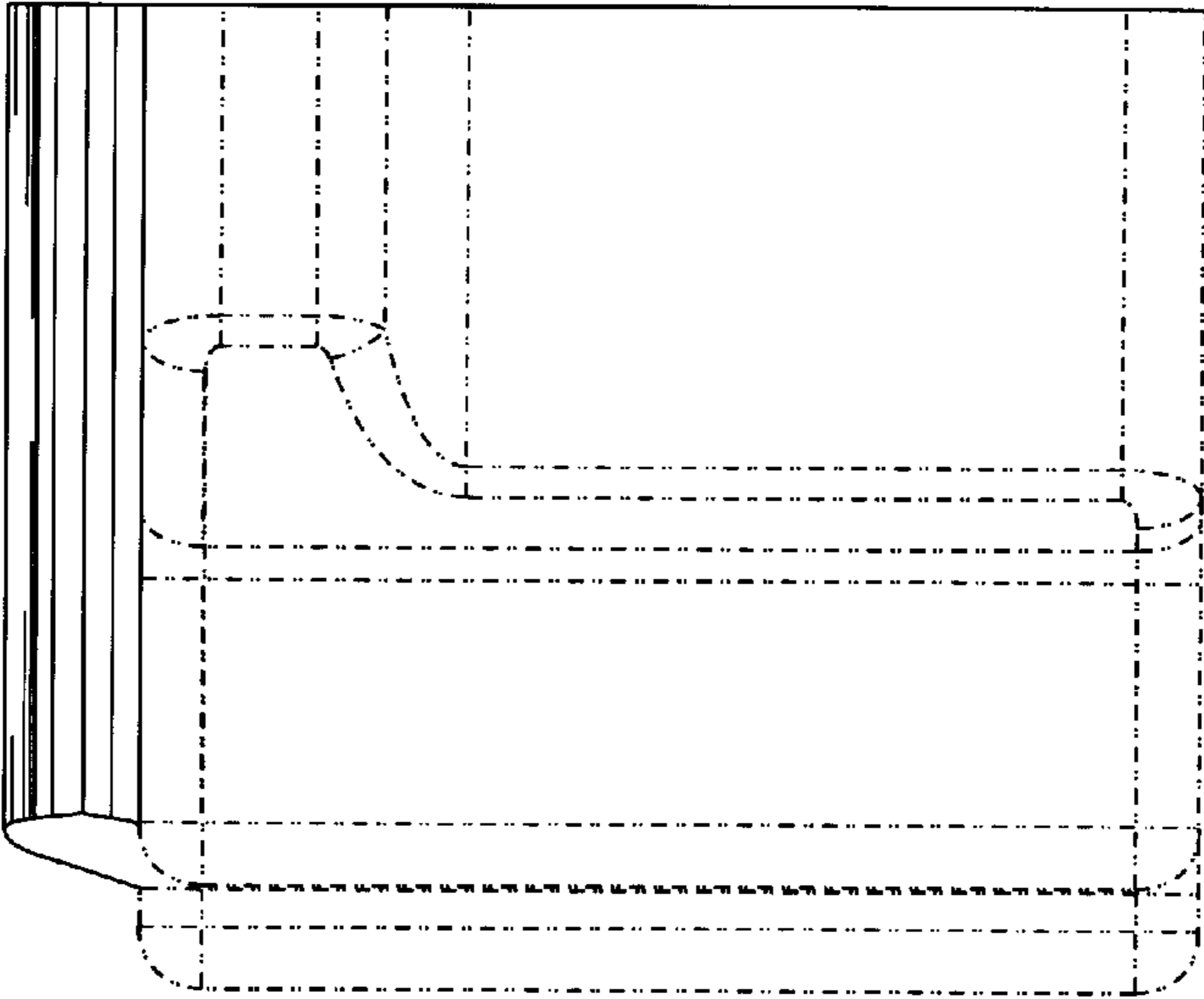


FIG. 3

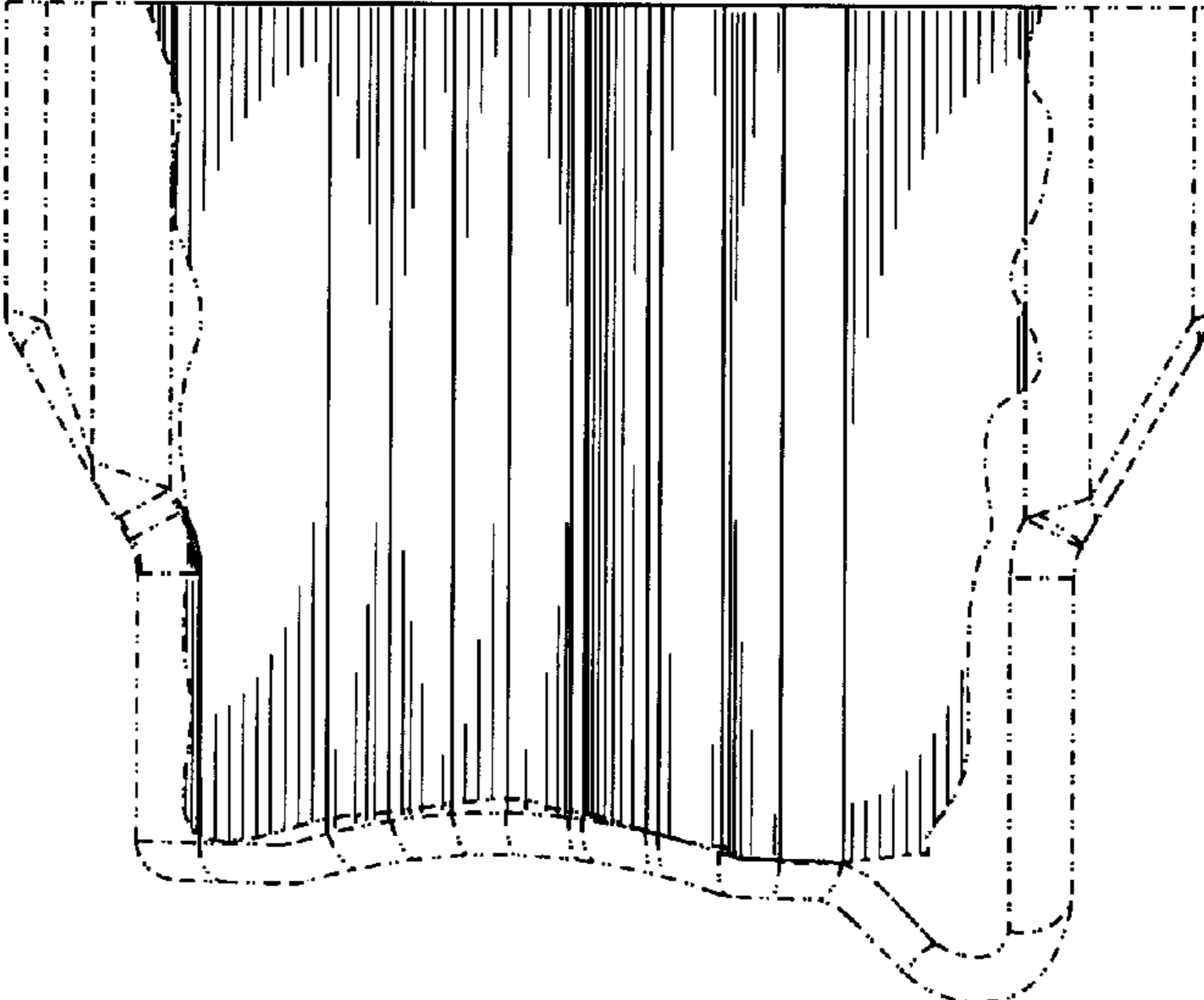


FIG. 4

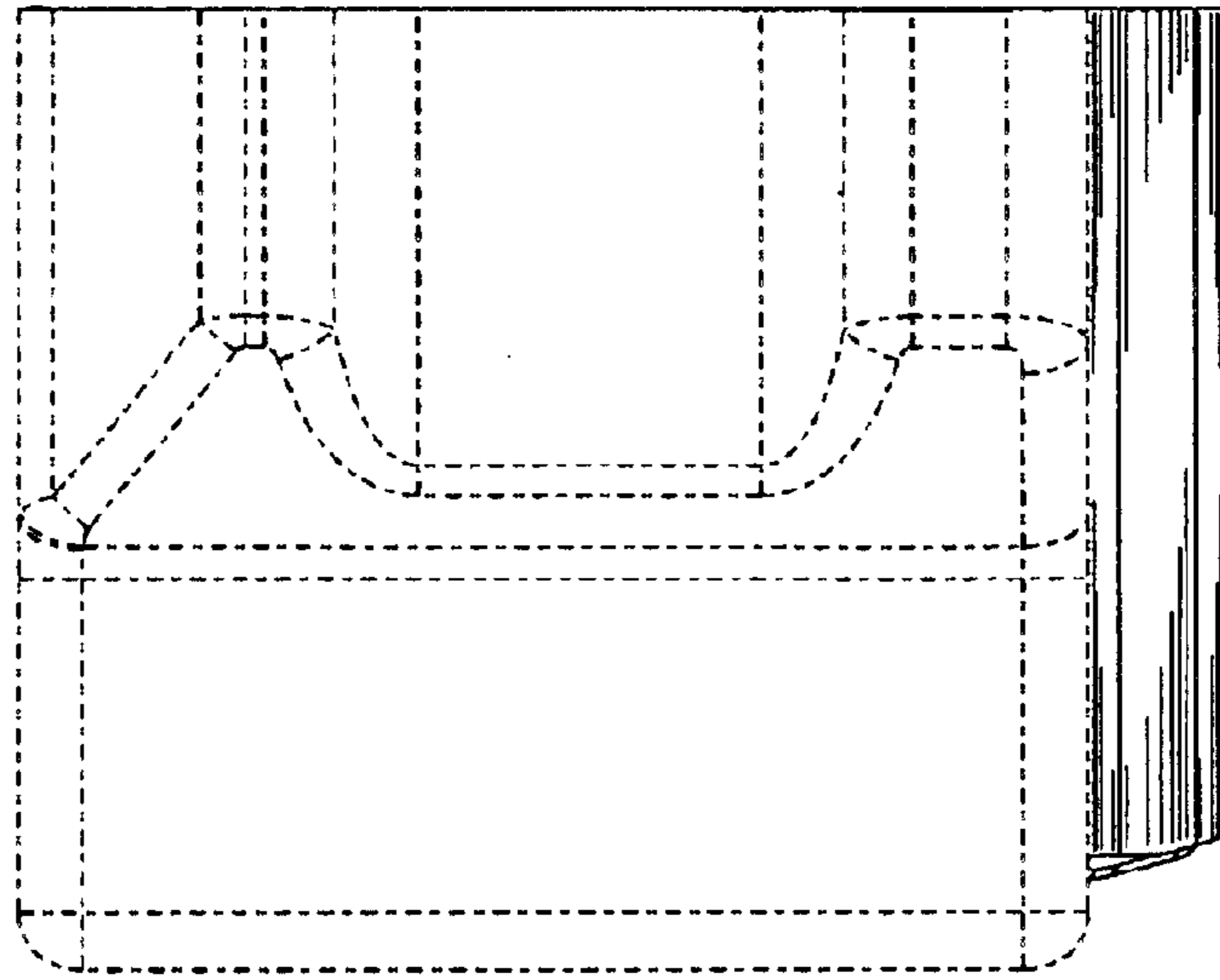


FIG. 5

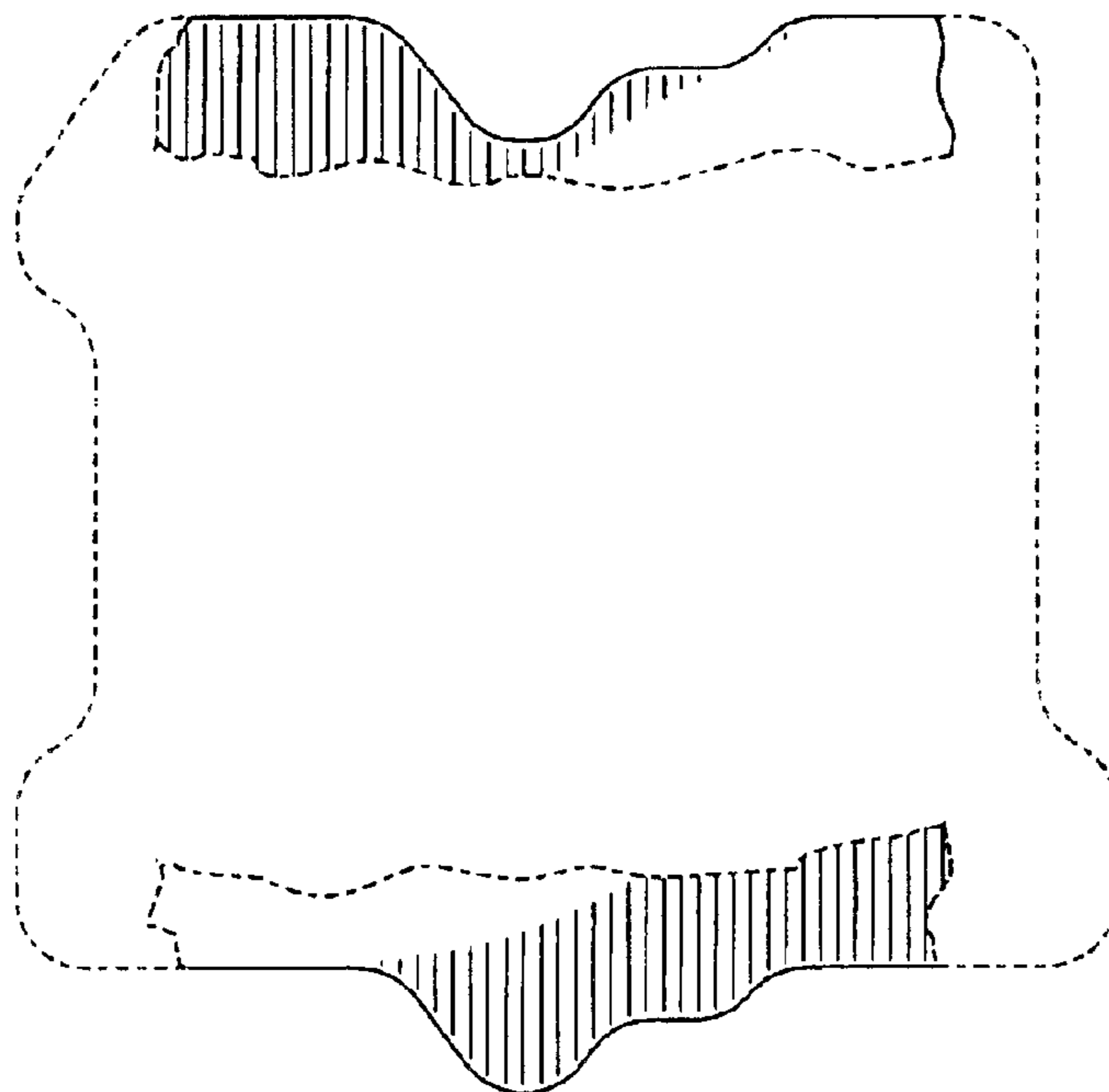


FIG. 6

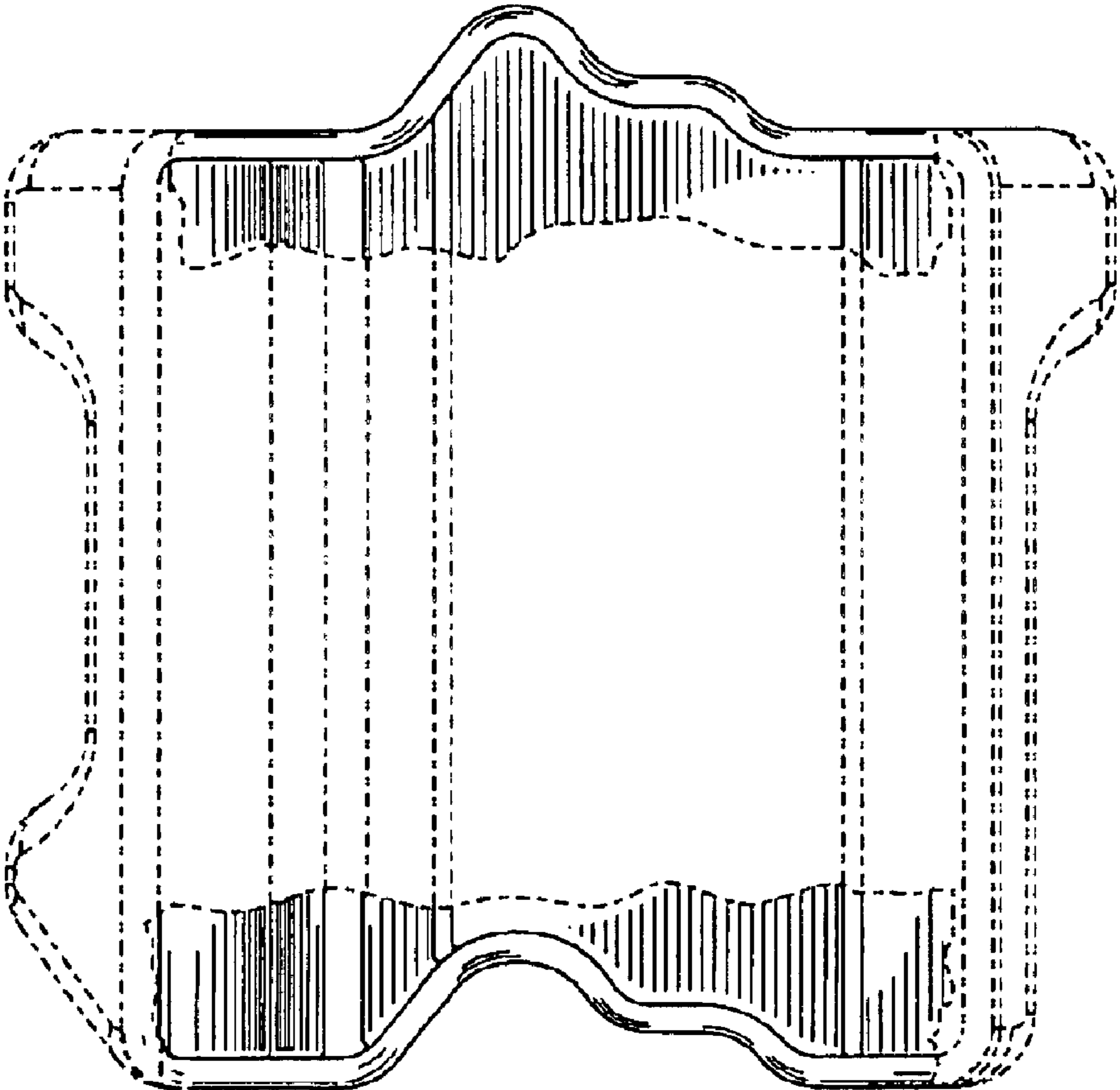


FIG. 7

UNITED STATES PATENT AND TRADEMARK OFFICE
CERTIFICATE OF CORRECTION

PATENT NO. : Des. 500,784 S
APPLICATION NO. : 29/195153
DATED : January 11, 2005
INVENTOR(S) : Brent R. Jones et al.

Page 1 of 6

It is certified that error appears in the above-identified patent and that said Letters Patent is hereby corrected as shown below:

The Title page, showing an illustrative figure, should be deleted and substitute therefor the attached title page.

(12) **United States Design Patent**
 Jones et al.

(10) Patent No.: **US D500,784 S**
 (45) Date of Patent: **** Jan. 11, 2005**

(54) **INK STICK FOR PHASE CHANGE INK JET
 PRINTER**

(75) Inventors: Brent R. Jones, Tualatin, OR (US);
 Frederlek T. Mattern, Portland, OR
 (US); Jasper Wong, Portland, OR (US)

(73) Assignee: Xerox Corporation, Stamford, CT
 (US)

D453,786 S	*	2/2002	Mattern	D18/56
D453,787 S	*	2/2002	Mattern	D18/56
D478,347 S		8/2003	Jones	D18/56
D479,368 S		9/2003	Jones	
D481,758 S		11/2003	Jones	D18/56
D482,662 S	*	11/2003	Jones	D18/56
6,672,716 B2	*	1/2004	Jones	347/88
2003/0202071 A1		10/2003	Jones et al.	347/88
2003/0202075 A1		10/2003	Jones	347/99

(**) Term: 14 Years

(21) Appl. No.: 29/195,153

(22) Filed: Dec. 8, 2003

(51) LOC (7) Cl. 18-02
 (52) U.S. Cl. D18/56; 347/88
 (58) Field of Search D18/56; D21/499;
 347/88, 99; 106/31.29, 31.61

(56) **References Cited**

U.S. PATENT DOCUMENTS

5,223,860 A	6/1993	Loolbourn et al.	
D346,823 S	5/1994	Smith D18/56
5,510,821 A	4/1996	Jones et al. 347/88
5,734,402 A	3/1998	Rausseau et al. 347/88
D403,699 S	1/1999	Chin et al. D18/56
5,861,903 A	1/1999	Crawford et al. 347/88
D407,112 S	* 3/1999	Chin et al. D18/56
D407,742 S	* 4/1999	Yao et al. D18/56
D415,193 S	* 10/1999	Jones D18/56
D436,124 S	* 1/2001	Mattern et al. D18/56
D436,989 S	* 1/2001	Mattern et al. D18/56
D440,248 S	* 4/2001	Mattern et al. D18/56

OTHER PUBLICATIONS

A list of Tektronix/Xerox Corporation Solid Ink Products sold at least one year prior to Apr. 29, 2002.

* cited by examiner

Primary Examiner—Cathy Anne MacCormac

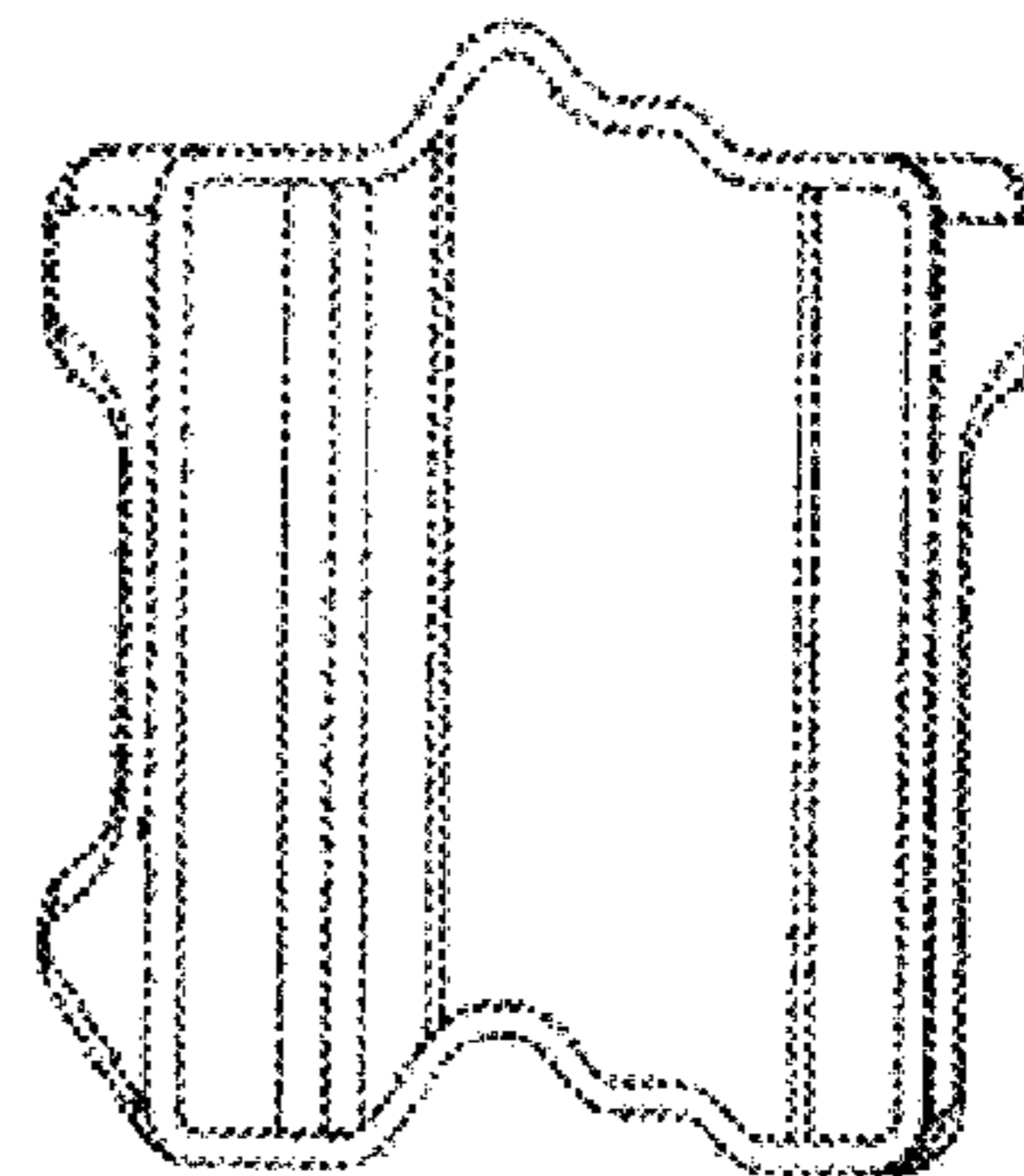
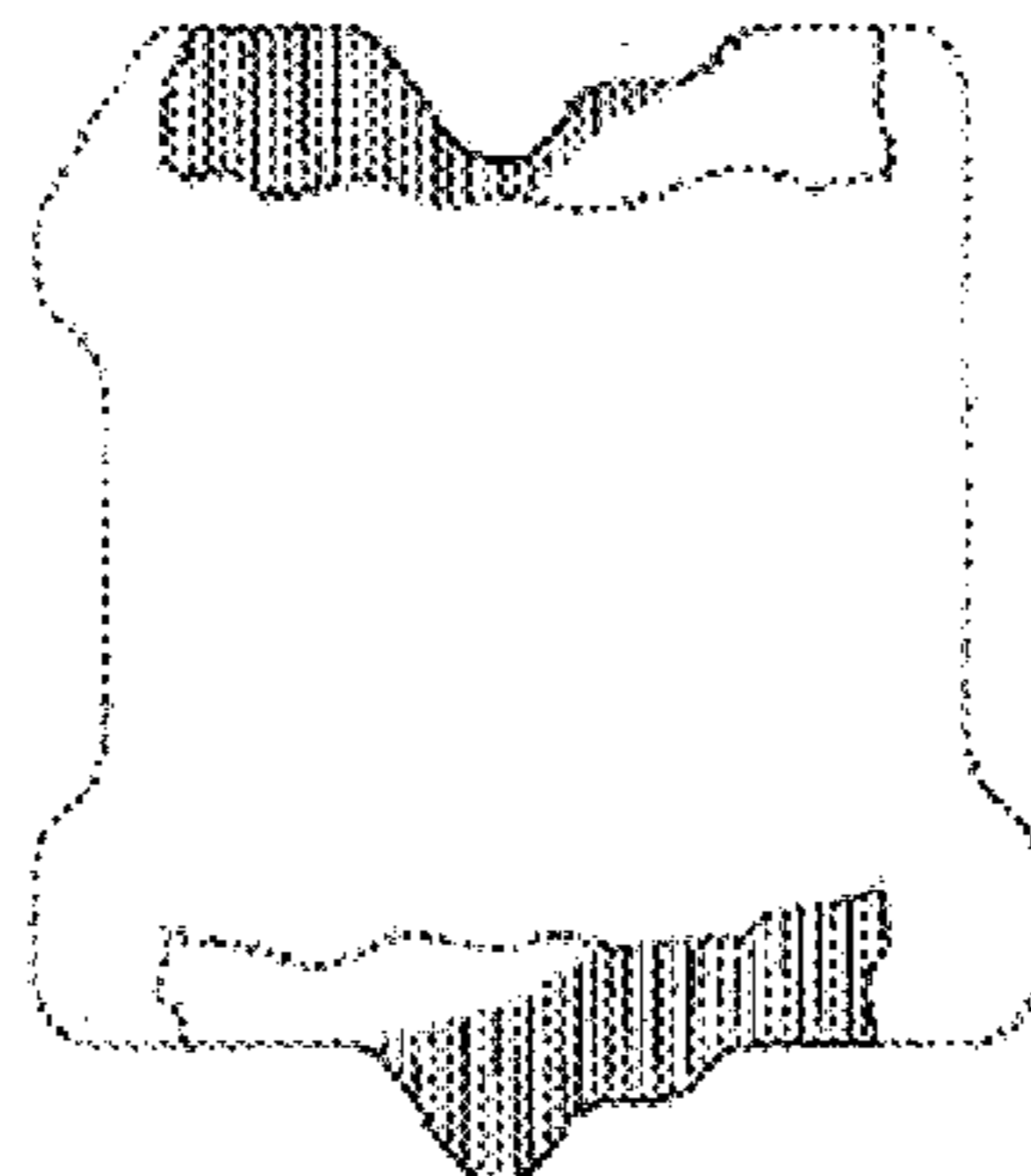
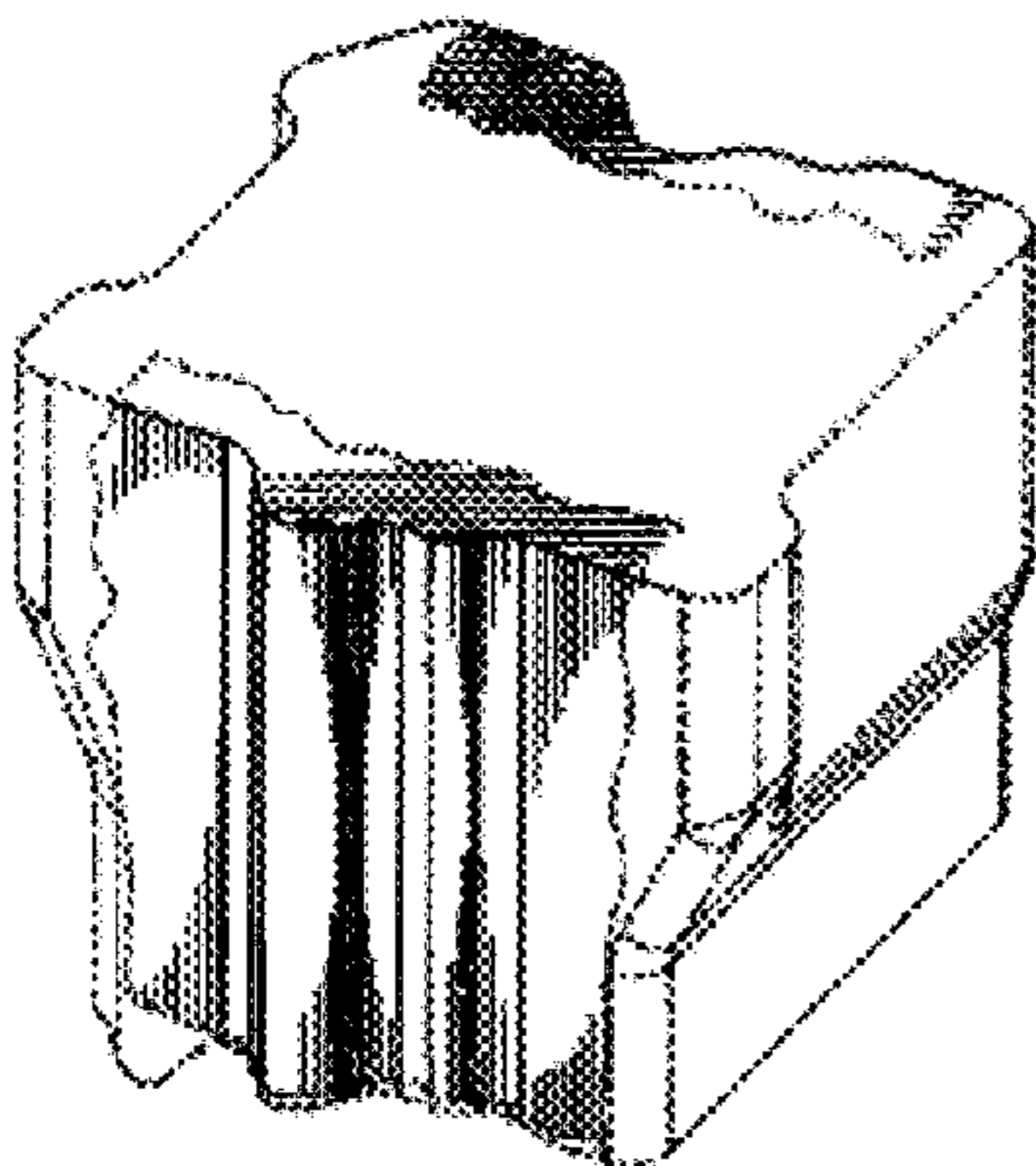
(57) **CLAIM**

The ornamental design for an ink stick for phase change ink jet printer, as shown and described.

DESCRIPTION

FIG. 1 is a perspective view of an ink stick for phase change ink jet printer illustrating the new design; FIG. 2 is a front elevational view thereof; FIG. 3 is a right side elevational view thereof; FIG. 4 is a rear elevational view thereof; FIG. 5 is a left side elevational view thereof; FIG. 6 is a top plan view thereof; and, FIG. 7 is a bottom plan view thereof. The broken lines are for illustrative purposes only and form no part of the claimed design.

1 Claim, 4 Drawing Sheets



UNITED STATES PATENT AND TRADEMARK OFFICE
CERTIFICATE OF CORRECTION

PATENT NO. : Des. 500,784 S
APPLICATION NO. : 29/195153
DATED : January 11, 2005
INVENTOR(S) : Brent R. Jones et al.

Page 3 of 6

It is certified that error appears in the above-identified patent and that said Letters Patent is hereby corrected as shown below:

Delete figure 1, and substitute therefor Figure 1, should appear as follows:

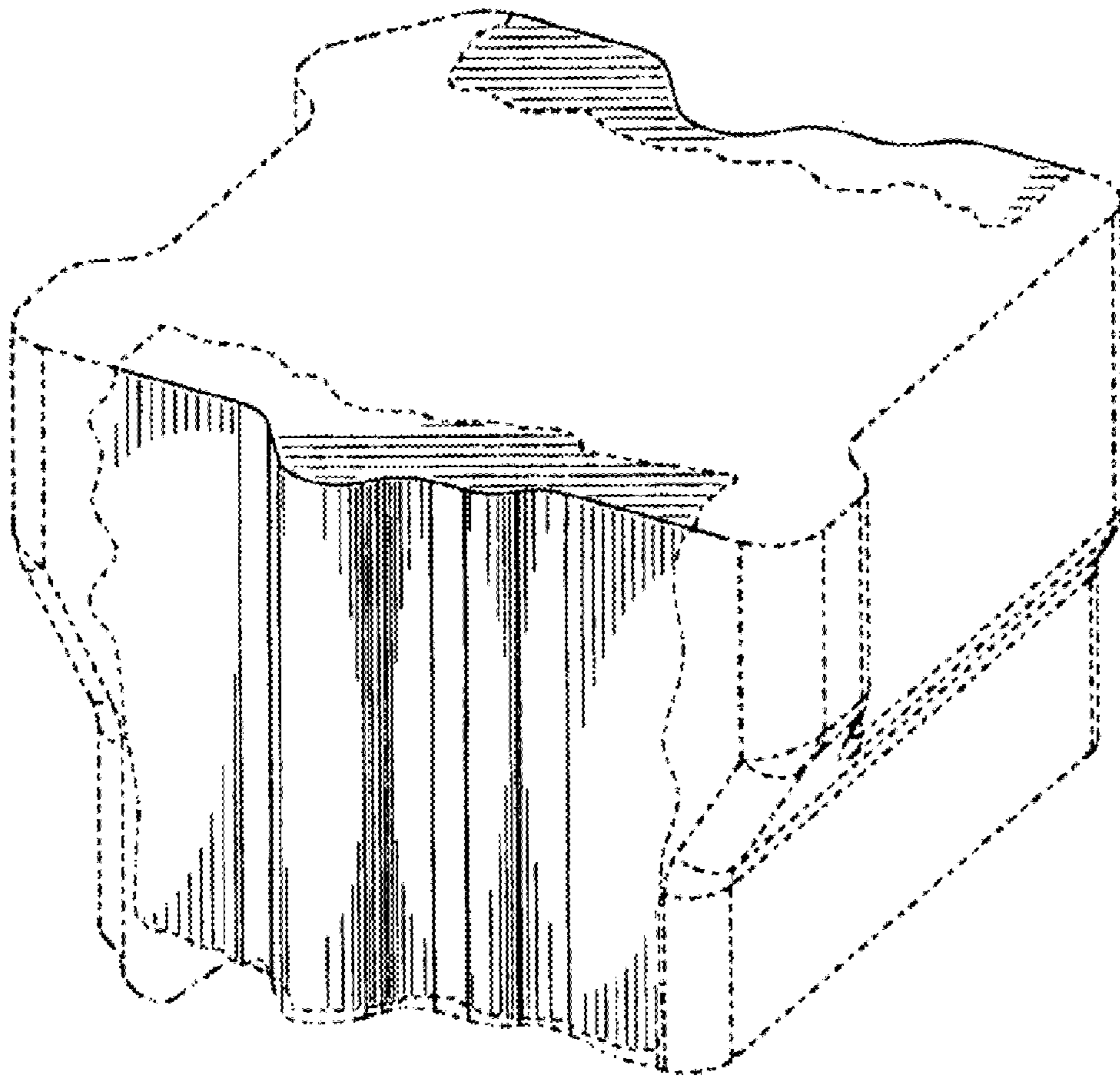


FIG. 1

UNITED STATES PATENT AND TRADEMARK OFFICE
CERTIFICATE OF CORRECTION

PATENT NO. : Des. 500,784 S
APPLICATION NO. : 29/195153
DATED : January 11, 2005
INVENTOR(S) : Brent R. Jones et al.

Page 4 of 6

It is certified that error appears in the above-identified patent and that said Letters Patent is hereby corrected as shown below:

Delete figure 3, and substitute therefor Figure 3, should appear as follows:

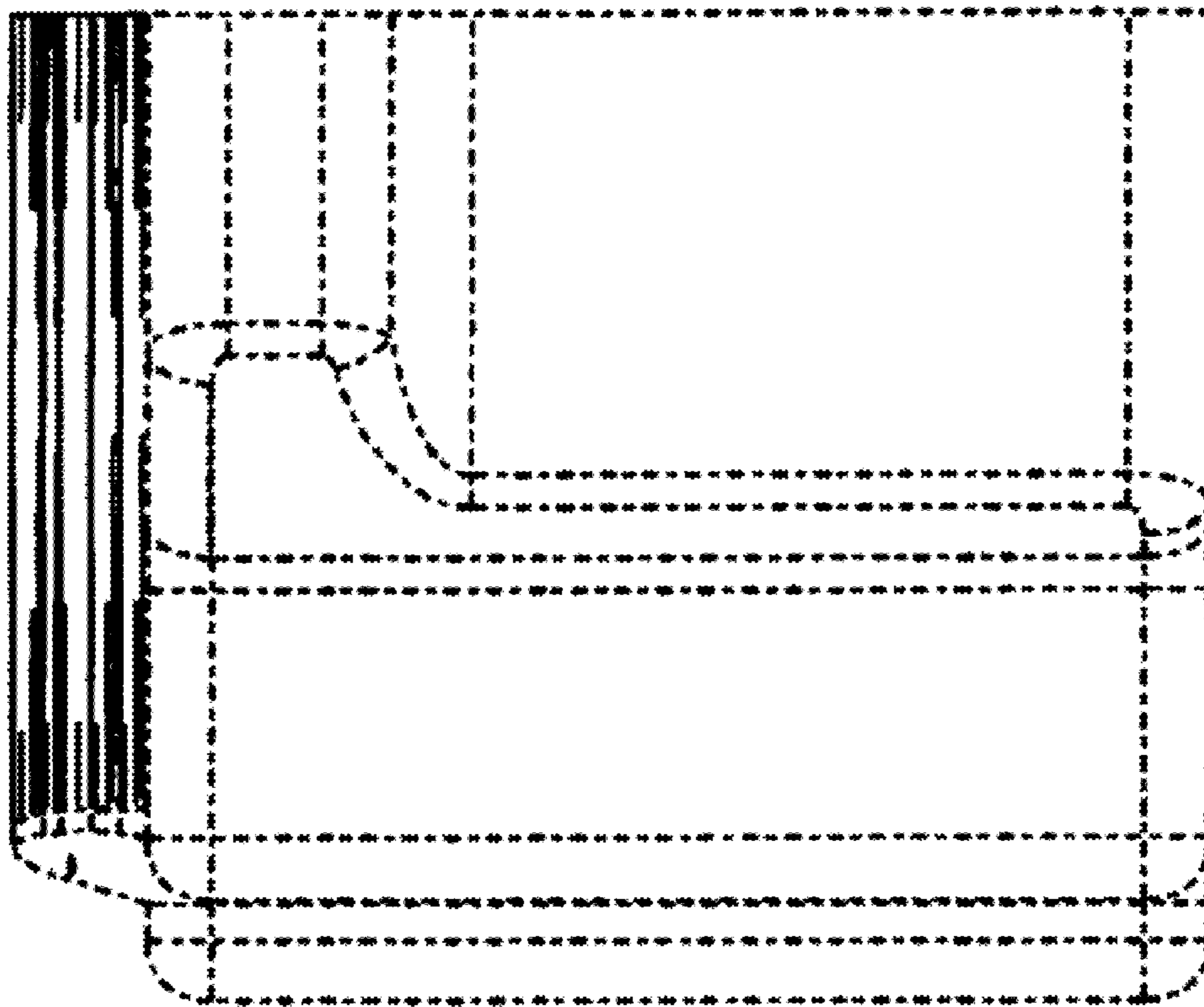


FIG. 3

UNITED STATES PATENT AND TRADEMARK OFFICE
CERTIFICATE OF CORRECTION

PATENT NO. : Des. 500,784 S
APPLICATION NO. : 29/195153
DATED : January 11, 2005
INVENTOR(S) : Brent R. Jones et al.

Page 5 of 6

It is certified that error appears in the above-identified patent and that said Letters Patent is hereby corrected as shown below:

Delete figure 5, and substitute therefor Figure 5, should appear as follows:

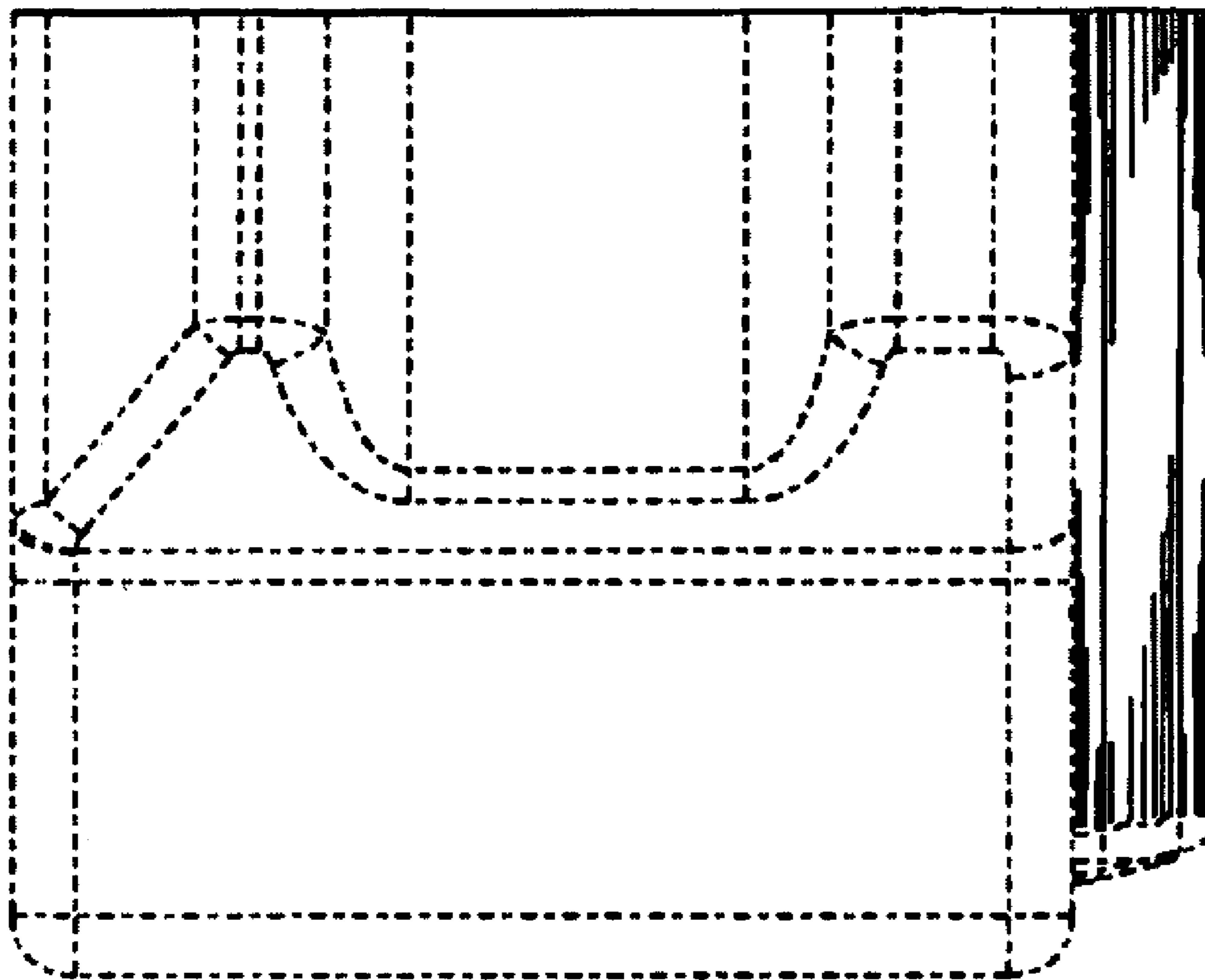


FIG. 5

UNITED STATES PATENT AND TRADEMARK OFFICE
CERTIFICATE OF CORRECTION

PATENT NO. : Des. 500,784 S
APPLICATION NO. : 29/195153
DATED : January 11, 2005
INVENTOR(S) : Brent R. Jones et al.

Page 6 of 6

It is certified that error appears in the above-identified patent and that said Letters Patent is hereby corrected as shown below:

Delete figure 7, and substitute therefor Figure 7, should appear as follows:

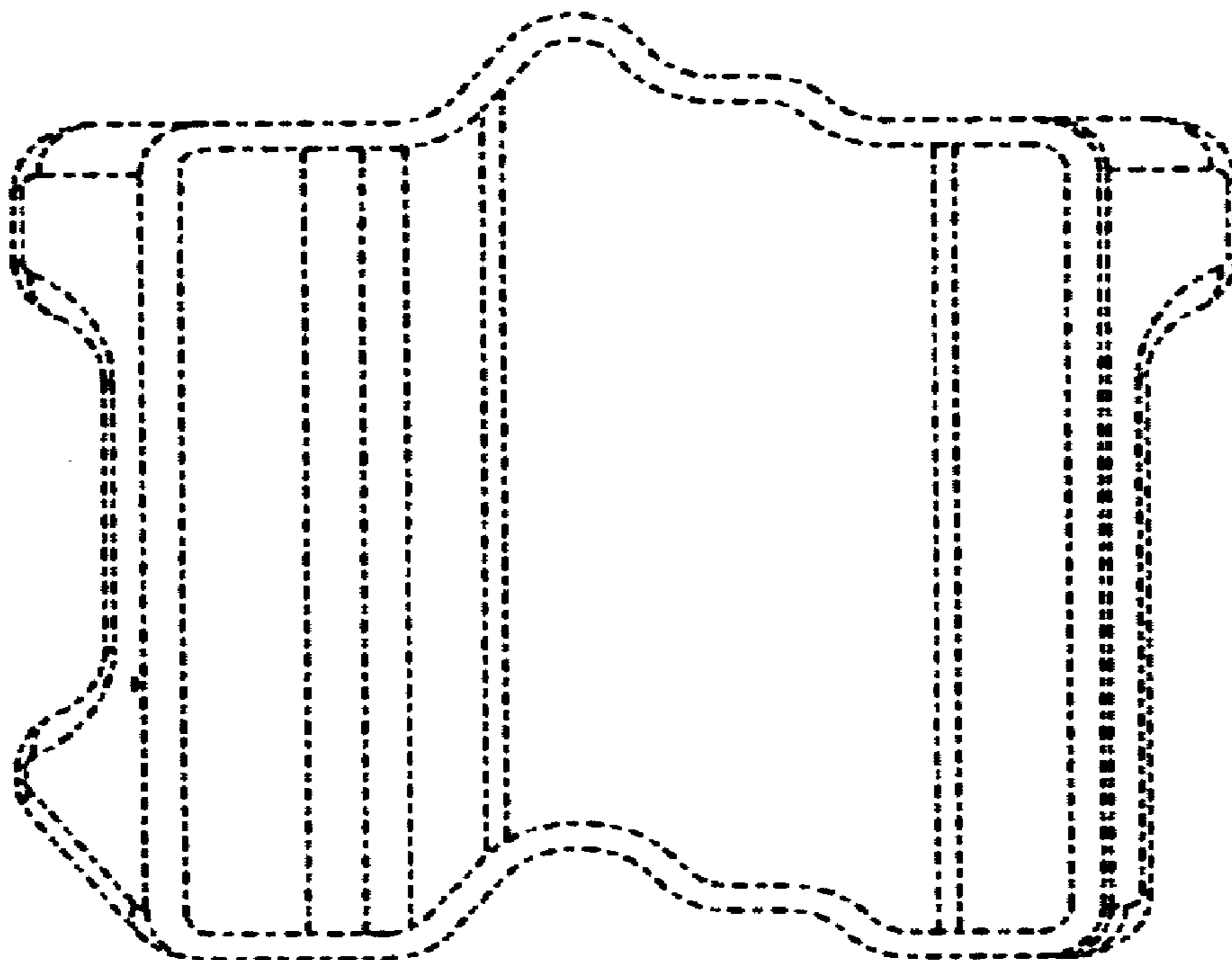


FIG. 7

Signed and Sealed this

Twelfth Day of August, 2008

A handwritten signature in black ink, reading "Jon W. Dudas". The signature is stylized and cursive.

JON W. DUDAS
Director of the United States Patent and Trademark Office