

US00D500779S

(12) **United States Design Patent**
Shimobayashi

(10) **Patent No.:** **US D500,779 S**
(45) **Date of Patent:** **** Jan. 11, 2005**

(54) **DIGITAL CAMERA**

(75) **Inventor:** **Koji Shimobayashi, Hachioji (JP)**

(73) **Assignee:** **Olympus Corporation, Tokyo (JP)**

(**) **Term:** **14 Years**

(21) **Appl. No.:** **29/206,085**

(22) **Filed:** **May 26, 2004**

Related U.S. Application Data

(62) Division of application No. 29/194,383, filed on Nov. 24, 2003.

(30) **Foreign Application Priority Data**

Sep. 19, 2003 (JP) 2003-27547
Sep. 19, 2003 (JP) 2003-27548

(51) **LOC (7) Cl.** **16-05**

(52) **U.S. Cl.** **D16/219; D16/202**

(58) **Field of Search** **D16/200-204, D16/208, 209, 211, 212, 218, 219; 348/373-376; 358/909.1; 396/349, 429, 448, 535, 536-541**

(56) **References Cited**

U.S. PATENT DOCUMENTS

D392,660 S 3/1998 Kim et al. D16/209
D437,868 S * 2/2001 Naito D16/212
D449,059 S * 10/2001 Shimobayashi D16/202
6,404,992 B1 * 6/2002 Saito et al. 396/429
6,424,803 B1 7/2002 Mikami et al. 396/448
D465,800 S 11/2002 Suzuki et al. D16/202

D481,405 S * 10/2003 Sakaguchi D16/202
D483,786 S 12/2003 Urushihata D16/212
D484,167 S * 12/2003 Naito D16/219
D485,288 S 1/2004 Watarai D16/212
2002/0081115 A1 * 6/2002 Suzuki et al. 396/429

OTHER PUBLICATIONS

Olympus Corporation Catalog showing a digital camera (CAMEDIA X-2), Published Dec. 2002.

* cited by examiner

Primary Examiner—Adir Aronovich

(74) *Attorney, Agent, or Firm*—Hogan & Hartson LLP

(57) **CLAIM**

The ornamental design for a digital camera, as shown and described.

DESCRIPTION

FIG. 1 is a rear, top and left side perspective view of a second embodiment of digital camera with a barrier in a closed state;

FIG. 2 is a front, top and right side perspective view thereof with the barrier in a closed state;

FIG. 3 is a front elevational view thereof;

FIG. 4 is a rear elevational view thereof;

FIG. 5 is a top plan view thereof;

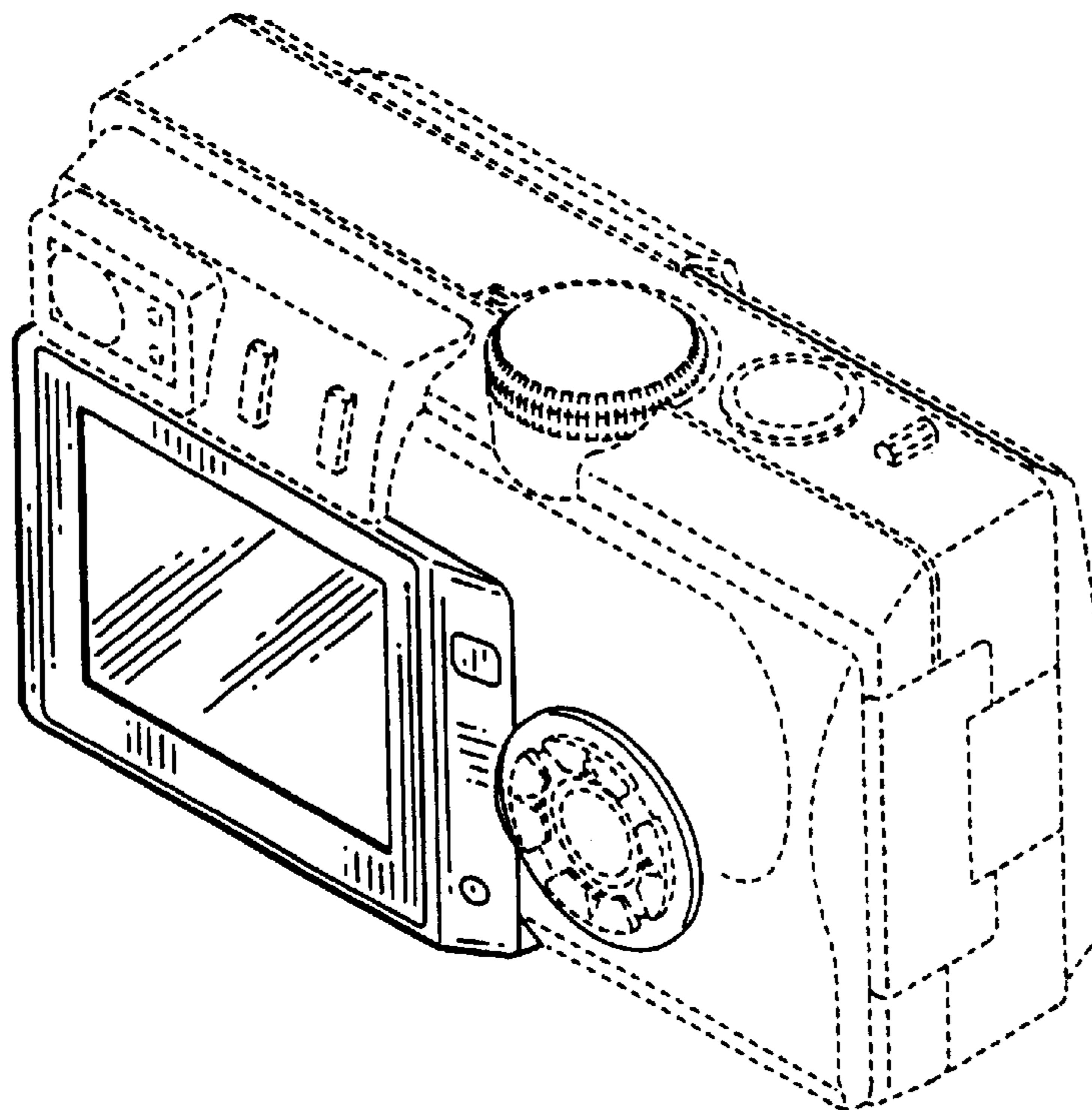
FIG. 6 is a bottom plan view thereof;

FIG. 7 is a right side elevational view thereof; and,

FIG. 8 is a left side elevational view thereof.

The broken lines are for illustrative purposes only and form no part of the claimed design.

1 Claim, 3 Drawing Sheets



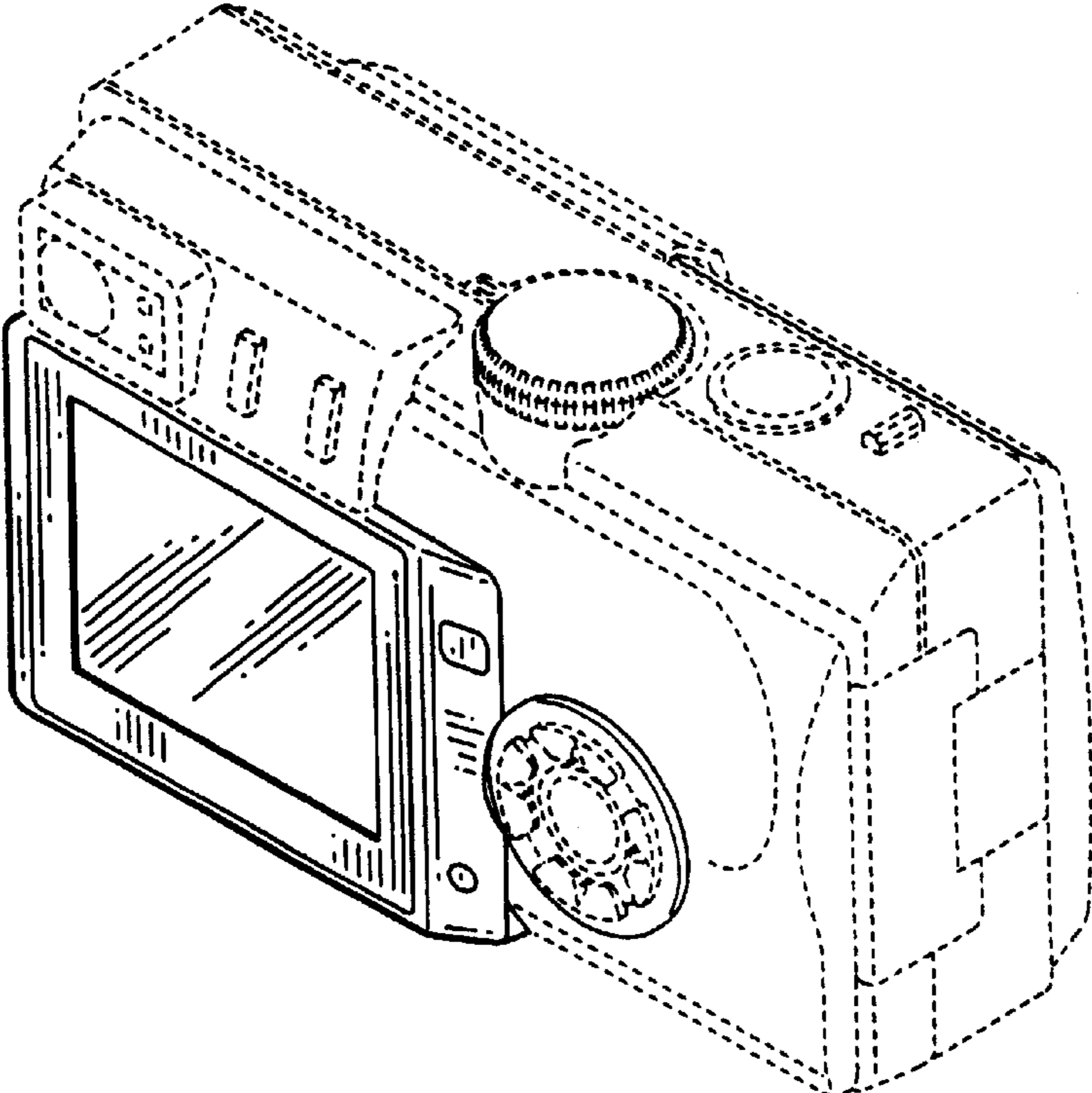


FIG. 1

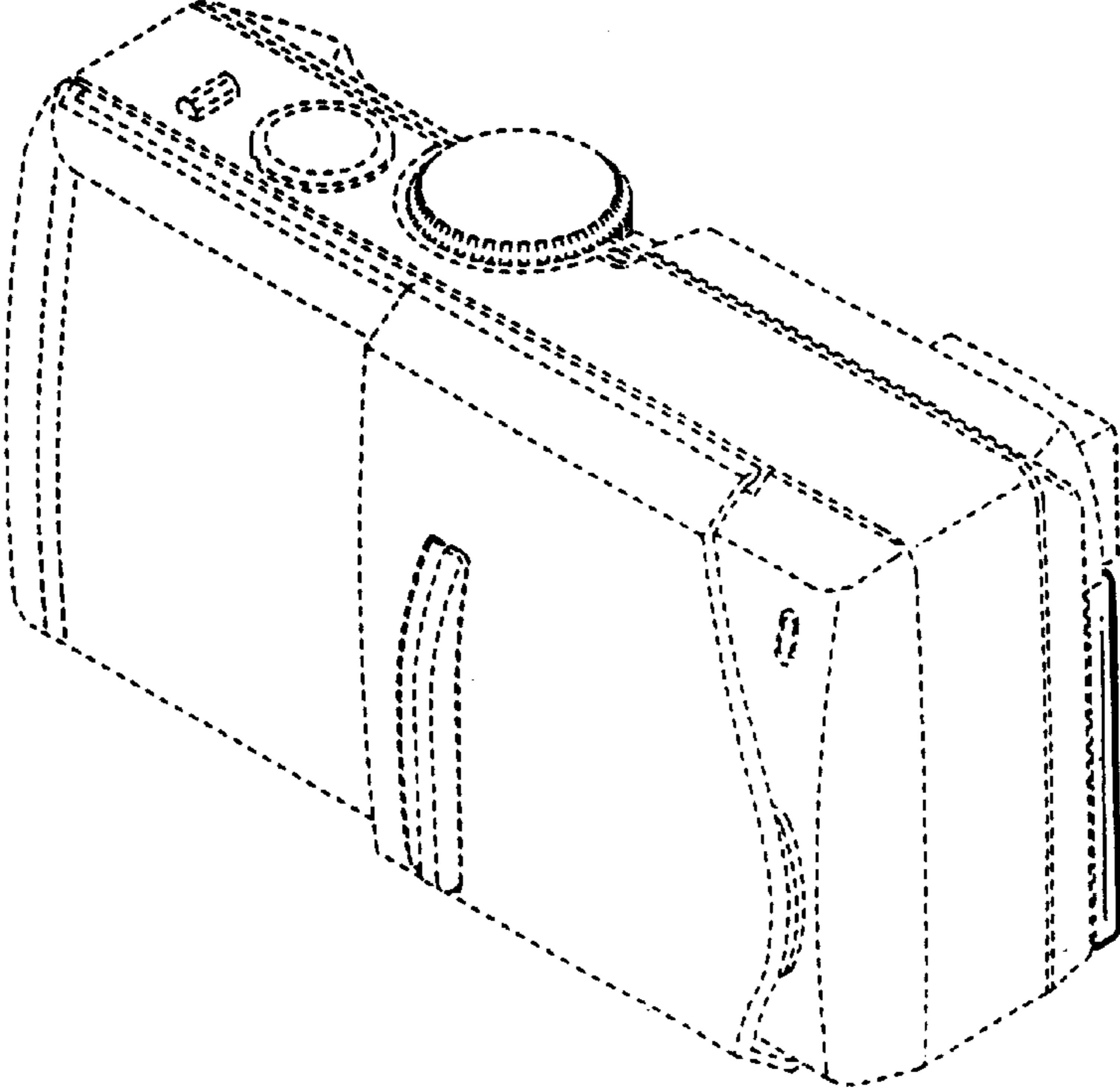


FIG. 2

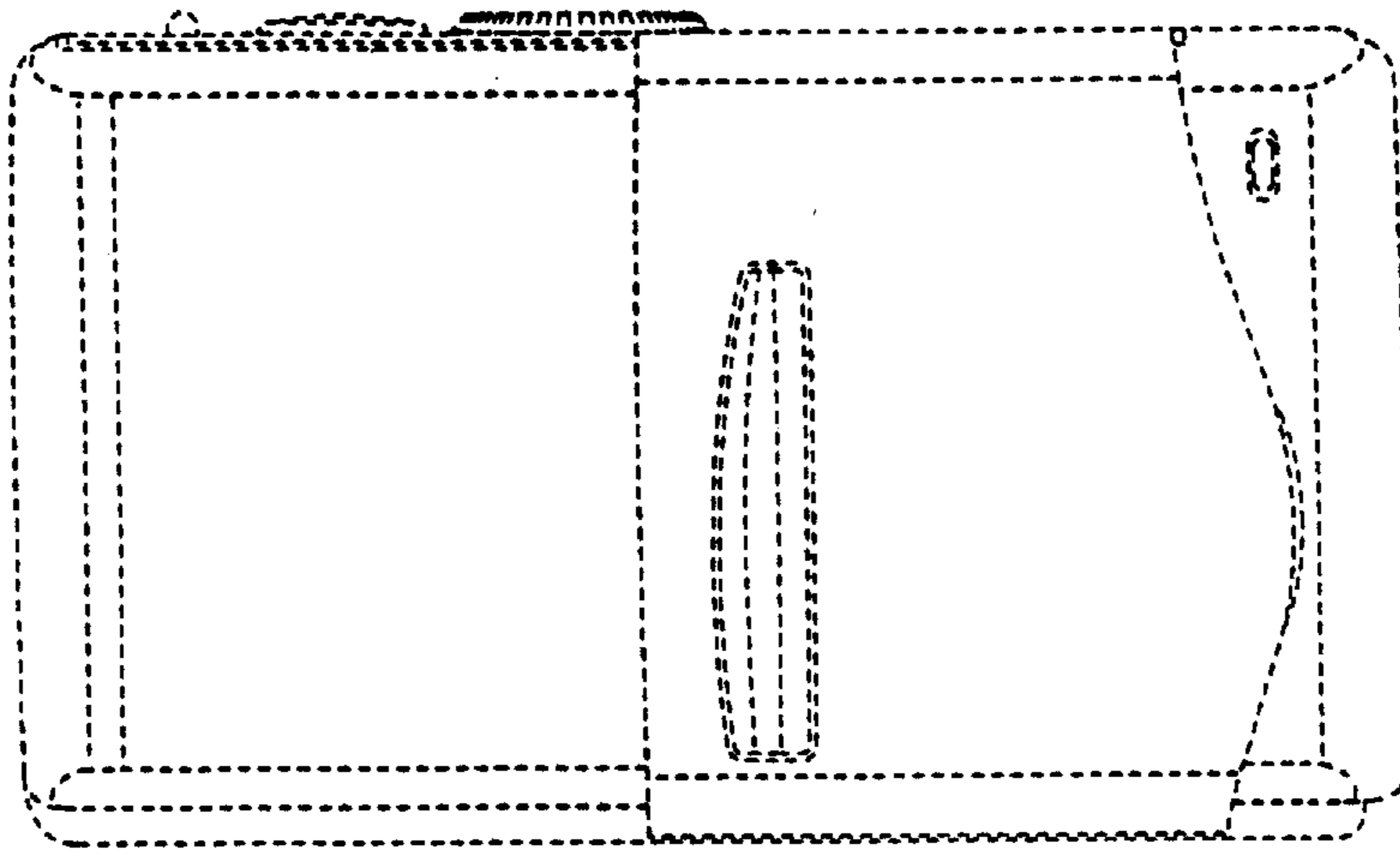


FIG. 3

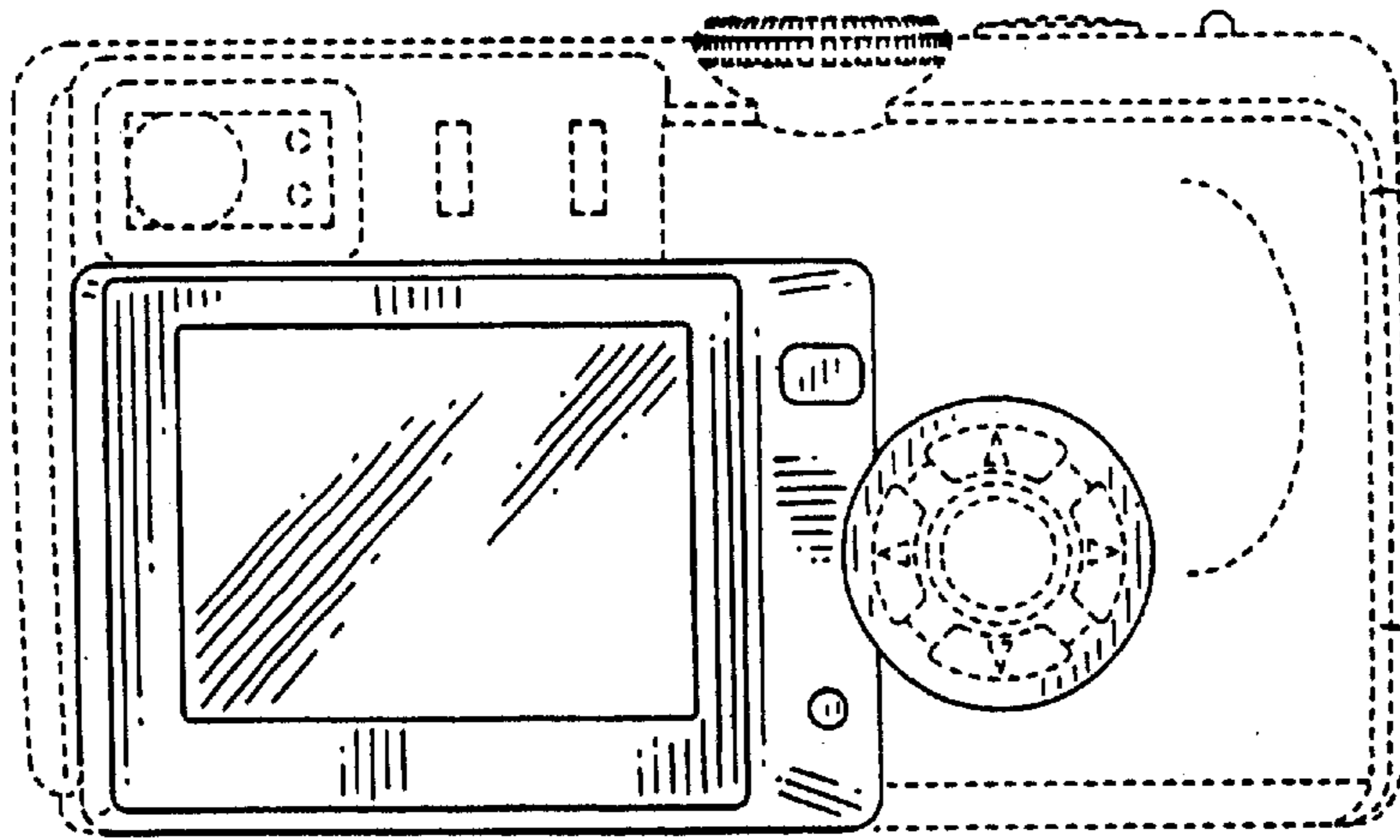


FIG. 4

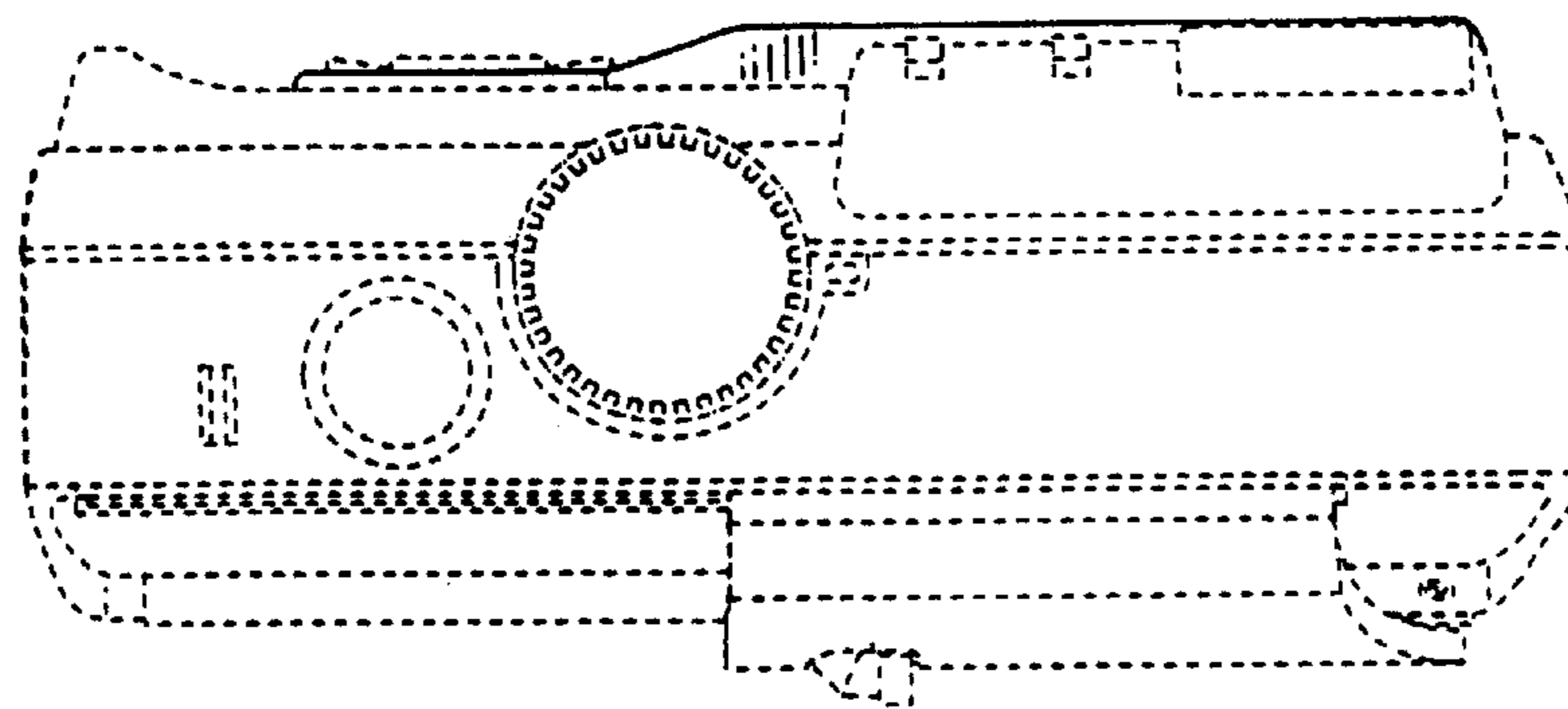


FIG. 5

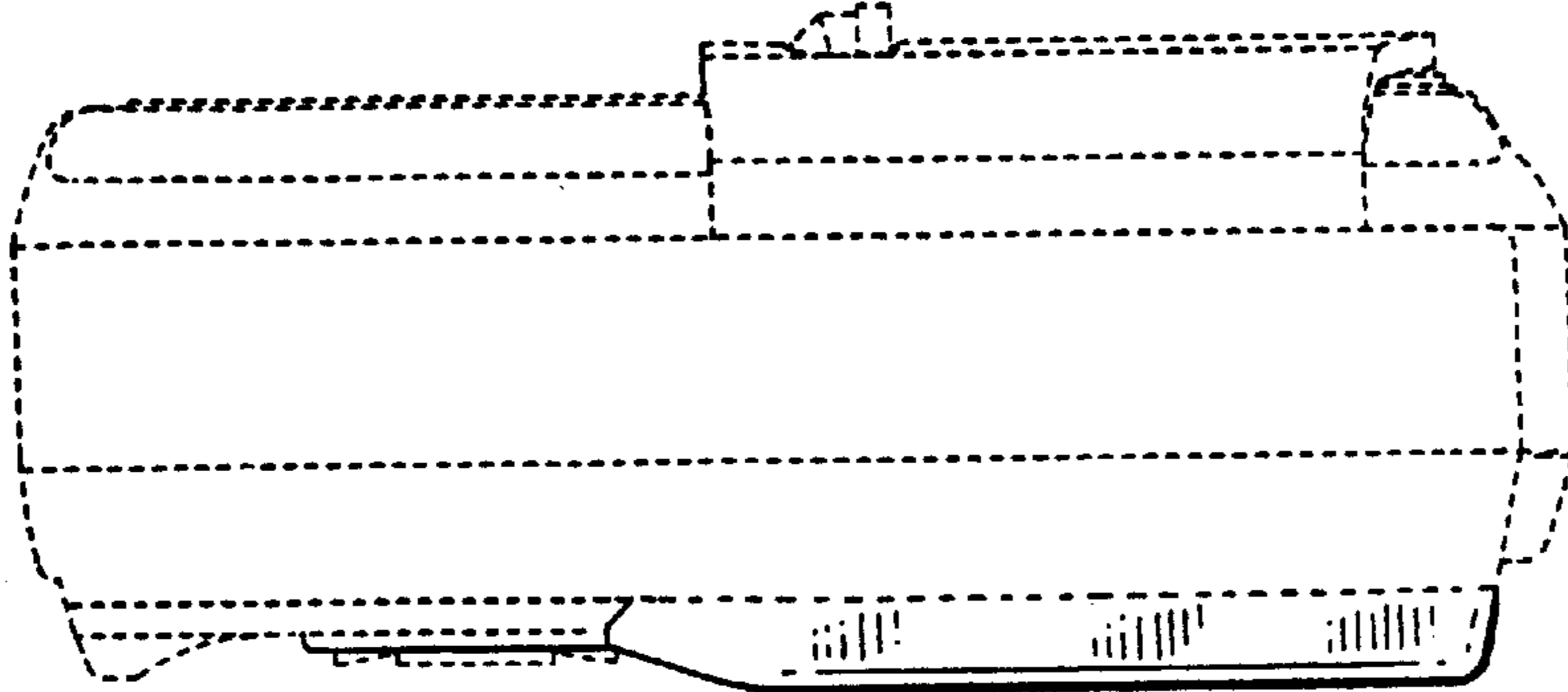


FIG. 6

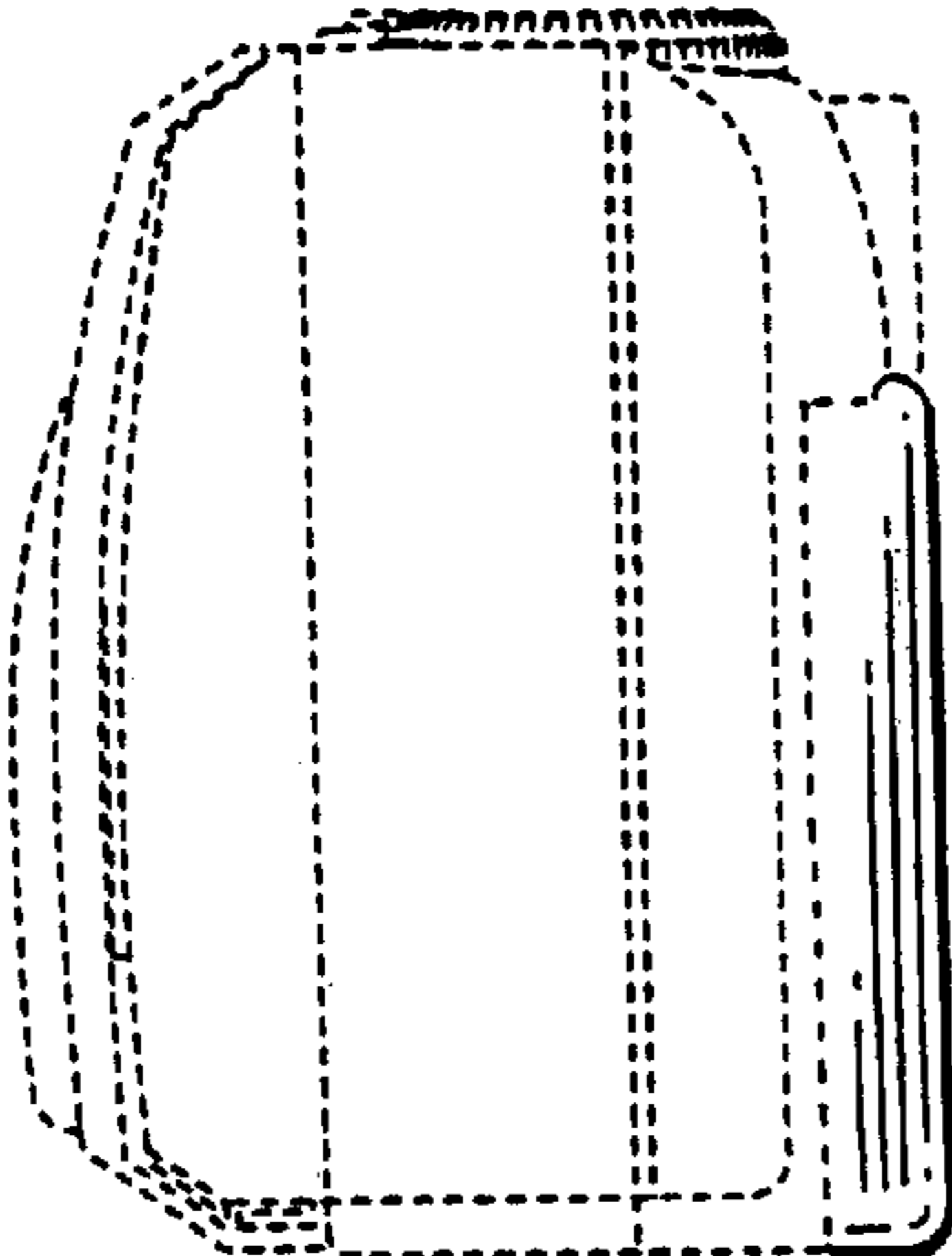


FIG. 7

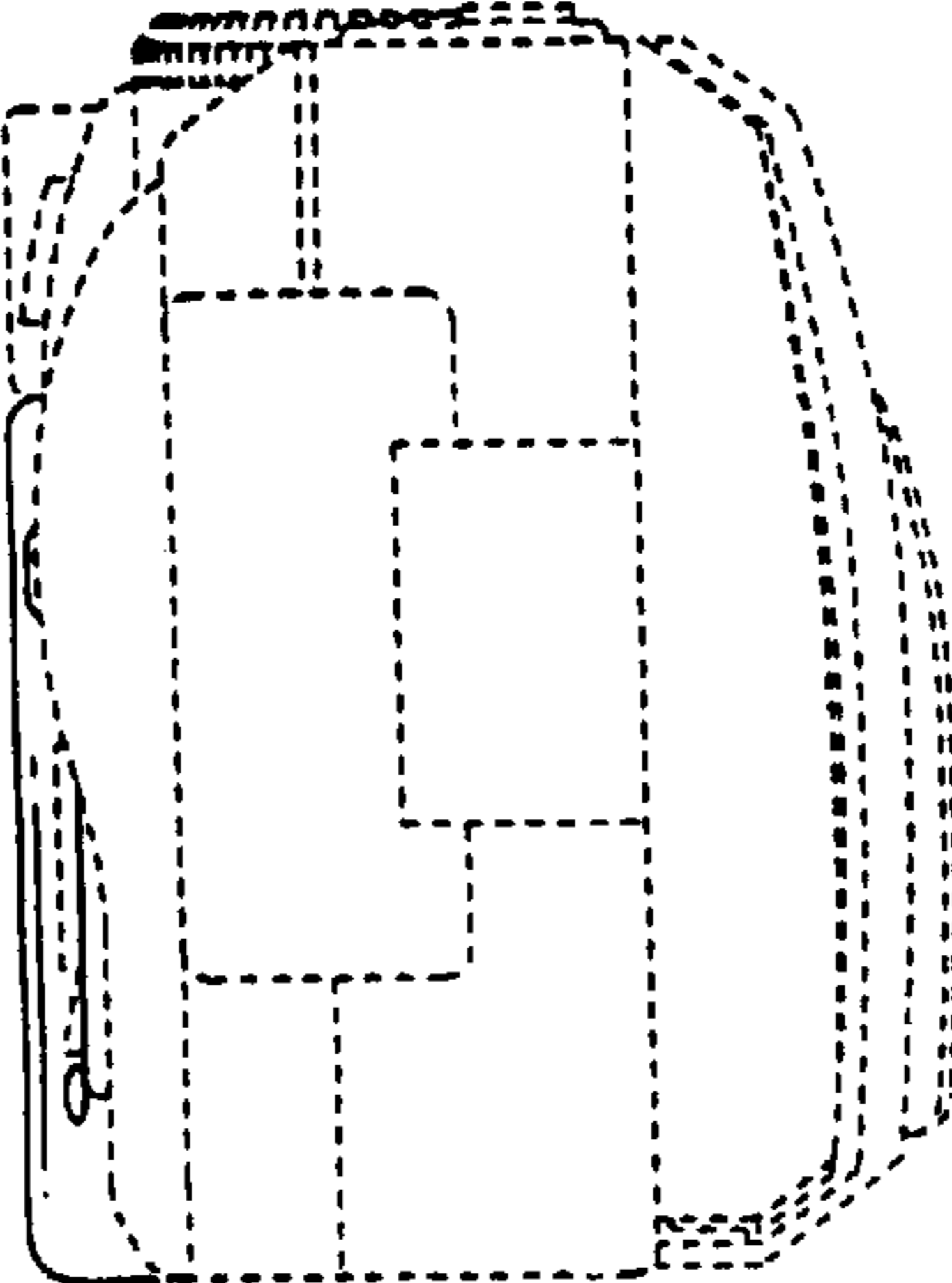


FIG. 8