

US00D500777S

(12) **United States Design Patent**
Basmadjian et al.

(10) **Patent No.:** **US D500,777 S**
(45) **Date of Patent:** **** Jan. 11, 2005**

(54) **POCKET CAMERA**

(75) Inventors: **George Basmadjian**, Union City, CA (US); **Mark Manuel Martinez**, San Francisco, CA (US); **Dave O'Brien**, San Jose, CA (US); **Rico Luitpold Zorkendorfer**, San Francisco, CA (US); **Pontus Wahlgren**, San Francisco, CA (US)

(73) Assignee: **Logitech Europe S.A.**, Romanel-sur Morges (CH)

(**) Term: **14 Years**

(21) Appl. No.: **29/189,736**

(22) Filed: **Sep. 9, 2003**

(51) **LOC (7) Cl.** **16-01**

(52) **U.S. Cl.** **D16/212**

(58) **Field of Search** D16/200-204,
D16/208, 211, 212, 218; 348/373-376;
358/909.1; 396/349, 448, 535-541

(56) **References Cited**

U.S. PATENT DOCUMENTS

D283,427 S	*	4/1986	Iguchi	D16/212
D404,412 S	*	1/1999	Yoshii et al.	D16/202
D416,035 S	*	11/1999	Hamamura	D16/212
5,980,121 A	*	11/1999	Fujisaki	396/349
D470,523 S	*	2/2003	Basmadjian et al.	D16/212

* cited by examiner

Primary Examiner—Adir Aronovich
(74) *Attorney, Agent, or Firm*—Townsend and Townsend and Crew LLP

(57) **CLAIM**

The ornamental design for a pocket camera, as shown and described.

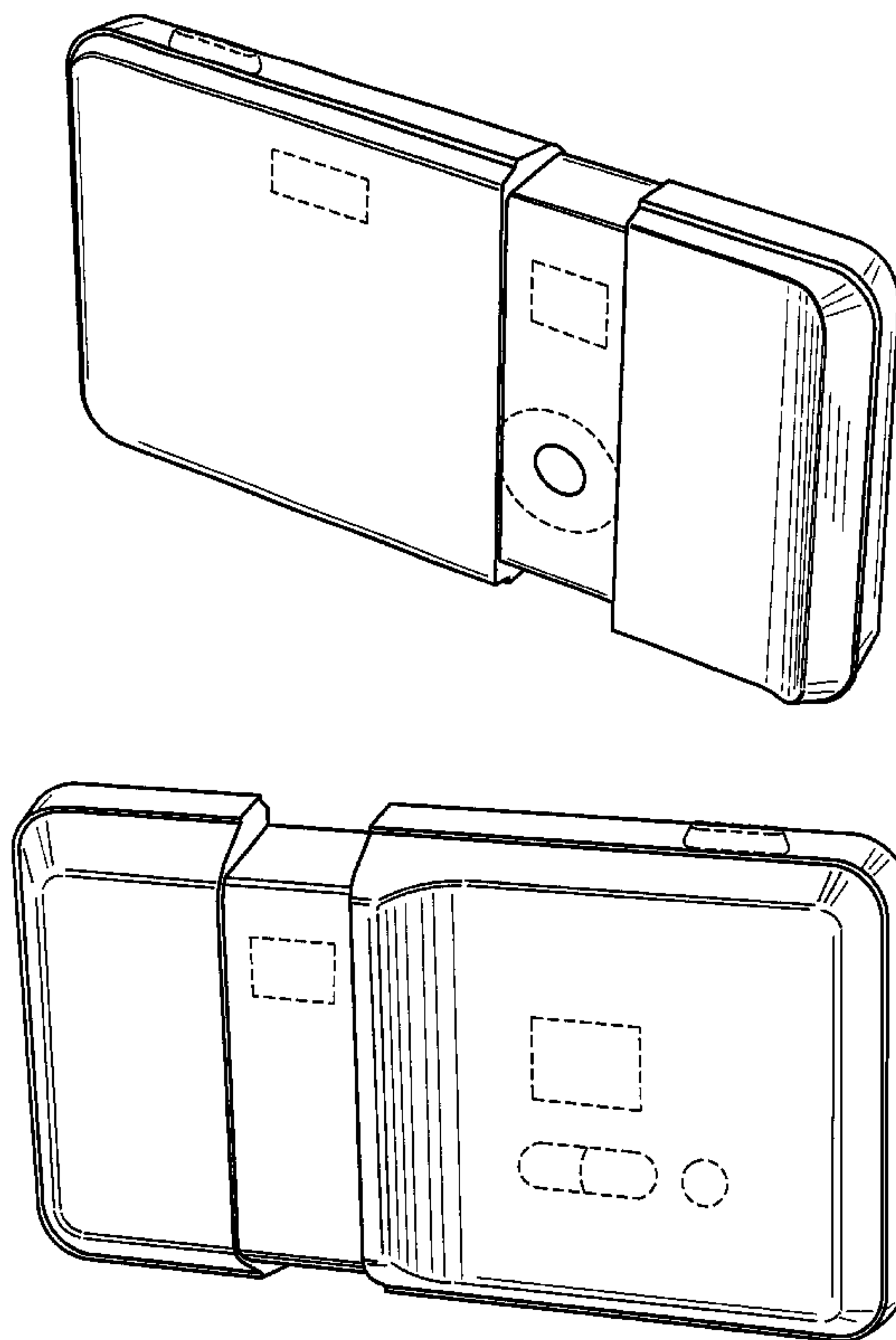
DESCRIPTION

FIG. 1 is a front perspective view of a pocket camera in a closed position showing our new design; FIG. 2 is a rear perspective view thereof; FIG. 3 is a front elevational view thereof; FIG. 4 is a top plan view thereof; FIG. 5 is a bottom plan view thereof; FIG. 6 is a rear elevational view thereof; FIG. 7 is a left side elevational view thereof; FIG. 8 is a right side elevational view thereof; FIG. 9 is a front perspective view thereof in an open position; and, FIG. 10 is a rear perspective view thereof in the open position.

The portions of the camera in broken lines are shown for illustrative purposes only and form no part of the claimed design.

Phantom lining, where utilized, is for illustrative purposes only, and is not intended to limit the claimed component design to the features shown in phantom.

1 Claim, 4 Drawing Sheets



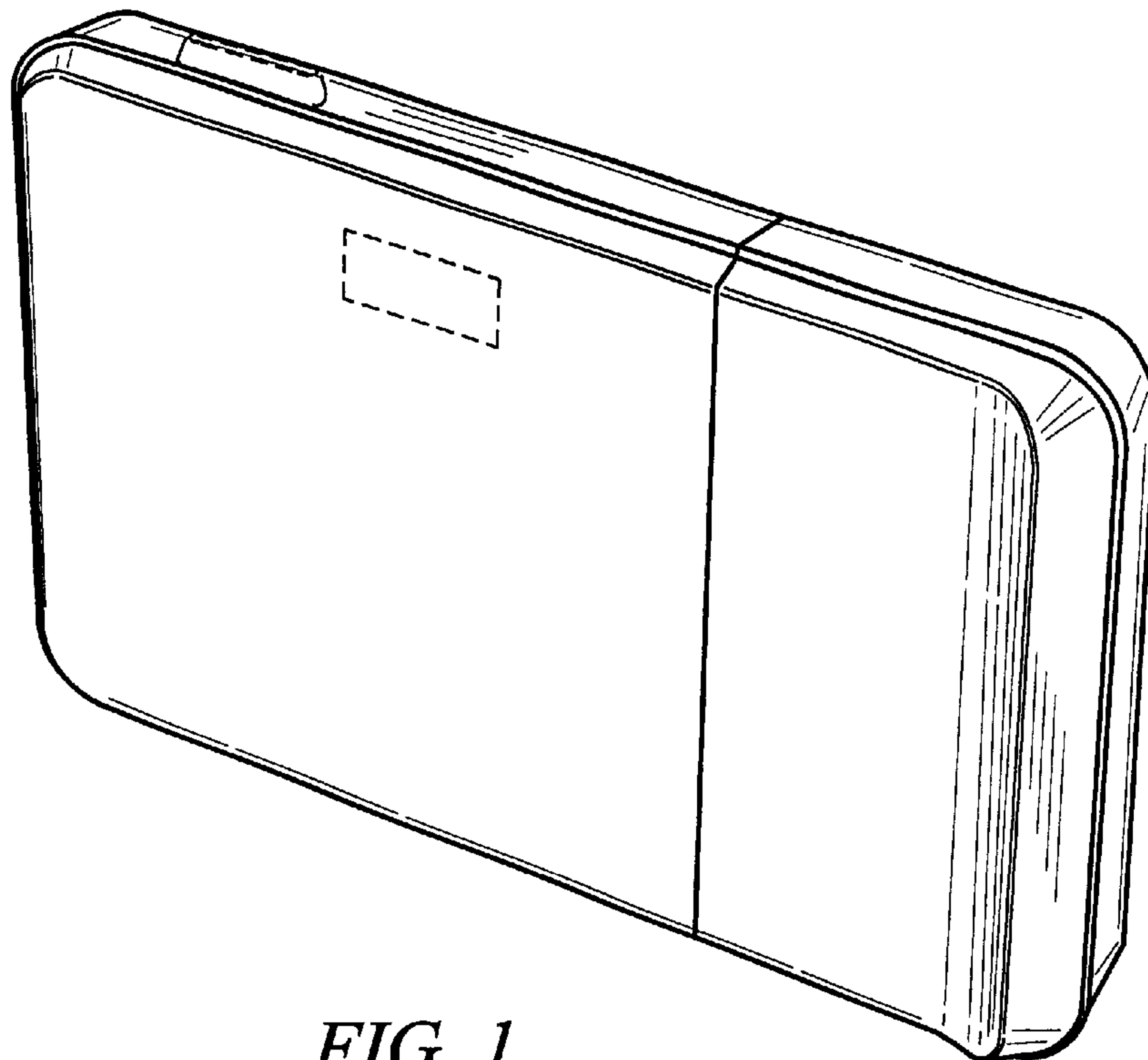


FIG. 1

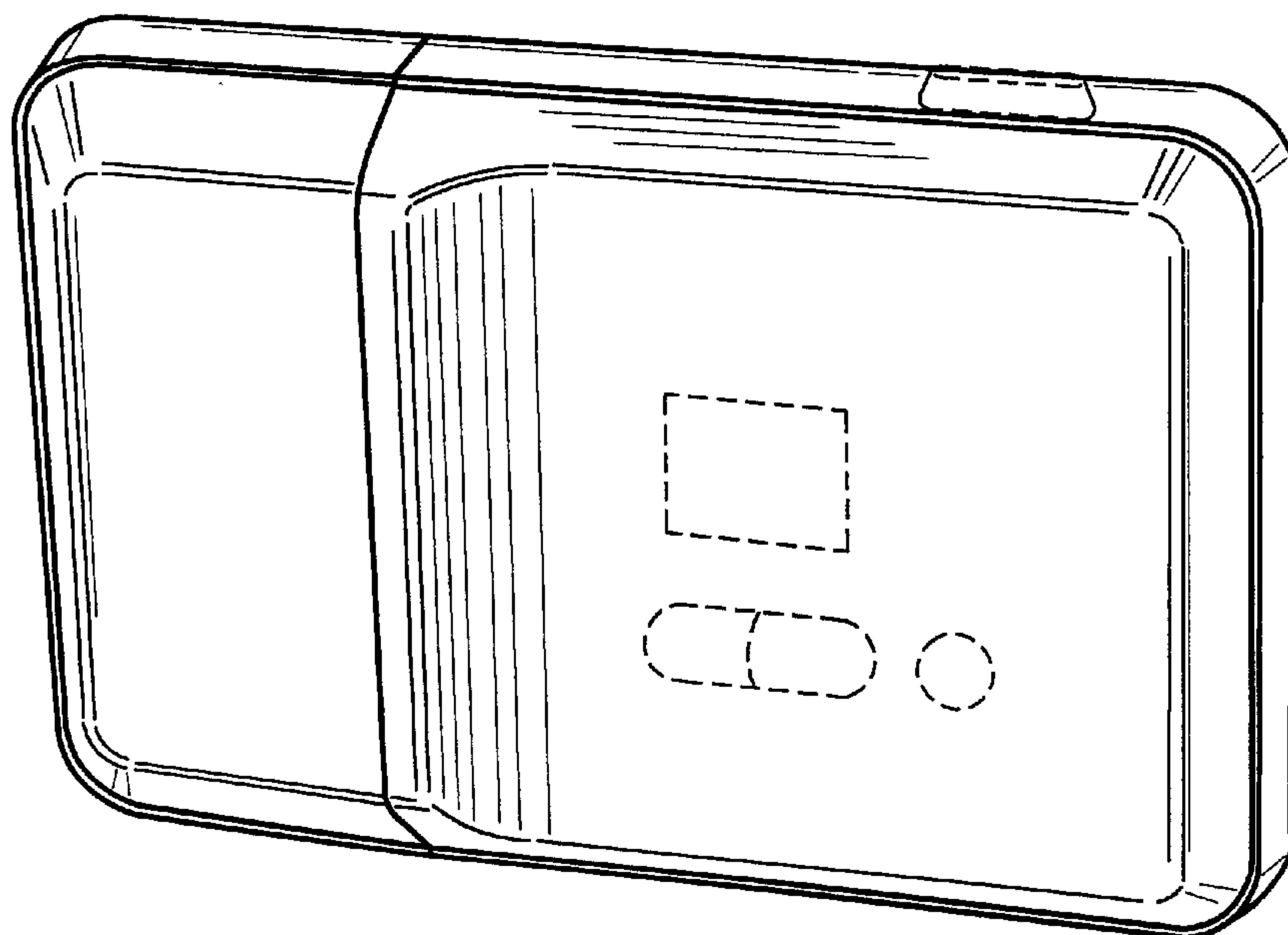


FIG. 2

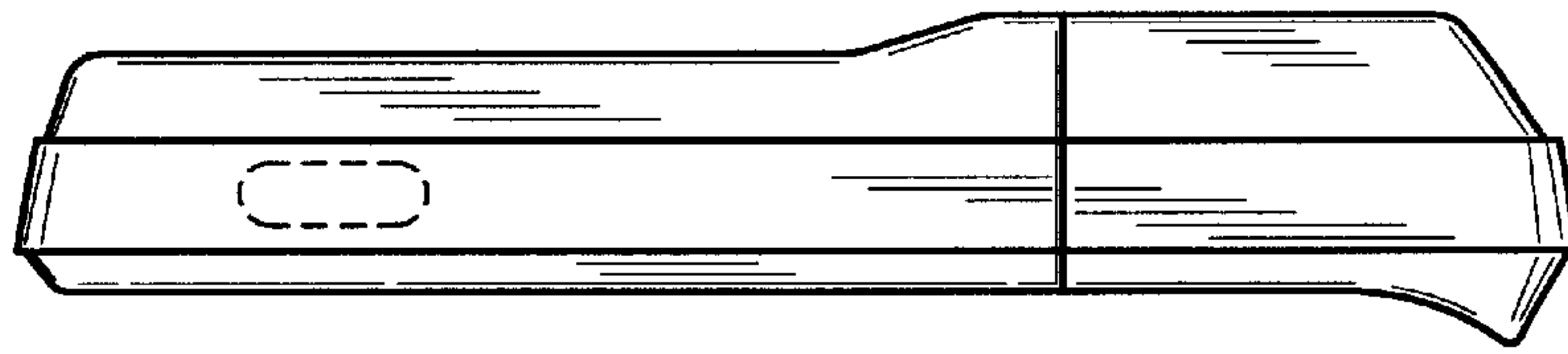


FIG. 4

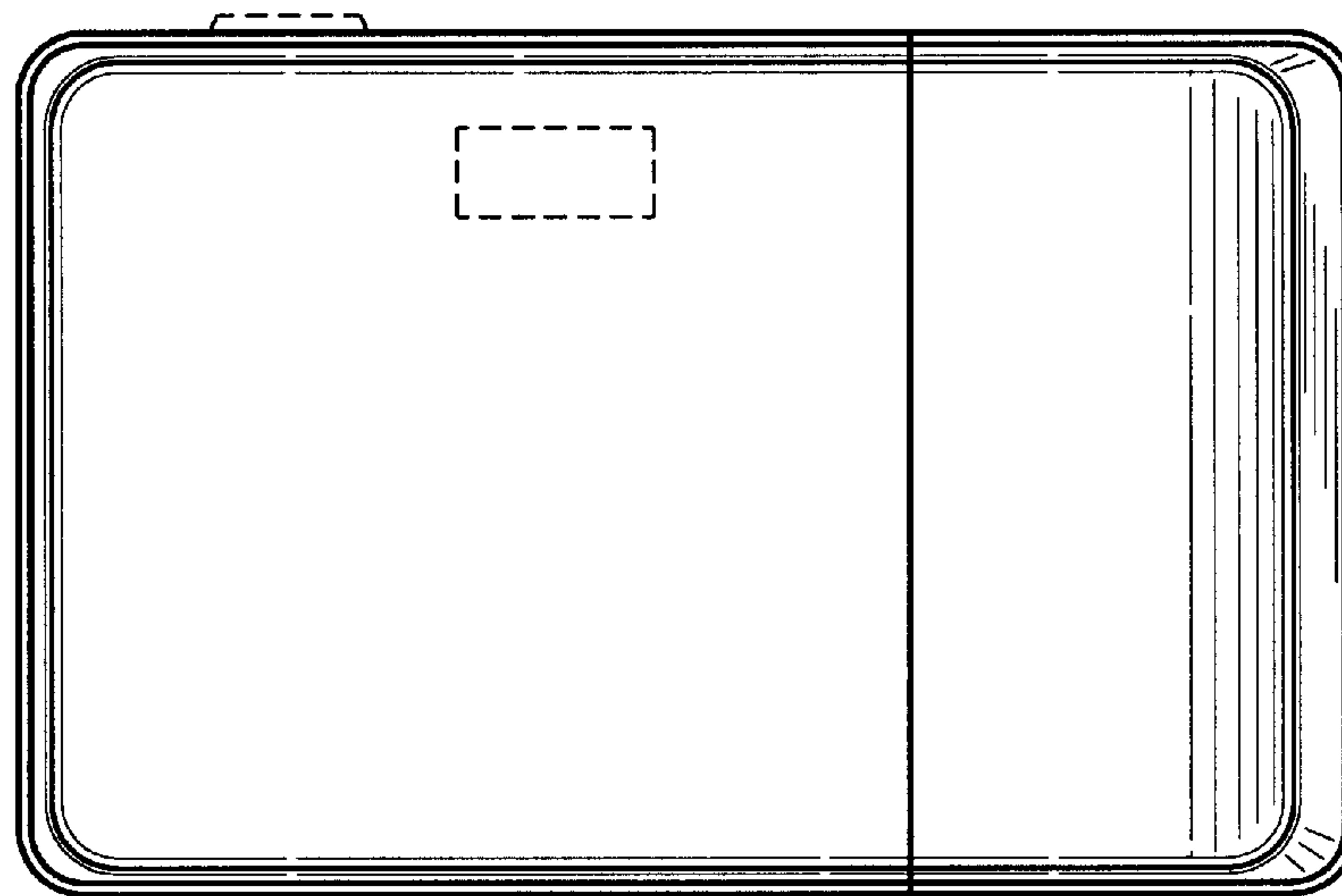


FIG. 3

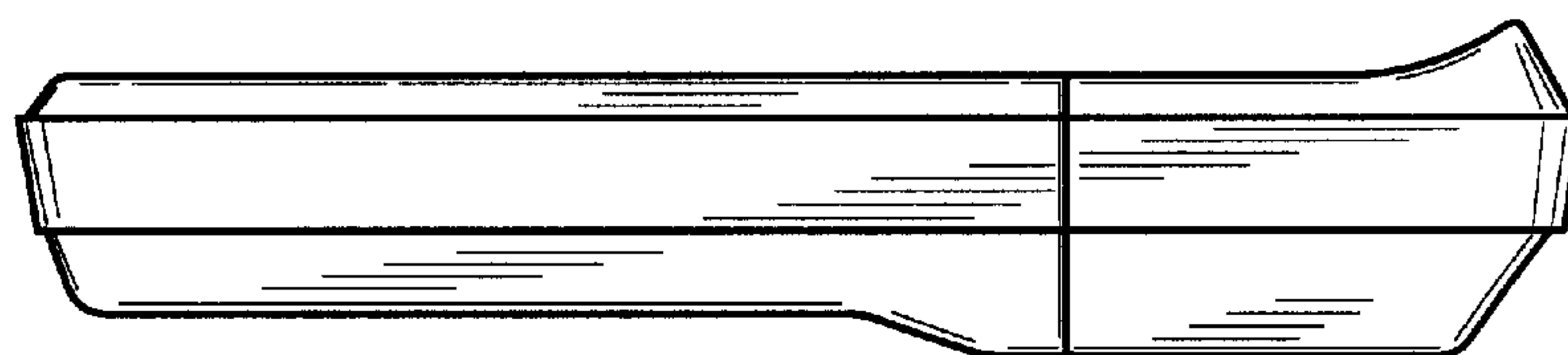


FIG. 5

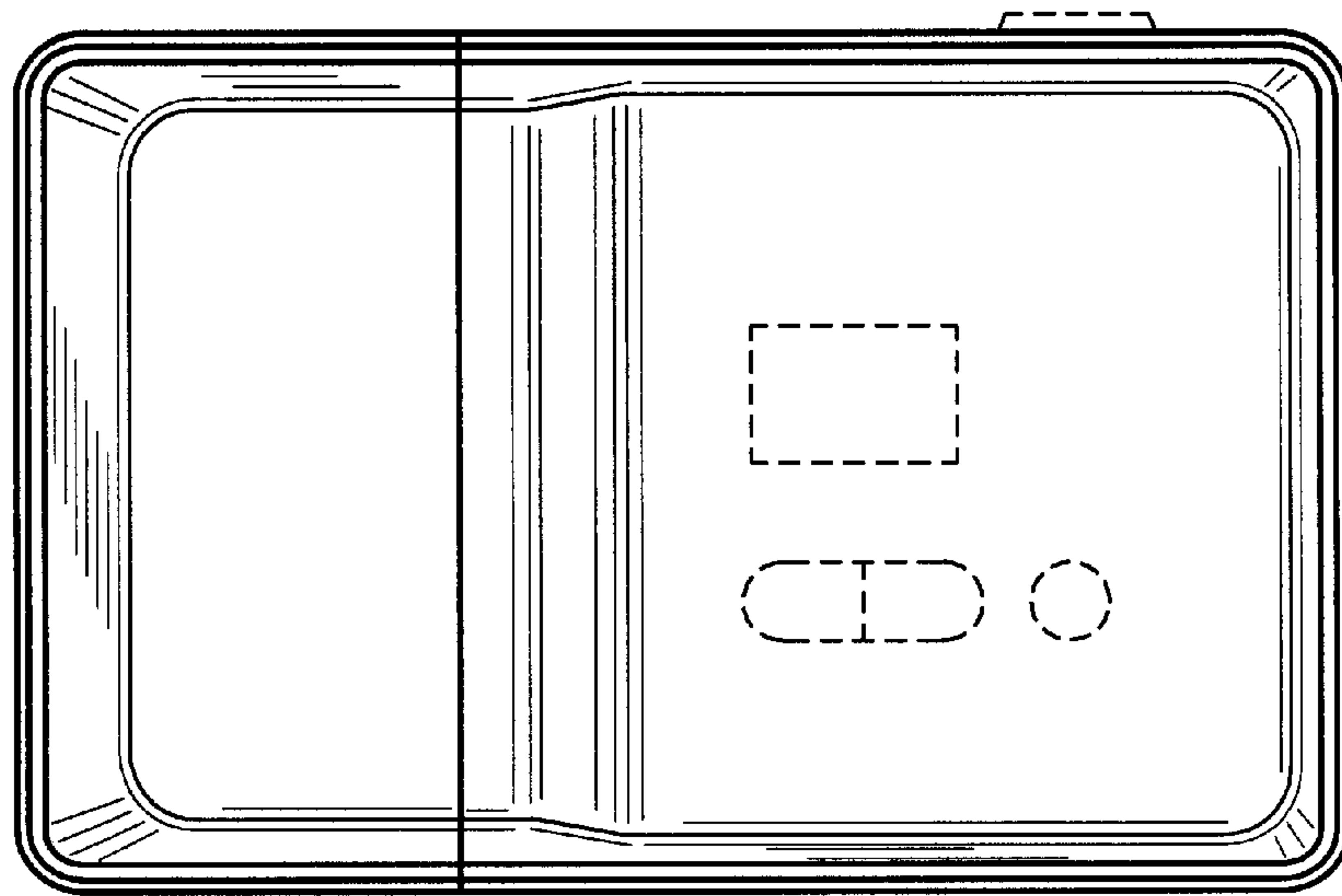


FIG. 6

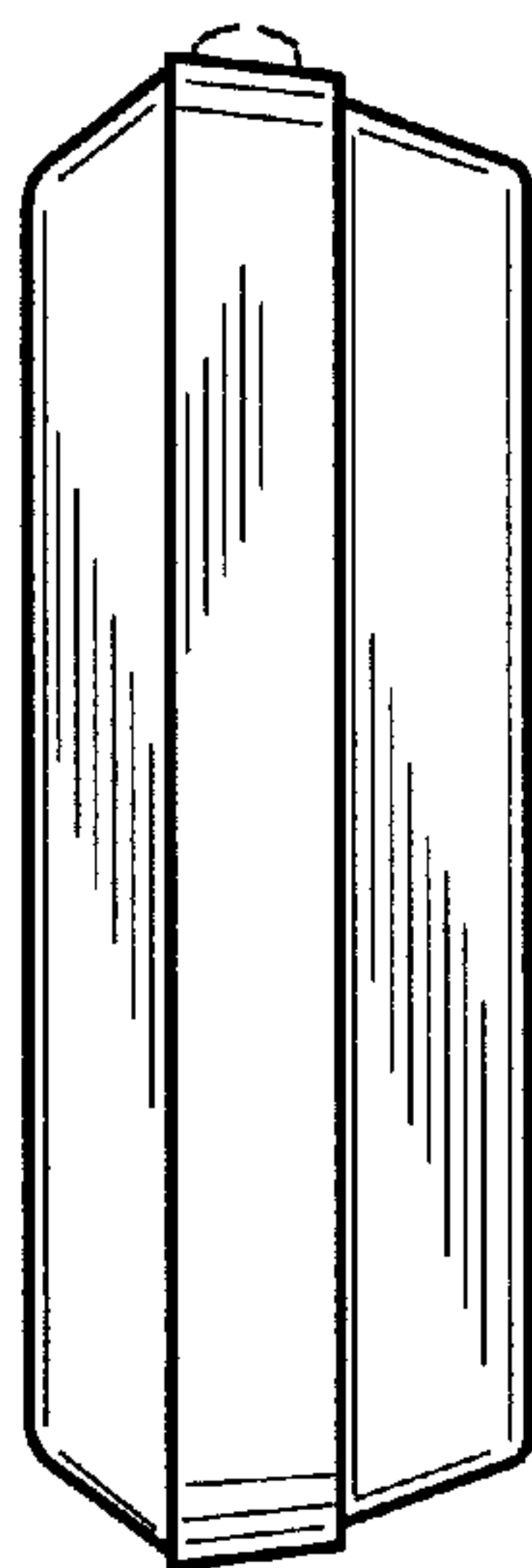


FIG. 7



FIG. 8

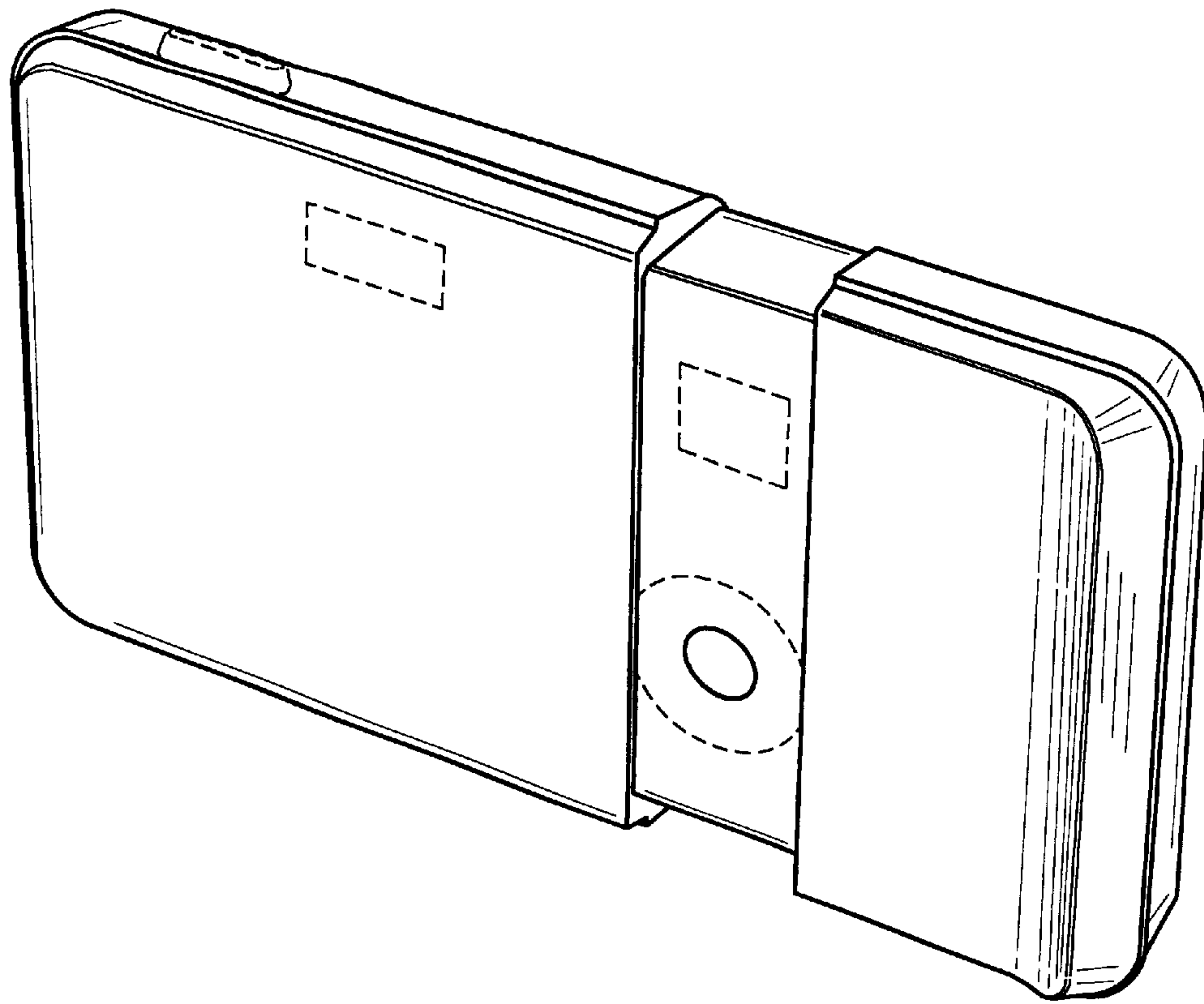


FIG. 9

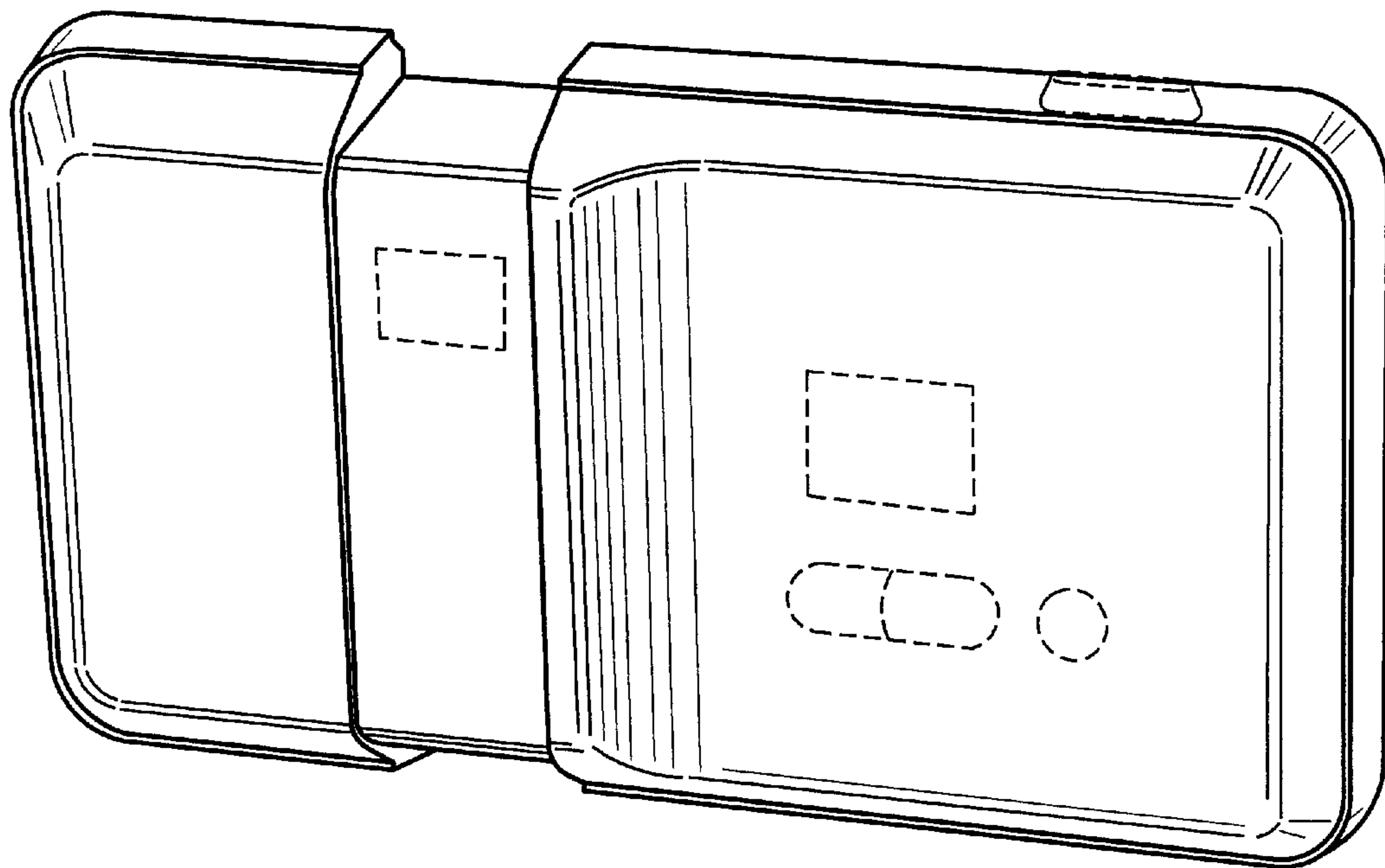


FIG. 10