



US00D500775S

(12) **United States Design Patent**
Iue

(10) **Patent No.:** **US D500,775 S**
(45) **Date of Patent:** **** Jan. 11, 2005**

(54) **DIGITAL CAMERA**

(75) Inventor: **Hiroshi Iue**, Tokyo (JP)

(73) Assignee: **Olympus Corporation**, Tokyo (JP)

(**) Term: **14 Years**

(21) Appl. No.: **29/195,136**

(22) Filed: **Dec. 4, 2003**

(30) **Foreign Application Priority Data**

Sep. 29, 2003 (JP) 2003-028343
Sep. 29, 2003 (JP) 2003-028344

(51) **LOC (7) Cl.** **16-01**

(52) **U.S. Cl.** **D16/202; D16/218**

(58) **Field of Search** **D16/200–205,**
D16/208, 218; 348/373–376; 358/906, 909.1;
396/535–541

(56) **References Cited**

U.S. PATENT DOCUMENTS

D482,054 S * 11/2003 Nasu D16/202
D485,288 S * 1/2004 Watarai D16/212
D491,970 S * 6/2004 Ikenaga D16/218
D494,612 S * 8/2004 Yang et al. D16/202
D495,351 S * 8/2004 Yi D16/202
2002/0081115 A1 * 6/2002 Suzuki et al. 396/429

* cited by examiner

Primary Examiner—Adir Aronovich

(74) *Attorney, Agent, or Firm—Hogan & Hartson LLP*

(57) **CLAIM**

The ornamental design for a digital camera, as shown and described.

DESCRIPTION

FIG. 1 is a perspective view of a digital camera, showing my new design;

FIG. 2 is a front elevational view thereof;

FIG. 3 is a top plan view thereof;

FIG. 4 is a bottom plan view thereof;

FIG. 5 is a right side elevational view thereof;

FIG. 6 is a left side elevational view thereof;

FIG. 7 is a rear elevational view thereof;

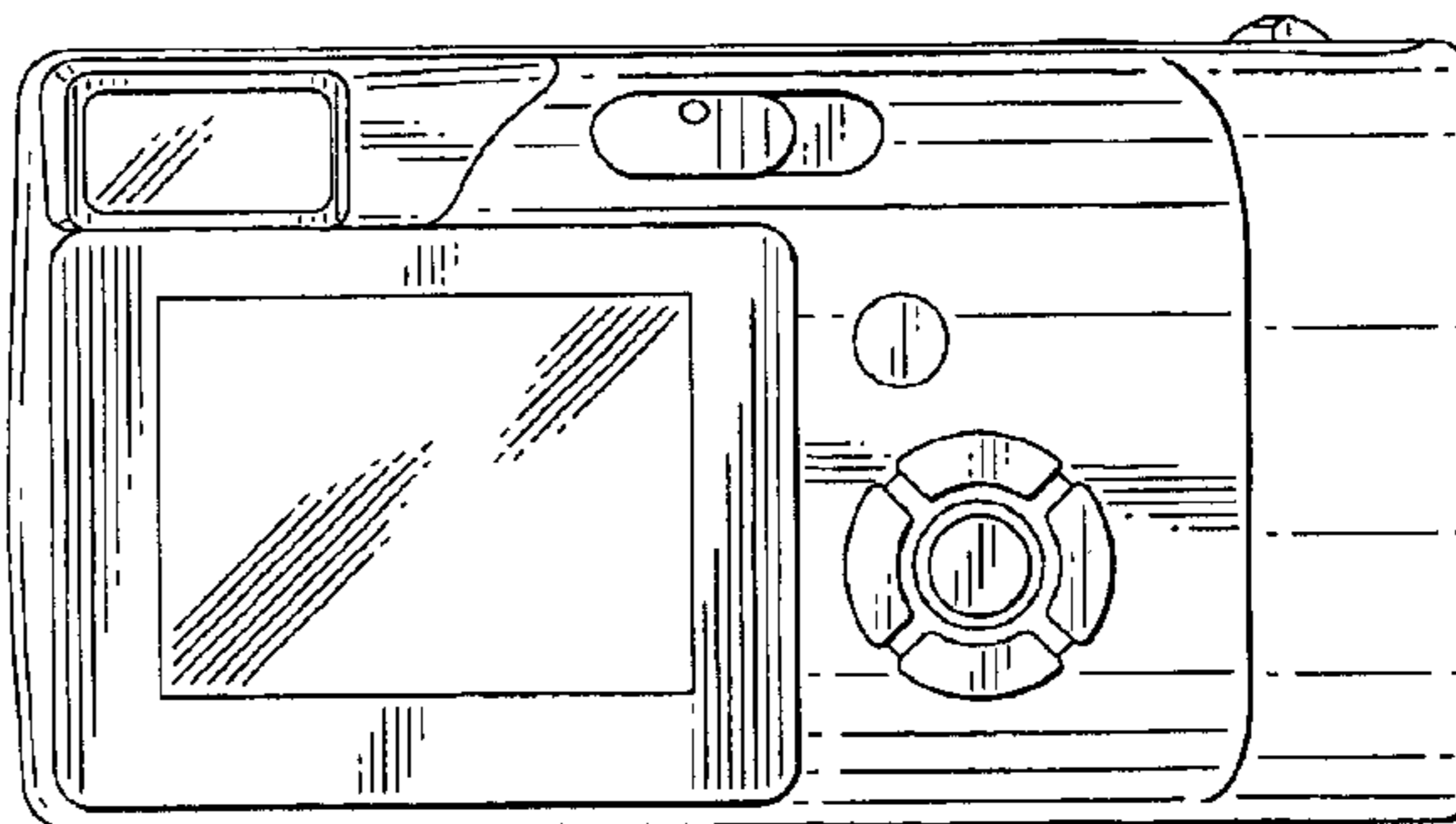
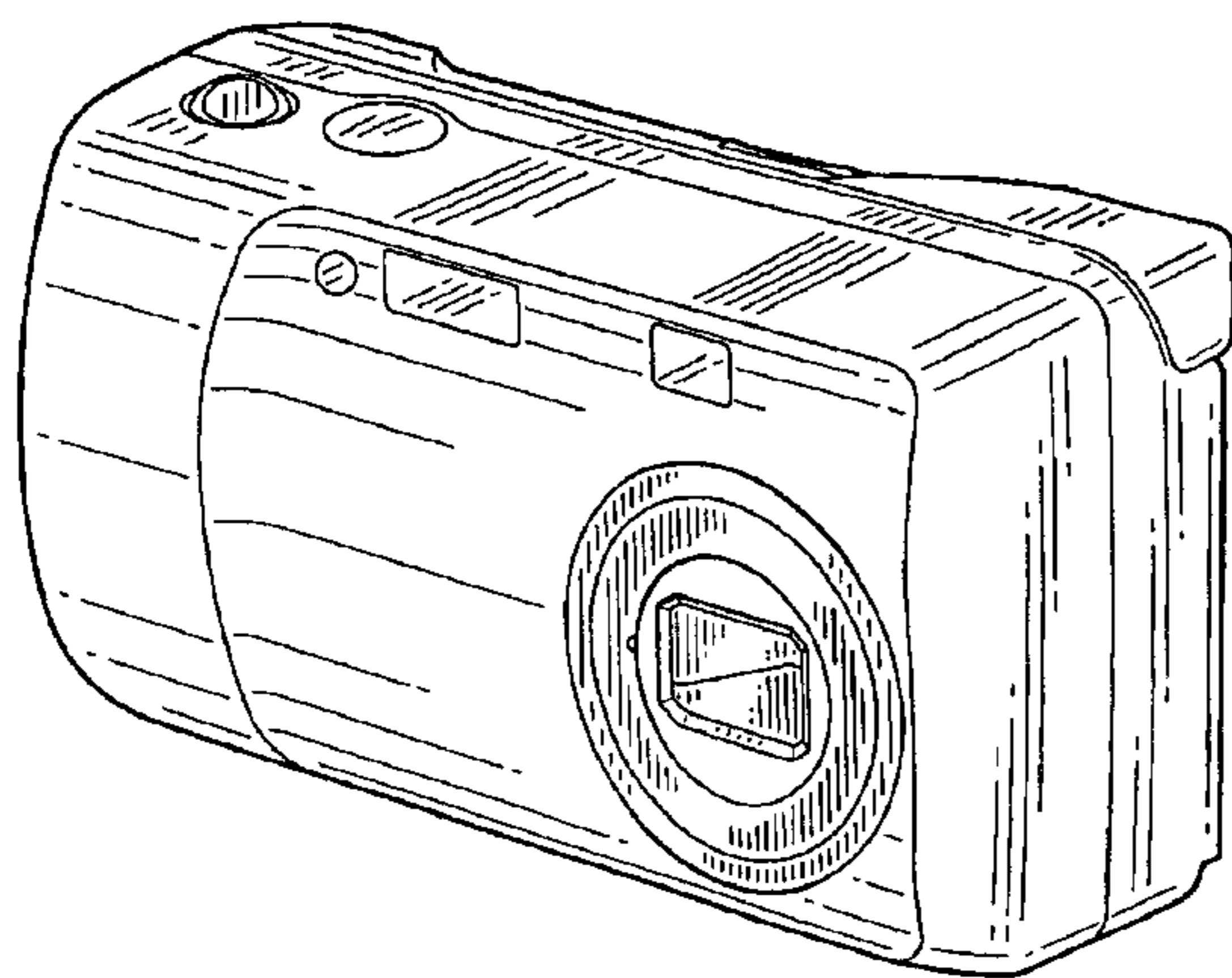
FIG. 8 is a top plan view thereof with a lens barrel in an extended state;

FIG. 9 is a front elevational view thereof with the lens barrel in an extended state; and,

FIG. 10 is a right side elevational view thereof with the lens barrel in an extended state.

The broken lines are for illustrative purposes only and form no part of the claimed design.

1 Claim, 5 Drawing Sheets



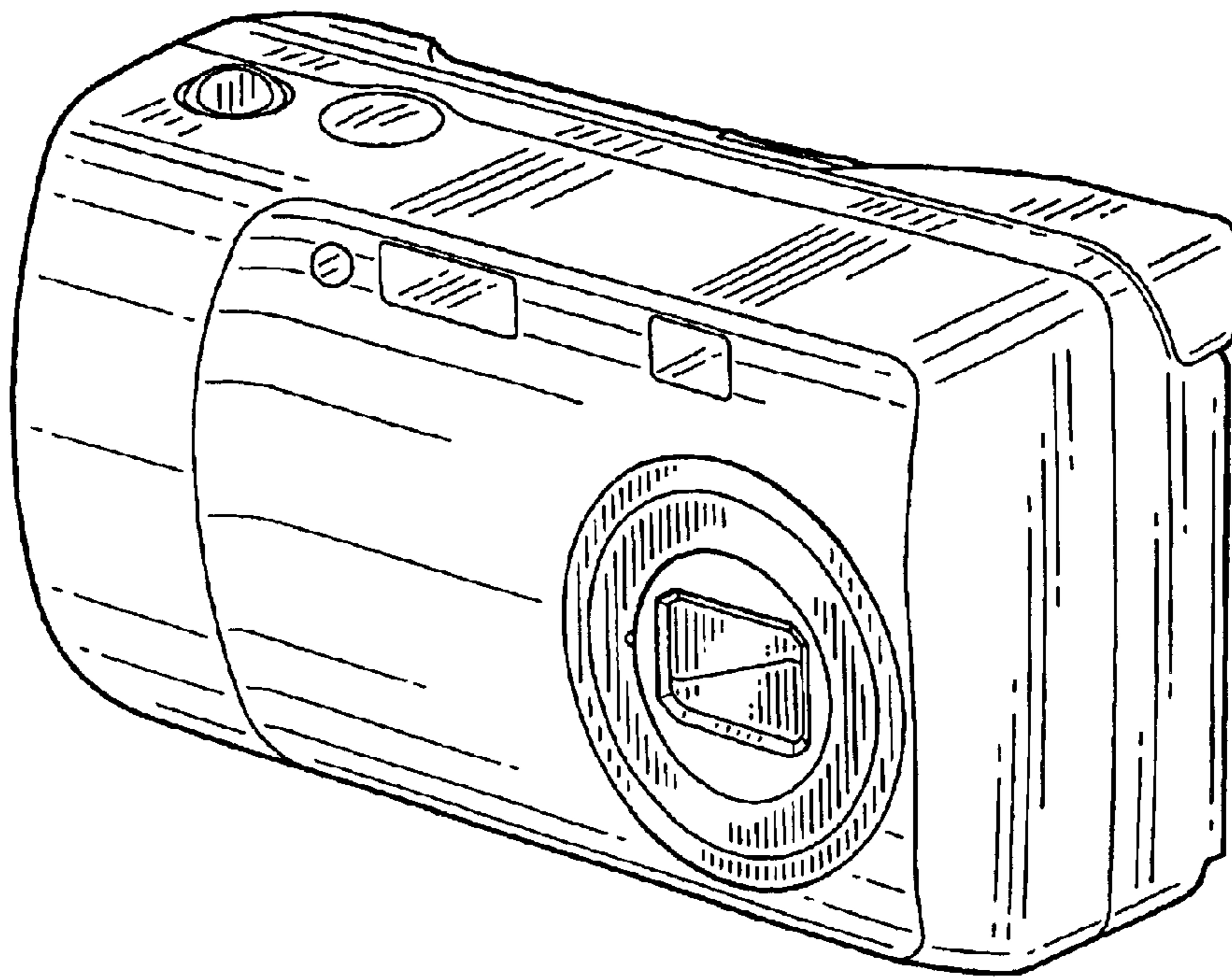


FIG. 1

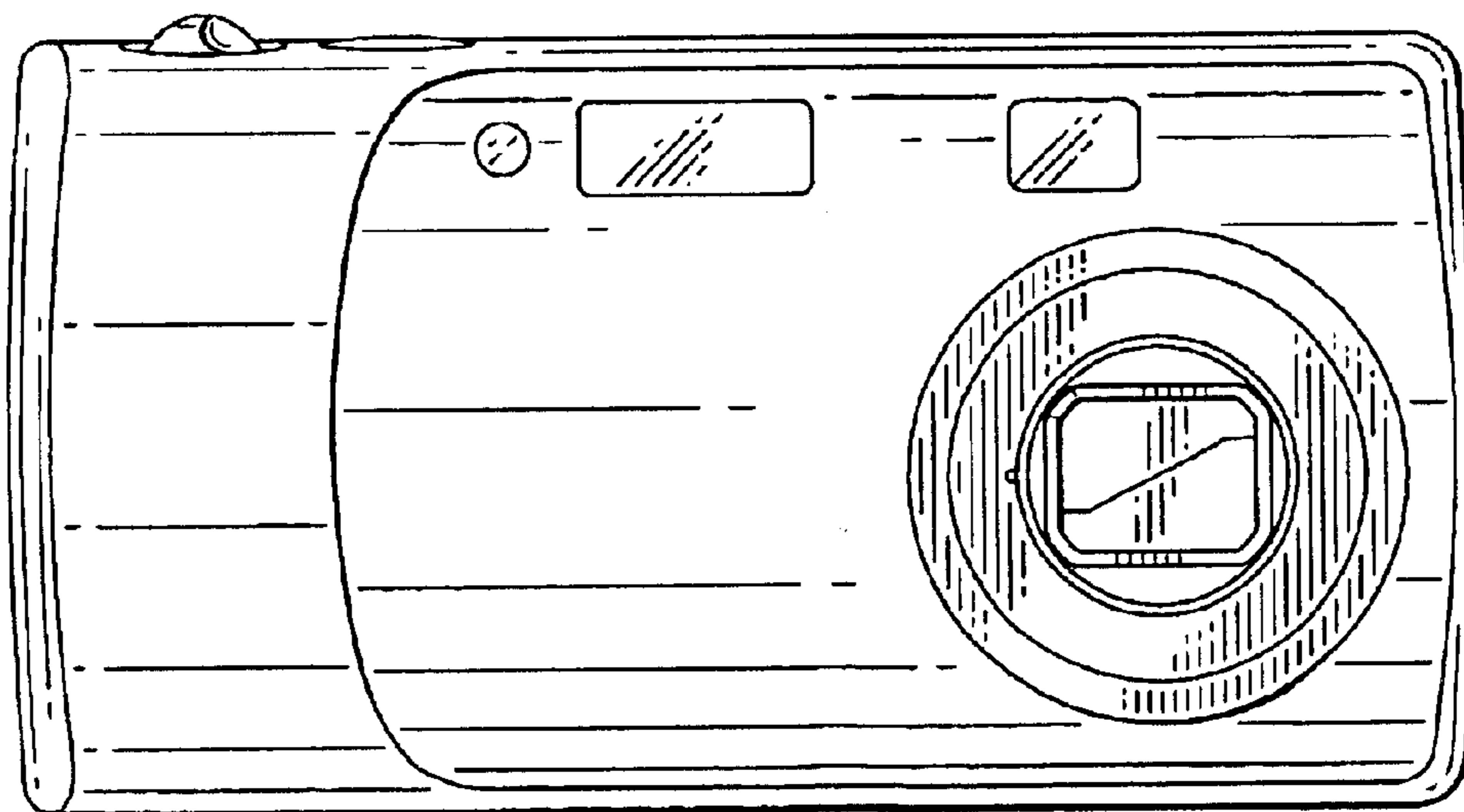


FIG. 2

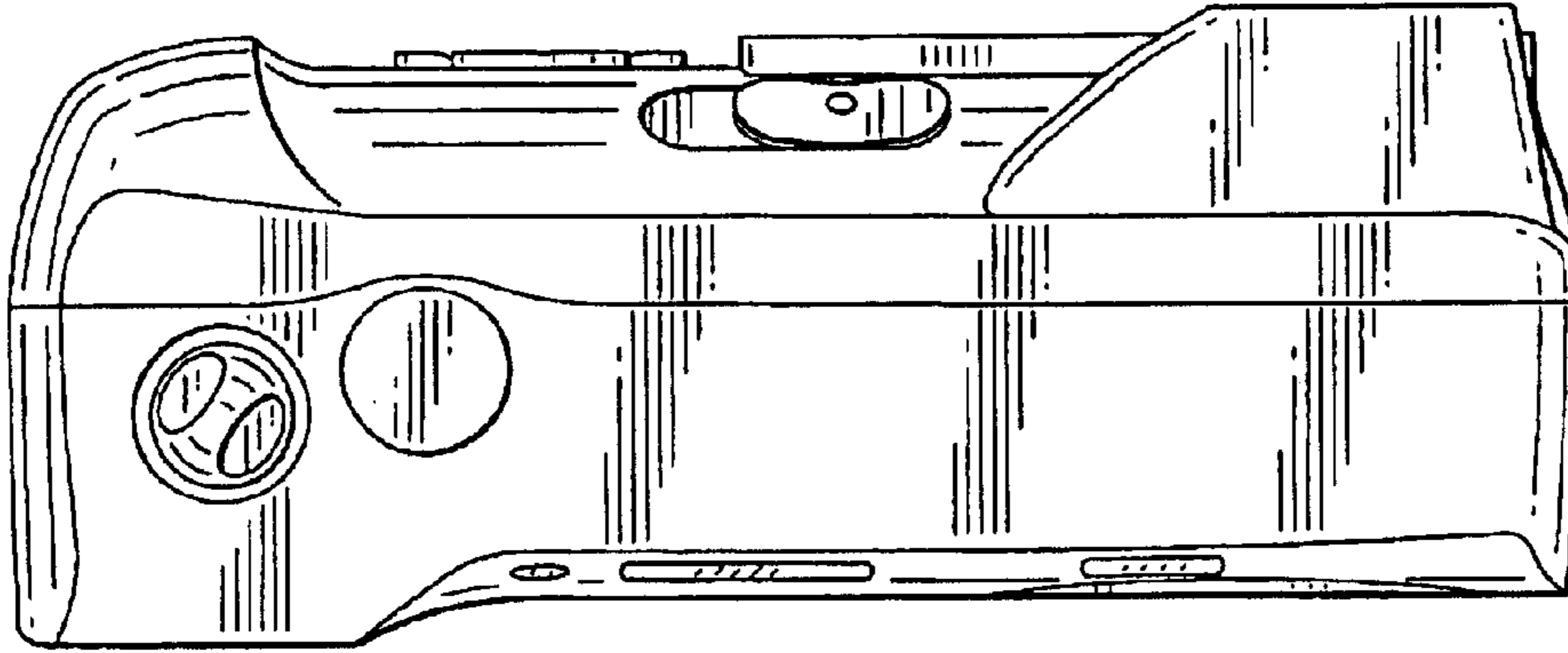


FIG. 3

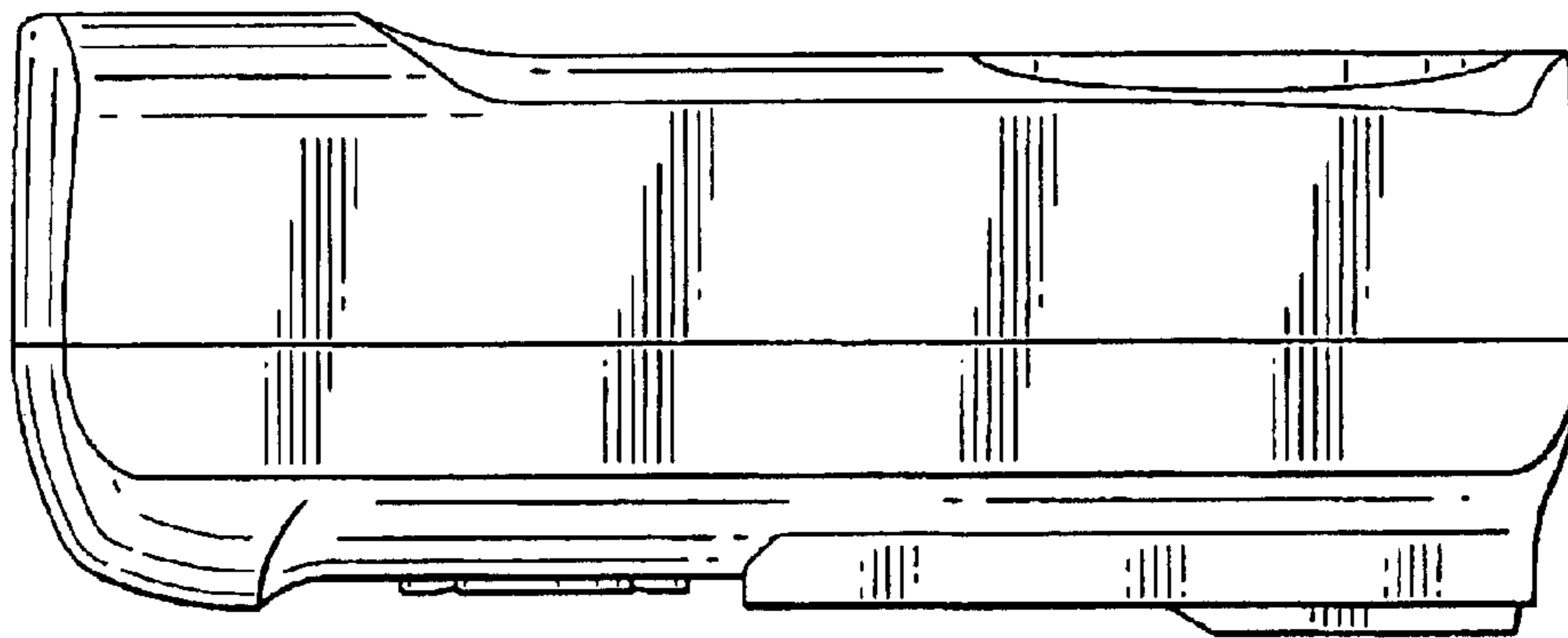


FIG. 4

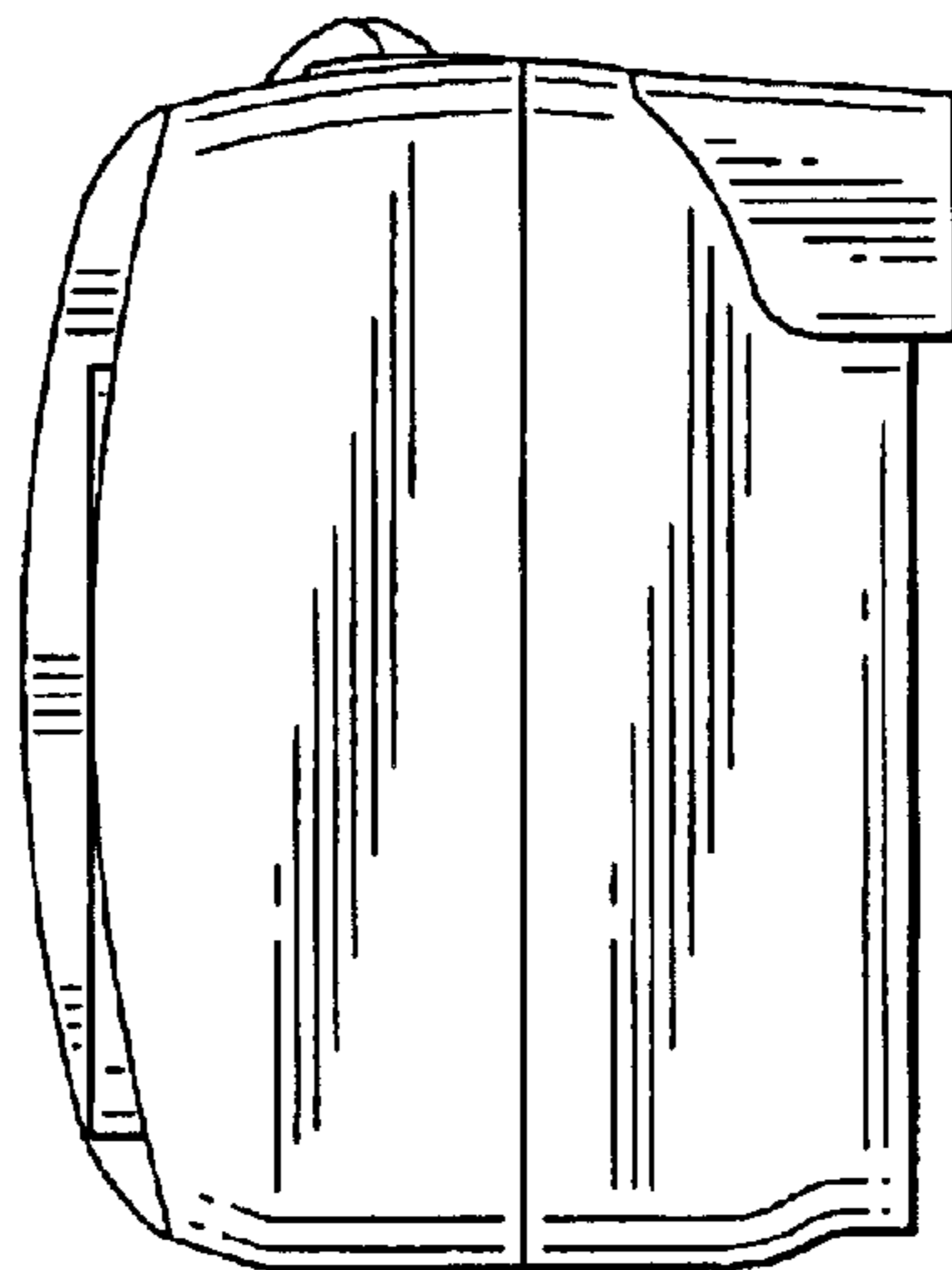


FIG. 5

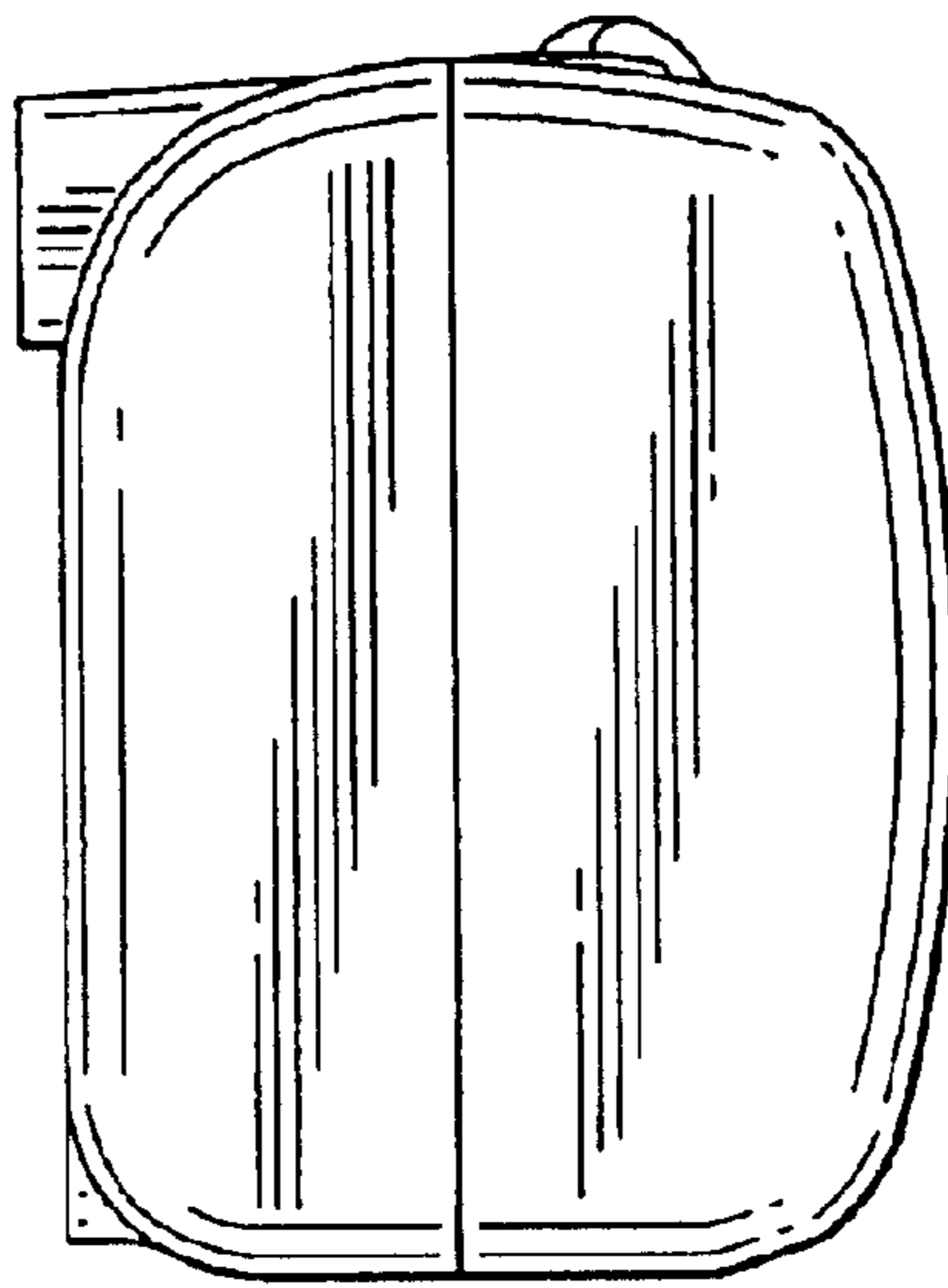


FIG. 6

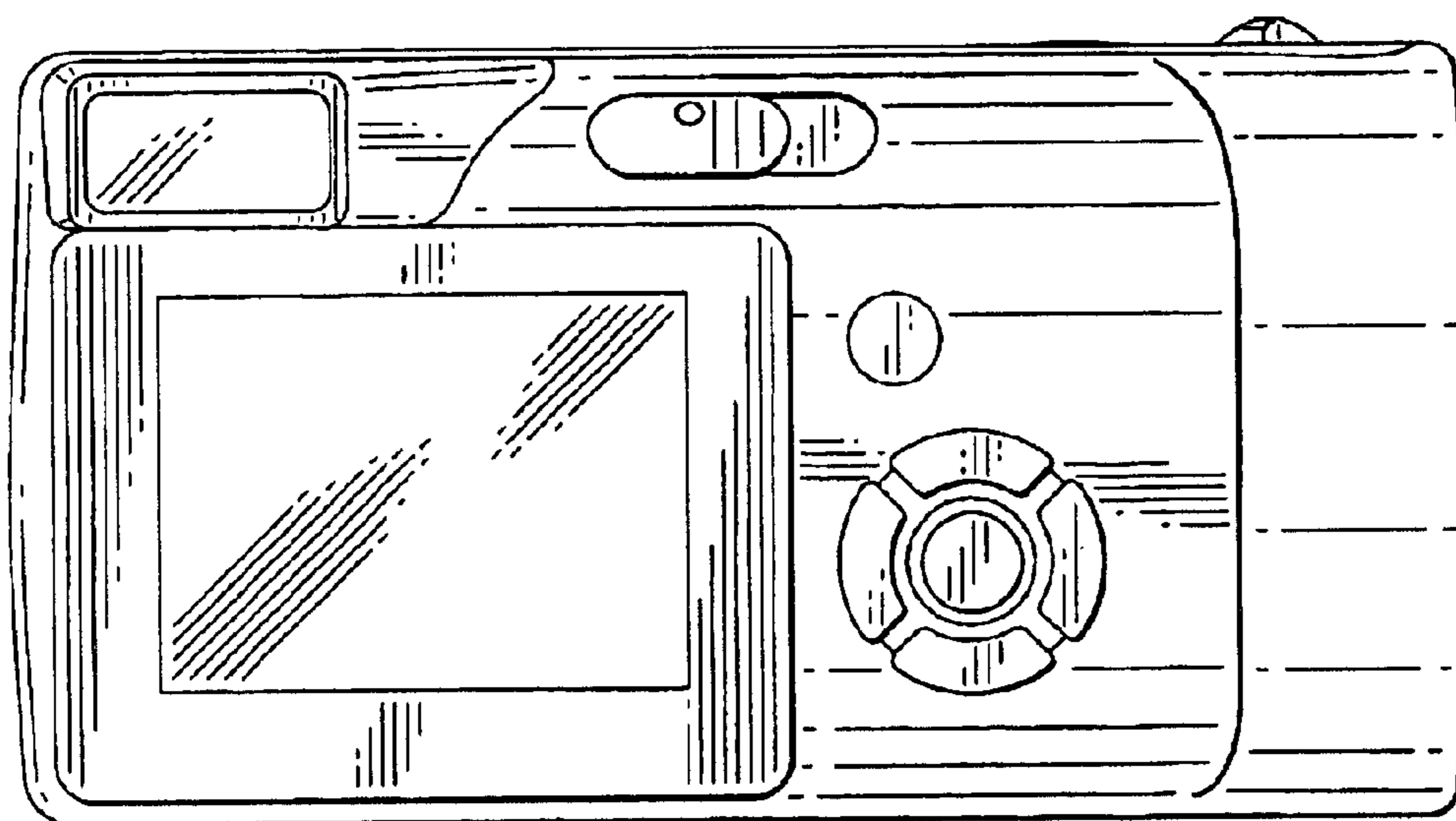


FIG. 7

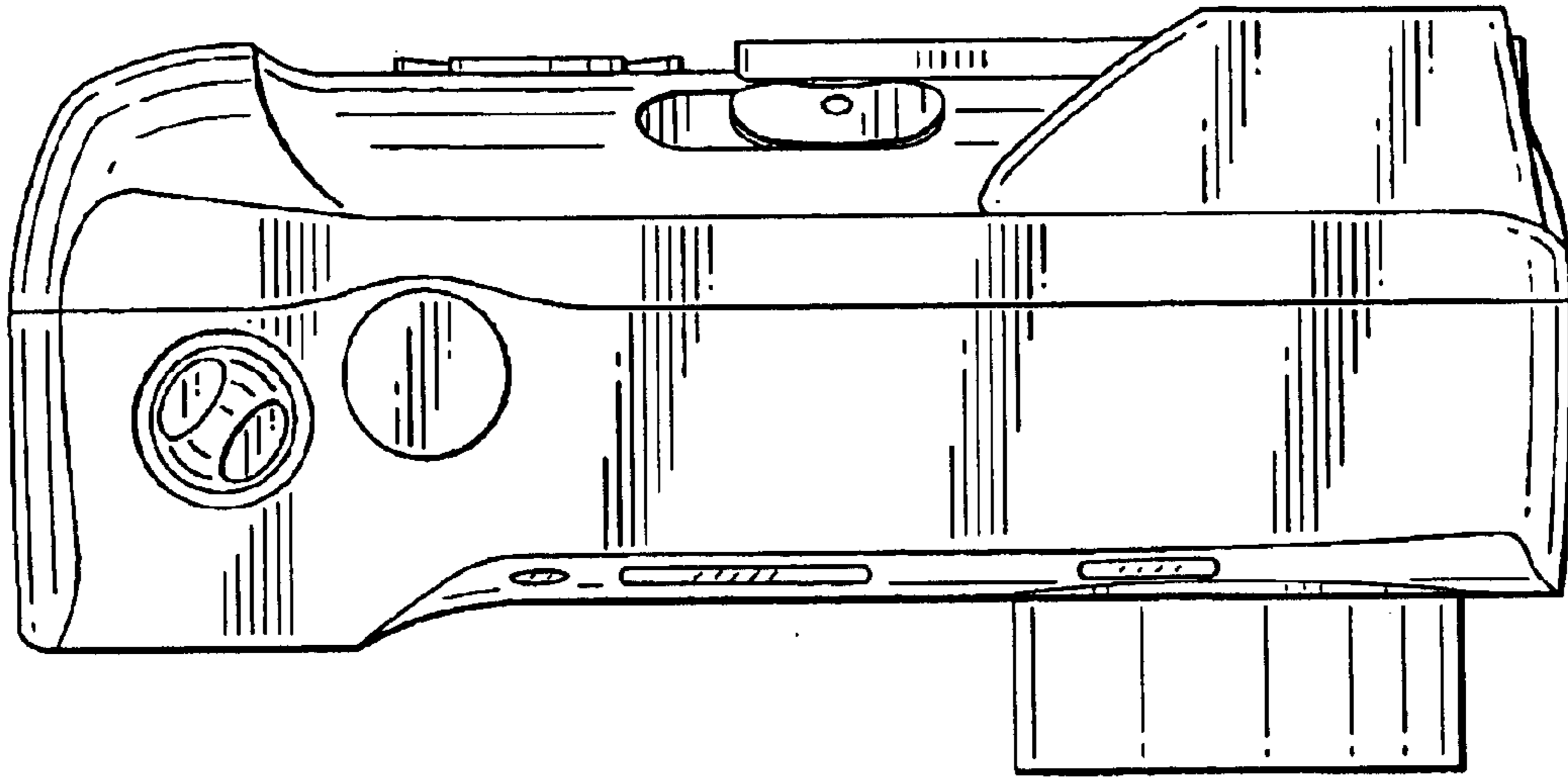


FIG. 8

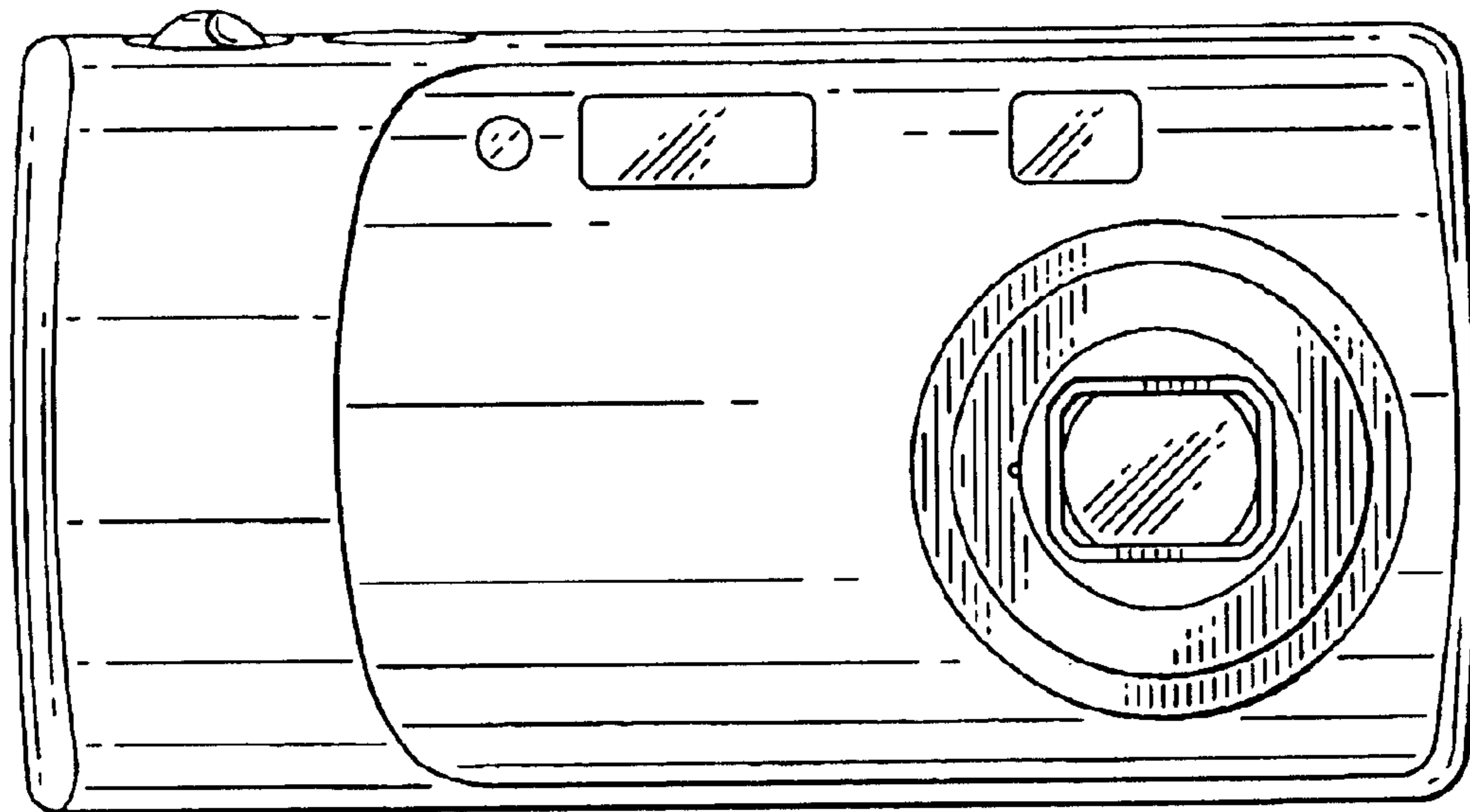


FIG. 9

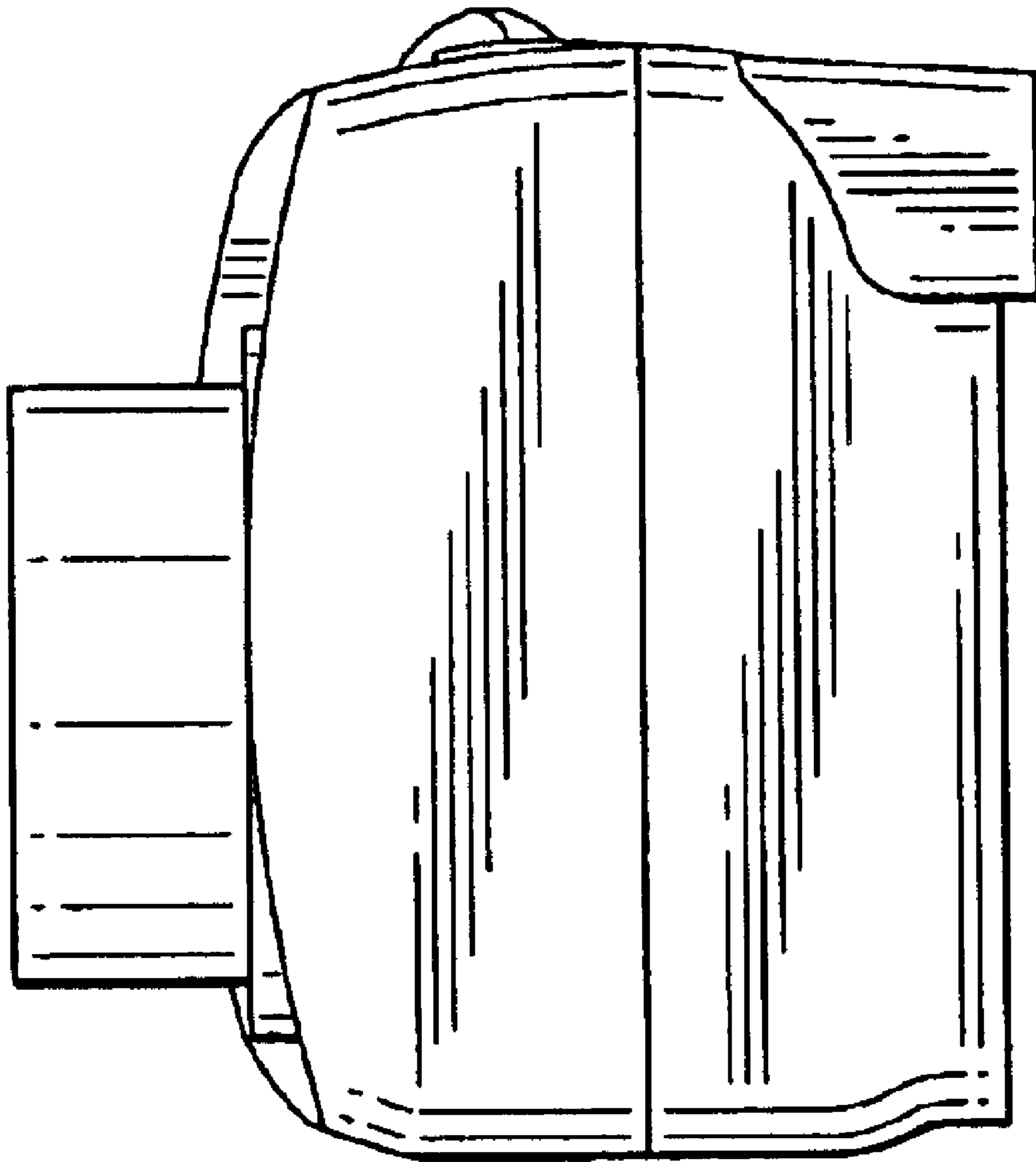


FIG. 10