

US00D500774S

(12) **United States Design Patent**
Yuan

(10) **Patent No.:** **US D500,774 S**
(45) **Date of Patent:** **** Jan. 11, 2005**

(54) **DIGITAL CAMERA**

(76) **Inventor:** **Victor Yuan**, 135 E. Olive Ave.,
Monrovia, CA (US) 91016

(**) **Term:** **14 Years**

(21) **Appl. No.:** **29/188,953**

(22) **Filed:** **Aug. 28, 2003**

(51) **LOC (7) Cl.** **16-01**

(52) **U.S. Cl.** **D16/202**

(58) **Field of Search** **D16/200-204,**
D16/208, 212, 218; 348/373-376; 358/909.1;
396/349, 448, 535-541

(56) **References Cited**

U.S. PATENT DOCUMENTS

D283,428 S	*	4/1986	Iguchi	D16/212
D413,613 S	*	9/1999	Katayama	D16/202
6,404,981 B1	*	6/2002	Kumagai et al.	348/373
6,434,337 B1	*	8/2002	Misawa	358/909.1
D479,547 S	*	9/2003	Nagayama	D16/202

D484,902 S * 1/2004 Baba D16/202

* cited by examiner

Primary Examiner—Adir Aronovich

(74) *Attorney, Agent, or Firm*—Boniard I. Brown

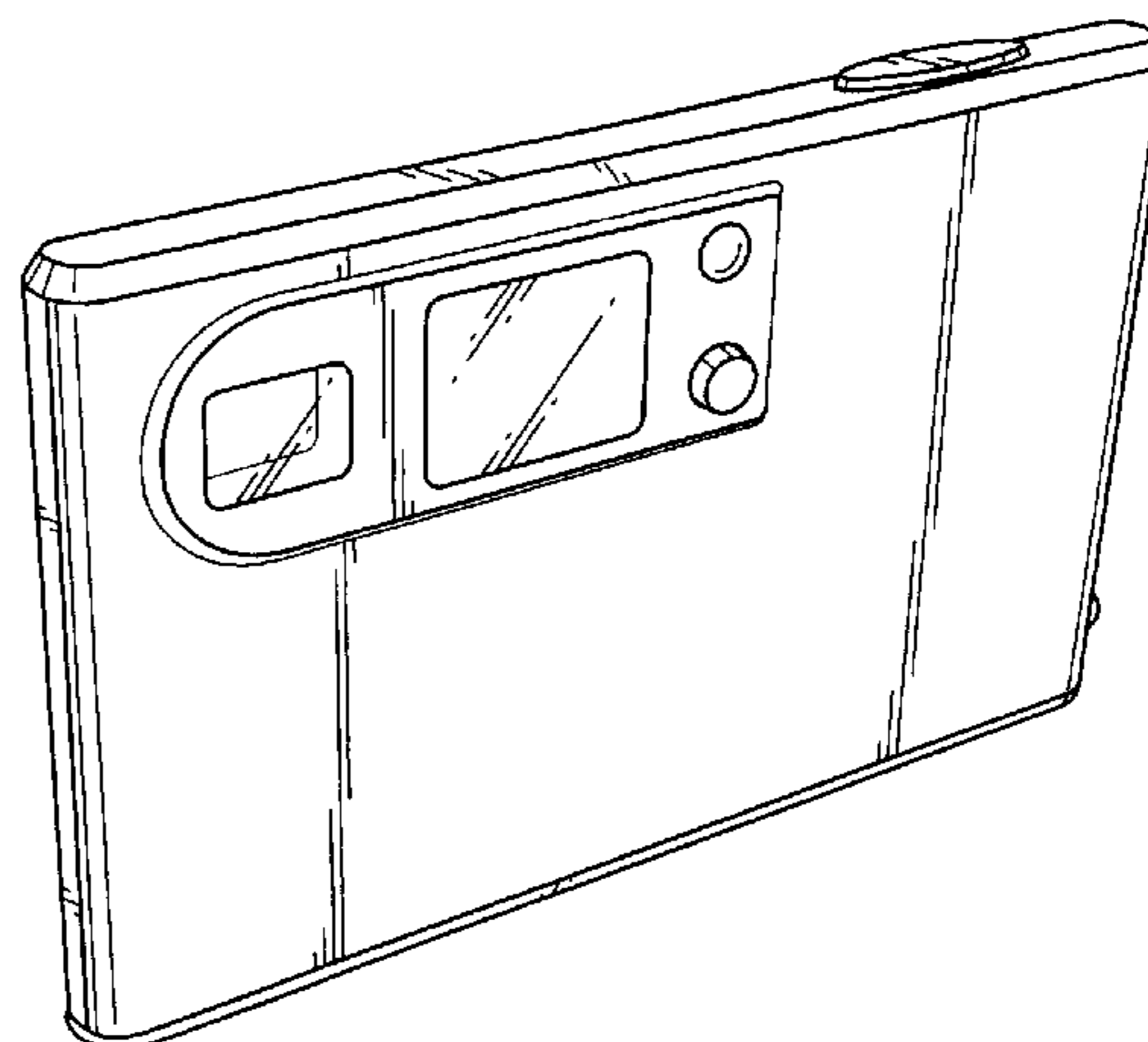
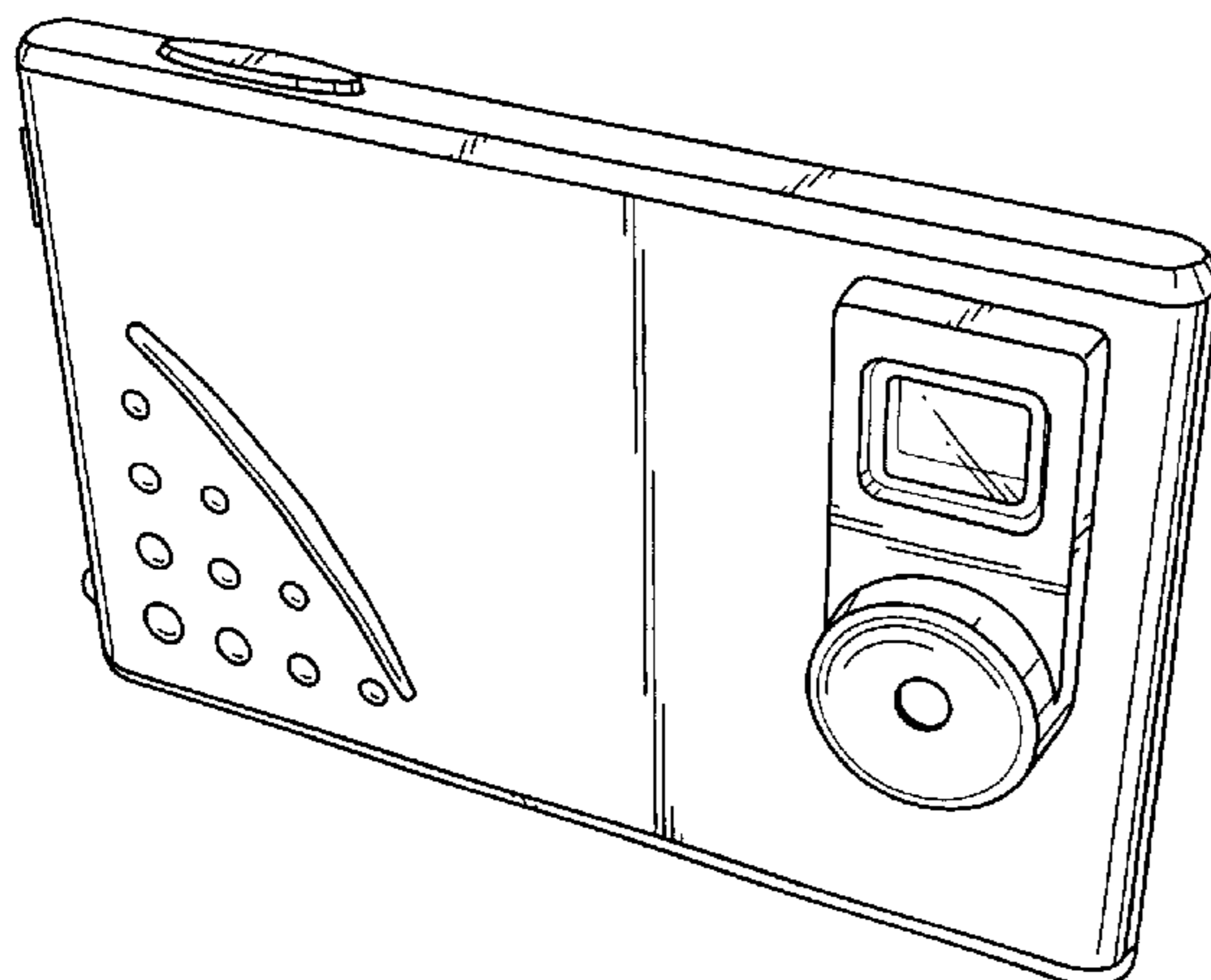
(57) **CLAIM**

The ornamental design for a digital camera, as shown and described.

DESCRIPTION

FIG. 1 is a front perspective view of a digital camera, showing my new design;
FIG. 2 is a rear perspective view thereof;
FIG. 3 is a front elevational view thereof;
FIG. 4 is a rear elevational view thereof;
FIG. 5 is a side elevational view thereof;
FIG. 6 is a side elevational view opposite that shown in FIG. 5;
FIG. 7 is a top view thereof; and,
FIG. 8 is a bottom view thereof.

1 Claim, 2 Drawing Sheets



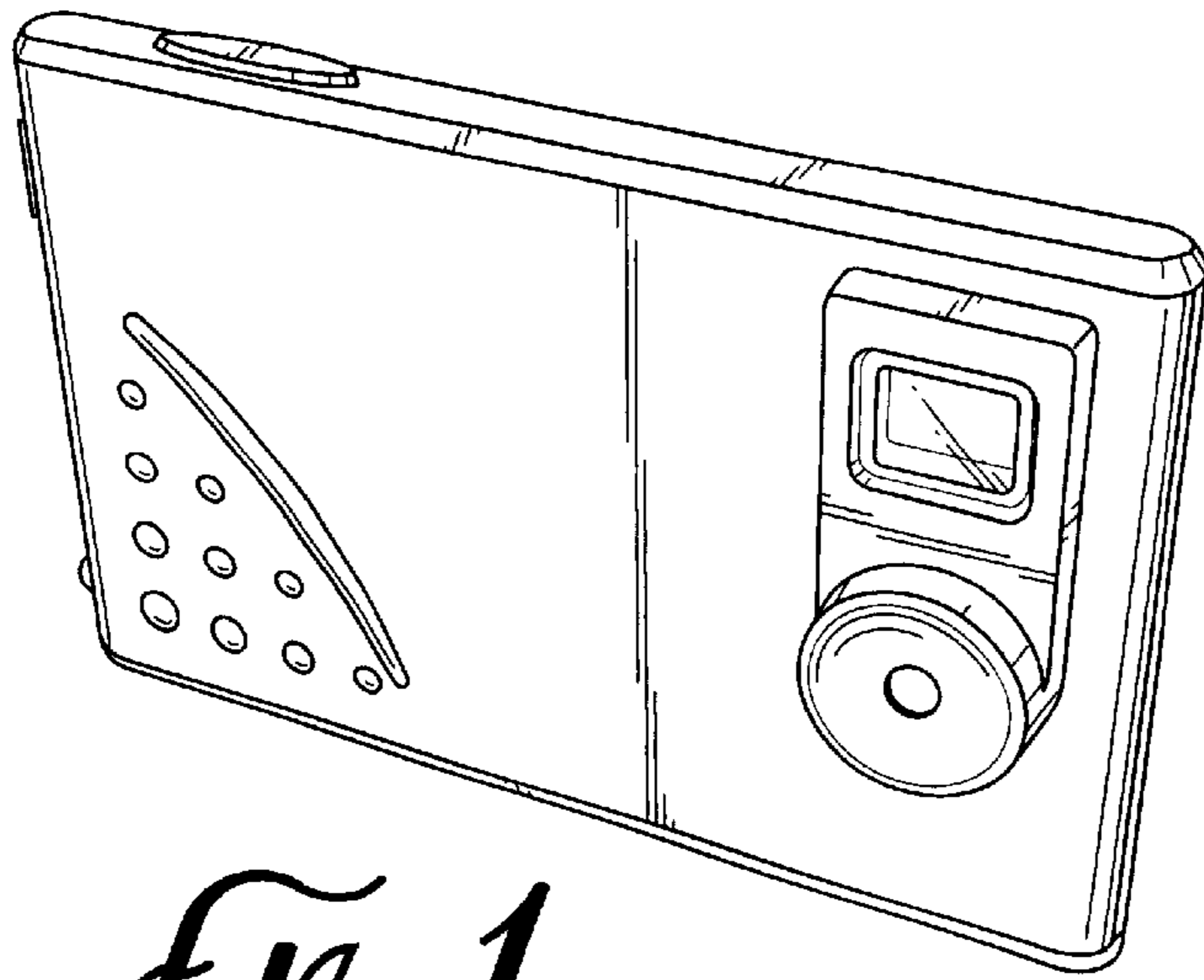


FIG. 1

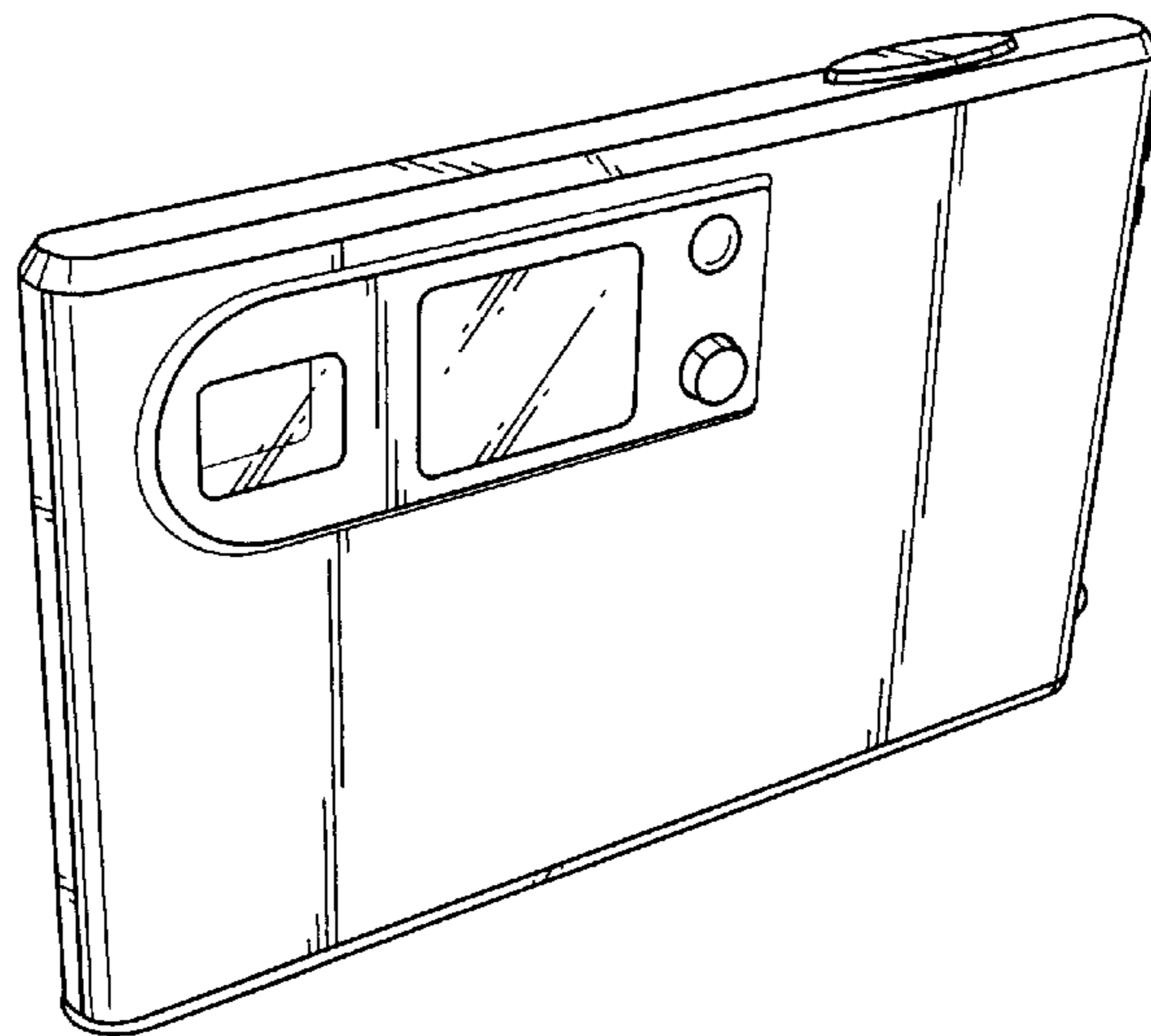
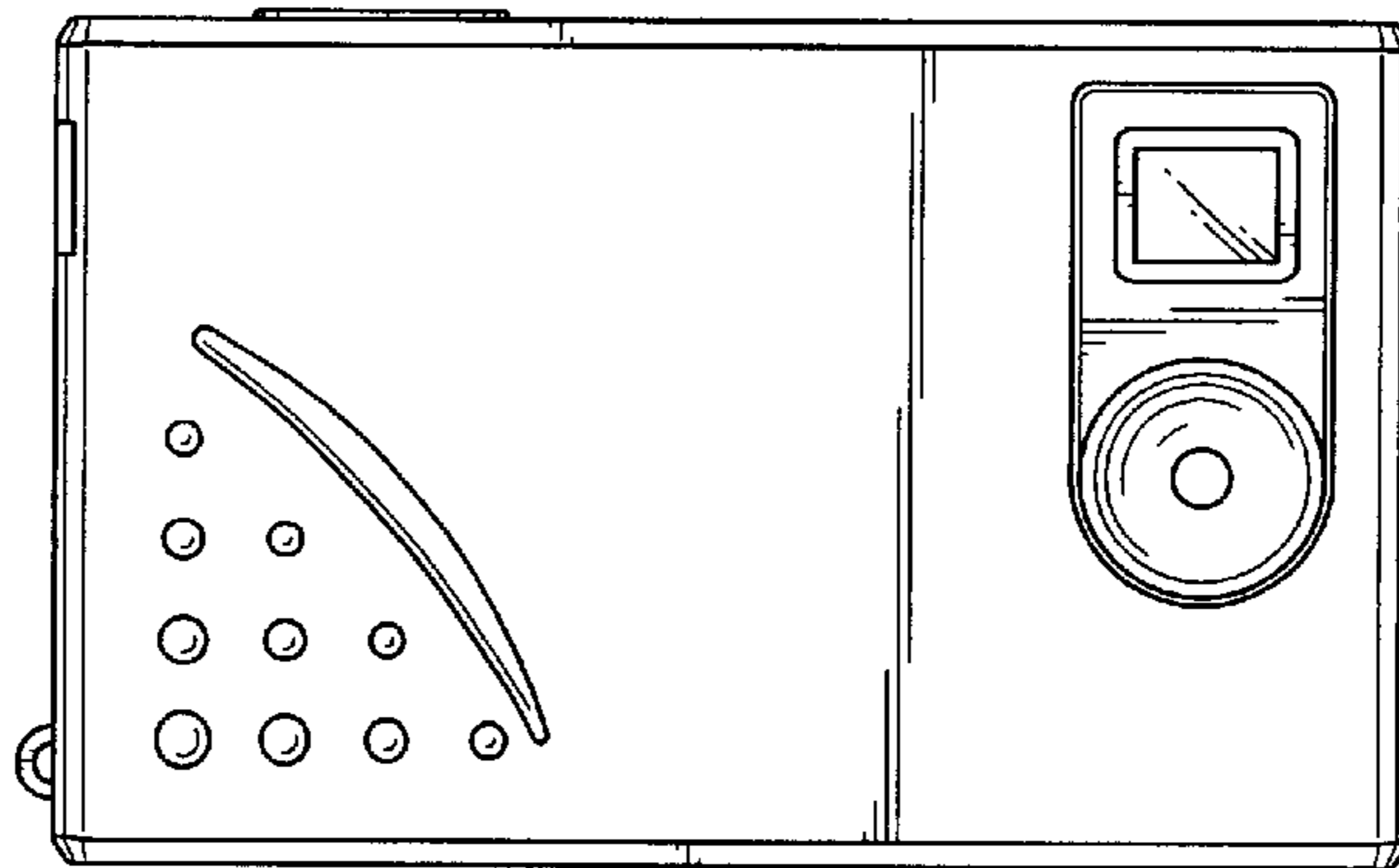


FIG. 2

FIG. 3



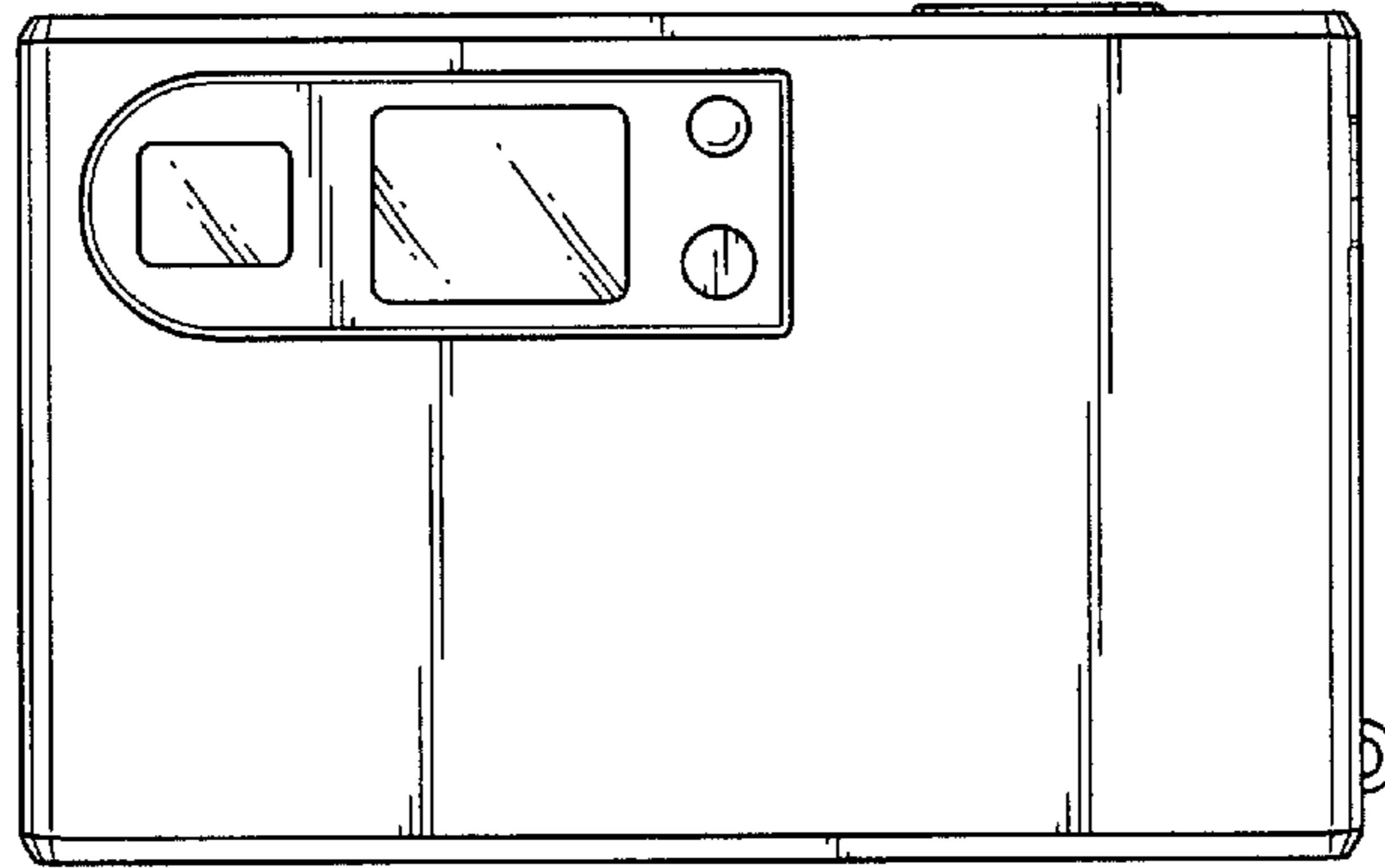


FIG. 4

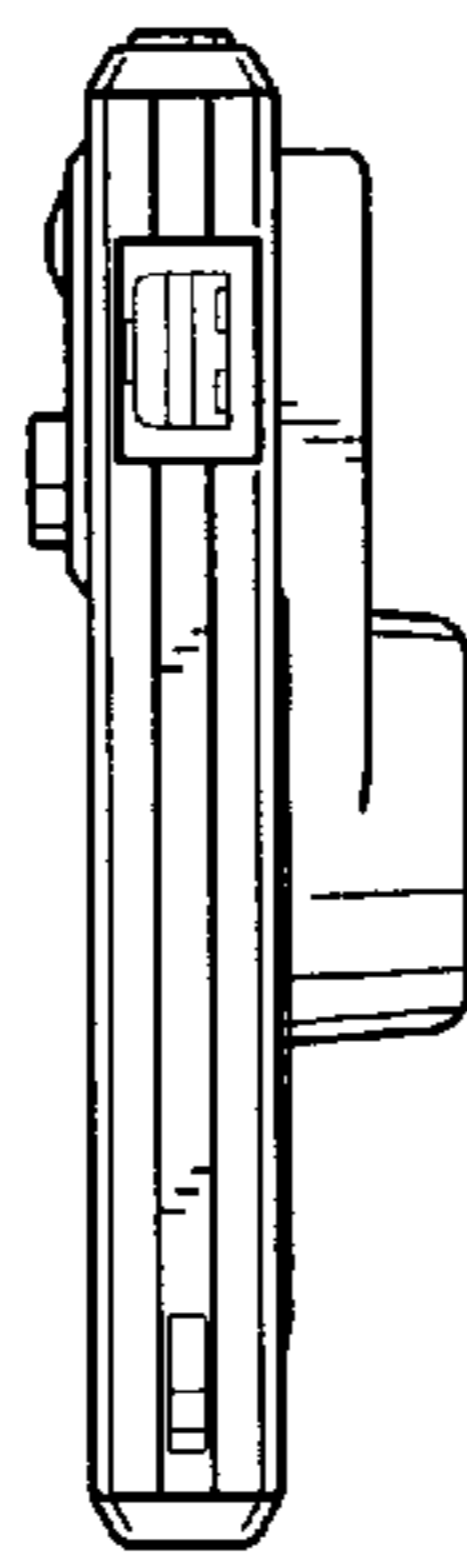


FIG. 5

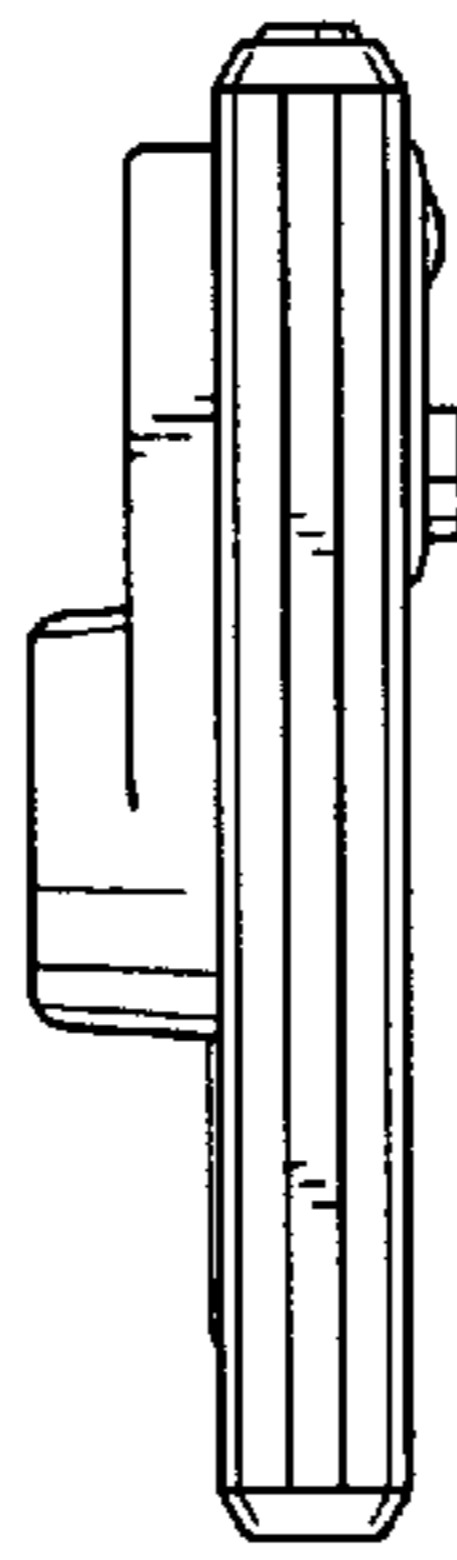


FIG. 6

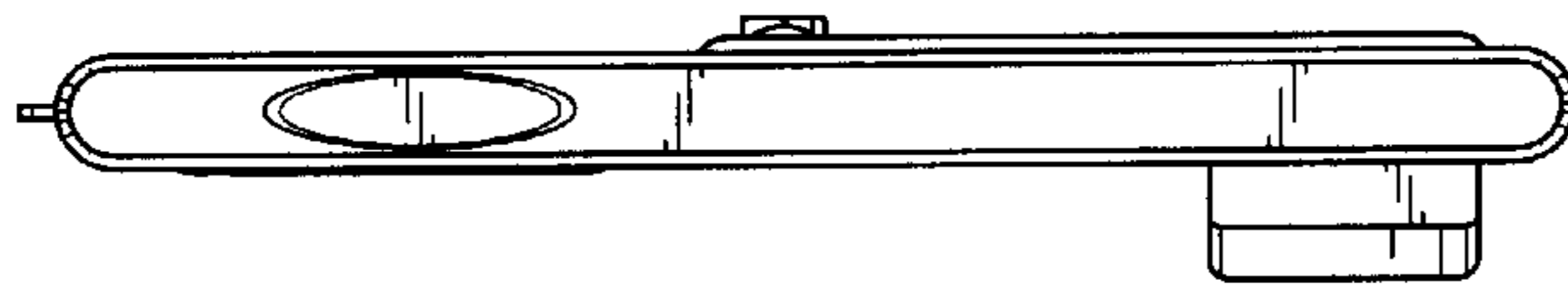


FIG. 7

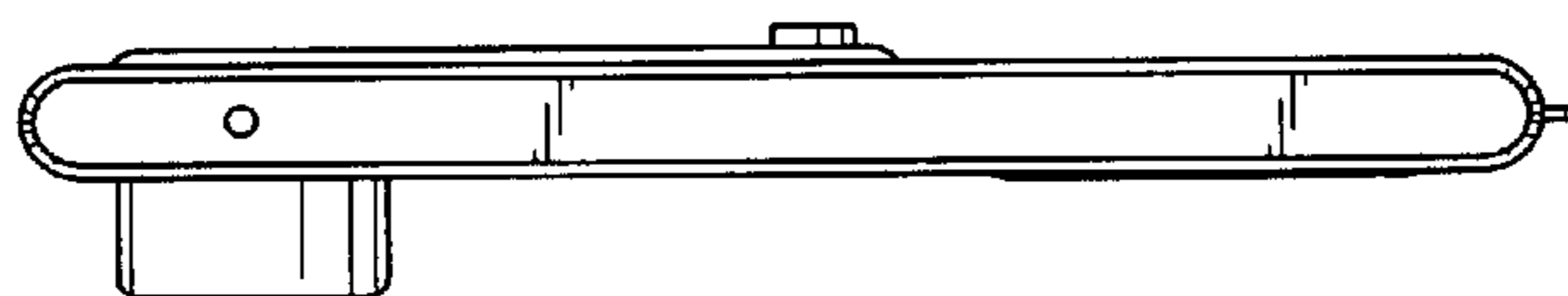


FIG. 8