



US00D500771S

(12) **United States Design Patent**
Simpson et al.

(10) **Patent No.: US D500,771 S**
(45) **Date of Patent: ** Jan. 11, 2005**

(54) **CONTROL ARM FOR CEMENT MIXER**

(75) Inventors: **Andrew Edwin Simpson**, Buxton (GB); **Martin James Hall**, Buxton (GB)

(73) Assignee: **Belle Engineering (Sheen) Limited**, Buxton (GB)

(**) Term: **14 Years**

(21) Appl. No.: **29/197,377**

(22) Filed: **Jan. 14, 2004**

(30) **Foreign Application Priority Data**

Jul. 14, 2003 (EM) 51586

(51) **LOC (7) Cl. 15-03**

(52) **U.S. Cl. D15/19**

(58) **Field of Search** D15/10, 19, 28;
366/53, 54, 62, 63, 233; D8/300

(56) **References Cited**

U.S. PATENT DOCUMENTS

D237,901 S	*	12/1975	Moran	D15/19
D246,243 S	*	11/1977	Violet et al.	D15/19
D260,150 S	*	8/1981	Palmer	D15/19
D278,150 S	*	3/1985	Burenga	D15/19
D319,832 S	*	9/1991	Ross	D15/19
D421,613 S	*	3/2000	Shiotani	D15/19

OTHER PUBLICATIONS

Photo, Cement Mixer, 1 pg., <http://www.thriftway.net/services/rentals/cement-mixer.jpg>, Jan. 20, 2004.

Photo, Cement Mixer MC 130, 1 pg., http://www.george-higgins.co.uk/cement_mixer.htm, Jan. 20, 2004.

Photo, Cement Mixer, 1 pg., <http://www.worksaver.com/mix/580mix3.gif>, Jan. 20, 2004.

Photo, Cement Mixer, 1 pg., <http://www.harborfreight.com/cpi/photos/47500-47599/47558.gif>, Jan. 20, 2004.

“Berland’s Brainbuster”, Berland’s House of Tools, 1 pg., <http://www.berlandtools.com/specials/brainbuster.html>, Jan. 20, 2004.

* cited by examiner

Primary Examiner—Mitchell Siegel

(74) *Attorney, Agent, or Firm*—Bracewell & Patterson, L.L.P.

(57) **CLAIM**

The ornamental design for control arm for cement mixer, as shown and described.

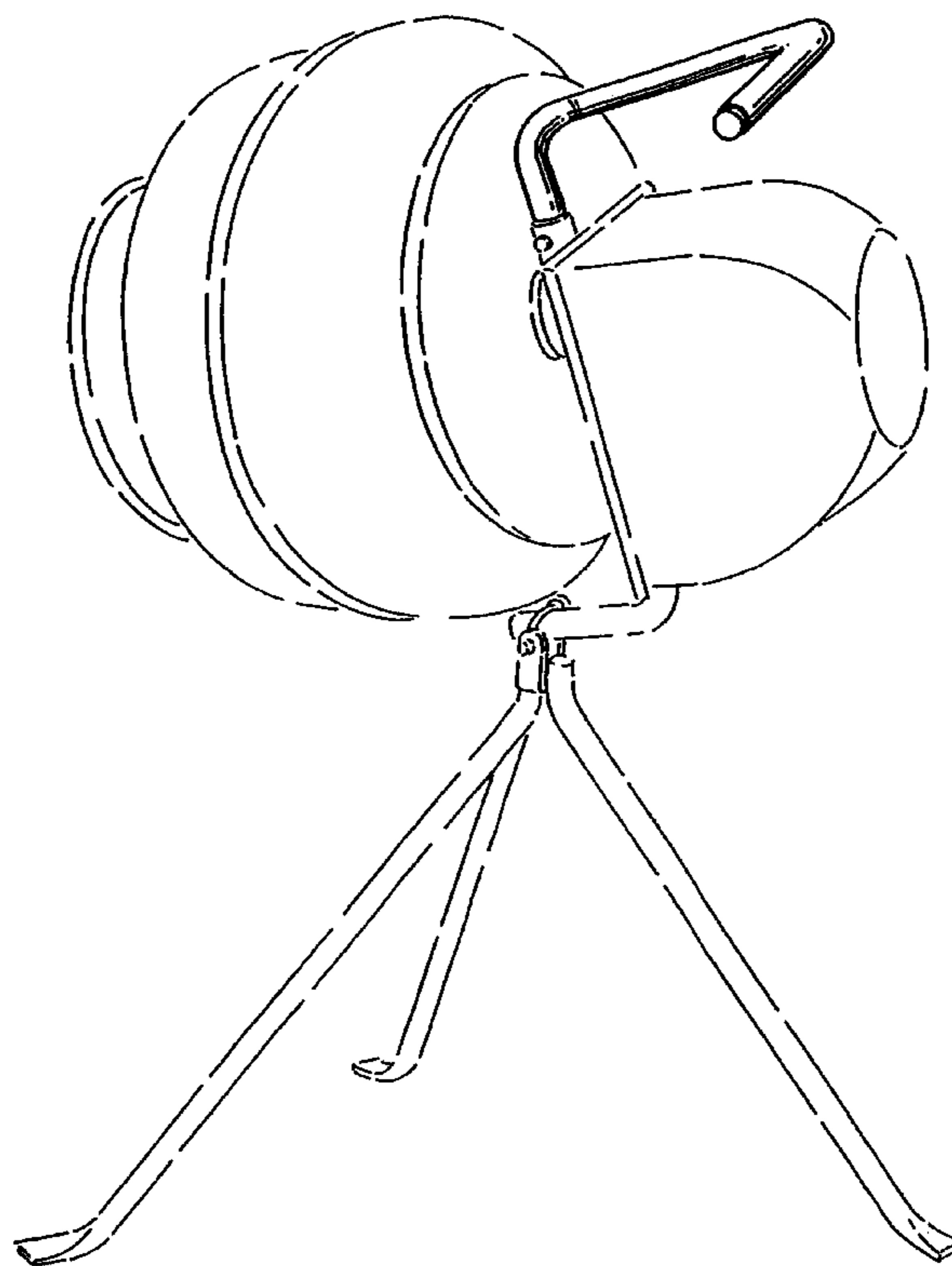
DESCRIPTION

FIG. 1 is a perspective view from rear and right side of a control arm for a cement mixer embodying our new design, the cement mixer being shown in broken lines for illustrative purposes only.

FIG. 2 is a perspective view from front, left side and above of the control arm; and,

FIG. 3 is a rear view of the control arm.

1 Claim, 3 Drawing Sheets



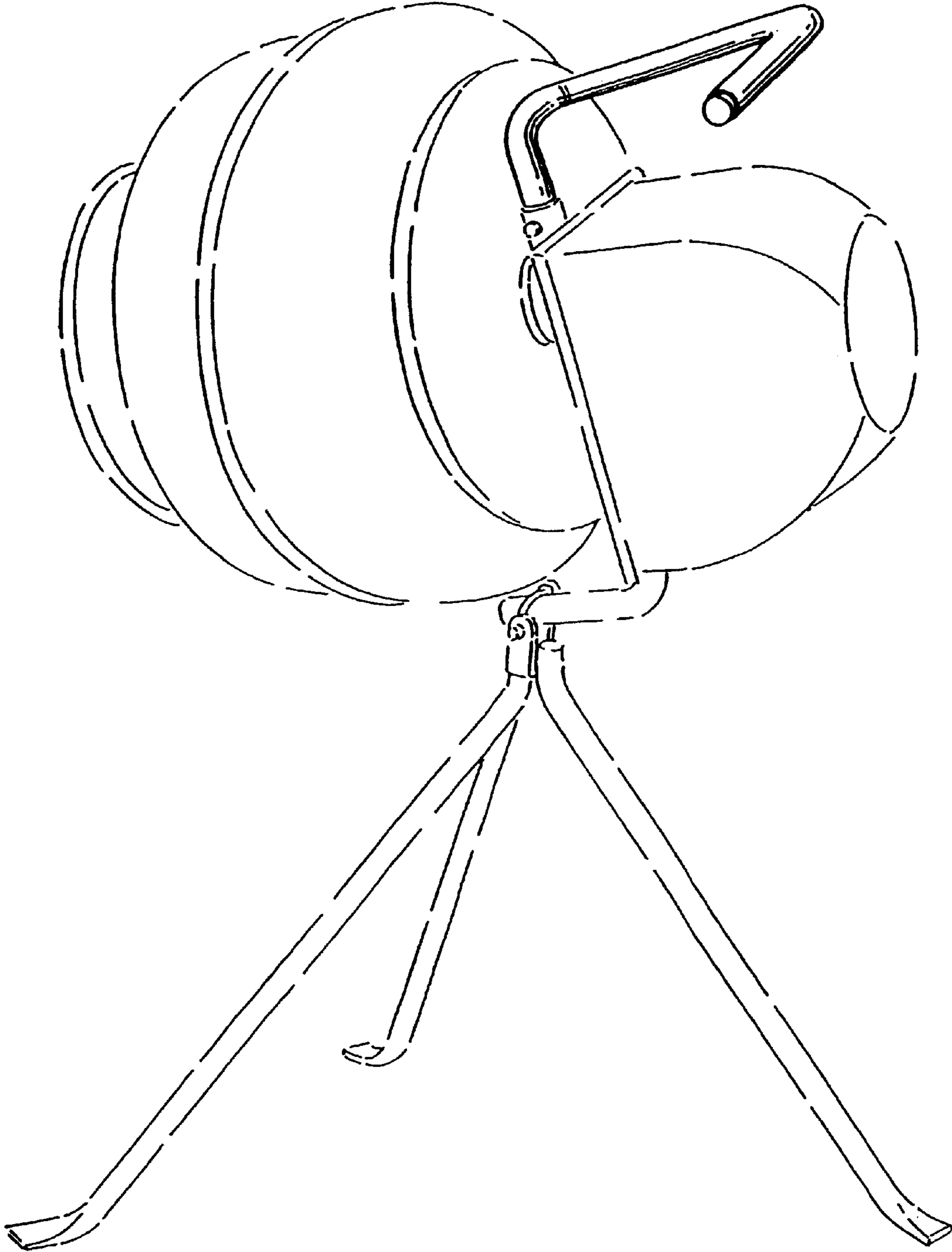


Fig. 1

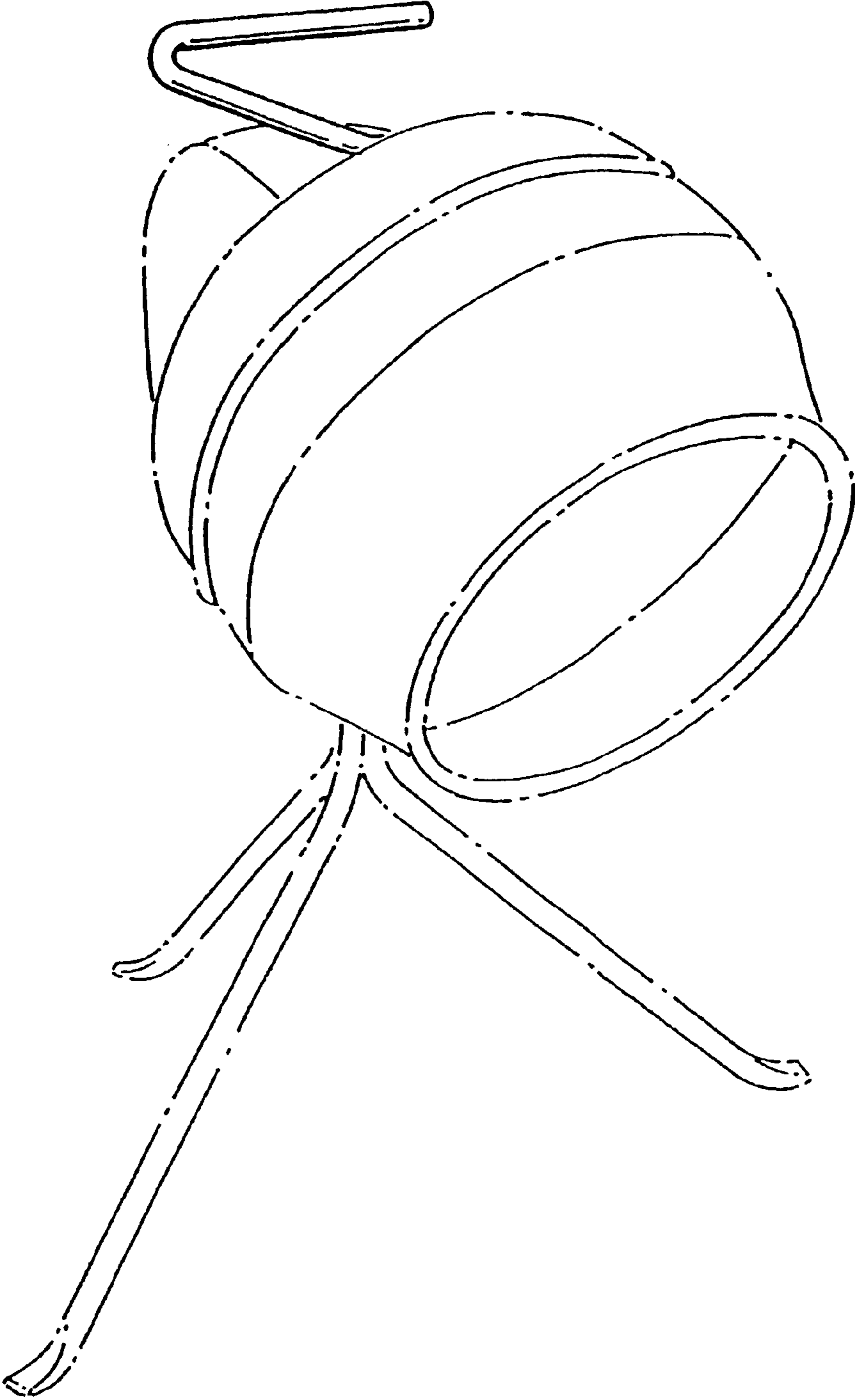


Fig. 2

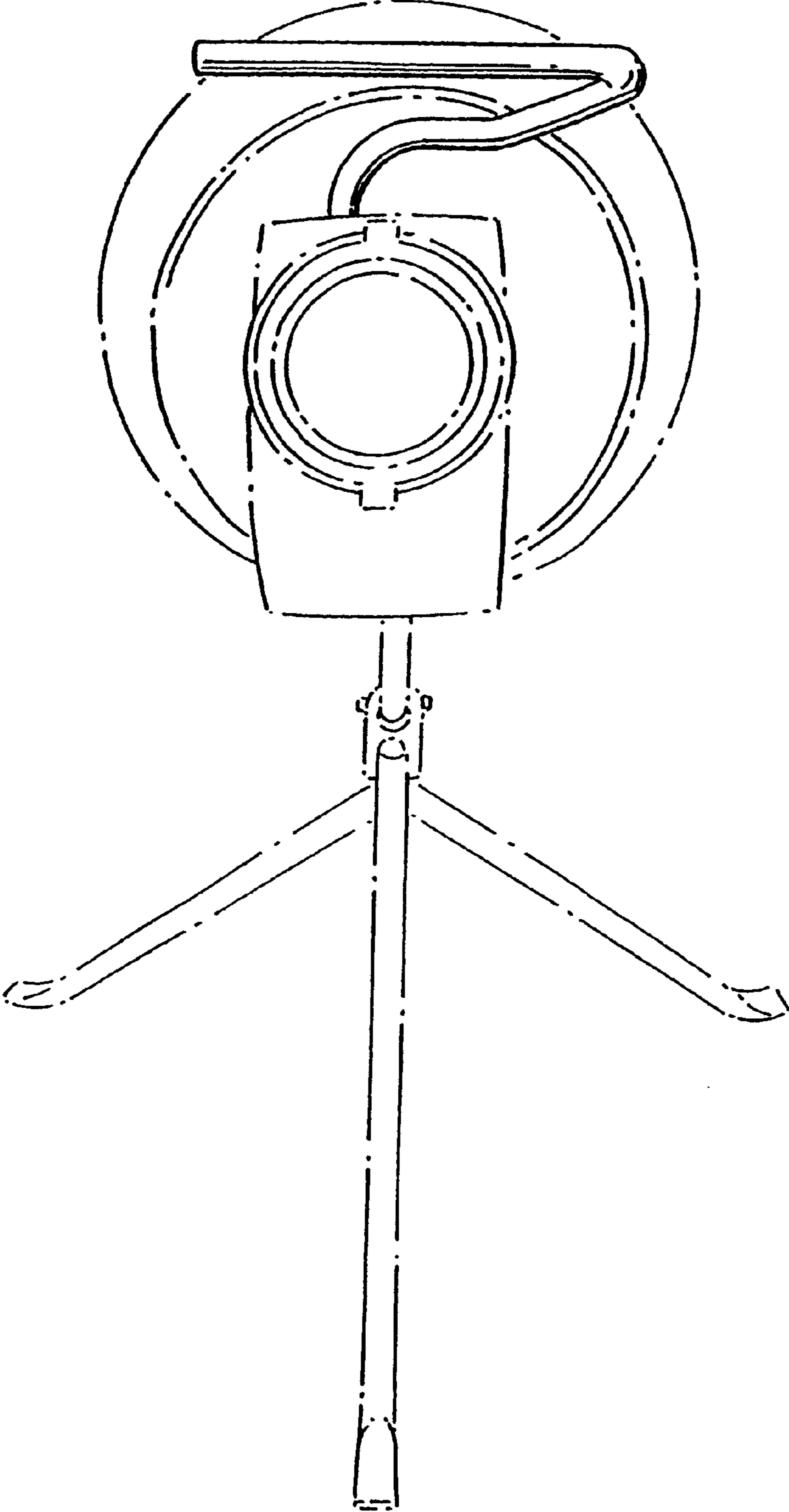


Fig. 3