

US00D500770S

(12) **United States Design Patent**
Pohler

(10) **Patent No.:** **US D500,770 S**
(45) **Date of Patent:** **** Jan. 11, 2005**

(54) **SUMP PUMP**

(75) **Inventor:** **Donald M. Pohler**, Rochester, NY (US)

(73) **Assignee:** **Liberty Pumps**, Bergen, NY (US)

(**) **Term:** **14 Years**

(21) **Appl. No.:** **29/199,822**

(22) **Filed:** **Feb. 19, 2004**

(51) **LOC (7) Cl.** **15-02**

(52) **U.S. Cl.** **D15/7**

(58) **Field of Search** D15/7-9; 417/321,
417/410, 413.1, 415, 423.3, 486, 521, 534;
415/148

(56) **References Cited**

U.S. PATENT DOCUMENTS

D227,168 S	*	6/1973	Chase et al.	D15/7
D237,011 S	*	9/1975	Stroberg	D15/7
D268,412 S	*	3/1983	Davis et al.	D15/7
D351,602 S	*	10/1994	Rosebraugh et al.	D15/7
D443,881 S	*	6/2001	Tsai	D15/7

* cited by examiner

Primary Examiner—Ralf Seifert

(74) *Attorney, Agent, or Firm*—Howard J. Greenwald, P.C.;
John M. Hammond

(57) **CLAIM**

The ornamental design for a “sump pump”, as shown and described.

DESCRIPTION

FIG. 1 is a perspective view of the top, front and left side of the sump pump;

FIG. 2 is a front elevation view of the sump pump;

FIG. 3 is a right side elevation view of the sump pump;

FIG. 4 is a rear elevation view of the sump pump;

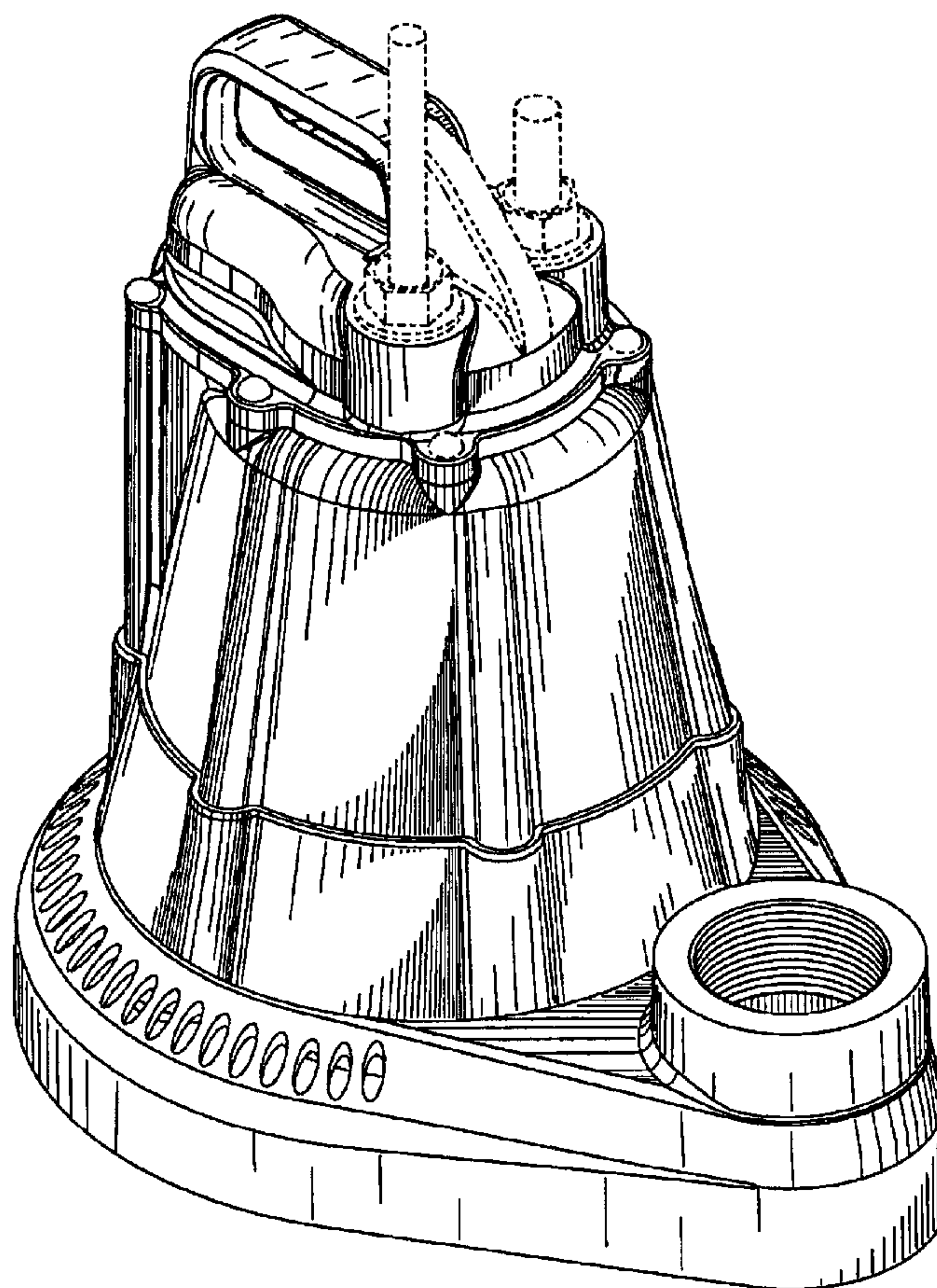
FIG. 5 is a left side elevation view of the sump pump;

FIG. 6 is a top plan view of the sump pump; and,

FIG. 7 is a view looking upwardly at the sump pump from below.

The broken-lines of FIGS. 1 through 7 depict cords, fasteners, a rib adjacent to a handle at the top portion of the pump, and a pair of recesses on the rearward side of the pump. These broken line features are depicted for illustrative purposes only, and form no part of the claimed design.

1 Claim, 7 Drawing Sheets



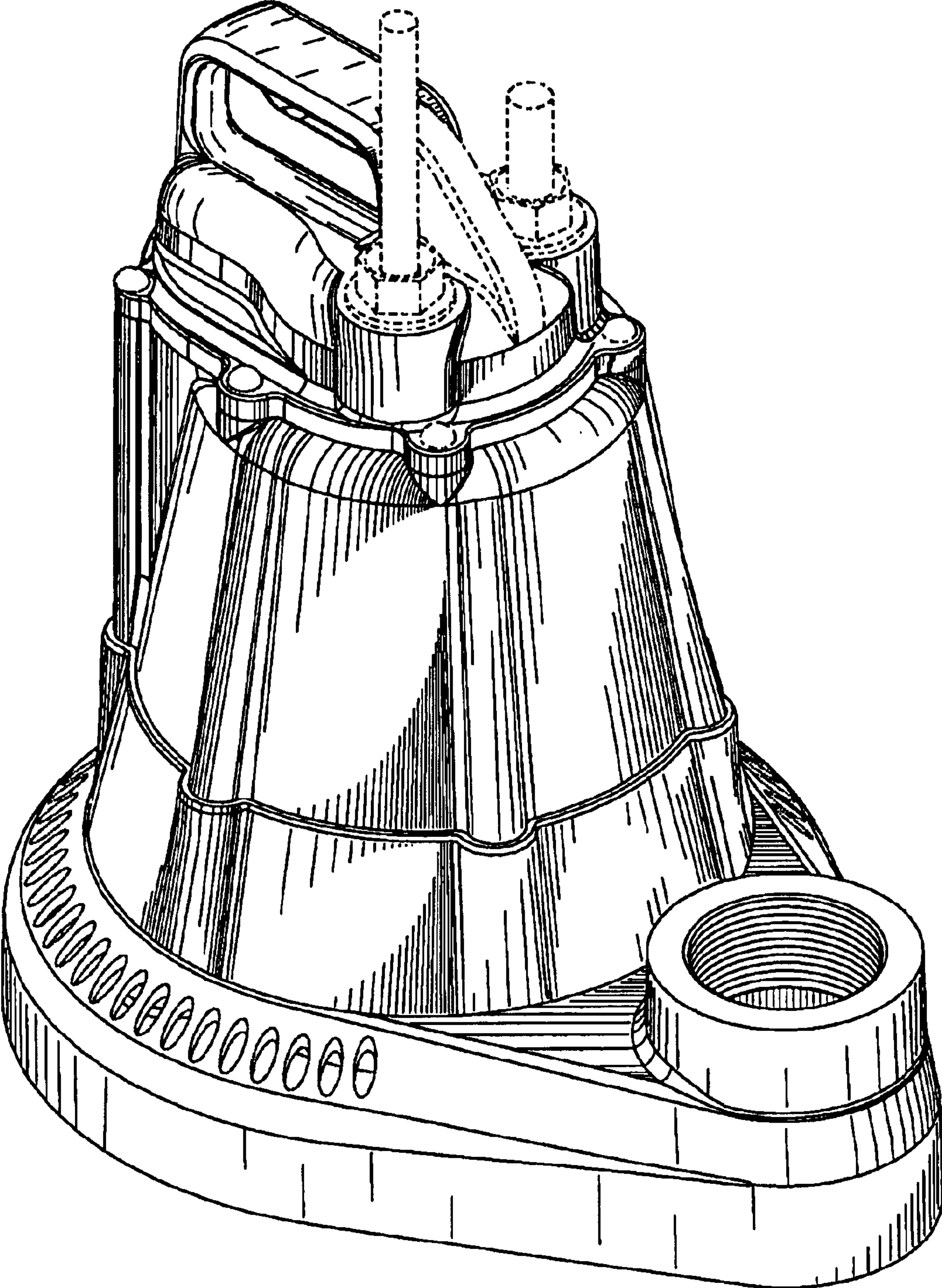


FIG. 1

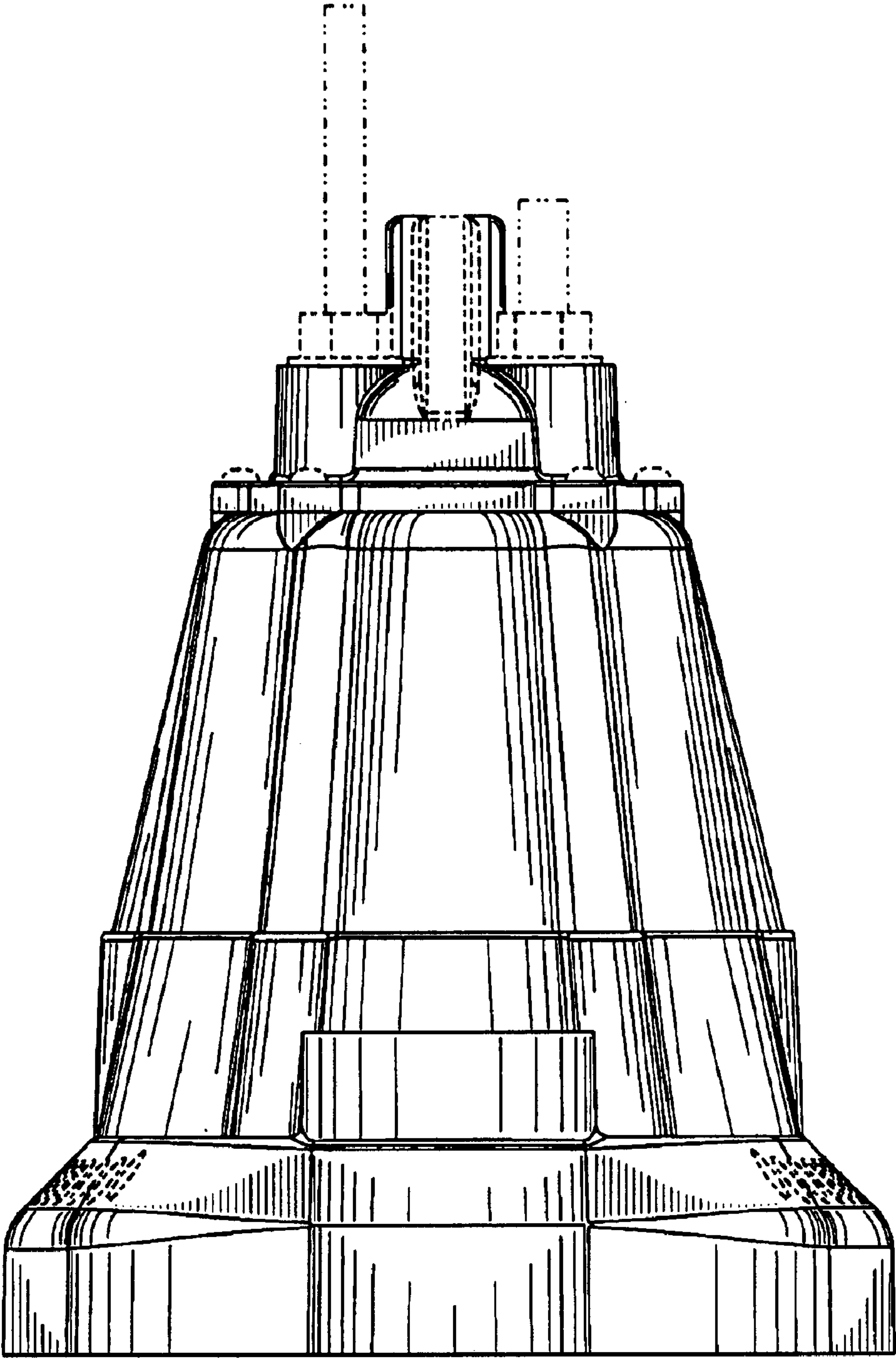


FIG. 2

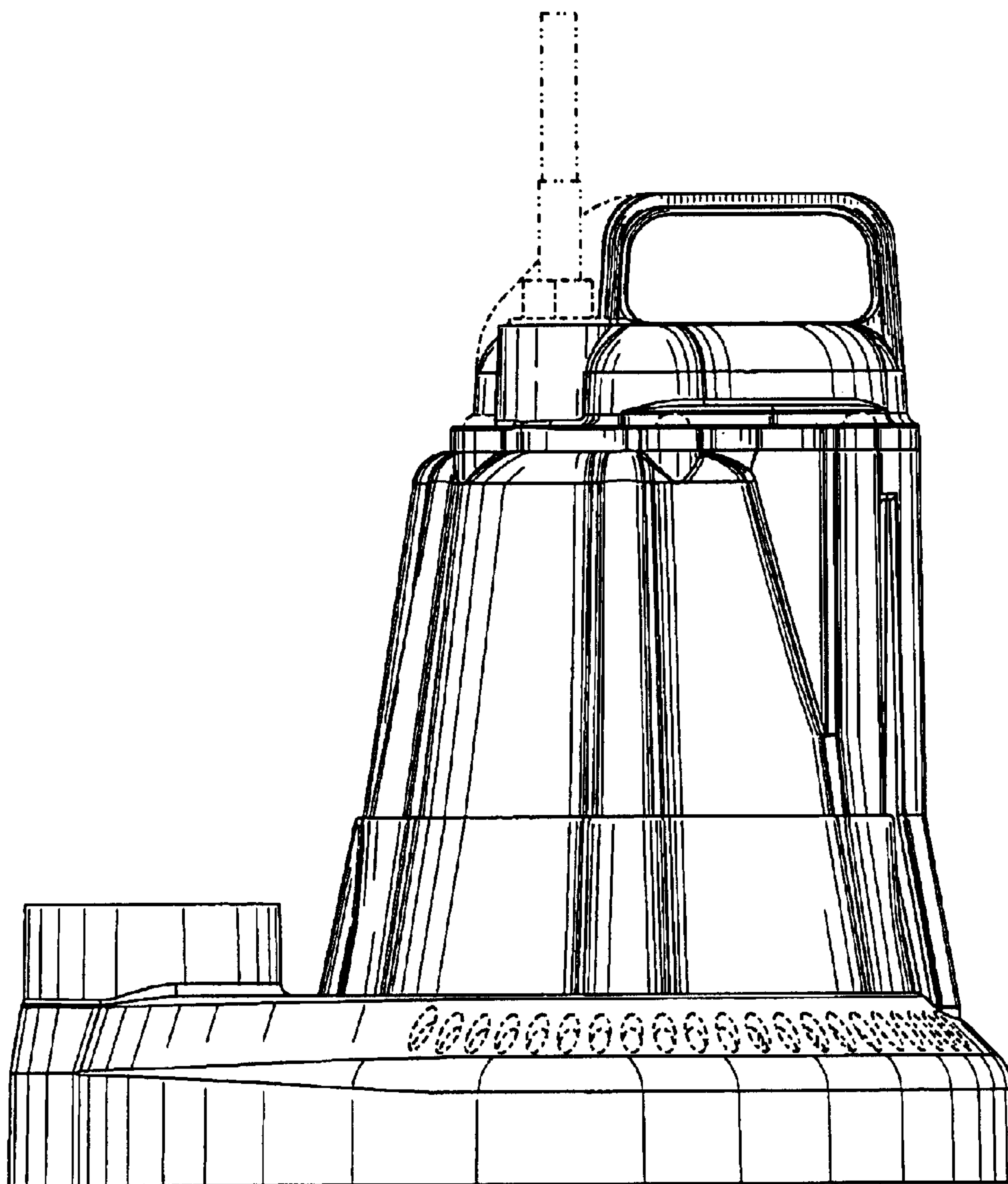


FIG. 3

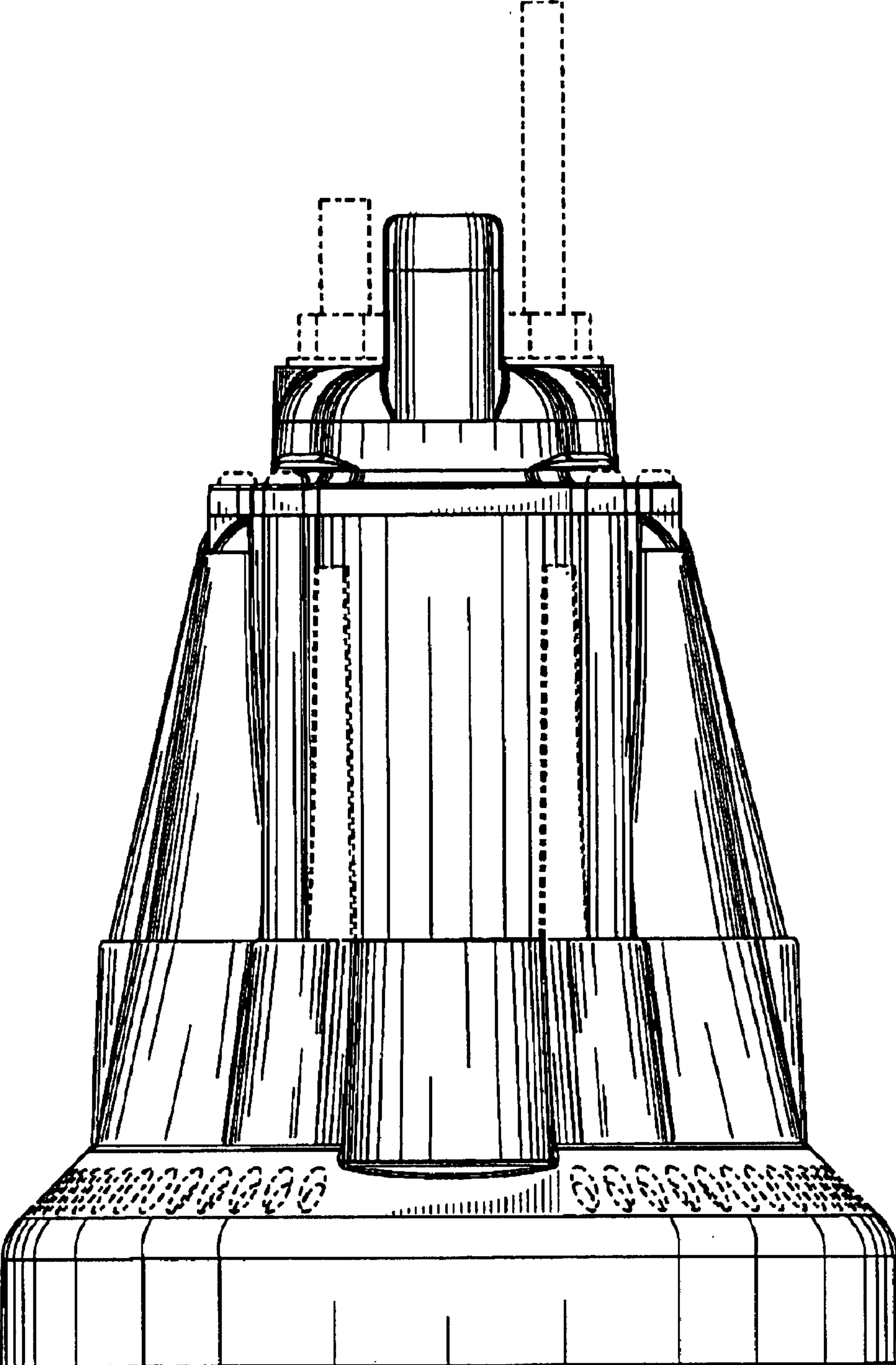


FIG. 4

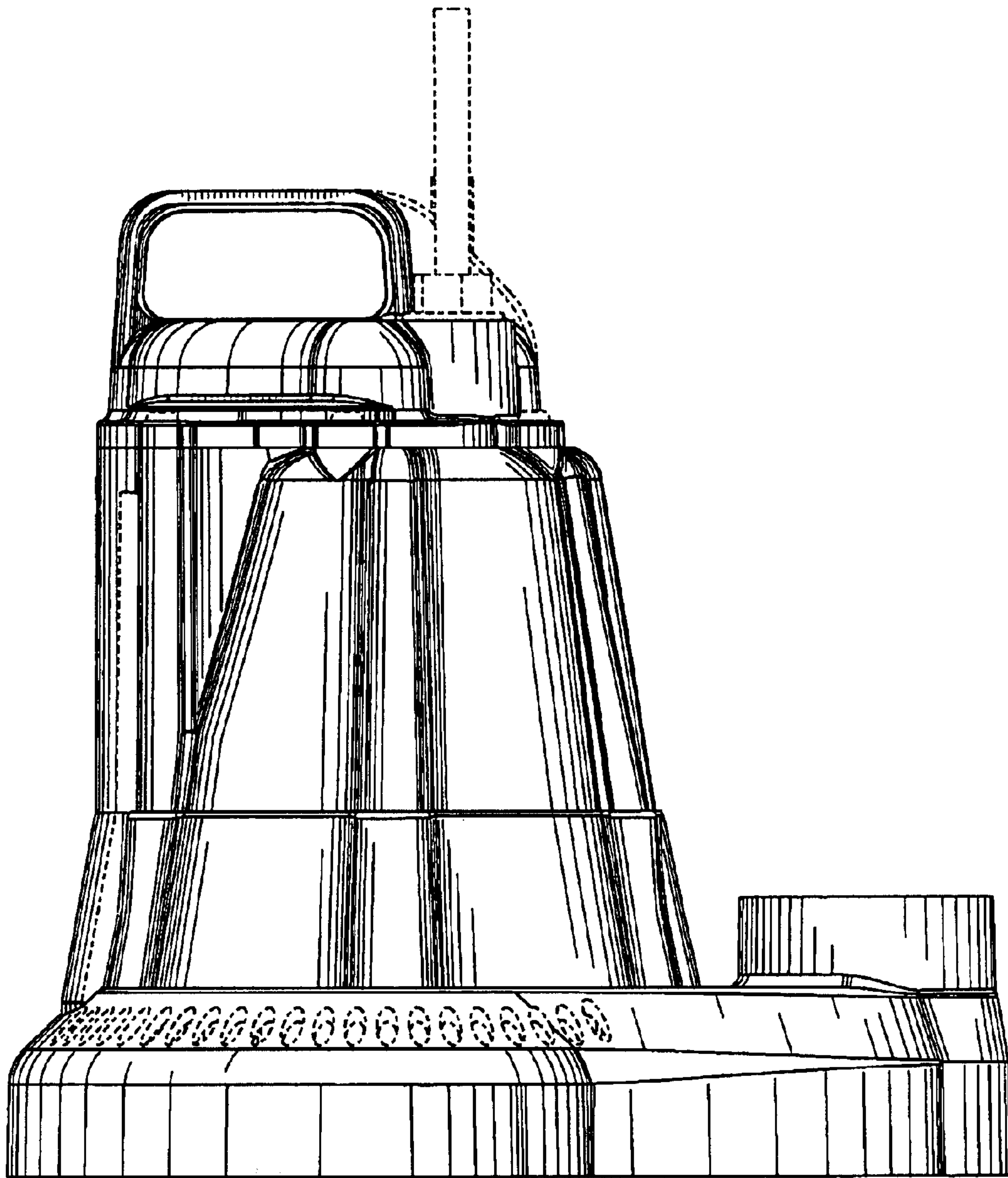


FIG. 5

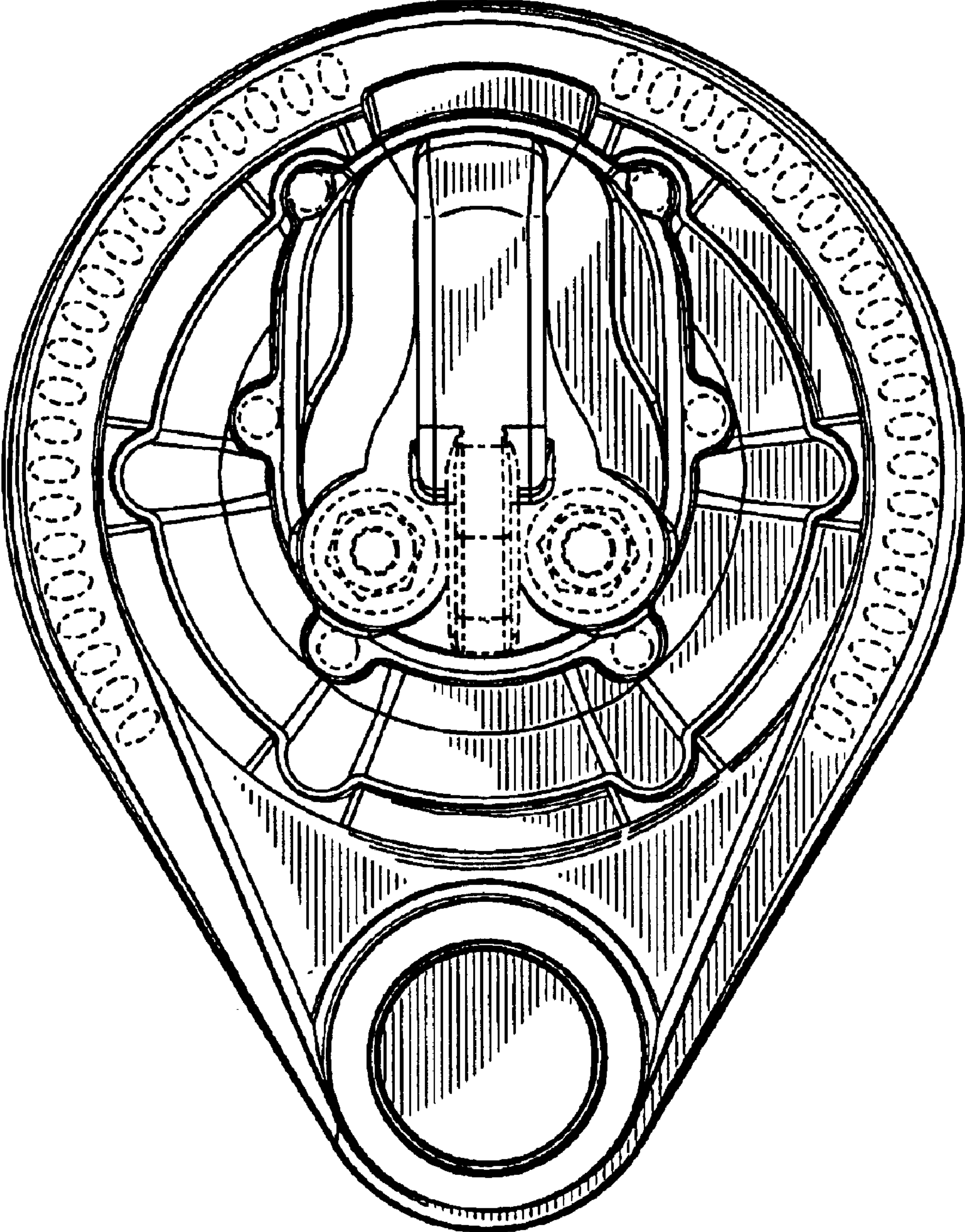


FIG. 6

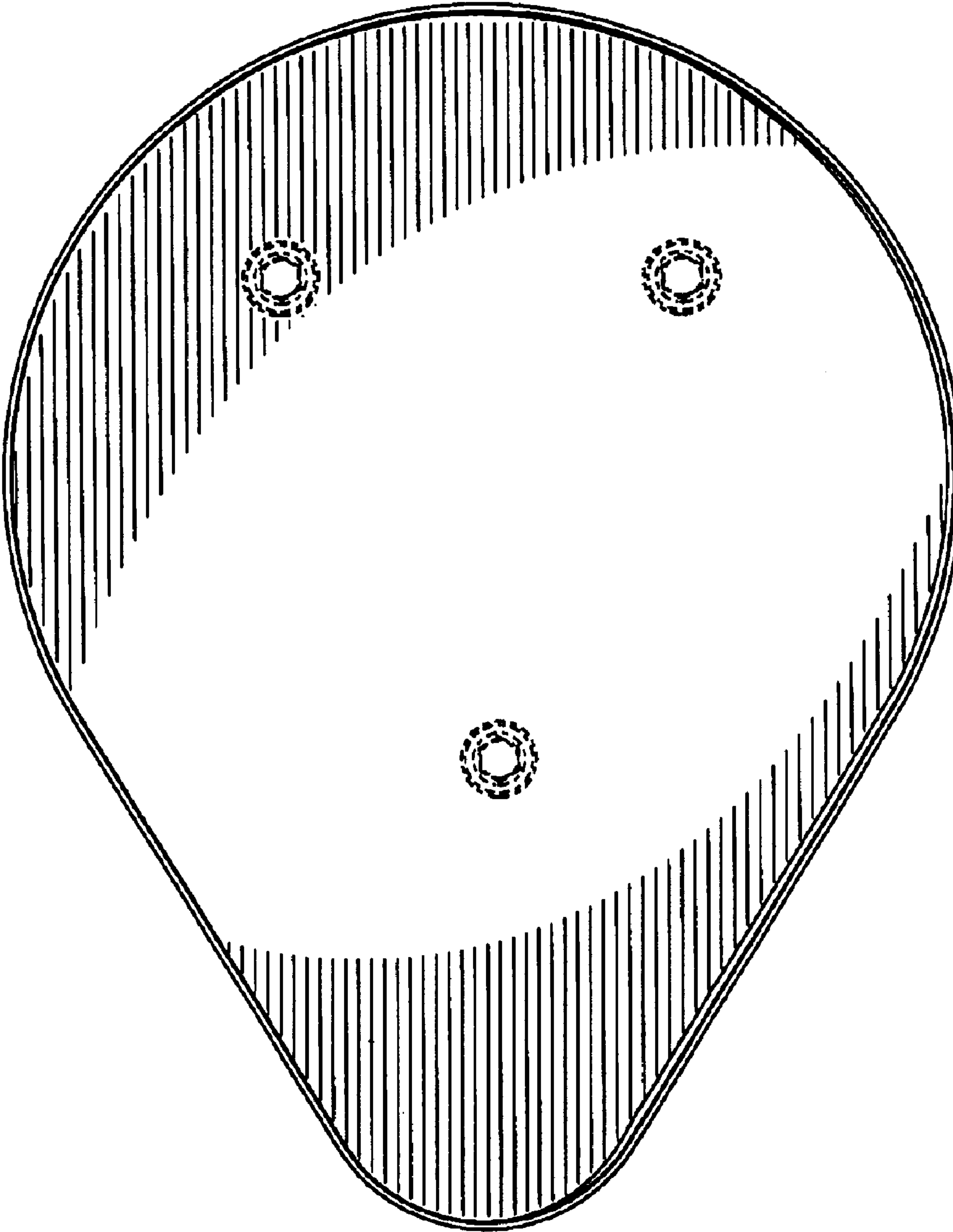


FIG. 7