



US00D500769S

(12) **United States Design Patent**
Montgomery

(10) **Patent No.: US D500,769 S**
(45) **Date of Patent: ** Jan. 11, 2005**

(54) **COMPRESSOR SHROUD**

(75) Inventor: **Kevin M. Montgomery**, Cincinnati,
OH (US)

(73) Assignee: **Campell Hausfeld/Scott Fetzer**
Company, Harrison, OH (US)

(**) Term: **14 Years**

(21) Appl. No.: **29/198,103**

(22) Filed: **Jan. 23, 2004**

(51) **LOC (7) Cl.** **15-02**

(52) **U.S. Cl.** **D15/7**

(58) **Field of Search** D15/7-9, 234;
417/321, 410, 413.1, 415, 423.3, 486, 521,
534; 415/148

(56) **References Cited**

U.S. PATENT DOCUMENTS

D398,011 S	*	9/1998	Wang	D15/9
D434,048 S	*	11/2000	Orschell et al.	D15/9
6,431,839 B2	*	8/2002	Gruber et al.	417/234
D470,864 S	*	2/2003	Shibukawa et al.	D15/7
D475,721 S	*	6/2003	Harper et al.	D15/9
D489,736 S	*	5/2004	Harper et al.	D15/9

* cited by examiner

Primary Examiner—Ralf Seifert

(74) *Attorney, Agent, or Firm*—Jones Day

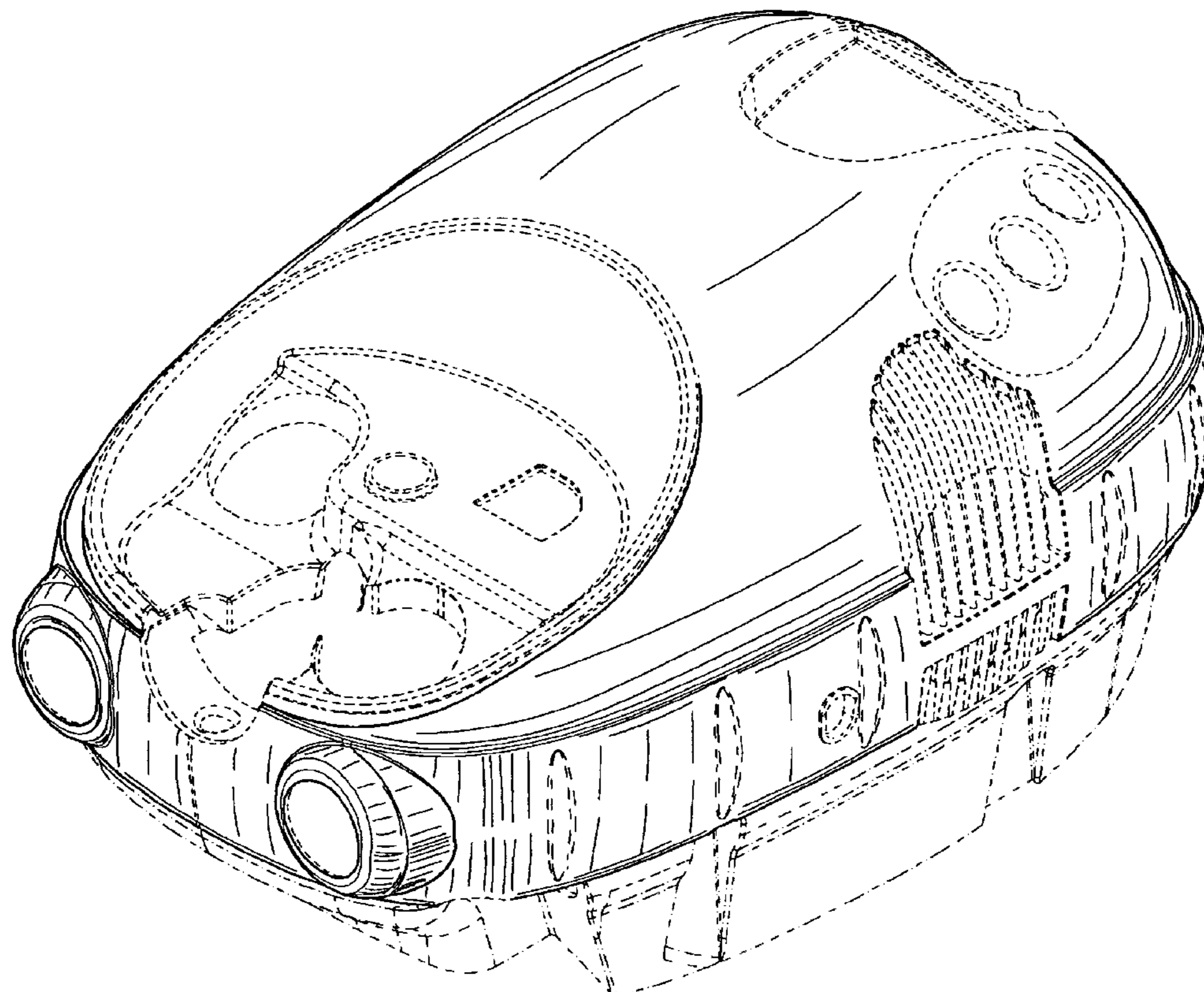
(57) **CLAIM**

I claim the ornamental design for a compressor shroud, as shown and described.

DESCRIPTION

FIG. 1 is a perspective view of a compressor shroud showing my new design;
 FIG. 2 is a different perspective view of the shroud;
 FIG. 3 is a side view of the shroud;
 FIG. 4 is an opposite side view of the shroud;
 FIG. 5 is a top view of the shroud;
 FIG. 6 is a bottom view of the shroud;
 FIG. 7 is a front view of the shroud;
 FIG. 8 is a rear view of the shroud;
 FIG. 9 is a perspective view of a compressor shroud showing a second embodiment of my new design;
 FIG. 10 is a different perspective view of the shroud of FIG. 9;
 FIG. 11 is a side view of the shroud of FIG. 9;
 FIG. 12 is an opposite side view of the shroud of FIG. 9;
 FIG. 13 is a top view of the shroud of FIG. 9;
 FIG. 14 is a bottom view of the shroud of FIG. 9;
 FIG. 15 is a front view of the shroud of FIG. 9; and,
 FIG. 16 is a rear view of the shroud of FIG. 9.
 The broken lines in FIGS. 1-8 are for illustrative purposes only and form no part of the claimed design.

1 Claim, 16 Drawing Sheets



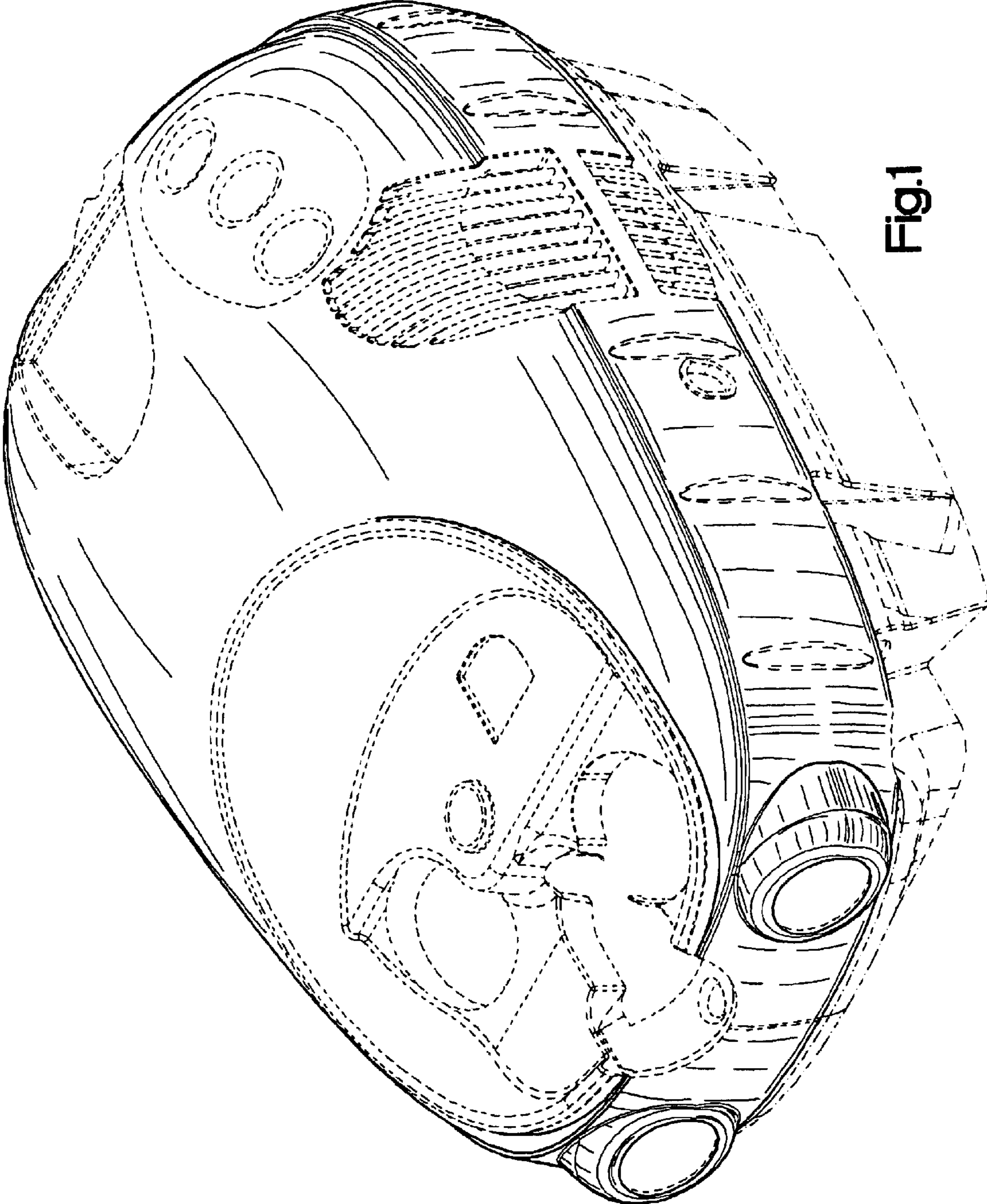


Fig.1

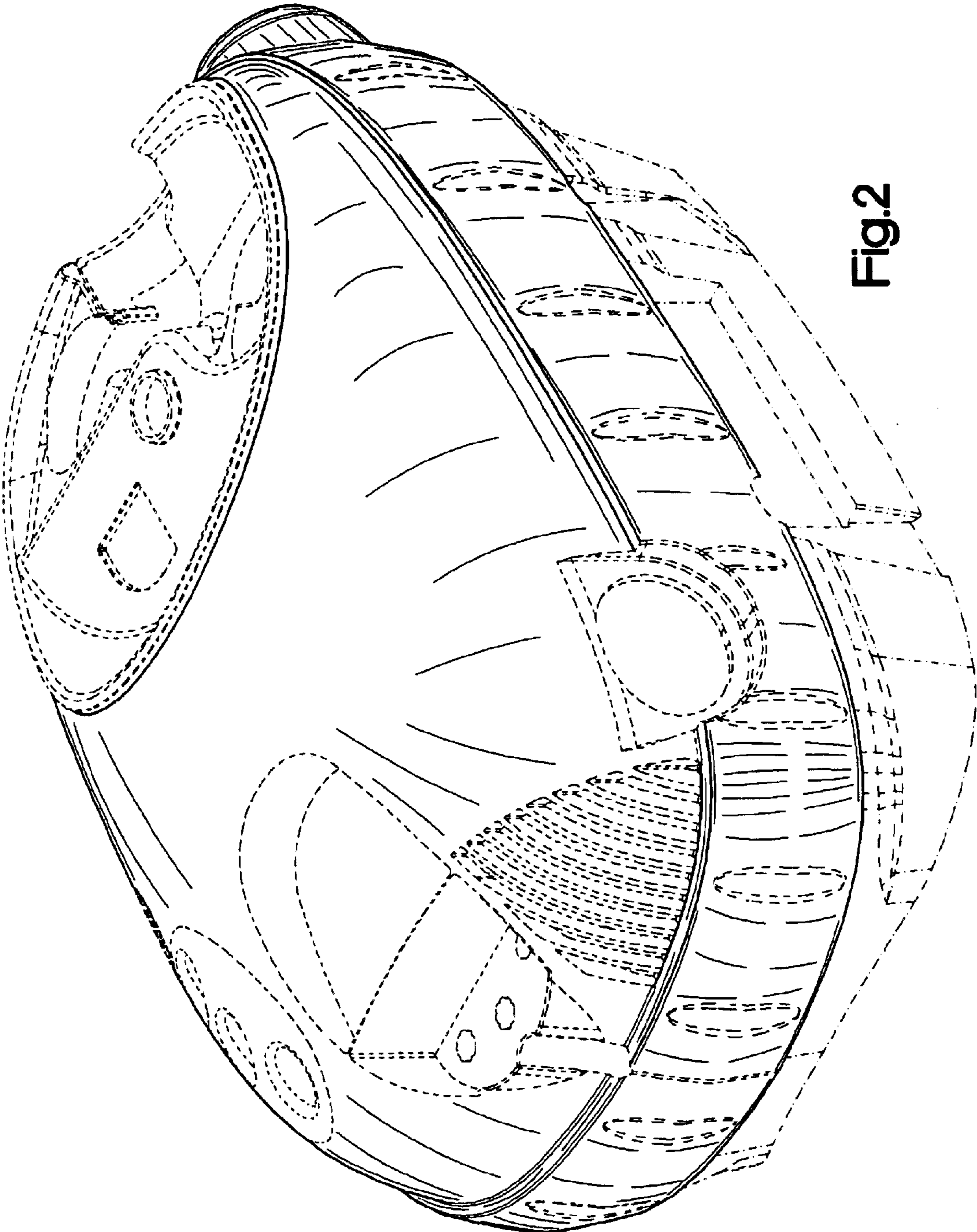


Fig. 2

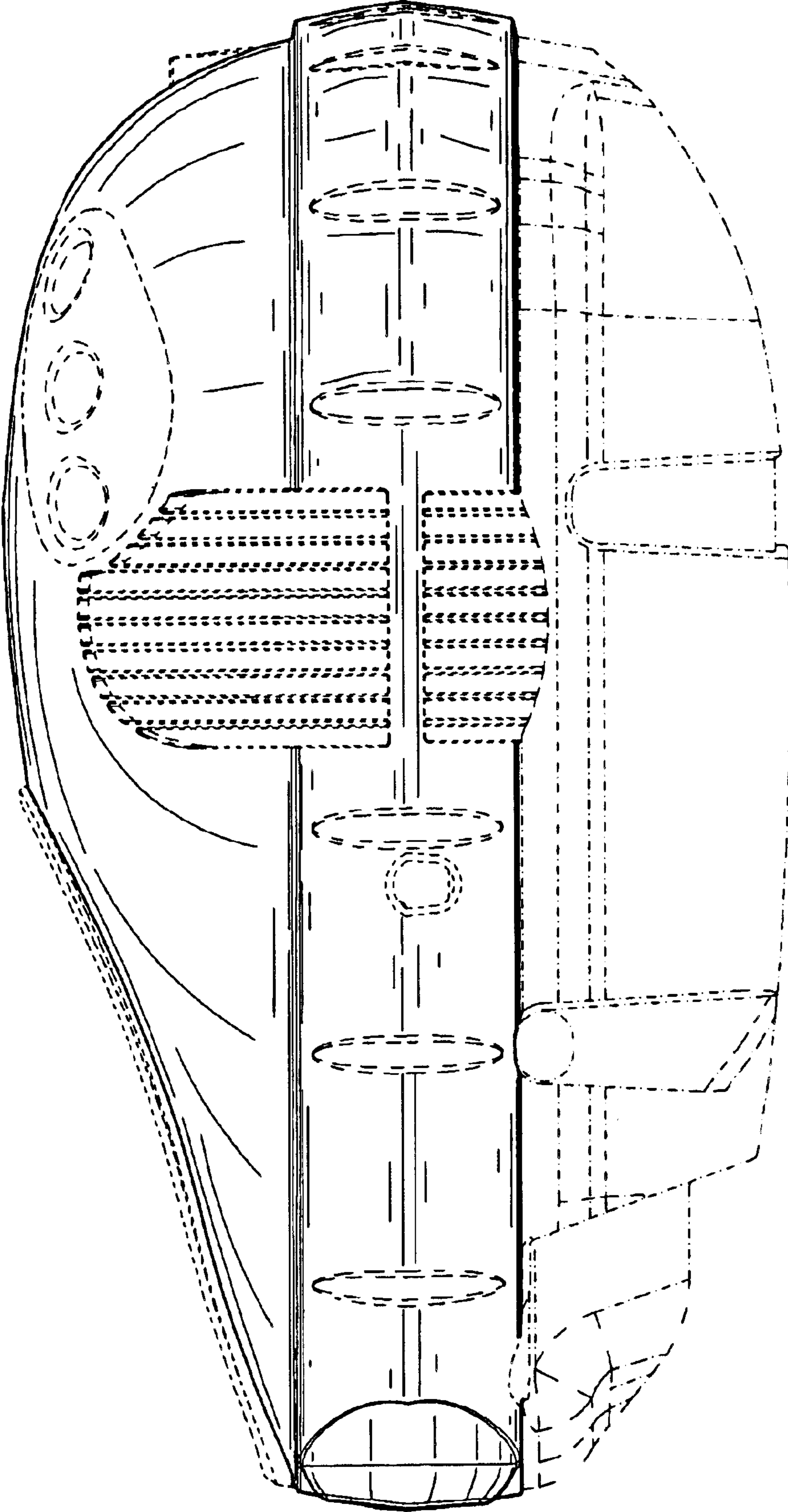


Fig.3

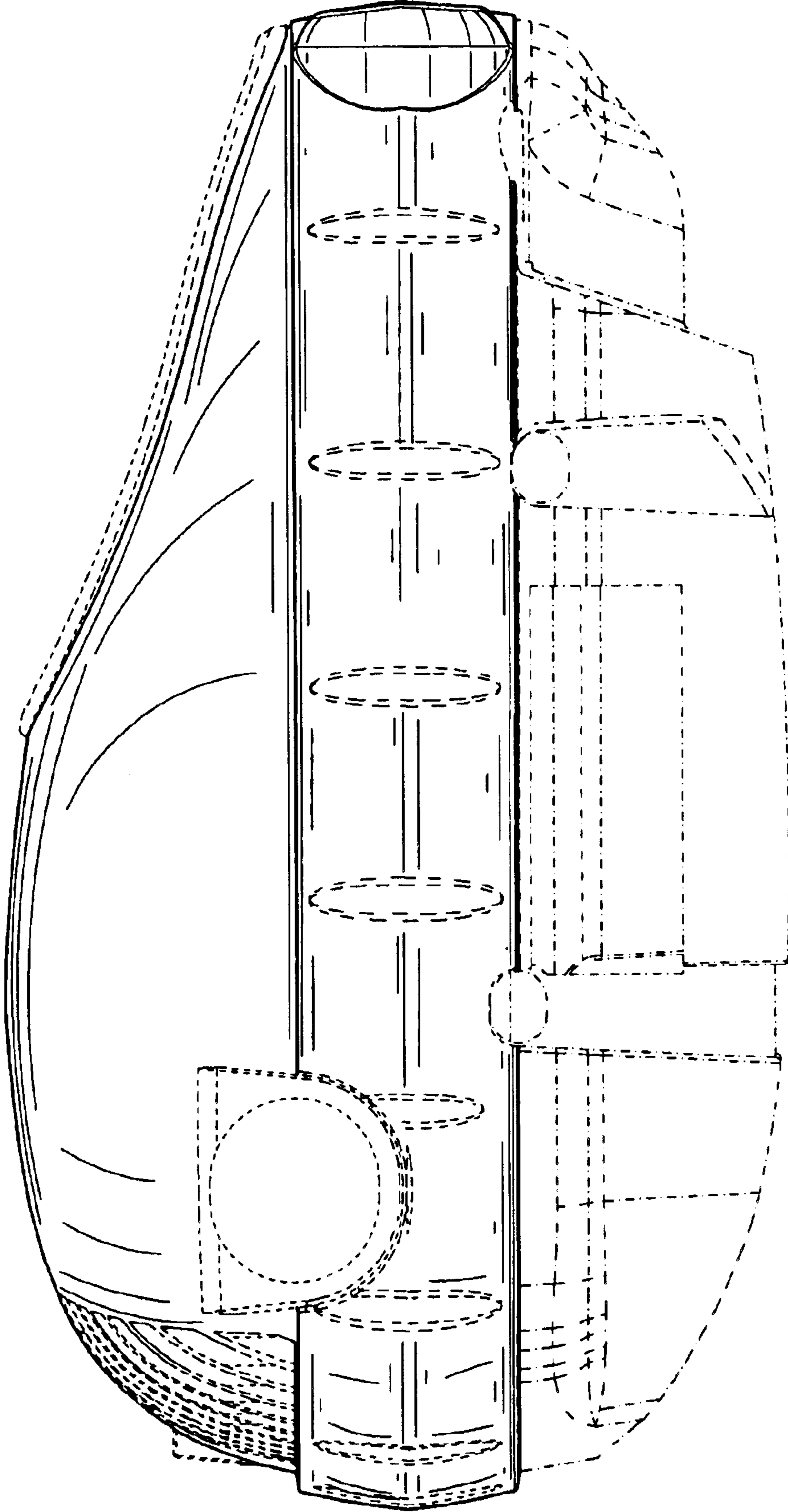


Fig.4

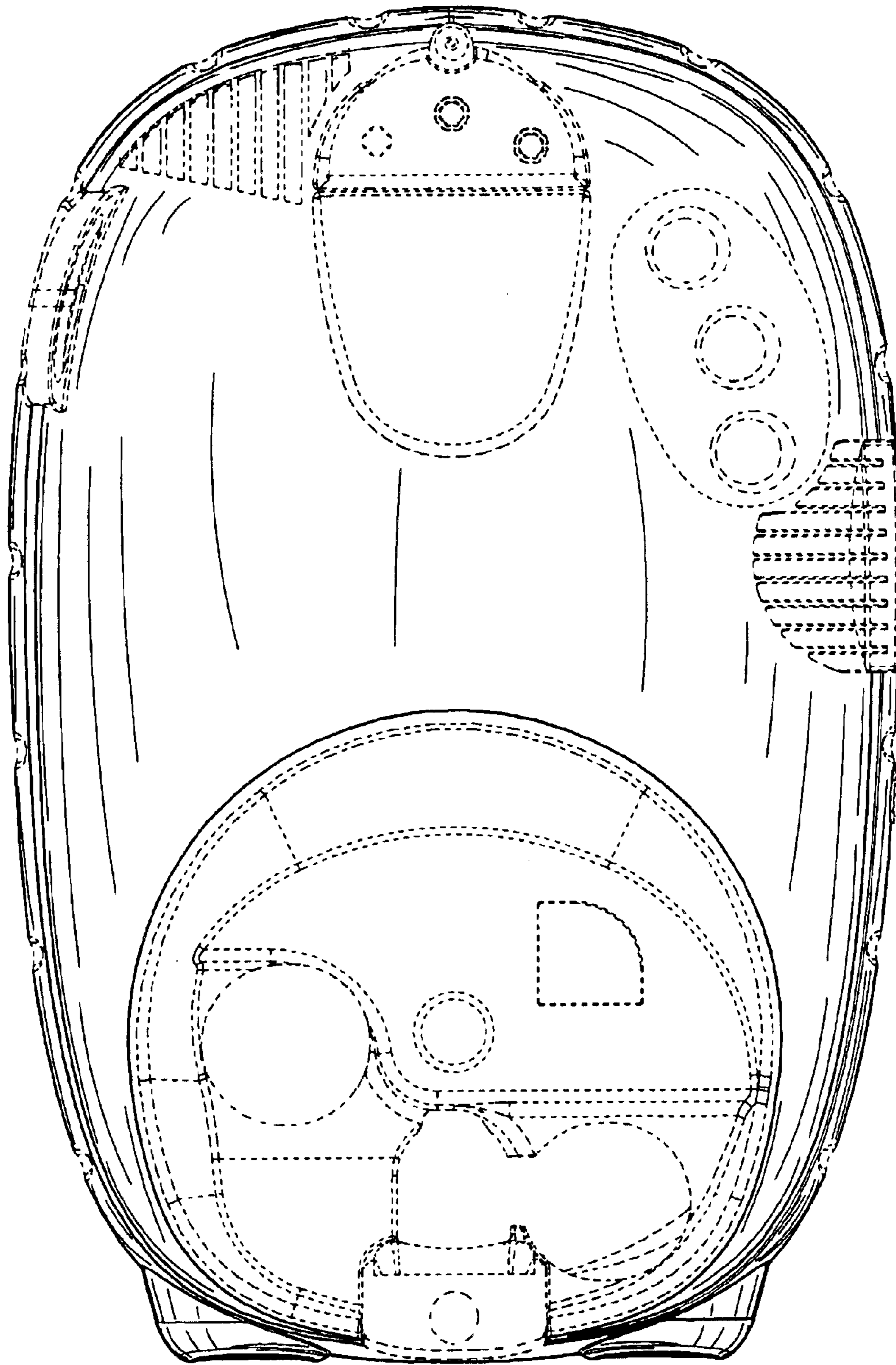


Fig.5

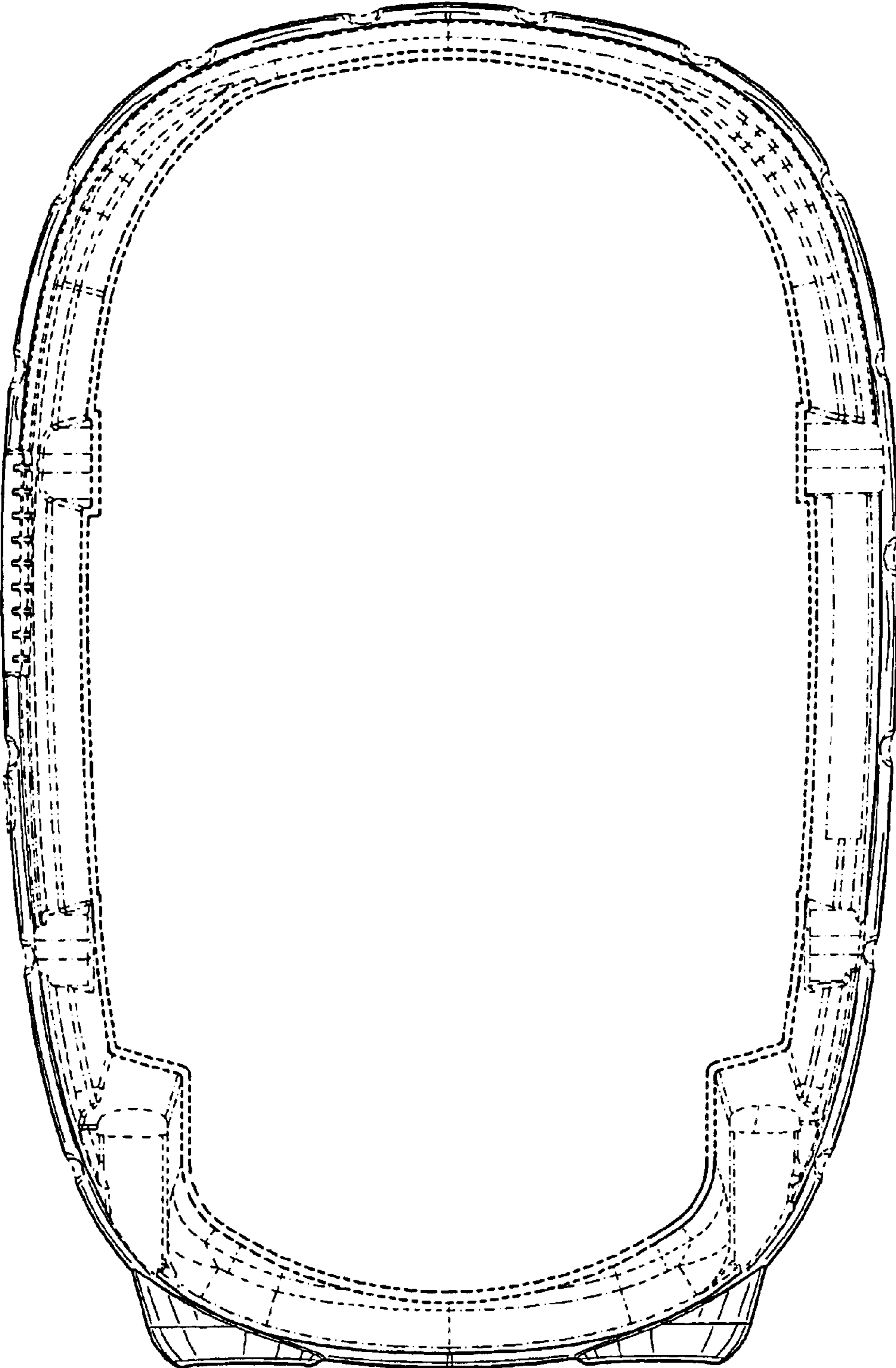


Fig.6

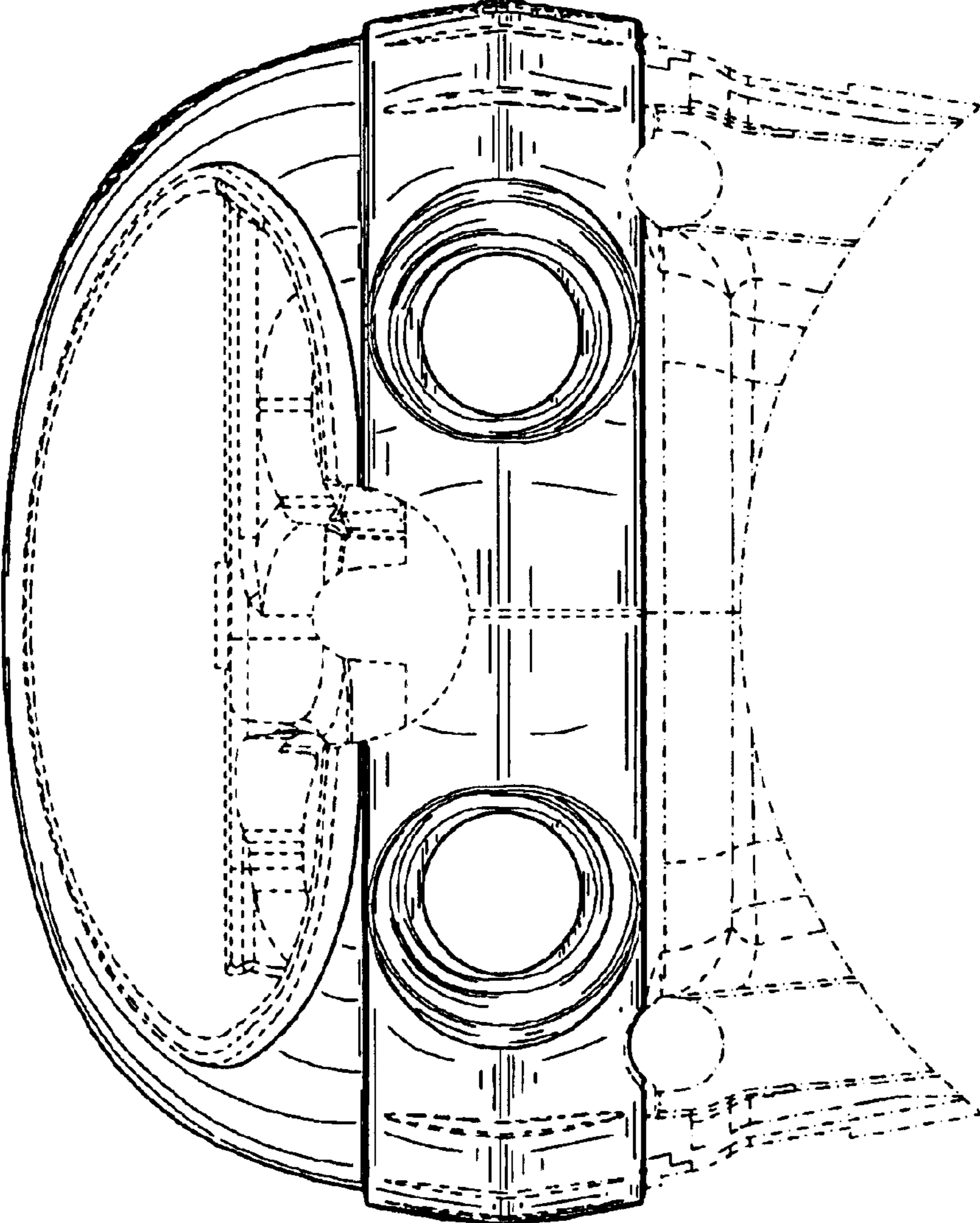


Fig.7

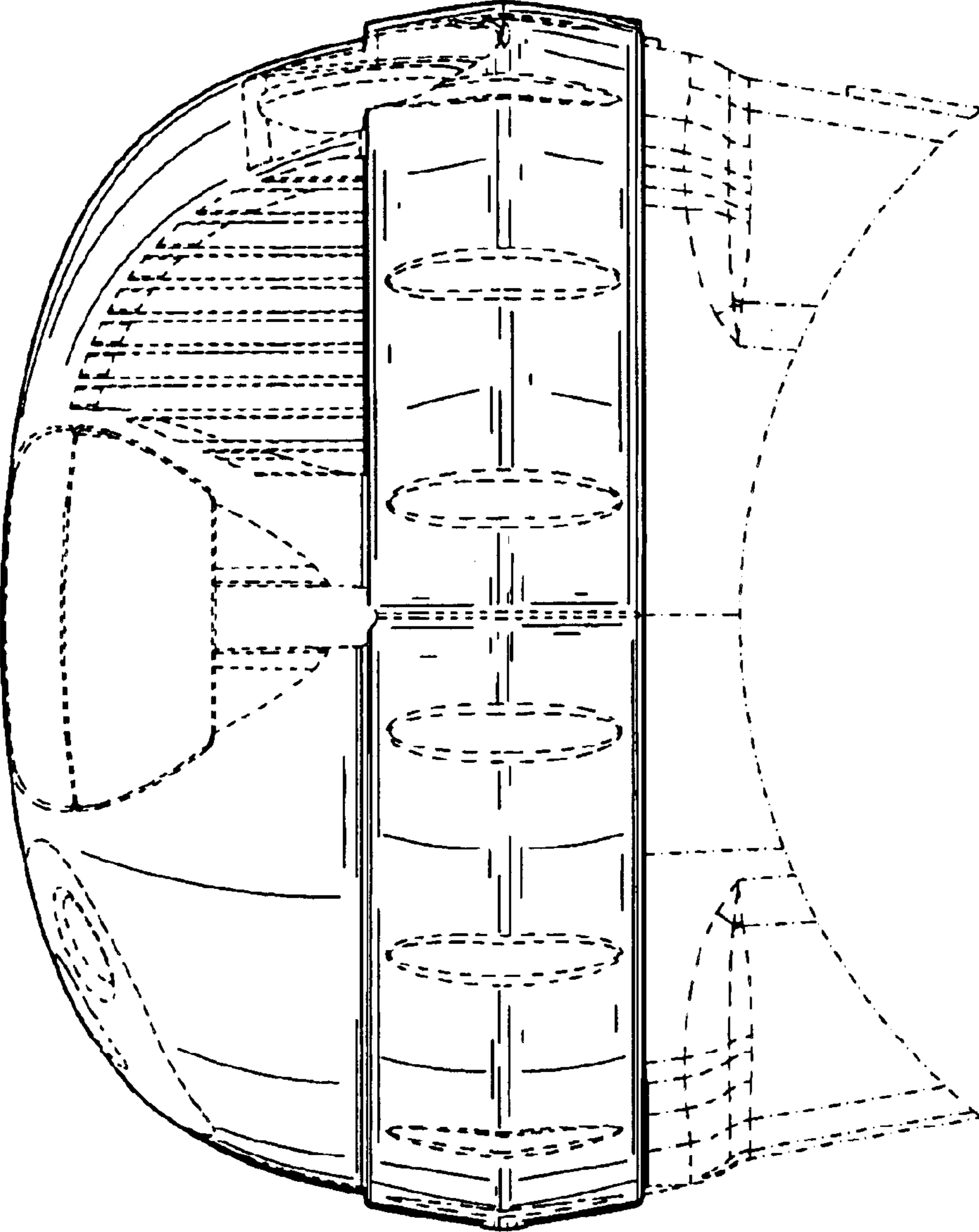


Fig.8

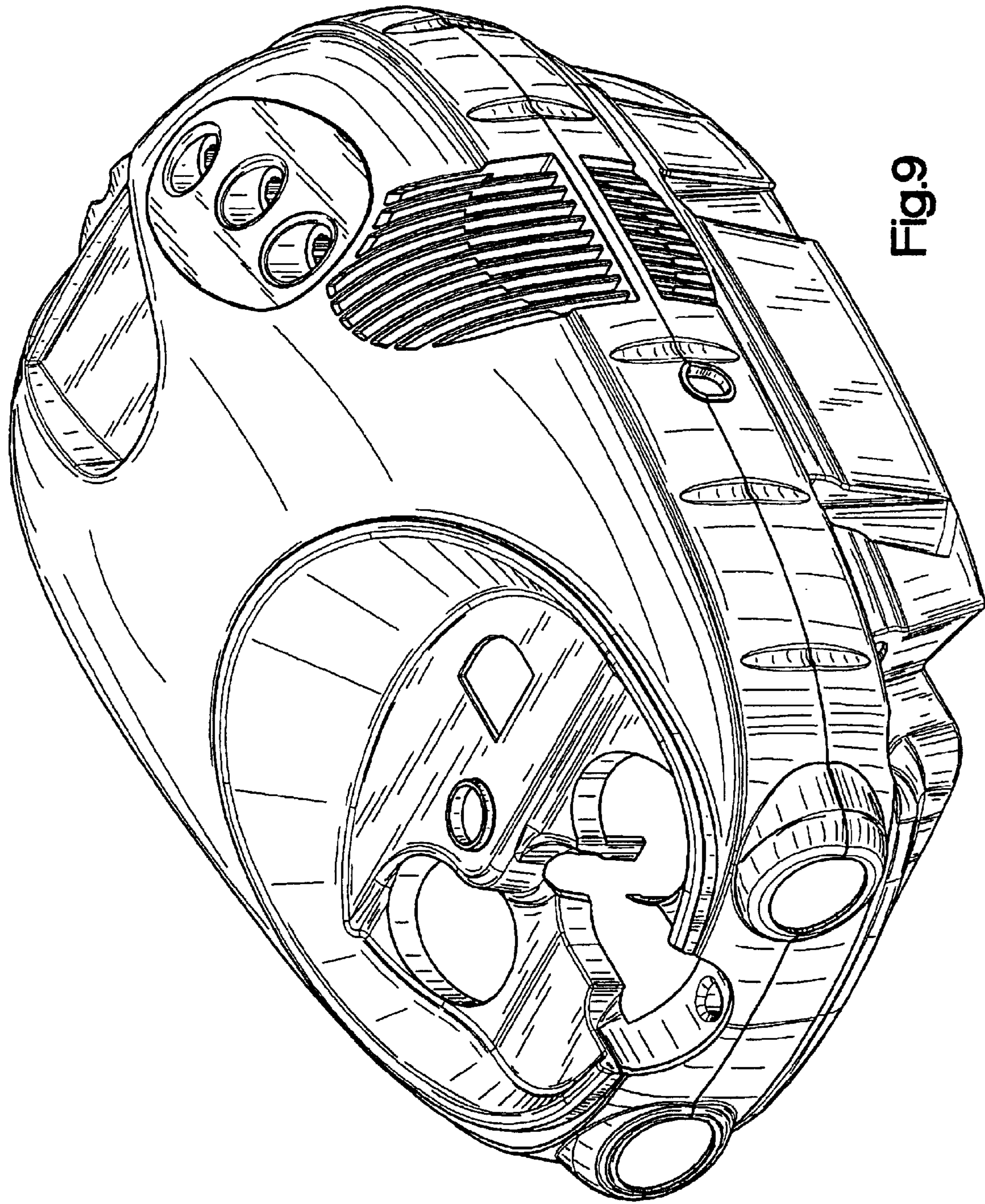


Fig.9

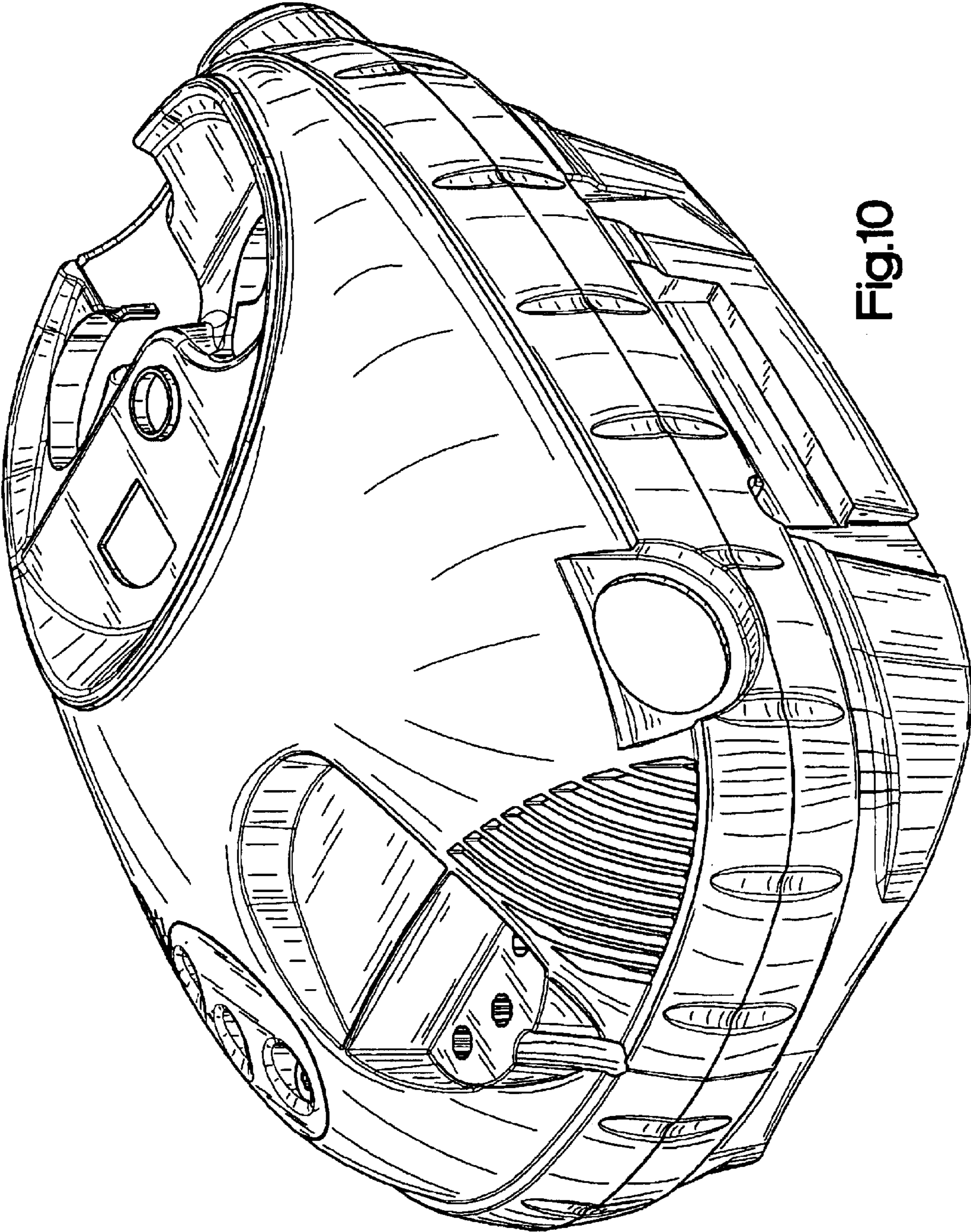


Fig.10

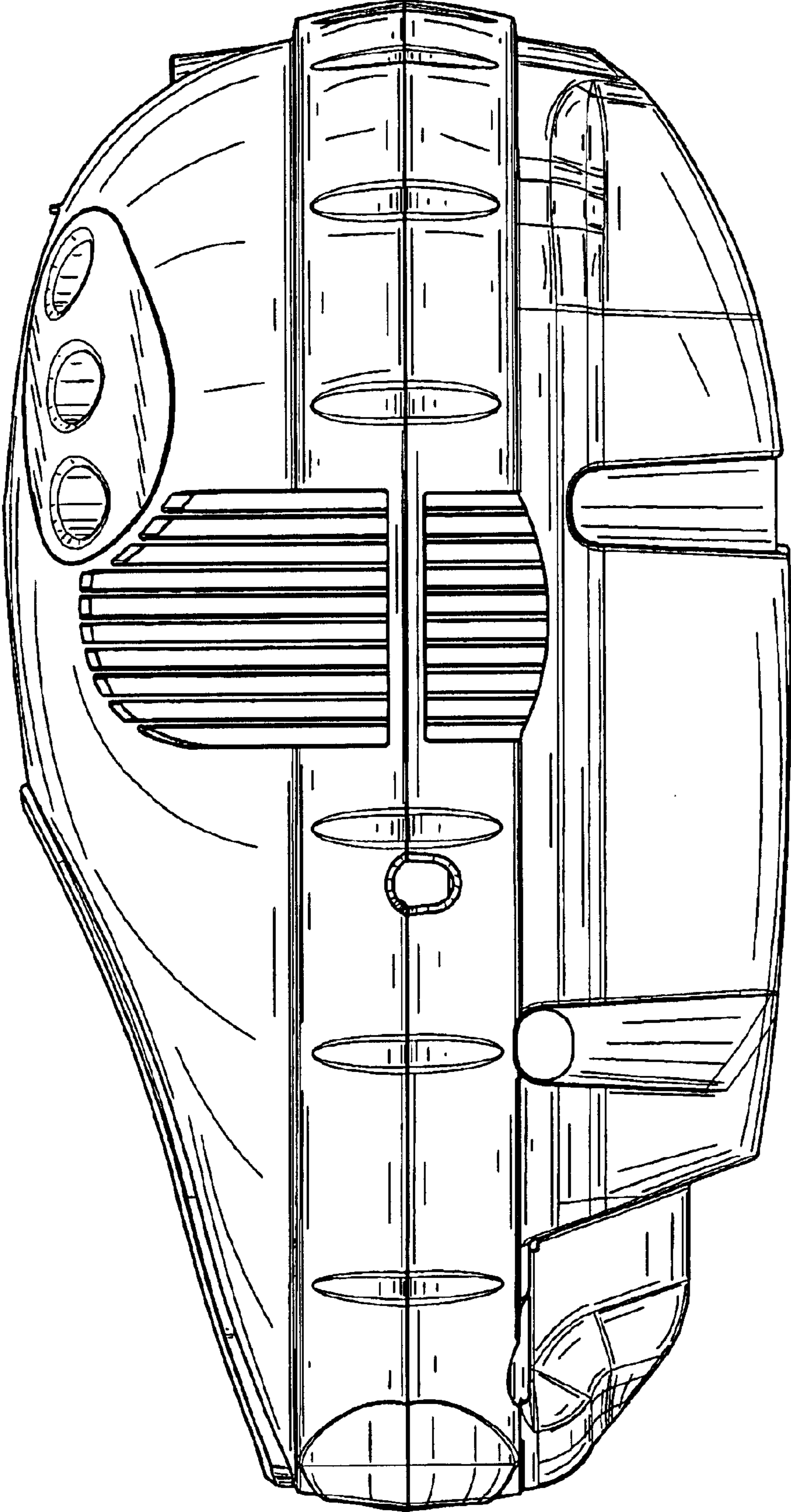


Fig.11

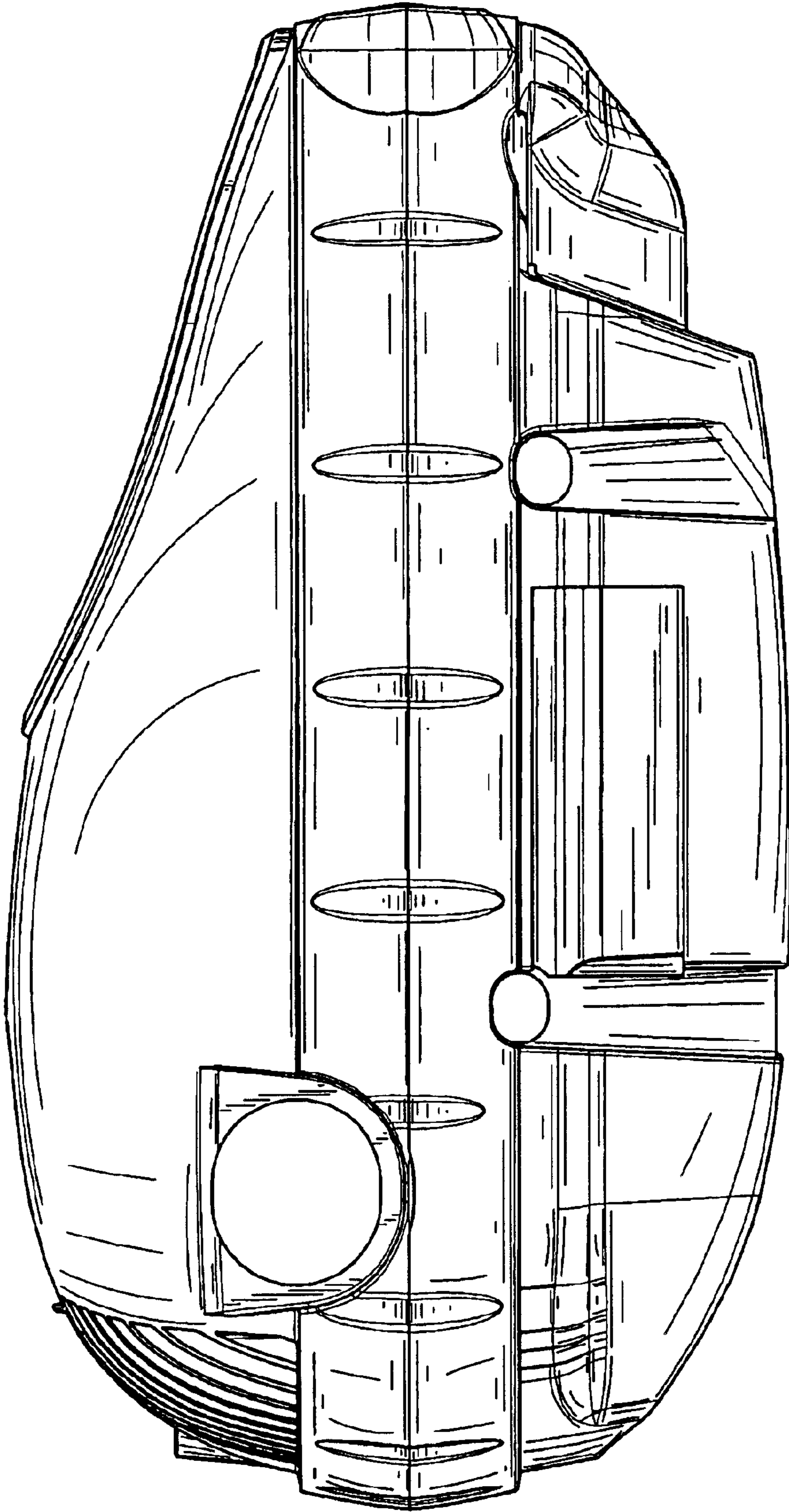


Fig.12

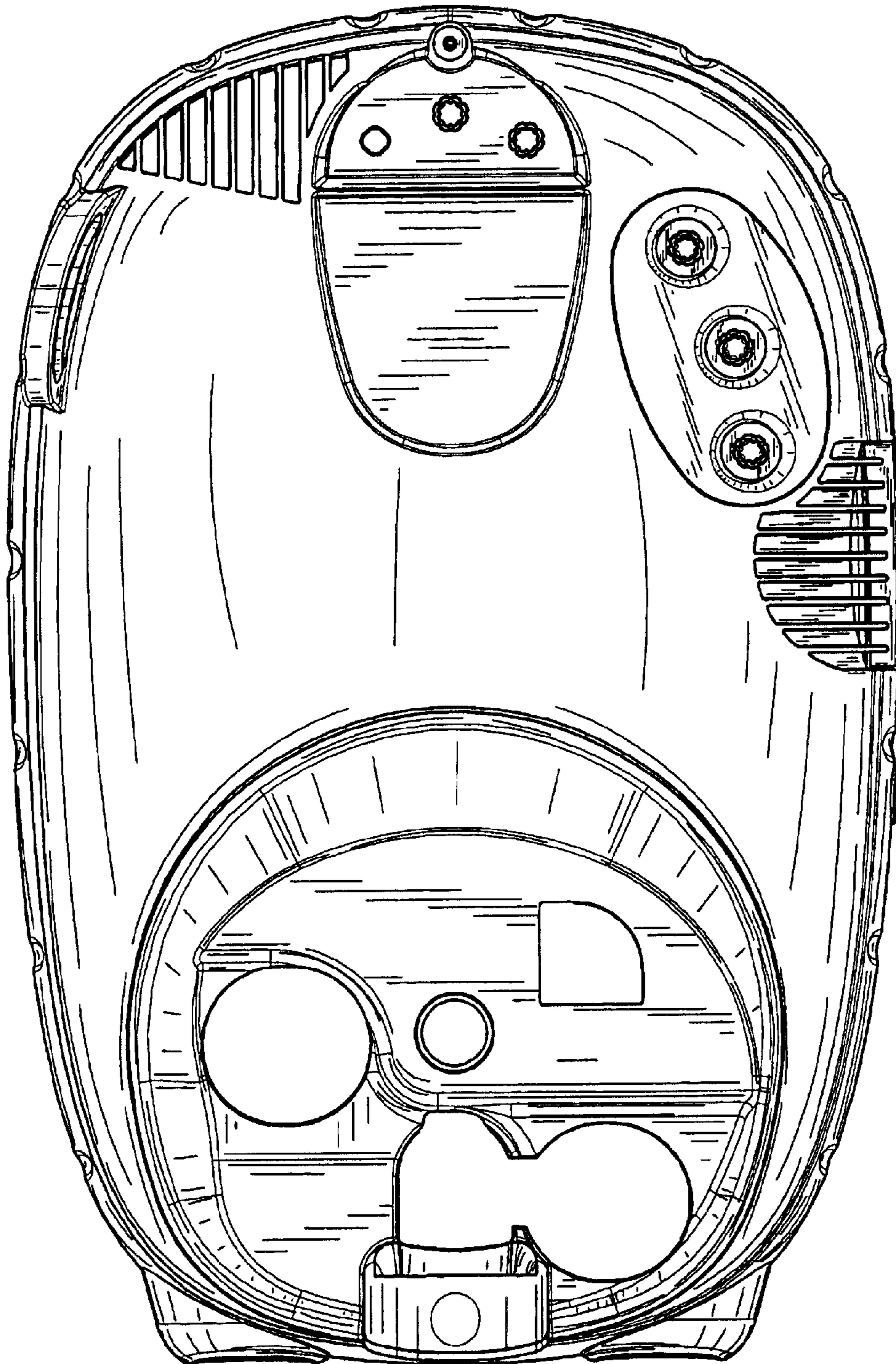


Fig.13

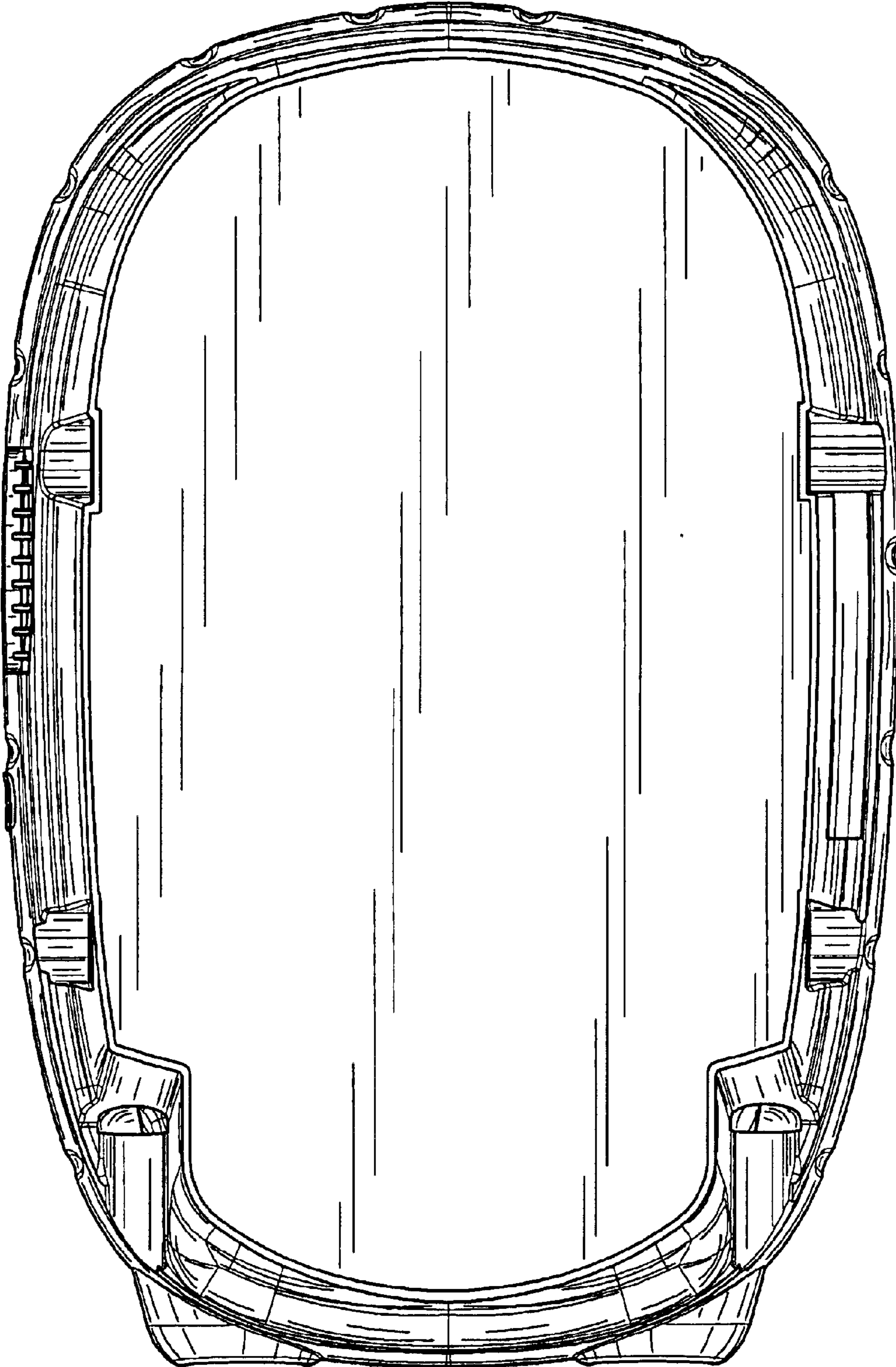


Fig.14

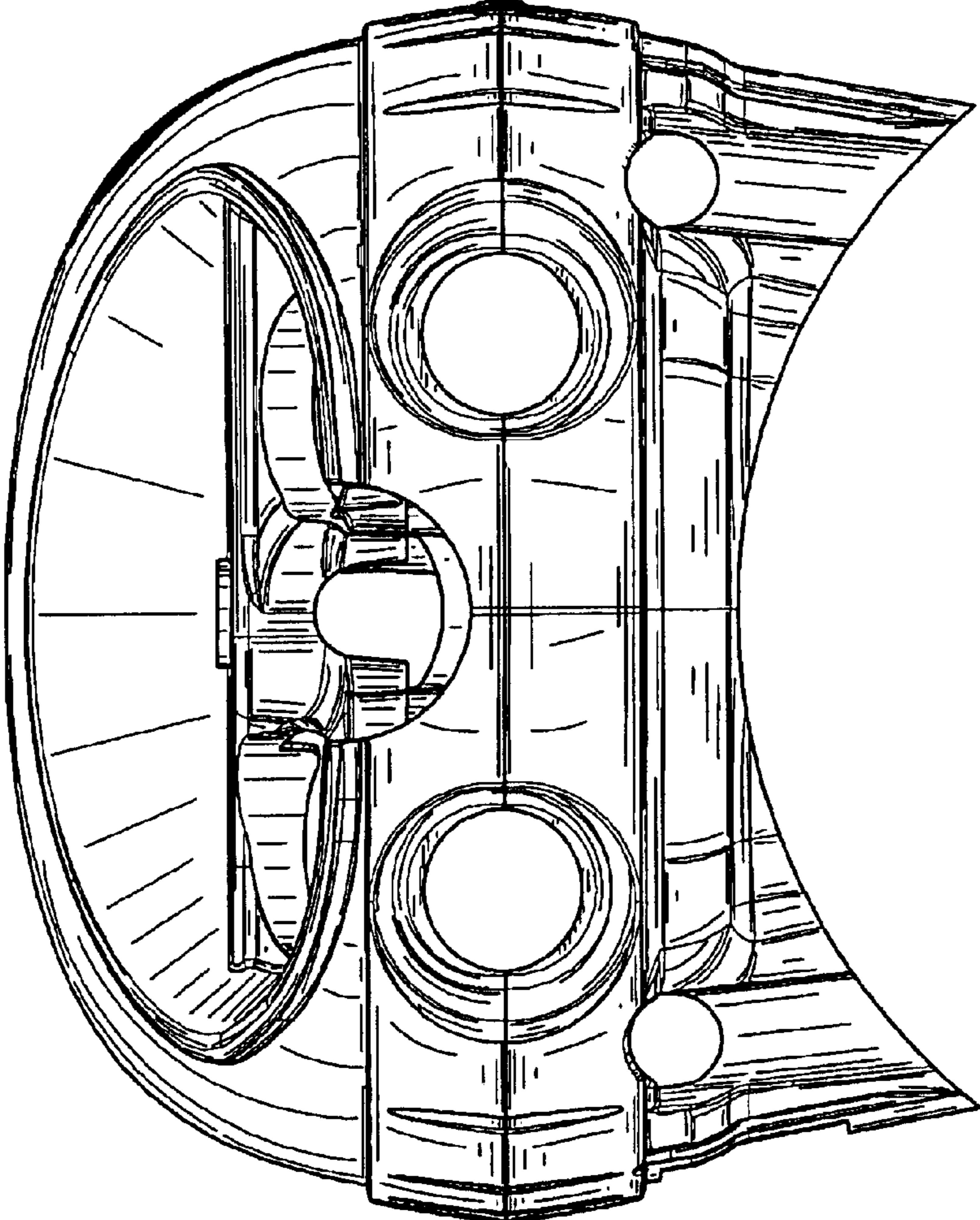


Fig.15

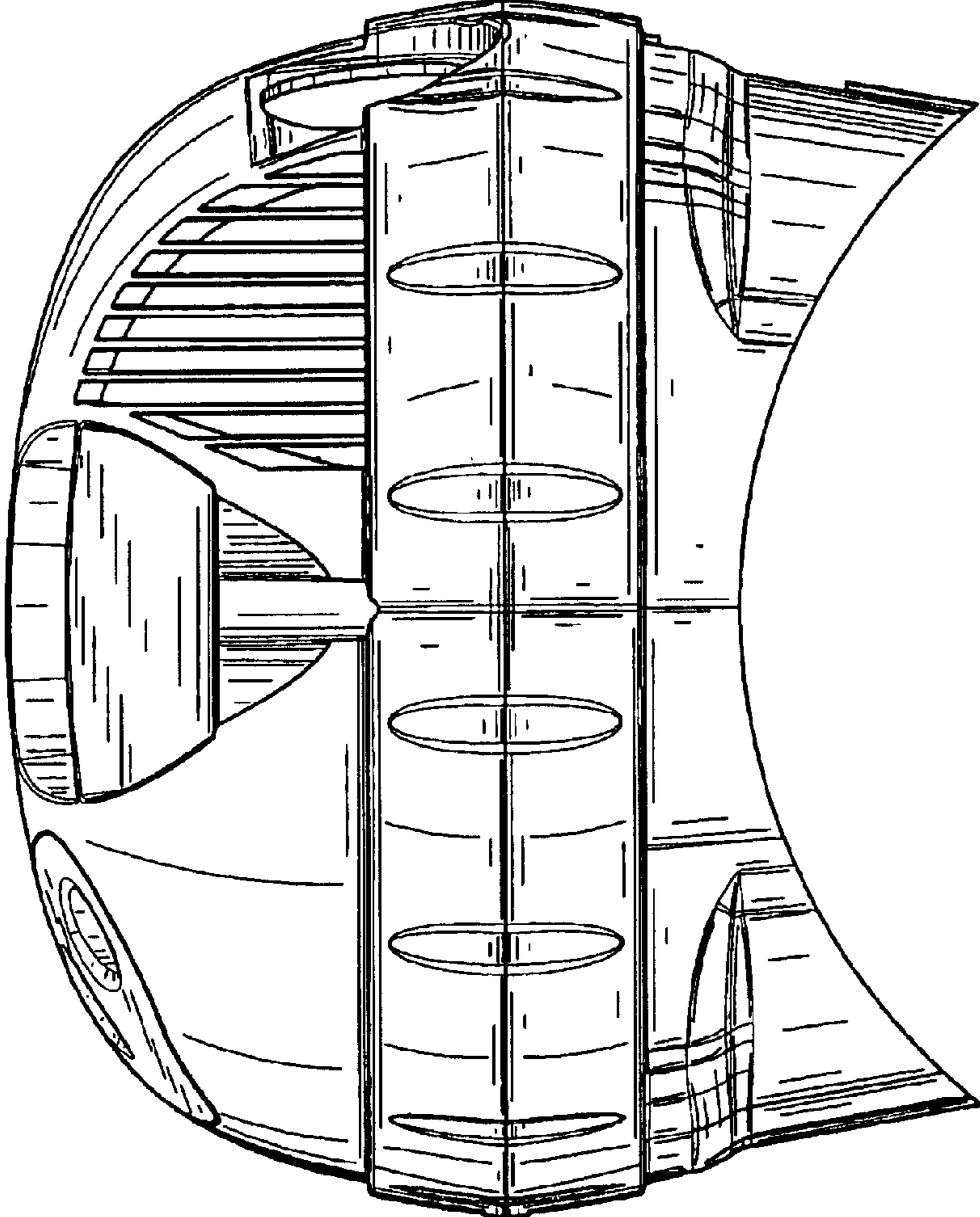


Fig.16