

US00D500764S

(12) **United States Design Patent**  
**Matsukawa**

(10) **Patent No.: US D500,764 S**  
(45) **Date of Patent: \*\* Jan. 11, 2005**

(54) **CASSETTE FOR TOYS**  
(75) **Inventor: Hiroyuki Matsukawa, Tokyo (JP)**  
(73) **Assignee: Takara Co., Ltd., Tokyo (JP)**  
(\*\*) **Term: 14 Years**

4,736,903 A \* 4/1988 Landry et al. .... 242/338.3  
D312,823 S \* 12/1990 LaCourt et al. .... D14/476  
5,099,378 A \* 3/1992 Turgeon ..... 242/336  
D336,642 S \* 6/1993 Tanaka et al. .... D14/477  
D376,796 S \* 12/1996 Hirasawa ..... D14/476  
5,969,913 A \* 10/1999 Vanderheyden et al. .... 360/132

\* cited by examiner

(21) **Appl. No.: 29/197,522**  
(22) **Filed: Jan. 15, 2004**  
(30) **Foreign Application Priority Data**

*Primary Examiner*—Prabhakar Deshmukh

Jul. 15, 2003 (JP) ..... 2003-020354

(57) **CLAIM**

(51) **LOC (7) Cl. .... 14-99**  
(52) **U.S. Cl. .... D14/476**  
(58) **Field of Search .... D14/474-484;**  
242/348, 348.1, 348.2, 348.3, 348.4, 322,  
600; 360/131-134; 463/43-47

I claim the ornamental design for cassette for toys, as shown and described.

**DESCRIPTION**

(56) **References Cited**

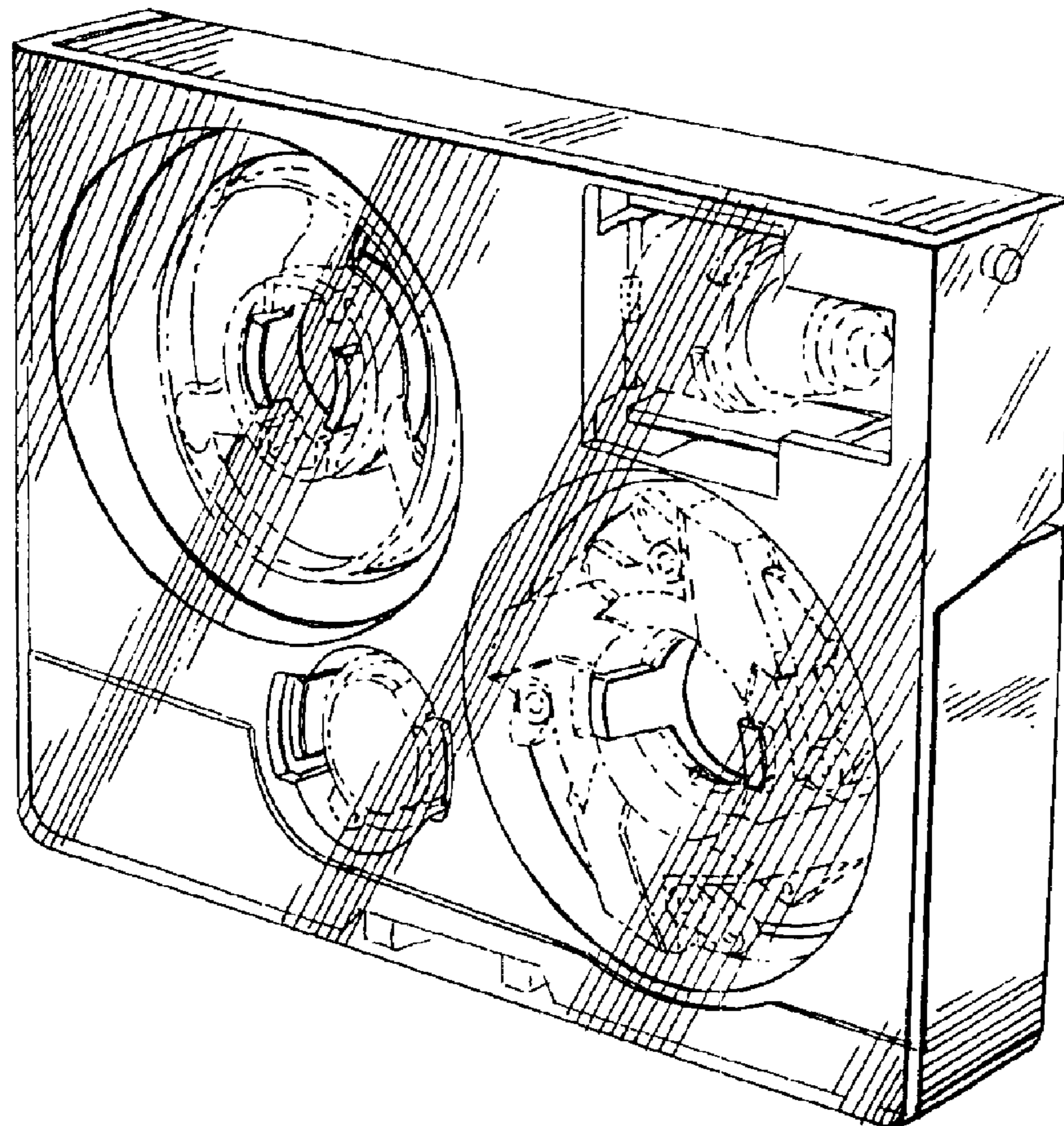
FIG. 1 is a front perspective view of the of the cassette for toys showing the new design;  
FIG. 2 is a front elevated view thereof;  
FIG. 3 is a rear elevated view thereof;  
FIG. 4 is a top plan view thereof;  
FIG. 5 is a bottom plan view thereof;  
FIG. 6 is a left side view thereof; and,  
FIG. 7 is a right side view thereof.

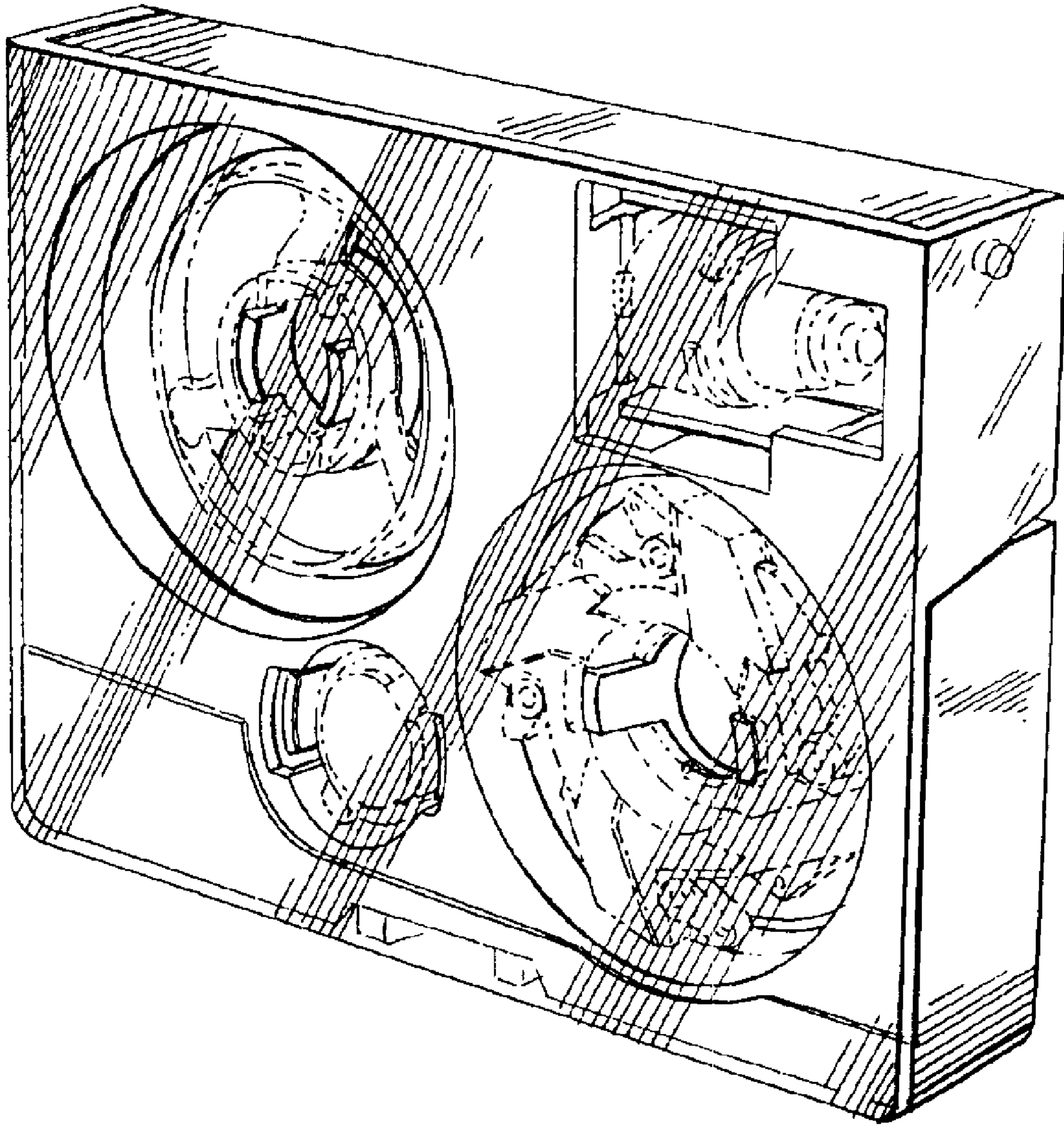
**U.S. PATENT DOCUMENTS**

D237,623 S \* 11/1975 Morgan ..... D14/475  
D255,676 S \* 7/1980 McGuire ..... D14/476  
4,604,671 A \* 8/1986 Oishi ..... 242/343  
D286,630 S \* 11/1986 Kisanuki ..... D14/476

The broken lines in FIG. 1 are for illustrative purpose only and form no part of the claimed design.

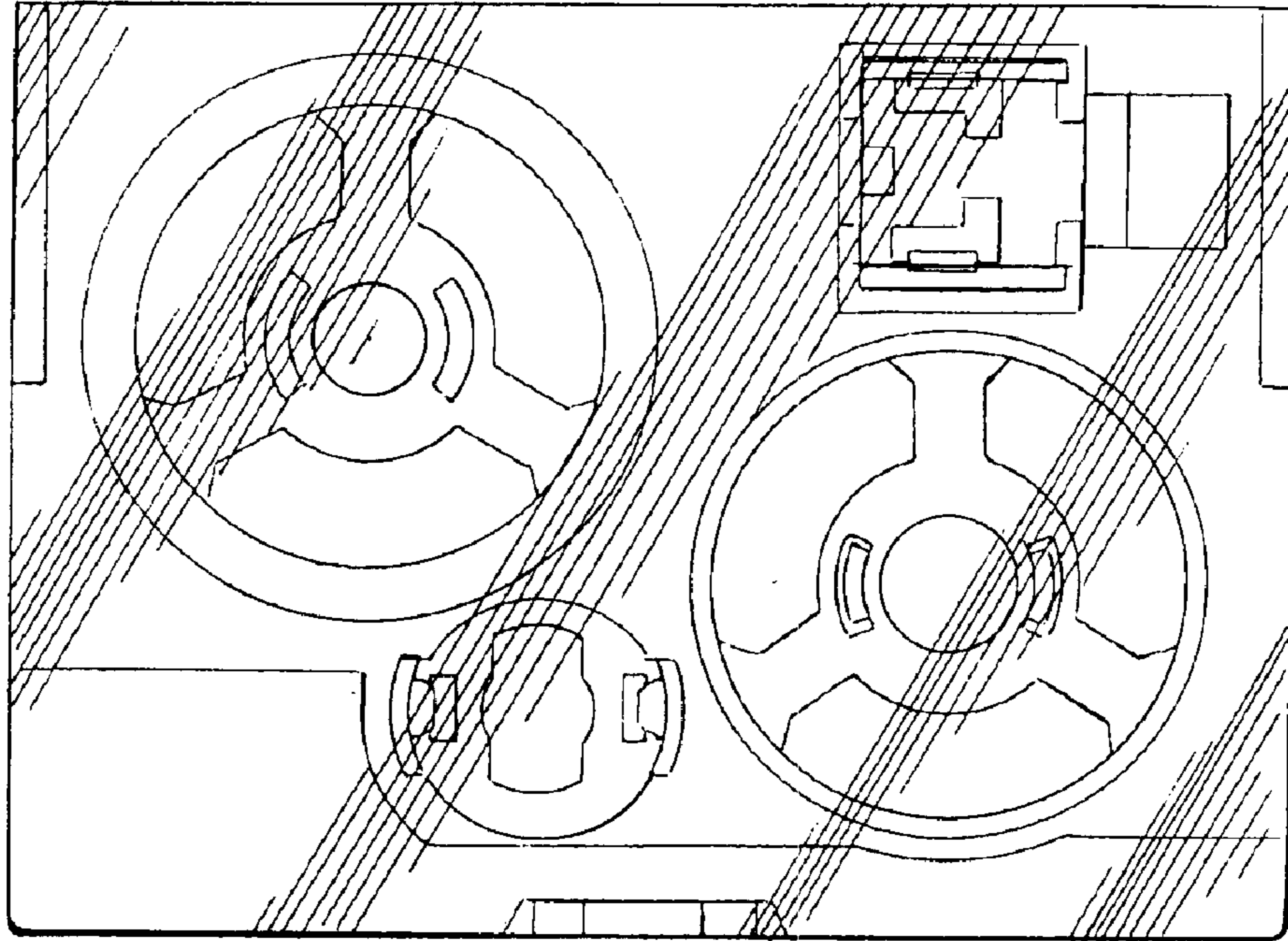
**1 Claim, 4 Drawing Sheets**



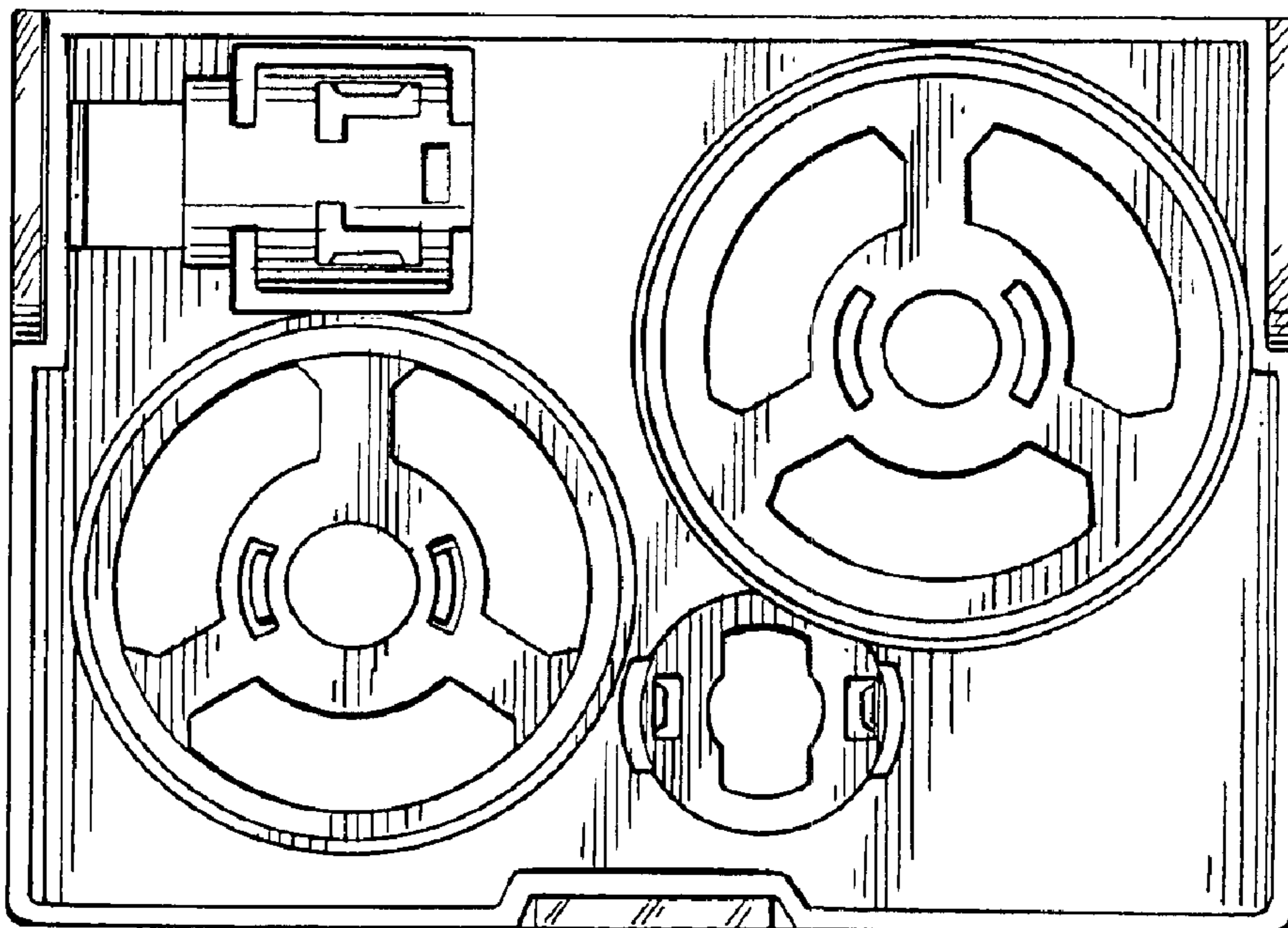


*FIG. 1*

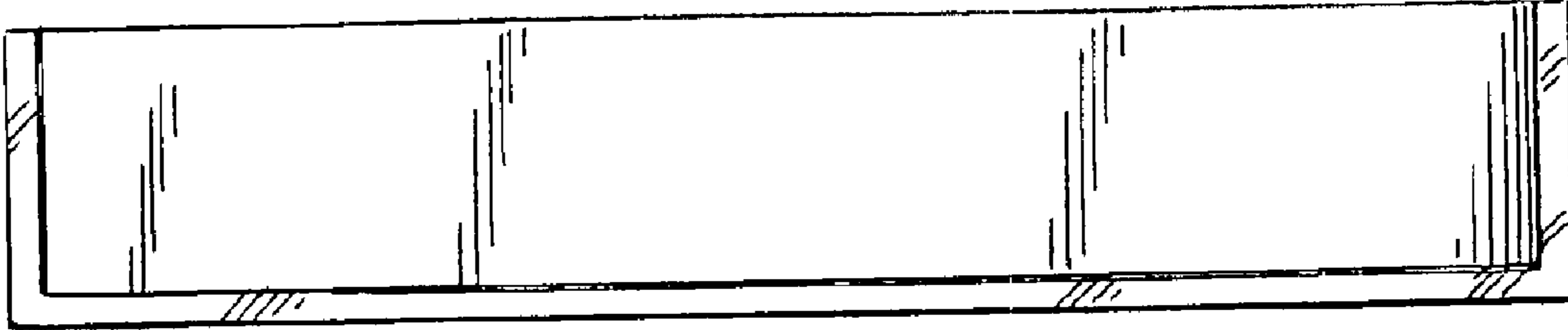
*FIG. 2*



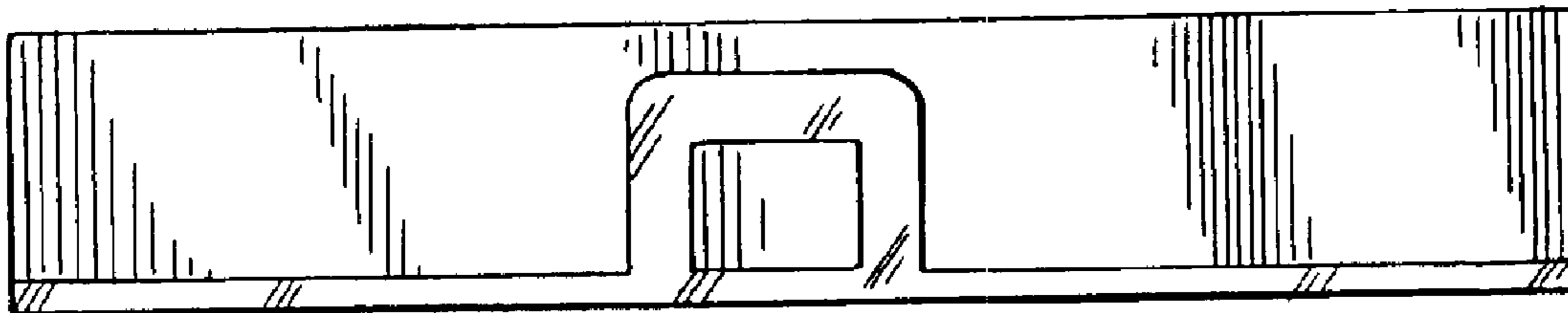
*FIG. 3*



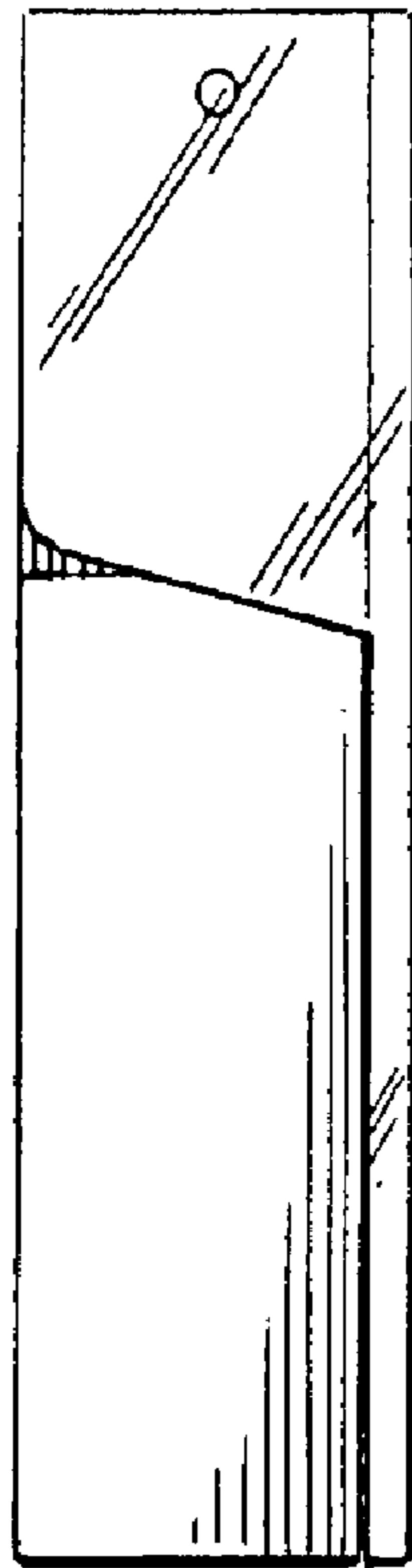
*FIG. 4*



*FIG. 5*



*FIG. 6*



*FIG. 7*

