

US00D500761S

(12) **United States Design Patent**  
**Roatis et al.**

(10) **Patent No.: US D500,761 S**  
(45) **Date of Patent: \*\* Jan. 11, 2005**

- (54) **SECURITY COVER FOR VENDING MACHINE ELECTRONIC LOCKING MOTOR DRIVE**
- (75) Inventors: **Calin V. Roatis**, Long Grove, IL (US);  
**Richard Paeth**, St. Charles, IL (US);  
**Catalin Captarenco**, Wheeling, IL (US);  
**Gary Myers**, Monee, IL (US);  
**Bill Denison**, Lake Zurich, IL (US)

- 5,918,491 A \* 7/1999 Maxwell et al. .... 292/205
- 5,975,595 A \* 11/1999 Lorenzo ..... 292/205
- 6,082,519 A 7/2000 Martin et al.
- 6,125,989 A 10/2000 Oden
- 6,230,426 B1 5/2001 Fakhoury et al.
- 6,371,581 B1 4/2002 Ring et al.
- 6,439,008 B1 \* 8/2002 Keil ..... 70/56
- 6,571,931 B2 6/2003 Oden
- 6,578,393 B2 \* 6/2003 Yarborough ..... 70/56
- D492,573 S \* 7/2004 Karamanos et al. .... D8/330

(73) Assignee: **TriTeq Lock and Security L.L.C.**, Elk Grove, IL (US)

(\*\*) Term: **14 Years**

(21) Appl. No.: **29/198,851**

(22) Filed: **Feb. 5, 2004**

(51) **LOC (7) Cl.** ..... **08-07**

(52) **U.S. Cl.** ..... **D14/346**

(58) **Field of Search** ..... D8/330, 334, 343,  
D8/346; 70/51, 54, 55, 158, 160, 258, 413,  
DIG. 56; 312/249.1, 293.1, 293.3, 138.1

(56) **References Cited**

**U.S. PATENT DOCUMENTS**

- 4,326,620 A 4/1982 Felix et al.
- 4,405,161 A \* 9/1983 Young et al. .... 285/80
- 4,718,547 A 1/1988 MacTavish
- D302,237 S \* 7/1989 O'Day ..... D8/330
- 5,081,568 A 1/1992 Dong et al.
- 5,117,538 A 6/1992 Henry
- 5,263,344 A \* 11/1993 Madison ..... 70/164
- 5,390,515 A 2/1995 Essick
- D363,874 S \* 11/1995 Crane ..... D8/346
- 5,601,177 A 2/1997 Oden
- D390,444 S \* 2/1998 Wintrone ..... D8/337

**OTHER PUBLICATIONS**

Printout from the internet, [www.dixienarco.com/pepsi/pc\\_highsecurity\\_emodel\\_info](http://www.dixienarco.com/pepsi/pc_highsecurity_emodel_info), on "Pepsi Security" Door, printed Apr. 2, 2003.

\* cited by examiner

*Primary Examiner*—Prabhakar Deshmukh

(74) *Attorney, Agent, or Firm*—Leydig, Voit & Mayer, Ltd.

(57) **CLAIM**

The ornamental design for a security cover for vending machine electronic locking motor drive, substantially as shown and described.

**DESCRIPTION**

FIG. 1 is a right front perspective view of a security cover for vending machine electronic locking motor drive showing our new design;  
FIG. 2 is a left rear perspective view thereof;  
FIG. 3 is a top plan view thereof;  
FIG. 4 is a left side view thereof;  
FIG. 5 is a right side view thereof;  
FIG. 6 is a rear view thereof; and,  
FIG. 7 is a bottom plan view thereof.

**1 Claim, 2 Drawing Sheets**

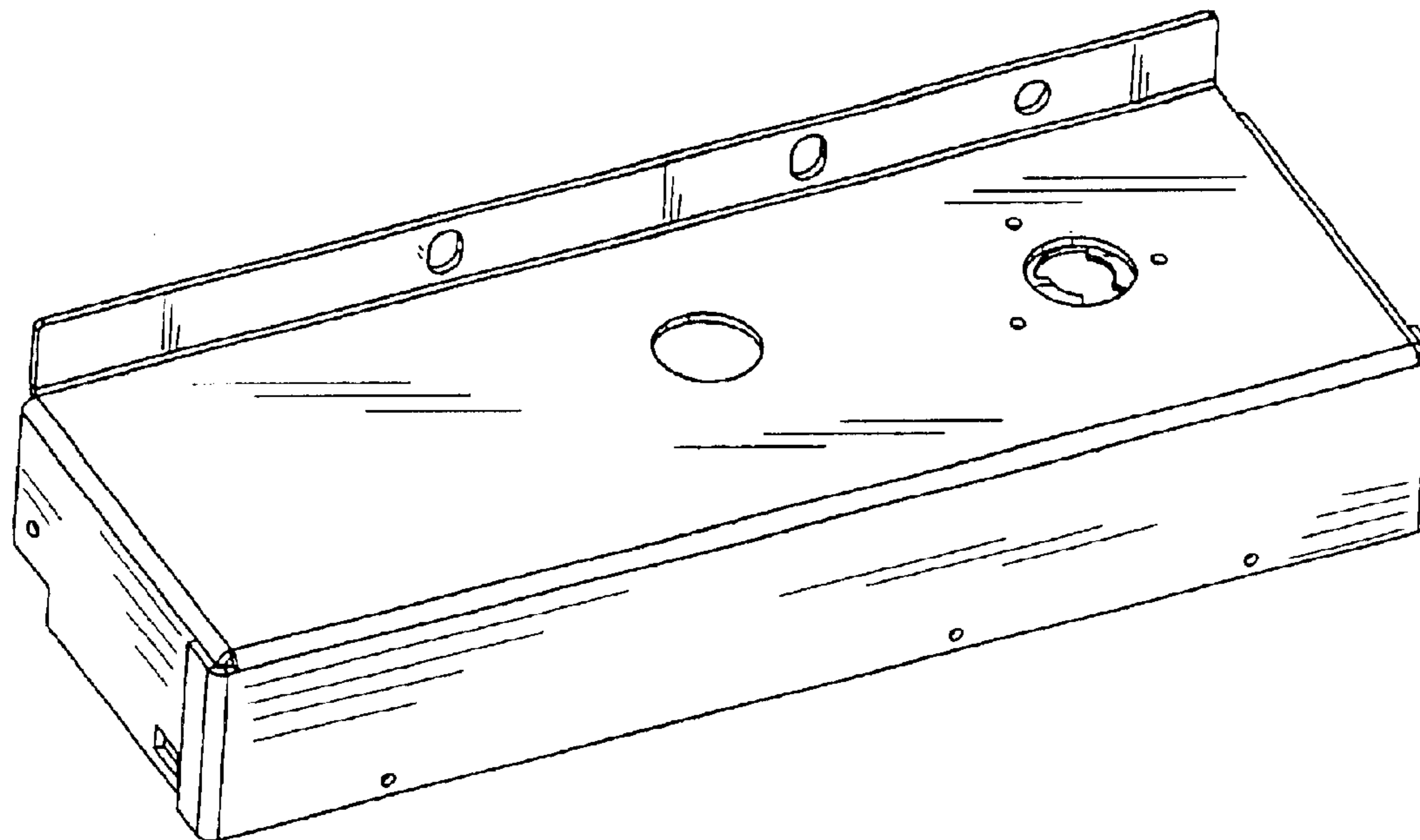


FIG. 1

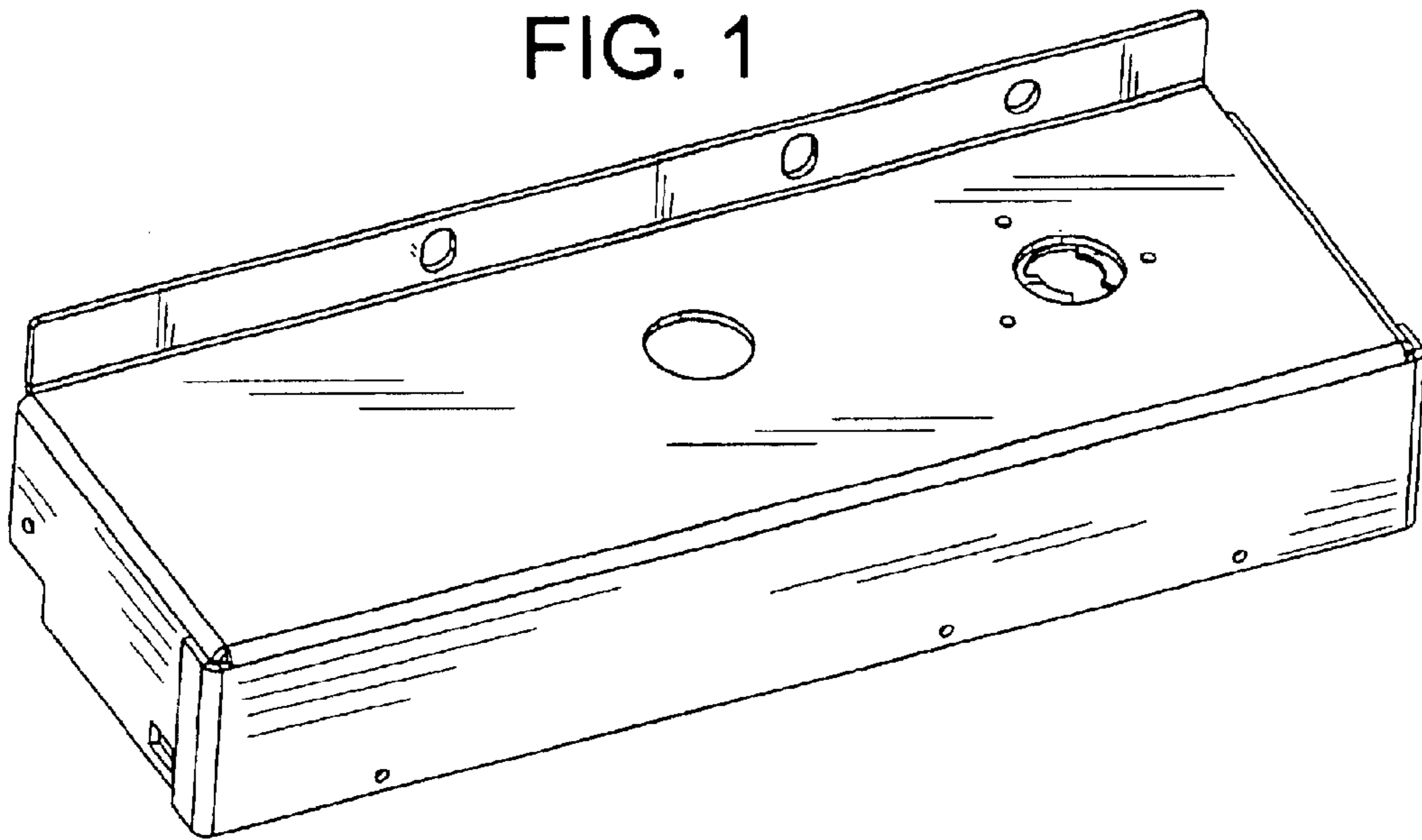


FIG. 2

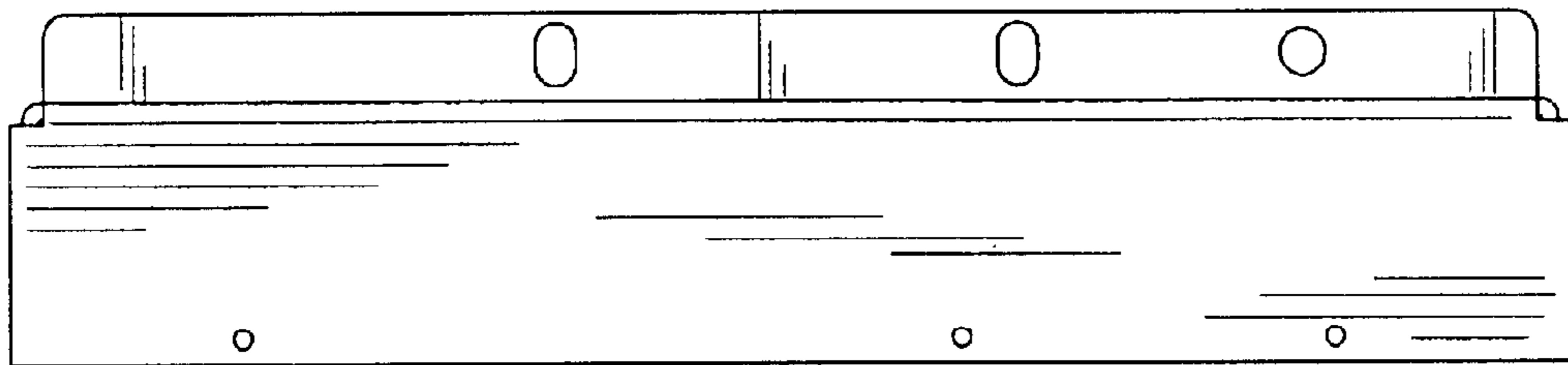


FIG. 3

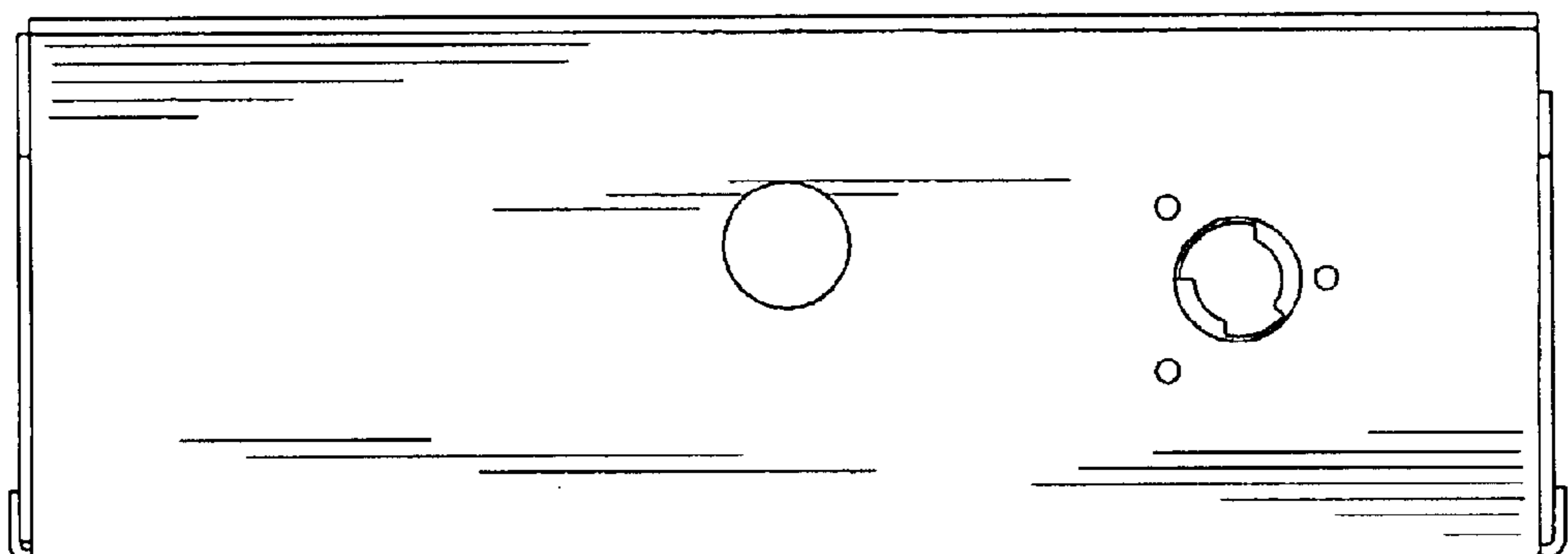


FIG. 4

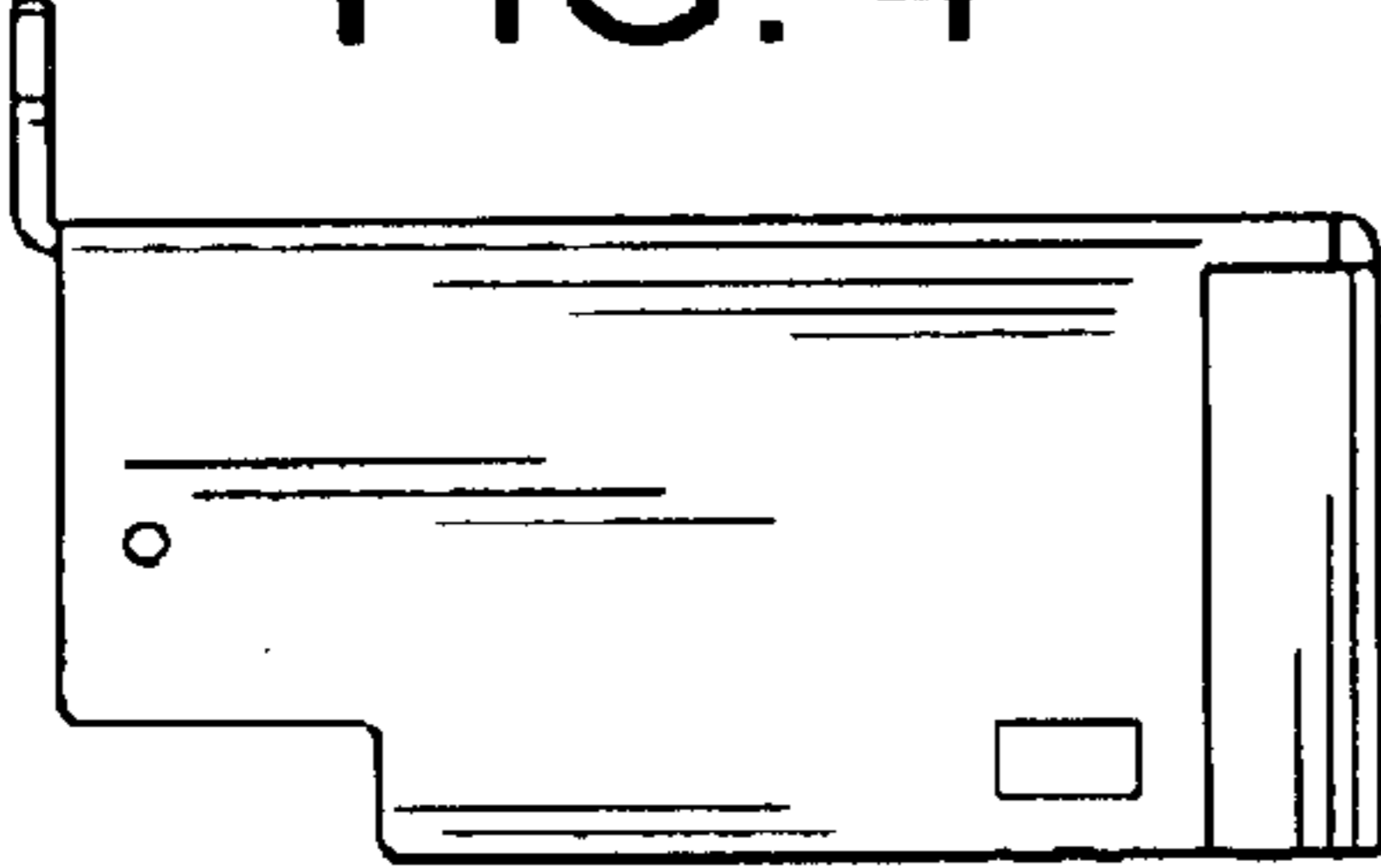


FIG. 5

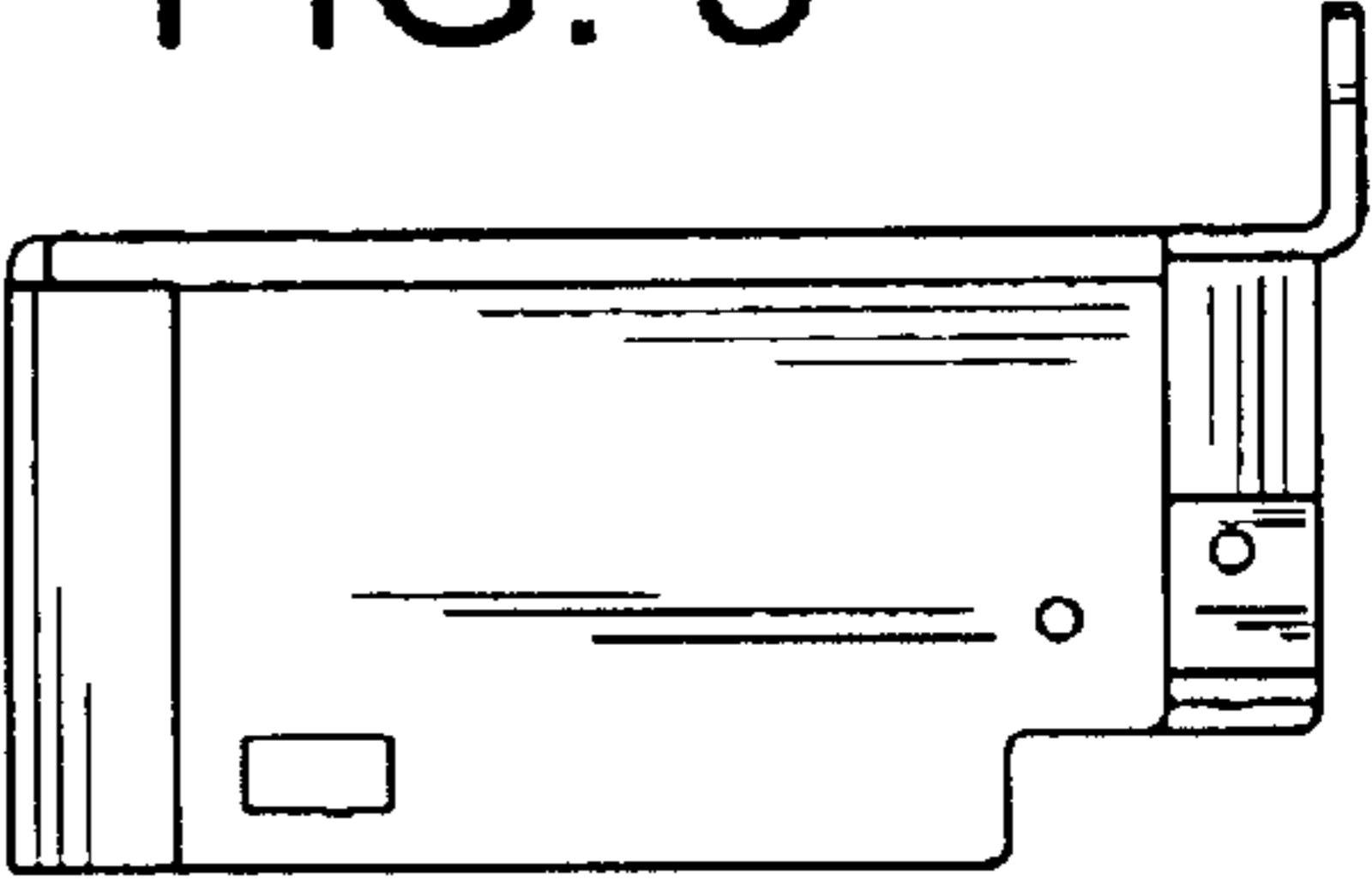


FIG. 6

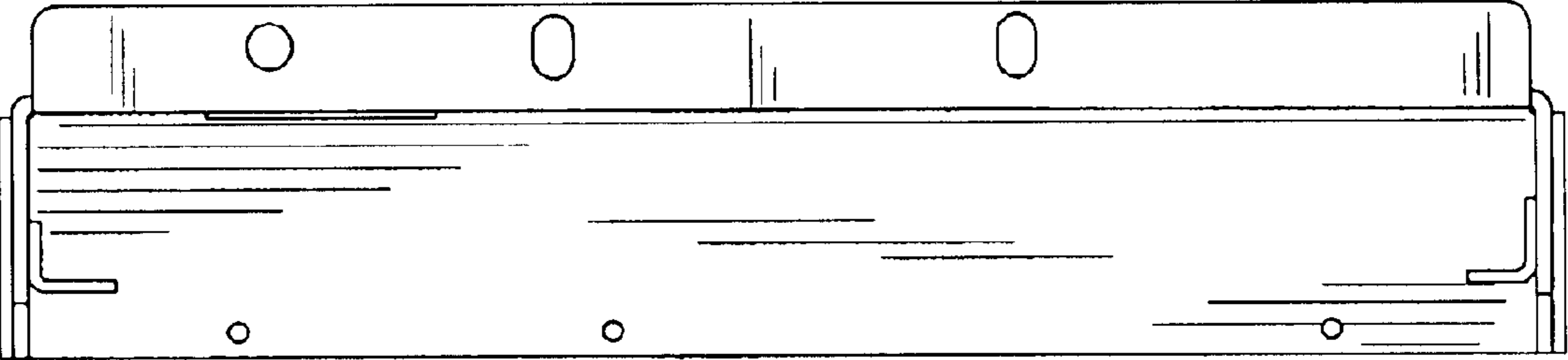


FIG. 7

