

US00D500760S

(12) **United States Design Patent**
Kirii et al.

(10) **Patent No.: US D500,760 S**
(45) **Date of Patent: ** Jan. 11, 2005**

(54) **APPARATUS FOR READING OPTICAL DISC**

D276,517 S * 11/1984 Dekker et al. D14/260
4,607,302 A * 8/1986 Sugihara 360/96.1
D443,874 S * 6/2001 Asaga et al. D14/260

(75) Inventors: **Atsushi Kirii**, Yamagata (JP); **Keiichi Sato**, Yamagata (JP); **Yoshimi Hanaika**, Yamagata (JP); **Wataru Minoya**, Yamagata (JP)

* cited by examiner

(73) Assignee: **Mitsumi Electric Co., Ltd.**, Tokyo (JP)

Primary Examiner—Nanda Bondade
(74) *Attorney, Agent, or Firm*—Sughrue Mion, PLLC

(**) Term: **14 Years**

(57) **CLAIM**

(21) Appl. No.: **29/182,937**

The ornamental design for an apparatus for reading an optical disc, as shown.

(22) Filed: **Jun. 4, 2003**

DESCRIPTION

(30) **Foreign Application Priority Data**

Dec. 6, 2002 (JP) 2002-033841

FIG. 1 is a perspective view of the top, front and left side of an apparatus for reading an optical disc showing our new design;

(51) **LOC (7) Cl.** **14-99**

FIG. 2 is a perspective view of the bottom, front and right side thereof;

(52) **U.S. Cl.** **D14/260**

FIG. 3 is a left side elevational view thereof;

(58) **Field of Search** D14/156, 217,

FIG. 4 is a right side elevational view thereof;

D14/239, 260, 260.1, 261; 242/333.6, 356.4,

FIG. 5 is a front elevational view thereof;

356.7; 360/71, 74.2, 96.1; 369/44.15, 44.37,

FIG. 6 is a rear elevational view thereof;

112.24, 224-247, 263-264

FIG. 7 is a top plan view thereof; and,

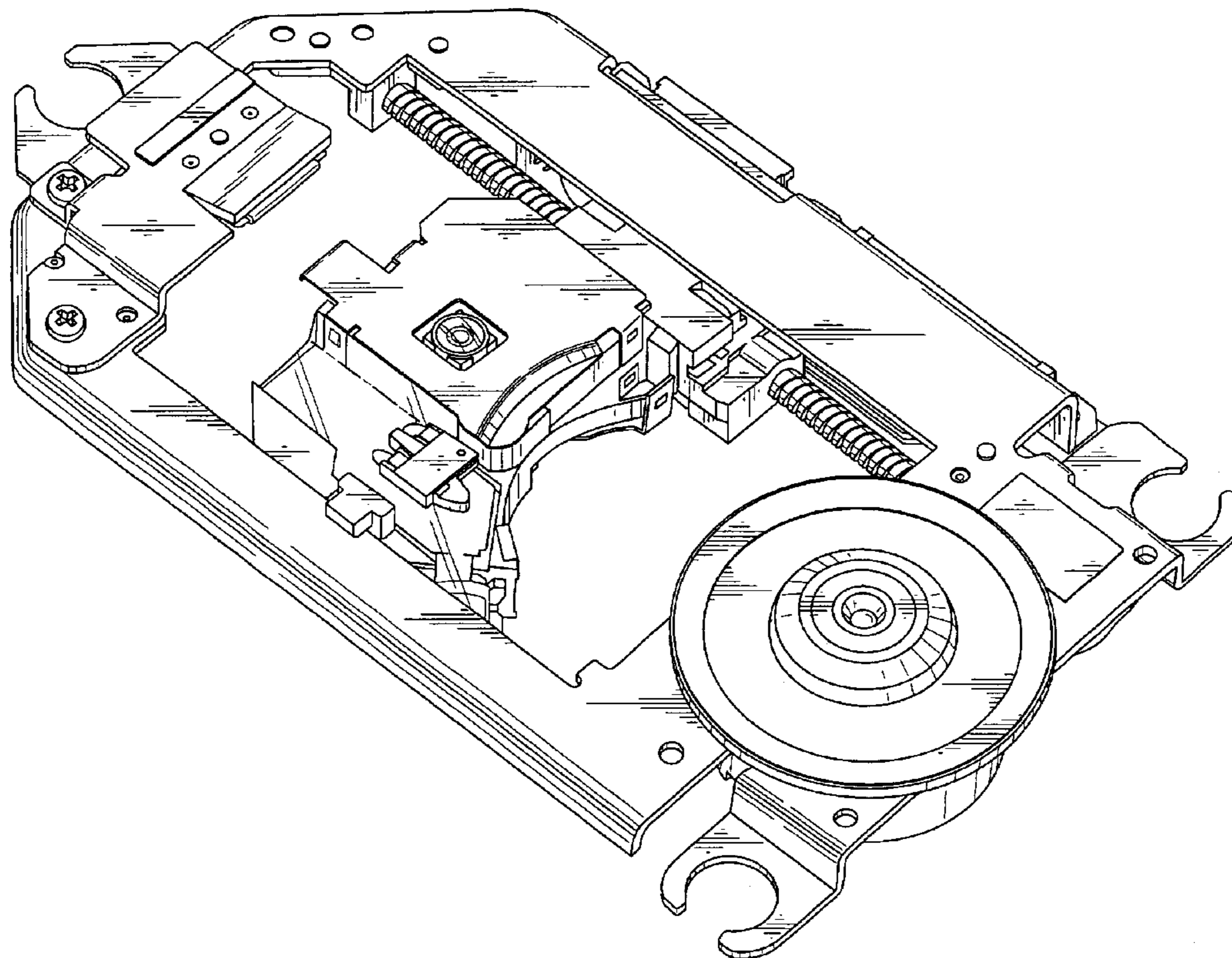
(56) **References Cited**

FIG. 8 is a bottom plan view thereof.

U.S. PATENT DOCUMENTS

4,386,381 A * 5/1983 Itai 242/356.4

1 Claim, 6 Drawing Sheets



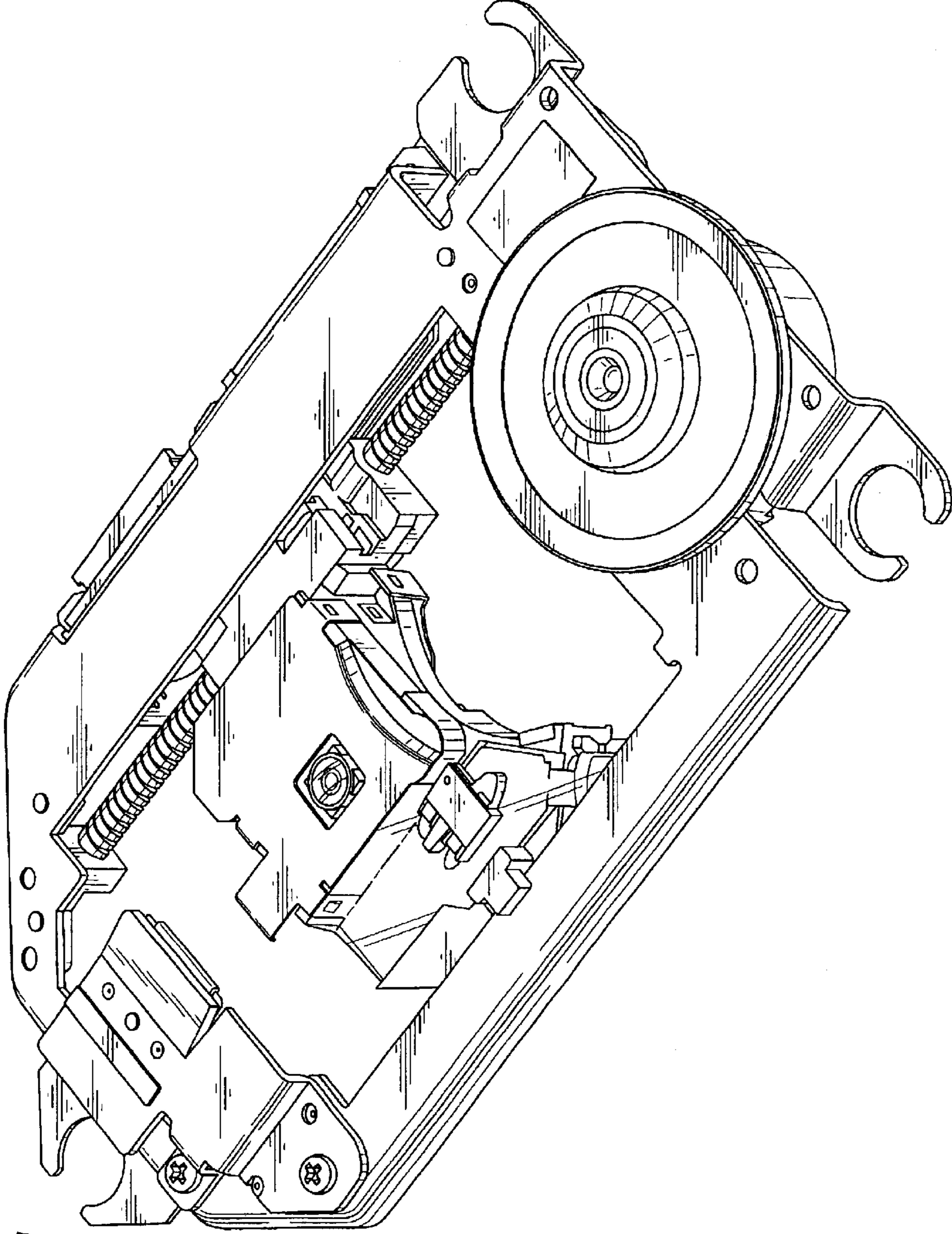


FIG. 1

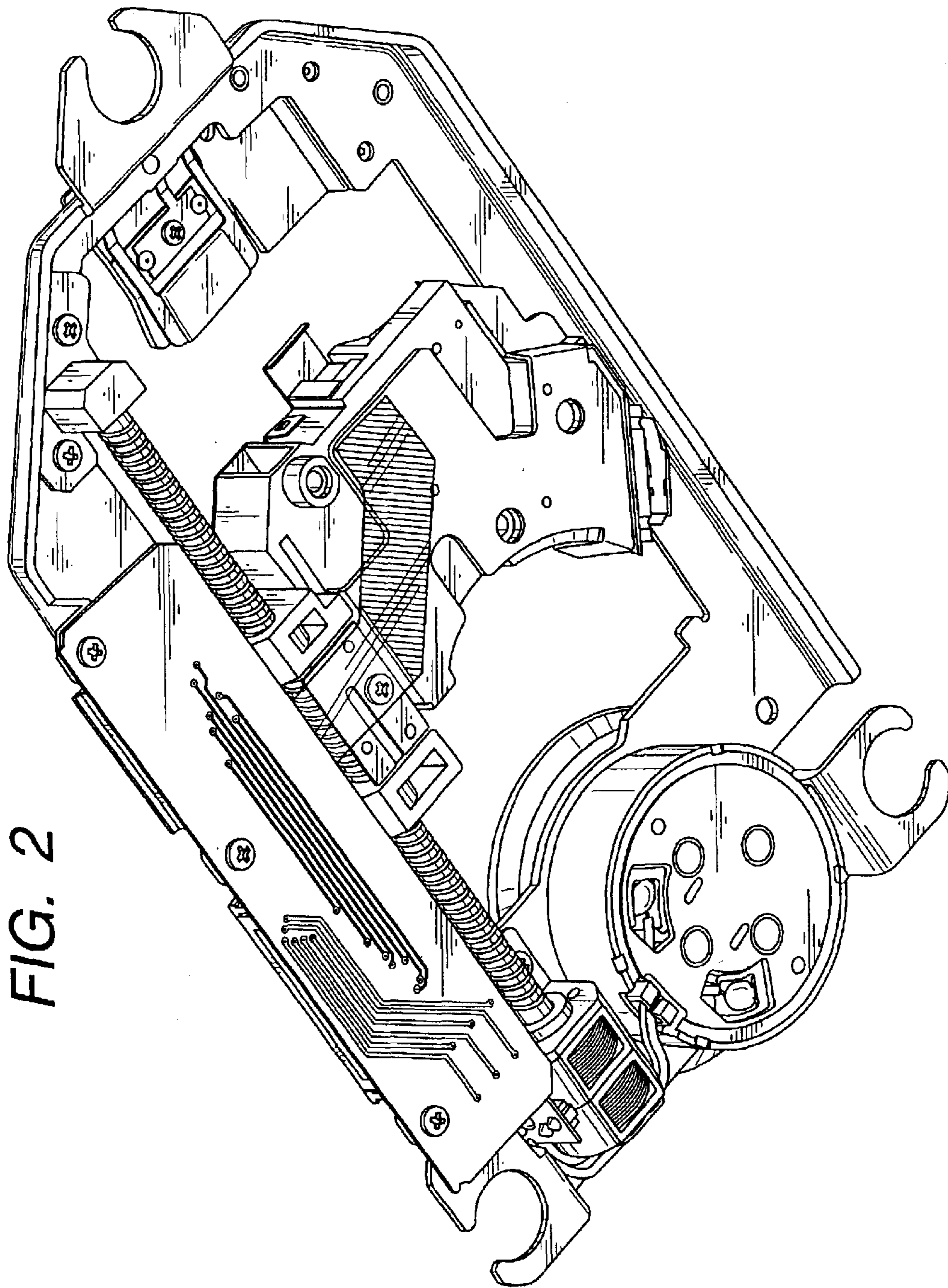


FIG. 2

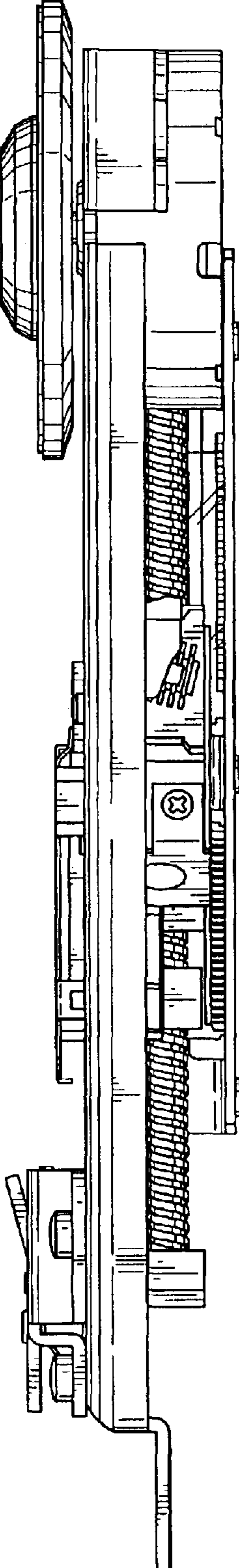


FIG. 3

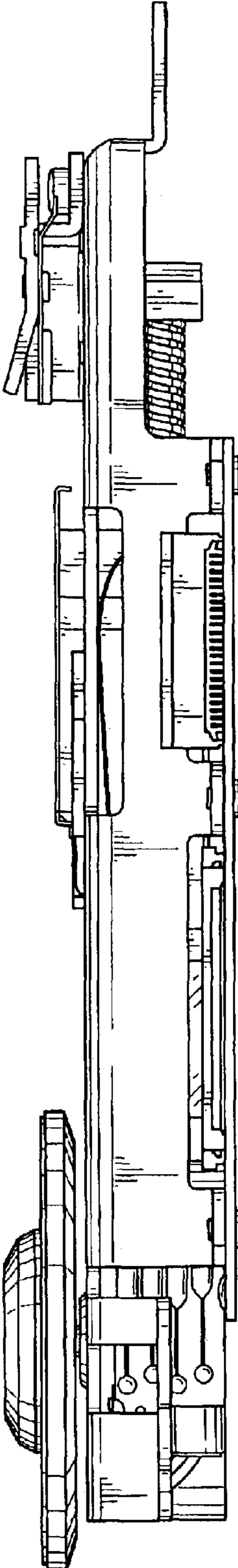


FIG. 4

FIG. 5

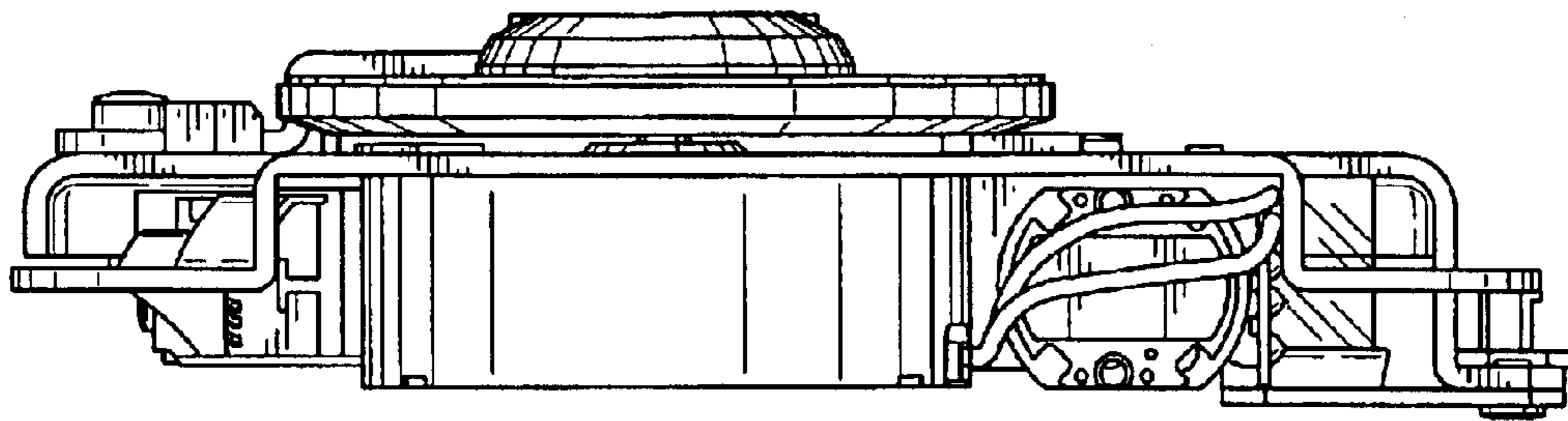


FIG. 6

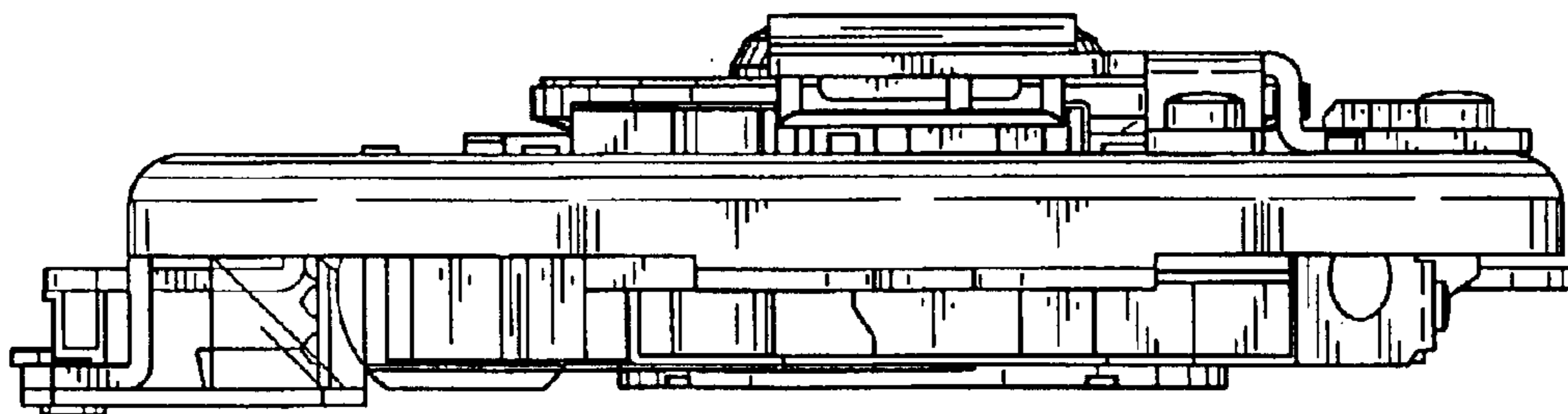


FIG. 7

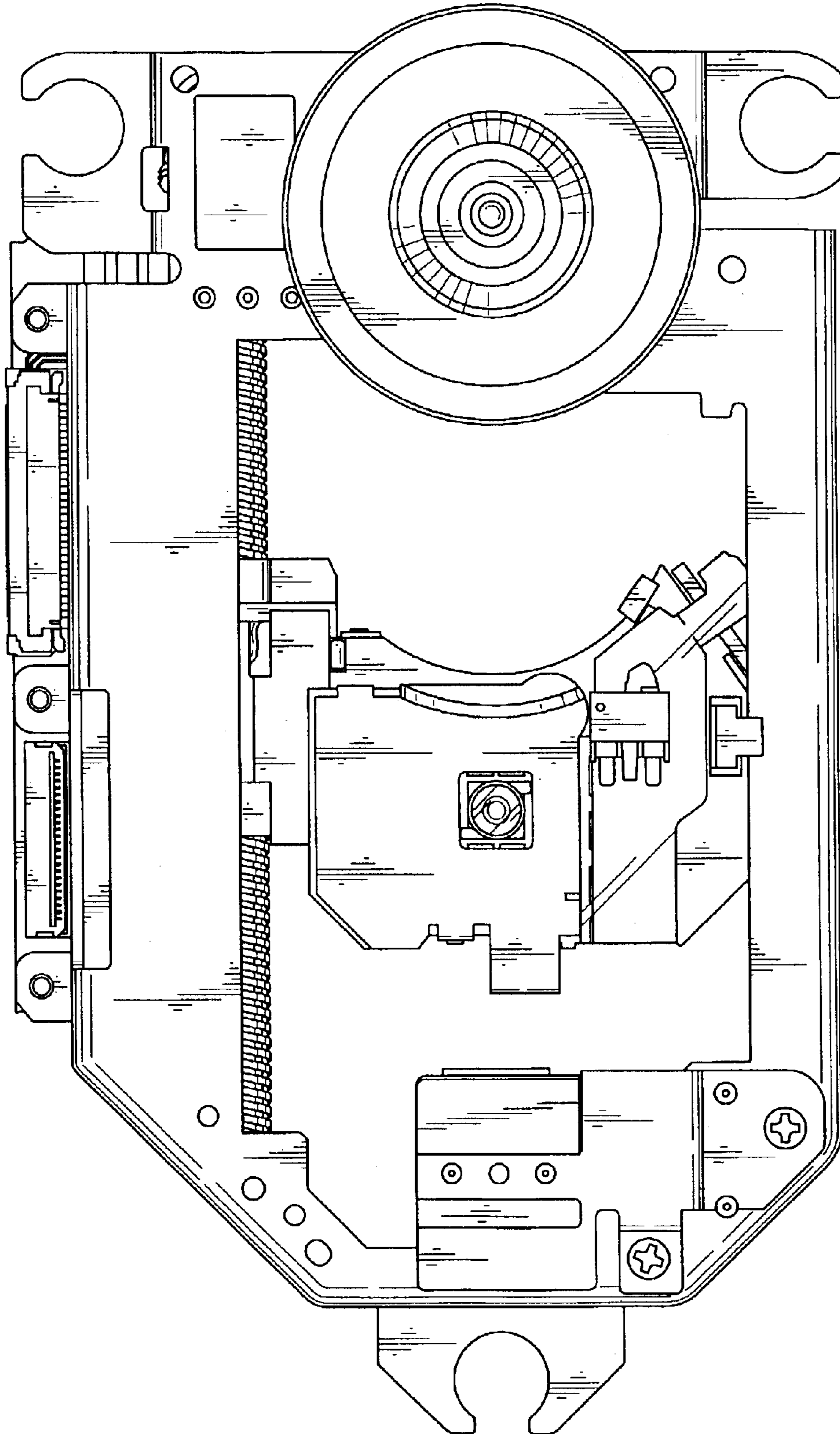


FIG. 8

