

US00D500756S

(12) **United States Design Patent**  
**Liang**

(10) **Patent No.:** **US D500,756 S**

(45) **Date of Patent:** **\*\* Jan. 11, 2005**

(54) **EXTRACTABLE MODULAR CARTRIDGE**

(75) **Inventor:** **Hsieh-Rong Liang**, Blvd.Fremont, CA (US)

(73) **Assignee:** **Atech Flash Technology Inc.**, Fremont, CA (US)

(\*\*) **Term:** **14 Years**

(21) **Appl. No.:** **29/177,445**

(22) **Filed:** **Mar. 11, 2003**

(51) **LOC (7) Cl.** ..... **14-02**

(52) **U.S. Cl.** ..... **D14/242; D14/435; D14/240**

(58) **Field of Search** ..... **D14/240-242, D14/299, 432-435, 481, 263; 235/486; 439/76.1; 361/752**

(56) **References Cited**

**U.S. PATENT DOCUMENTS**

D442,605 S \* 5/2001 Stanley et al. .... D14/481  
D451,911 S \* 12/2001 Kubik ..... D14/242

D452,233 S \* 12/2001 Kubik et al. .... D14/242  
D460,453 S \* 7/2002 Homma et al. .... D14/435  
D466,113 S \* 11/2002 Strand ..... D14/299  
D484,120 S \* 12/2003 Yin et al. .... D14/240  
6,659,356 B2 \* 12/2003 Kashima ..... 235/492

\* cited by examiner

*Primary Examiner*—Kay H. Chin

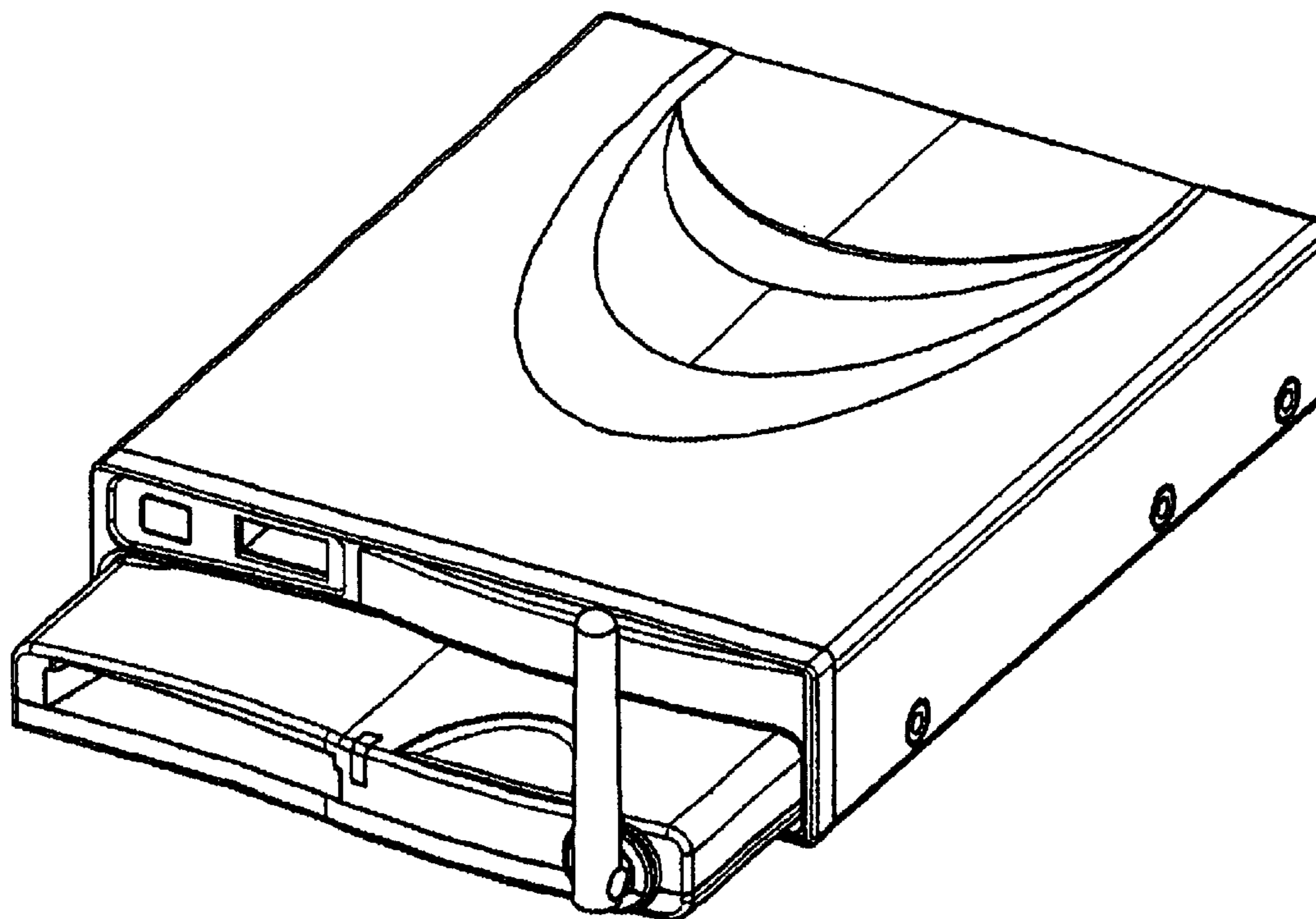
(57) **CLAIM**

The ornamental design for an extractable modular cartridge, as shown and described.

**DESCRIPTION**

FIG. 1 is a perspective view of an extractable modular cartridge showing my new design; FIG. 2 is a front elevational view thereof; FIG. 3 is a rear elevational view thereof; FIG. 4 is a left side view thereof; FIG. 5 is a right side view thereof; FIG. 6 is a top plan view thereof; and, FIG. 7 is a bottom plan view thereof.

**1 Claim, 4 Drawing Sheets**



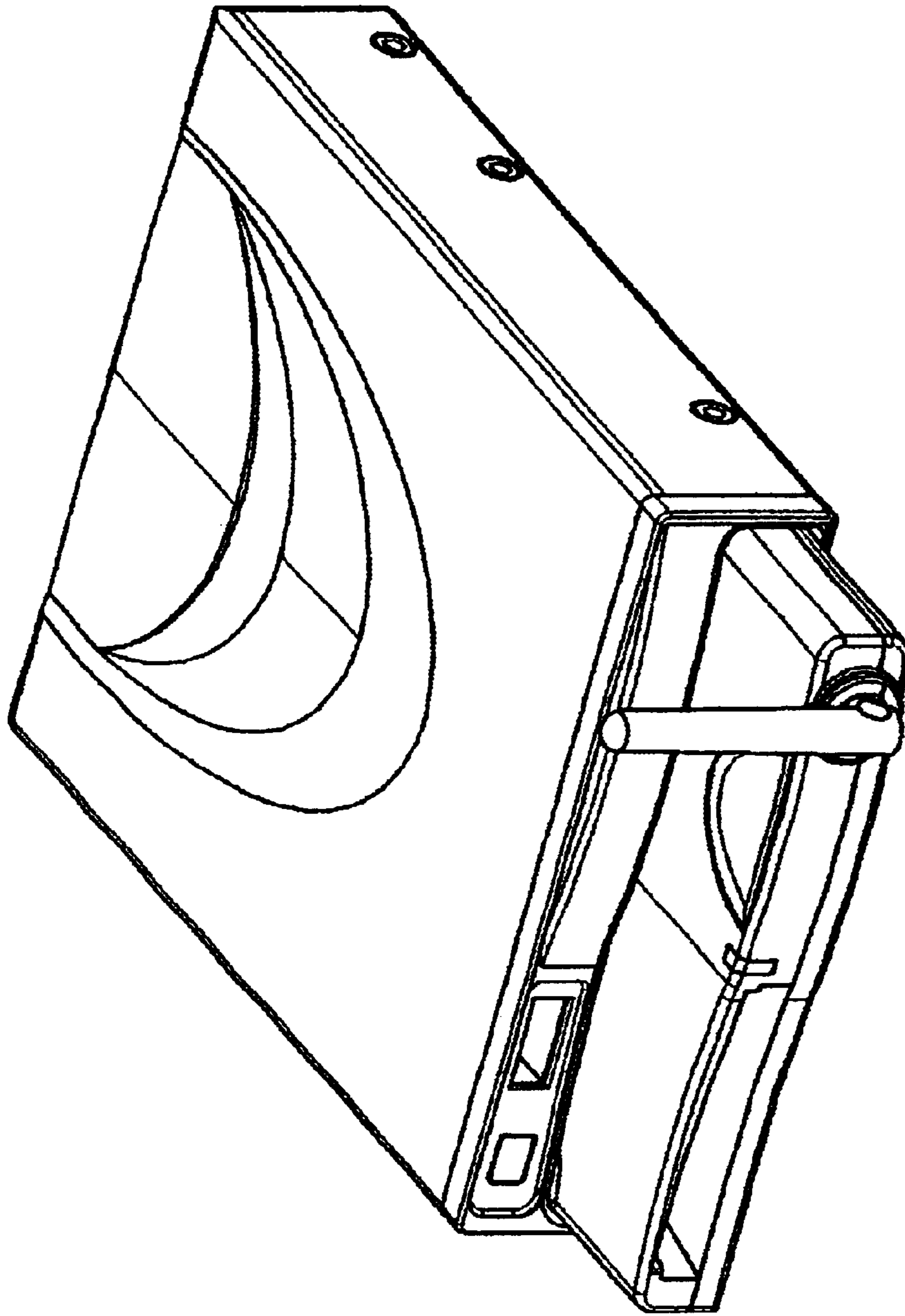


Fig. 1

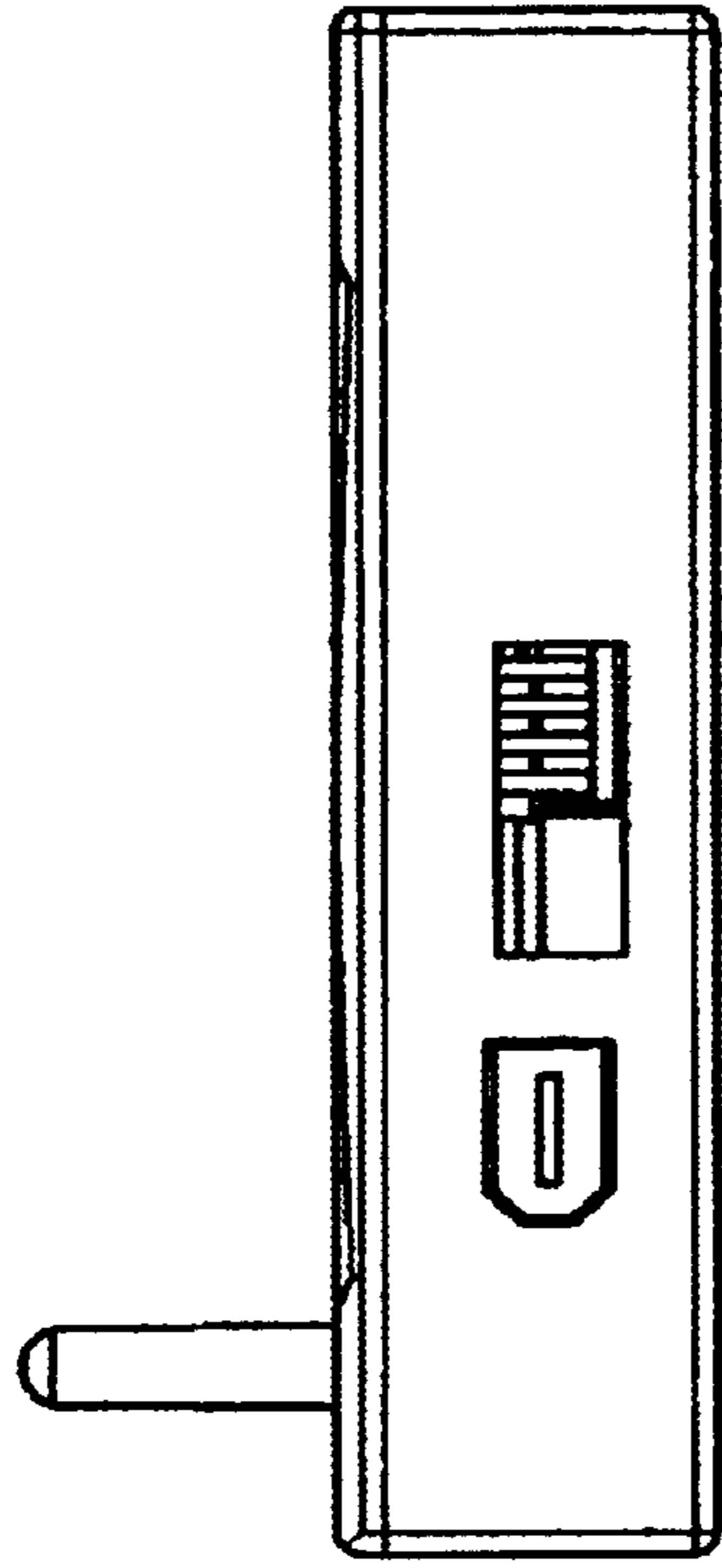


Fig. 3

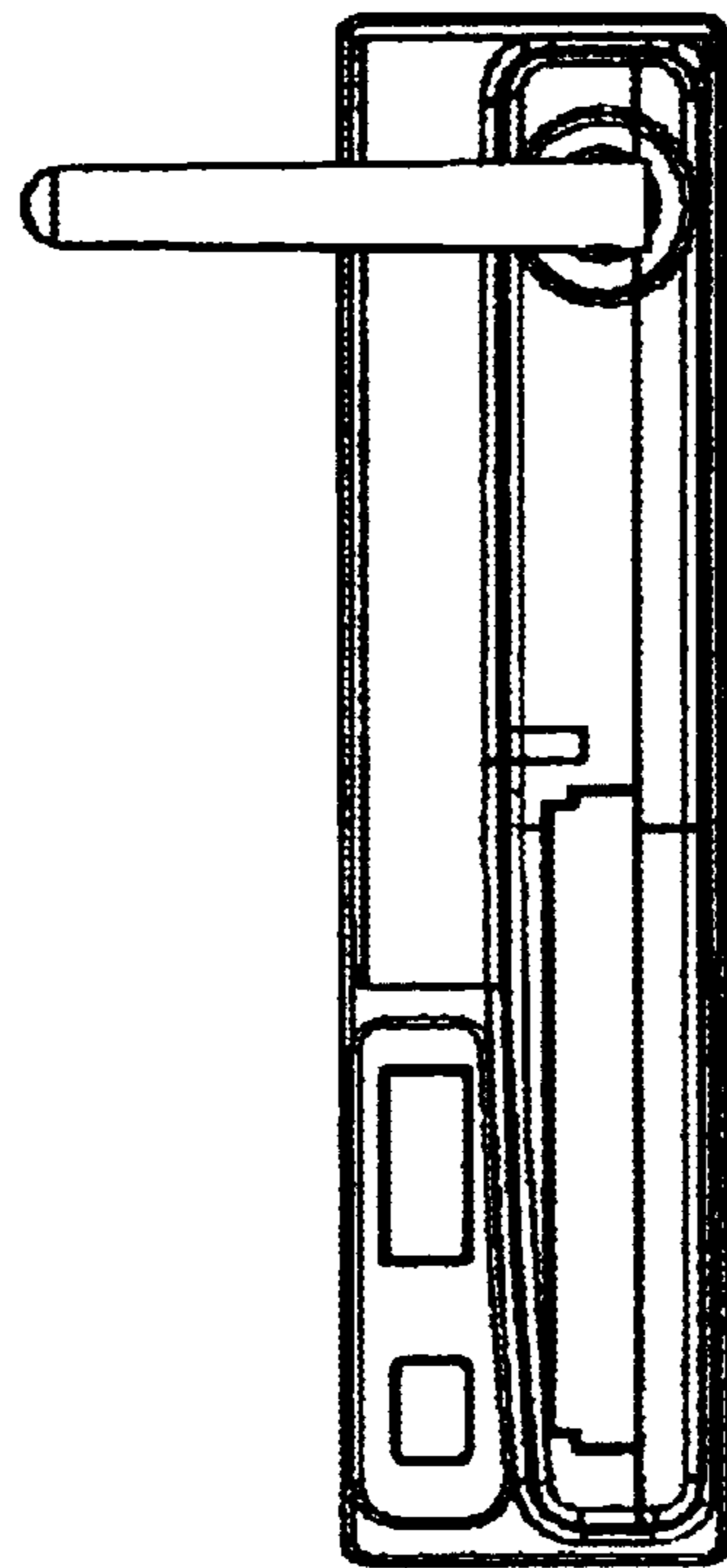


Fig. 2

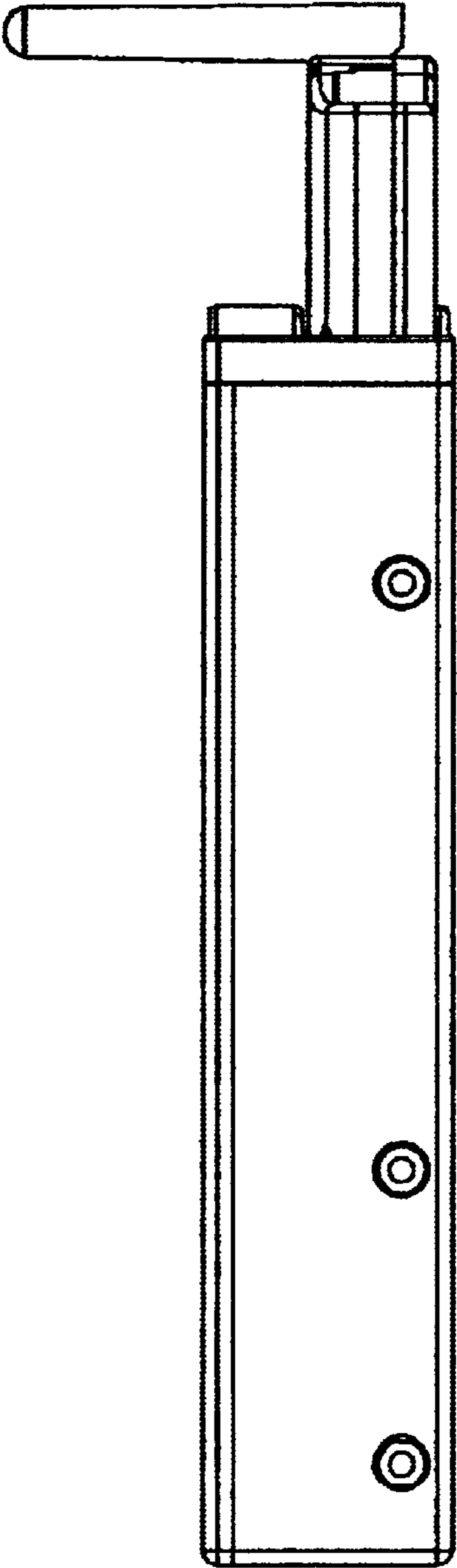


Fig. 4

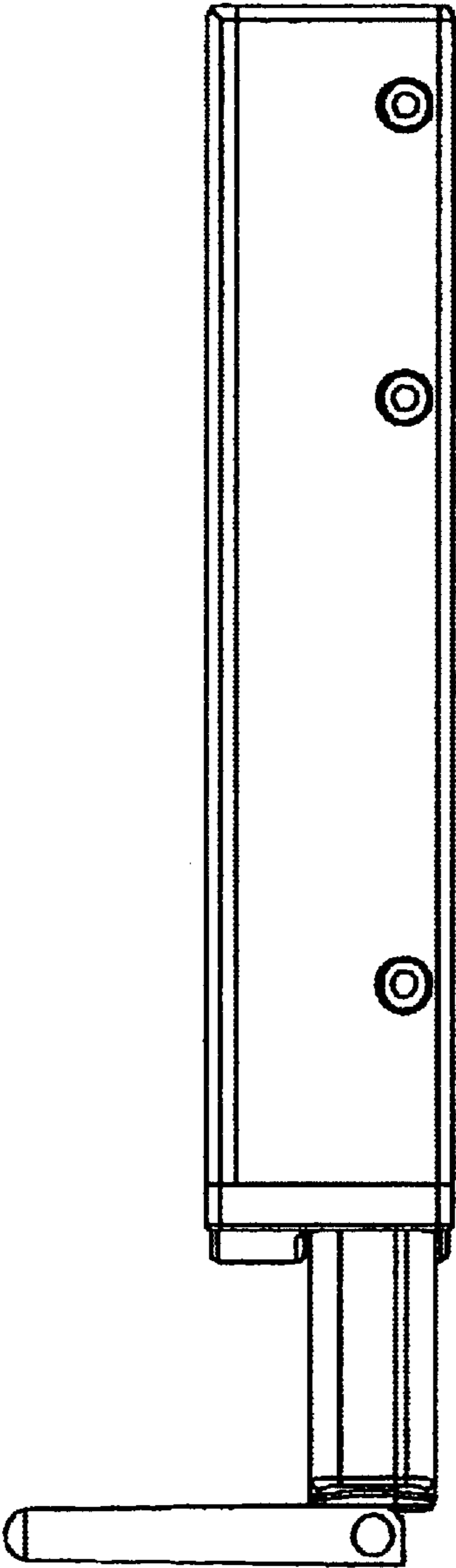


Fig. 5

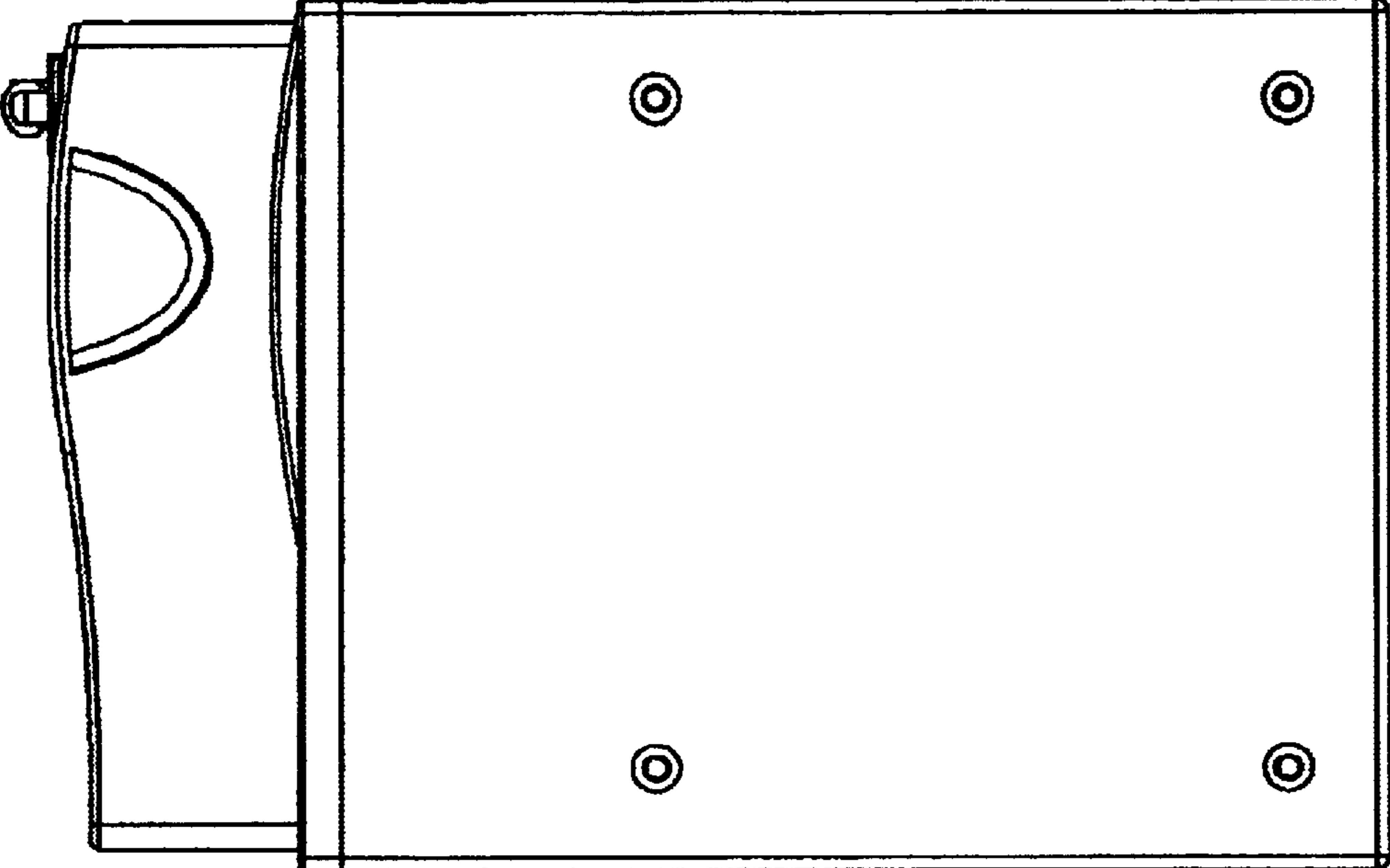


Fig. 7

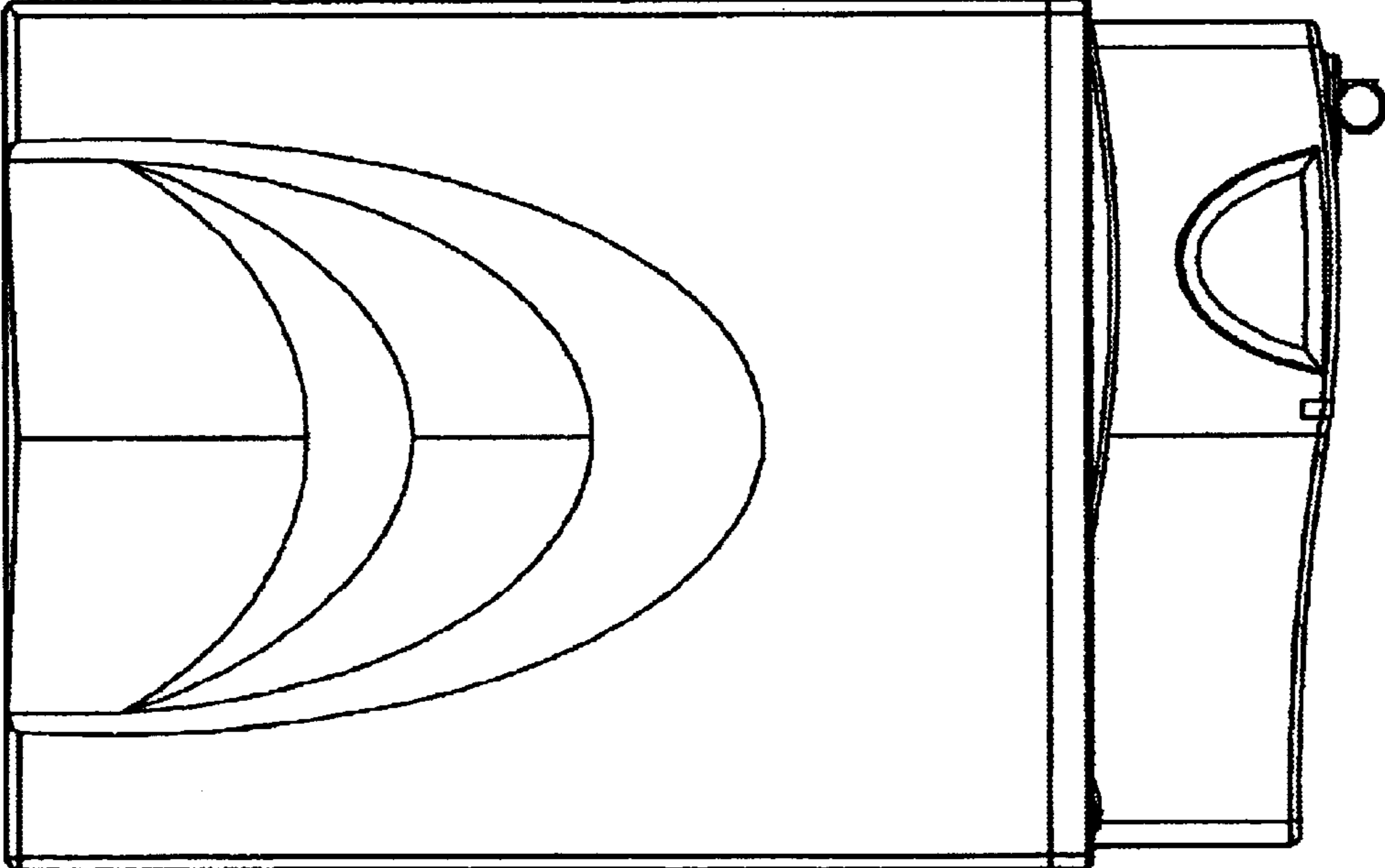


Fig. 6

UNITED STATES PATENT AND TRADEMARK OFFICE  
**CERTIFICATE OF CORRECTION**

PATENT NO. : Des. 500,756 S  
APPLICATION NO. : 29/177445  
DATED : January 11, 2005  
INVENTOR(S) : Hsieh-Rong Liang

Page 1 of 1

It is certified that error appears in the above-identified patent and that said Letters Patent is hereby corrected as shown below:

ON THE TITLE PAGE Item #75

Inventor's address should read **Taipei Taiwan R. O. C.**

Signed and Sealed this

Second Day of October, 2007

A handwritten signature in black ink on a dotted background. The signature reads "Jon W. Dudas" in a cursive style.

JON W. DUDAS

*Director of the United States Patent and Trademark Office*