



US00D500755S

(12) **United States Design Patent**
Chung

(10) **Patent No.:** **US D500,755 S**

(45) **Date of Patent:** **** Jan. 11, 2005**

(54) **NETWORK DEVICE**

(75) **Inventor:** **Ming Tsai Chung, Hsinchu (TW)**

(73) **Assignee:** **D-Link Corporation, Hsinchu (TW)**

(**) **Term:** **14 Years**

(21) **Appl. No.:** **29/194,778**

(22) **Filed:** **Dec. 2, 2003**

(51) **LOC (7) Cl.** **14-03**

(52) **U.S. Cl.** **D14/240**

(58) **Field of Search** D14/240, 349,
D14/353, 242, 243, 248, 256, 299, 358,
433, 357; 455/151.1-151.4, 550-575, 569.1,
569.2; D13/184, 147, 168; 379/433.01-13,
434, 419, 418

(56) **References Cited**

U.S. PATENT DOCUMENTS

D327,879 S	*	7/1992	Lou	D14/357
D330,704 S	*	11/1992	Wagner	D14/242
D336,467 S	*	6/1993	Pooley et al.	D14/433
D338,193 S	*	8/1993	Sasaki	D14/433
D382,857 S	*	8/1997	Chen et al.	D13/147

D386,473 S	*	11/1997	England et al.	D13/147
D387,732 S	*	12/1997	England et al.	D13/147
D418,113 S	*	12/1999	Yanish et al.	D13/152
D429,238 S	*	8/2000	Kolinen	D14/240
D451,479 S	*	12/2001	Bateson et al.	D13/152
D454,873 S	*	3/2002	Clark et al.	D14/358

* cited by examiner

Primary Examiner—Charles A. Rademaker

(74) *Attorney, Agent, or Firm*—Bacon & Thomas, PLLC

(57) **CLAIM**

The ornamental design for network device, as shown and described.

DESCRIPTION

FIG. 1 is a perspective view of network device showing my design;

FIG. 2 is a front elevational view thereof;

FIG. 3 is a rear elevational view thereof;

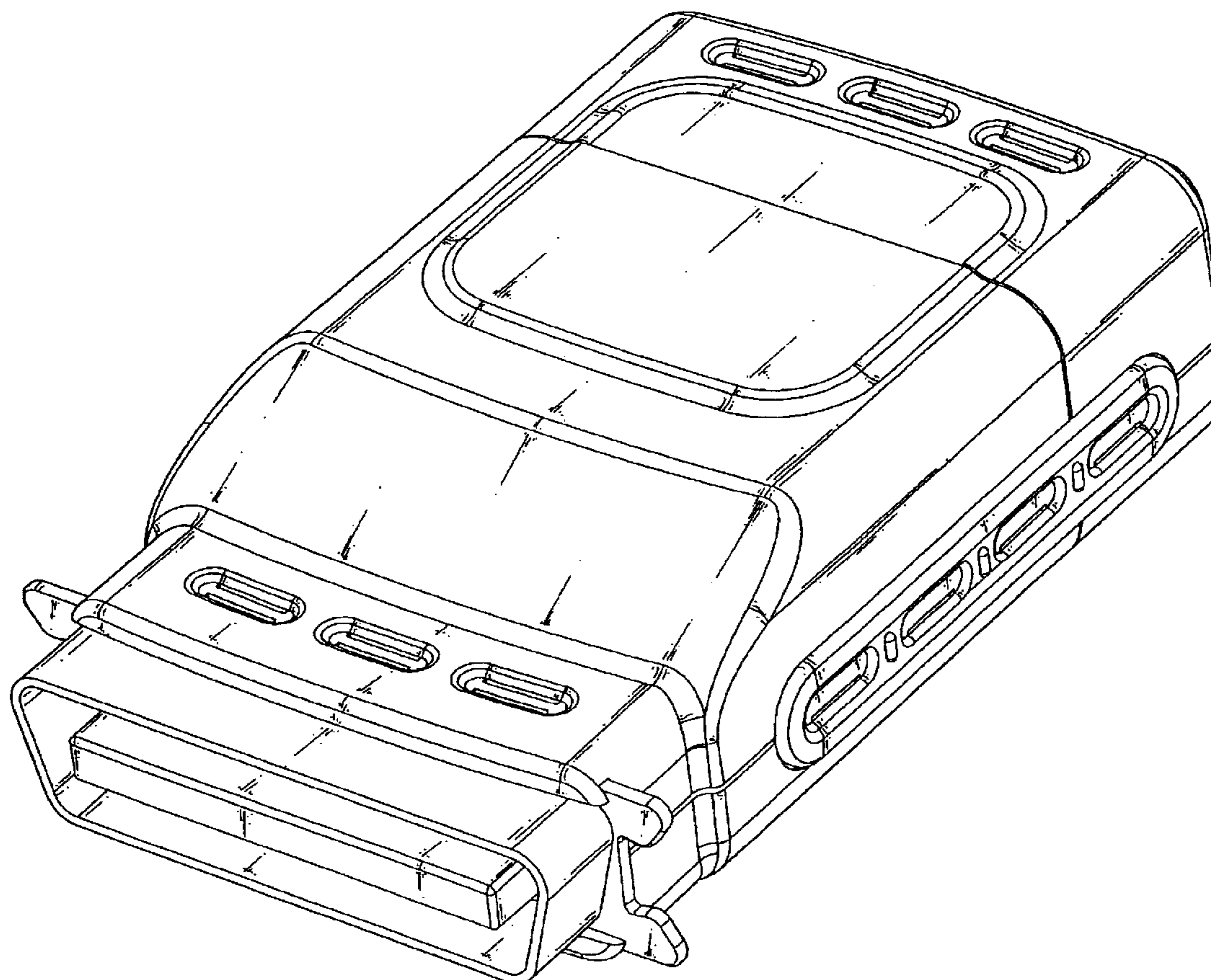
FIG. 4 is a left side elevational view thereof;

FIG. 5 is a right side elevational view thereof;

FIG. 6 is a top plan view thereof; and,

FIG. 7 is a bottom plan view thereof.

1 Claim, 6 Drawing Sheets



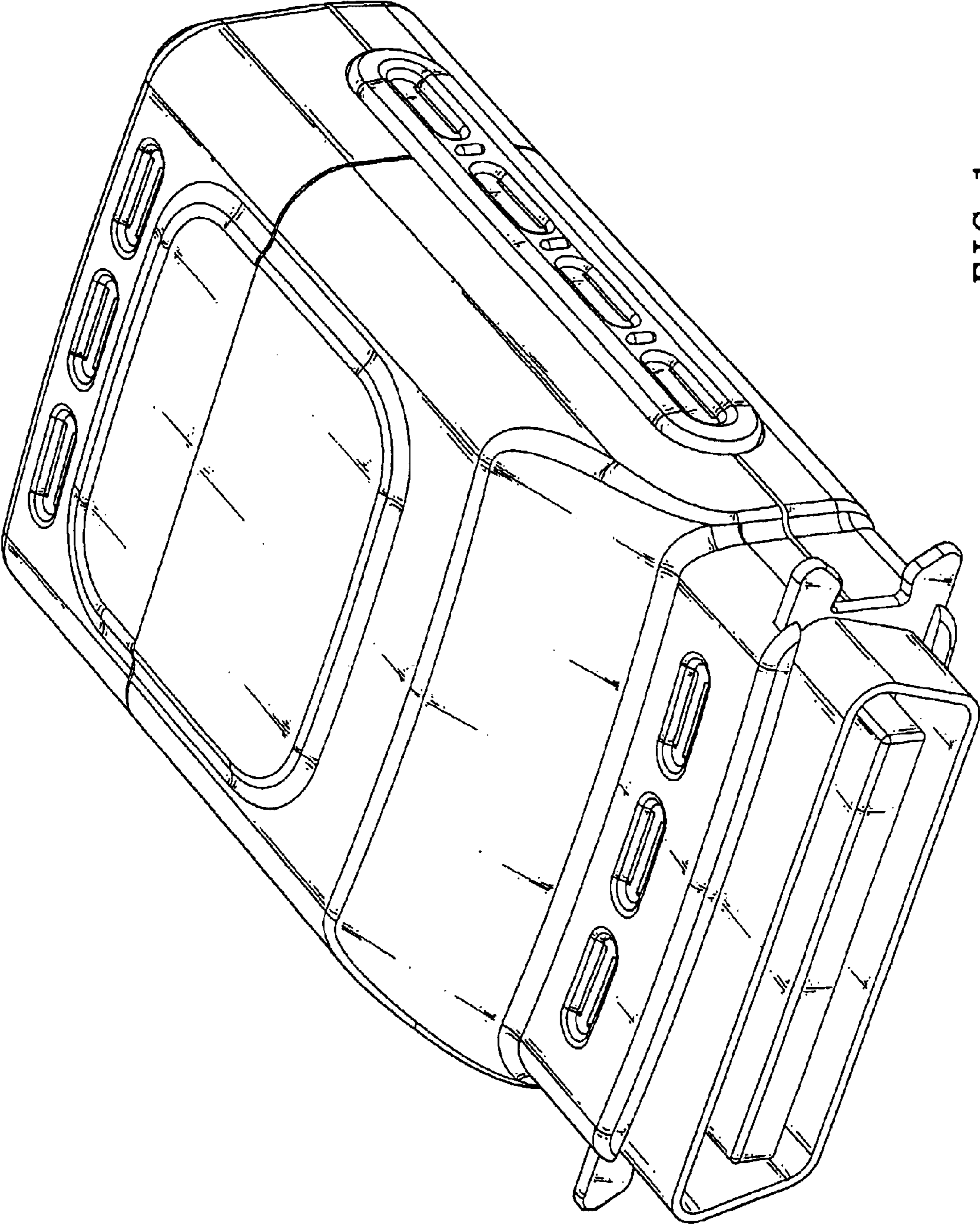


FIG. 1

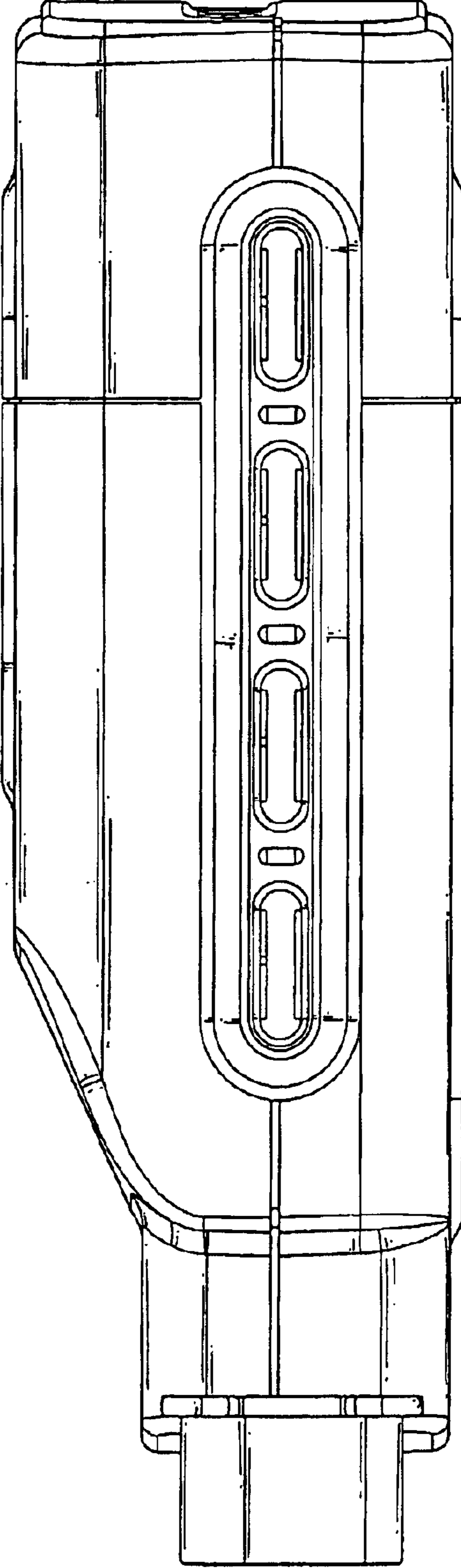


FIG. 2

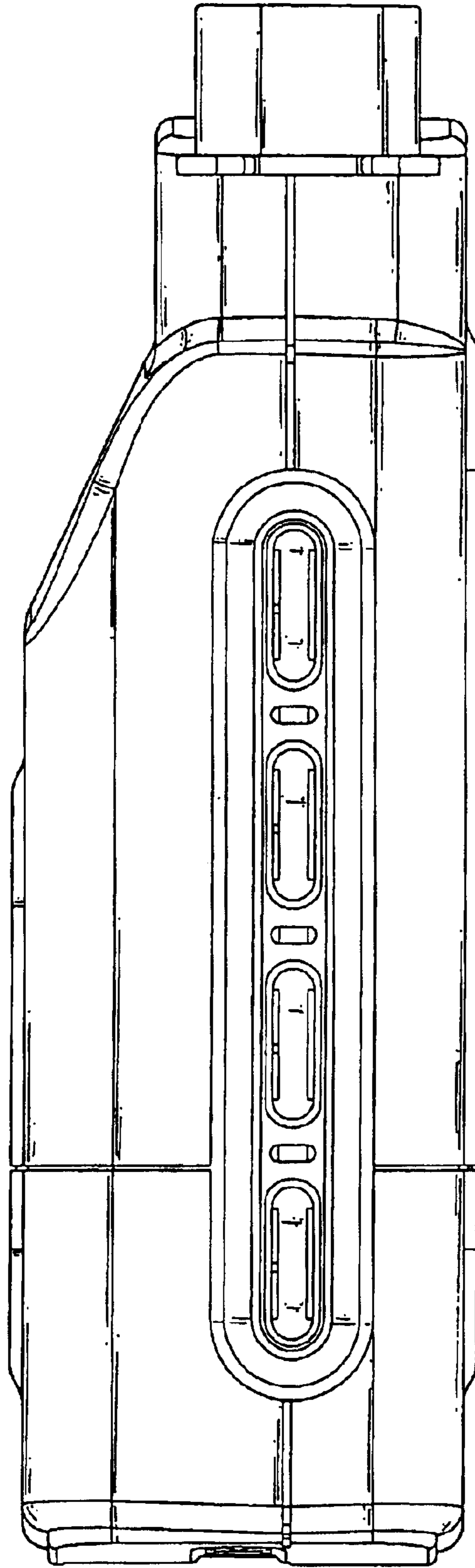


FIG. 3

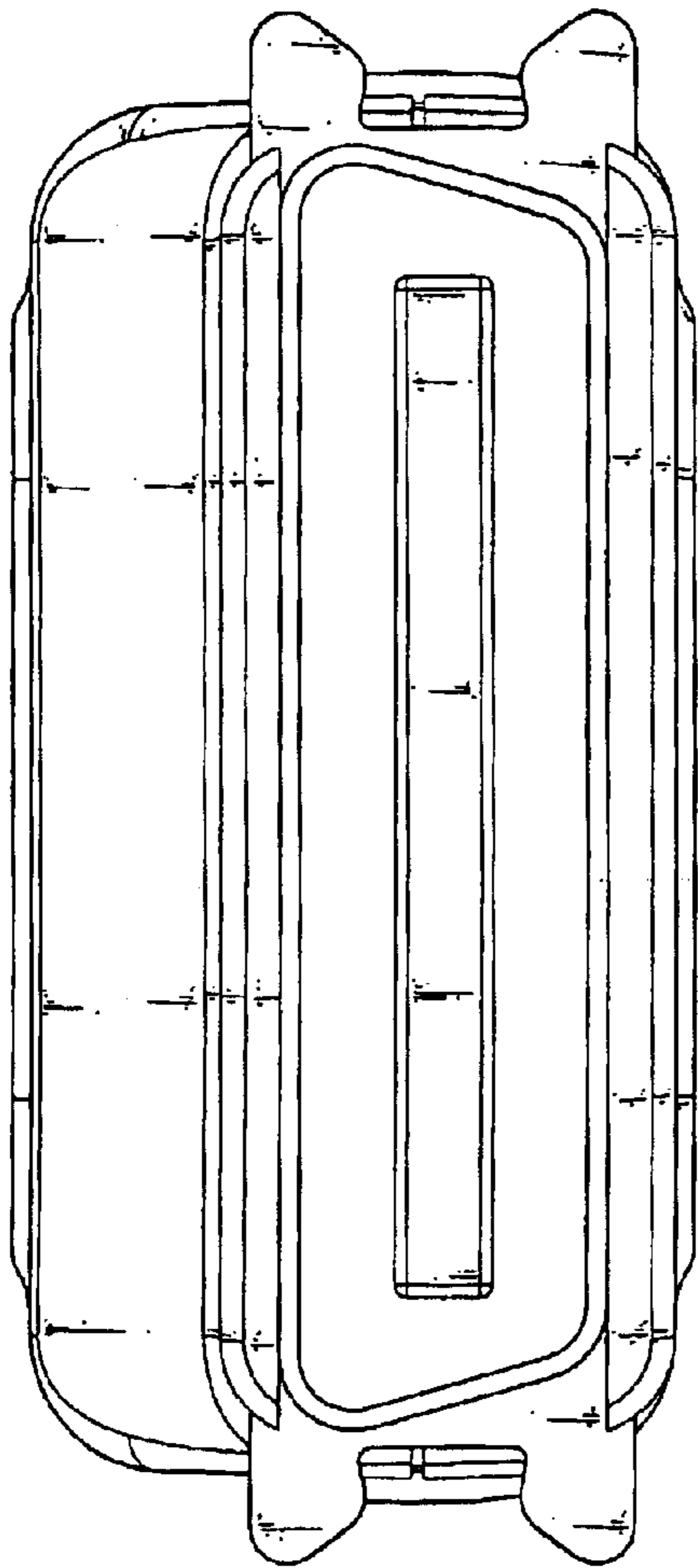


FIG. 4

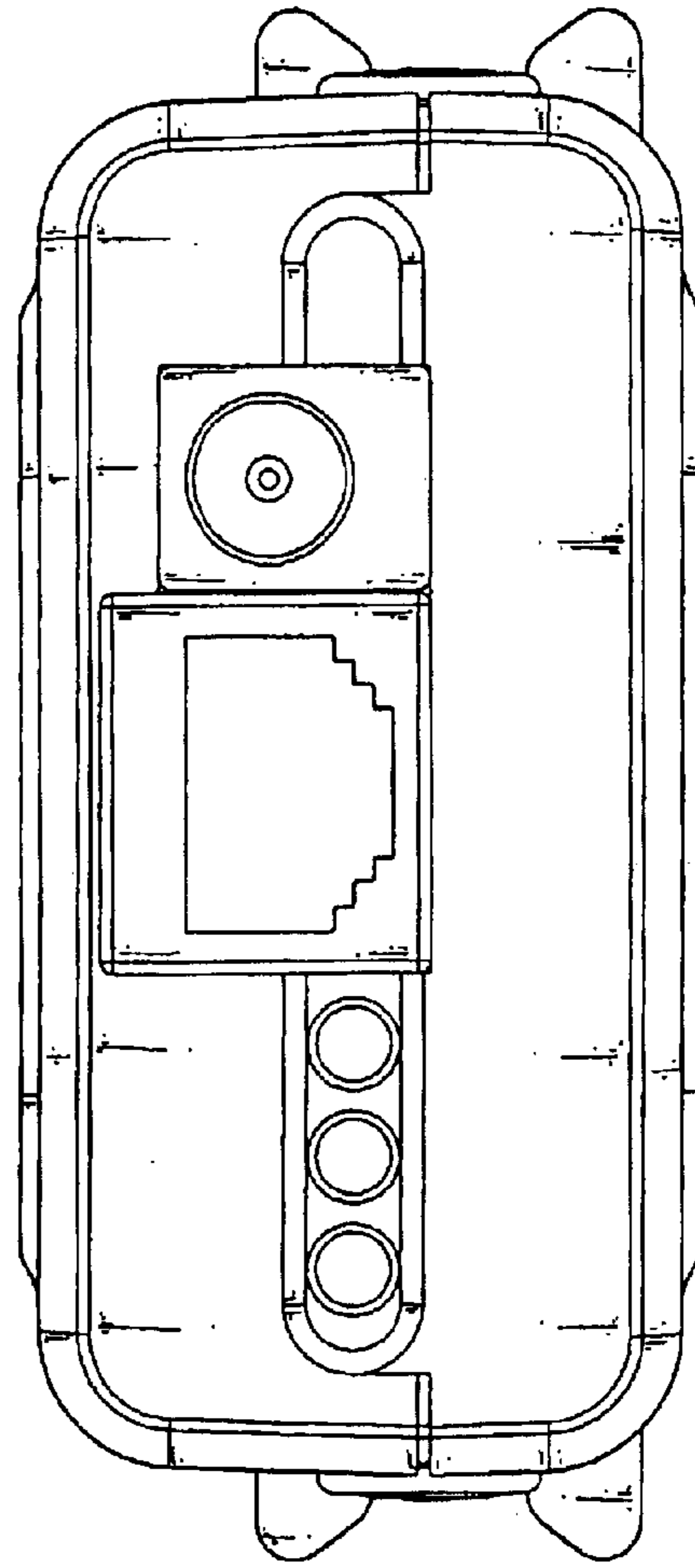


FIG. 5

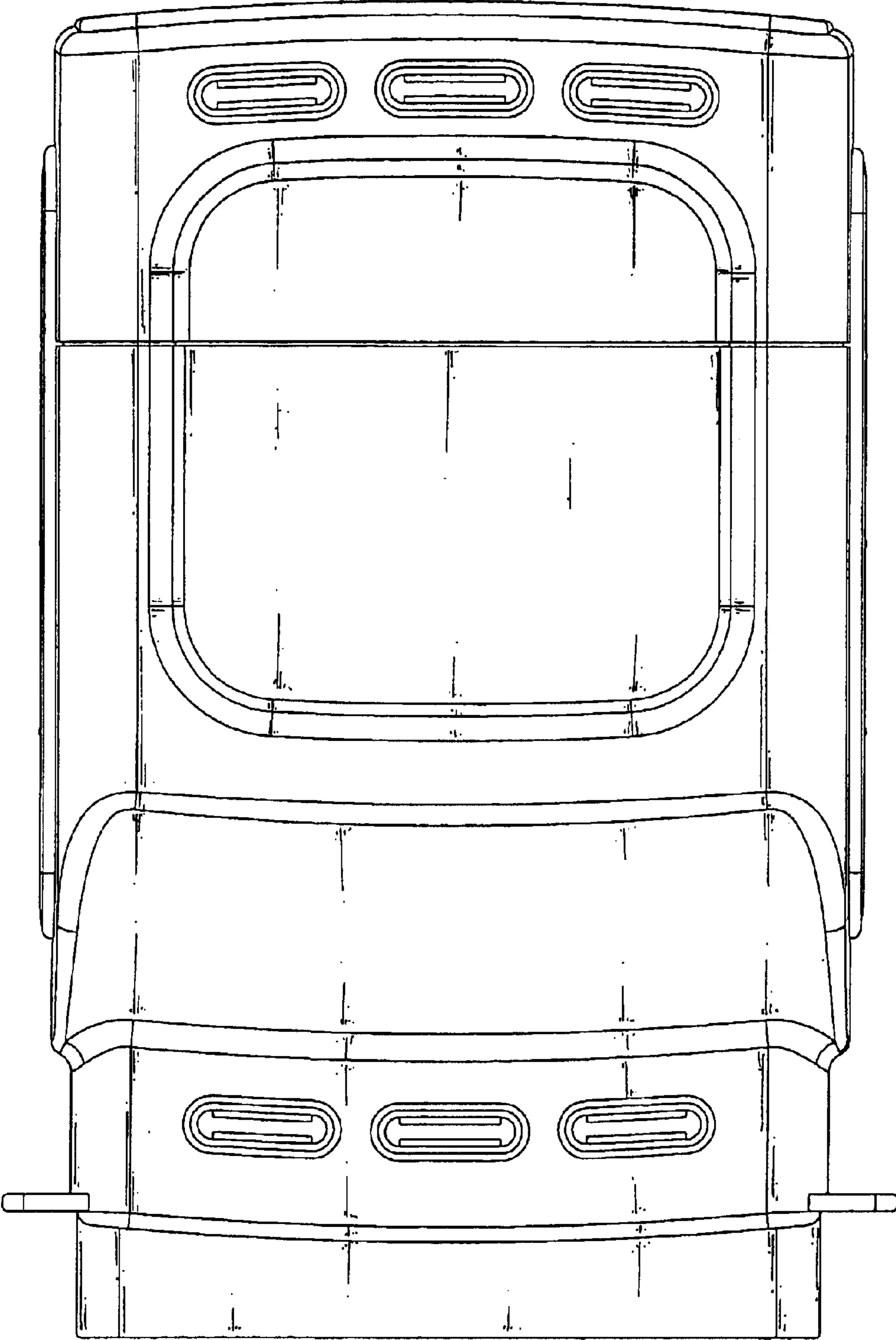


FIG. 6

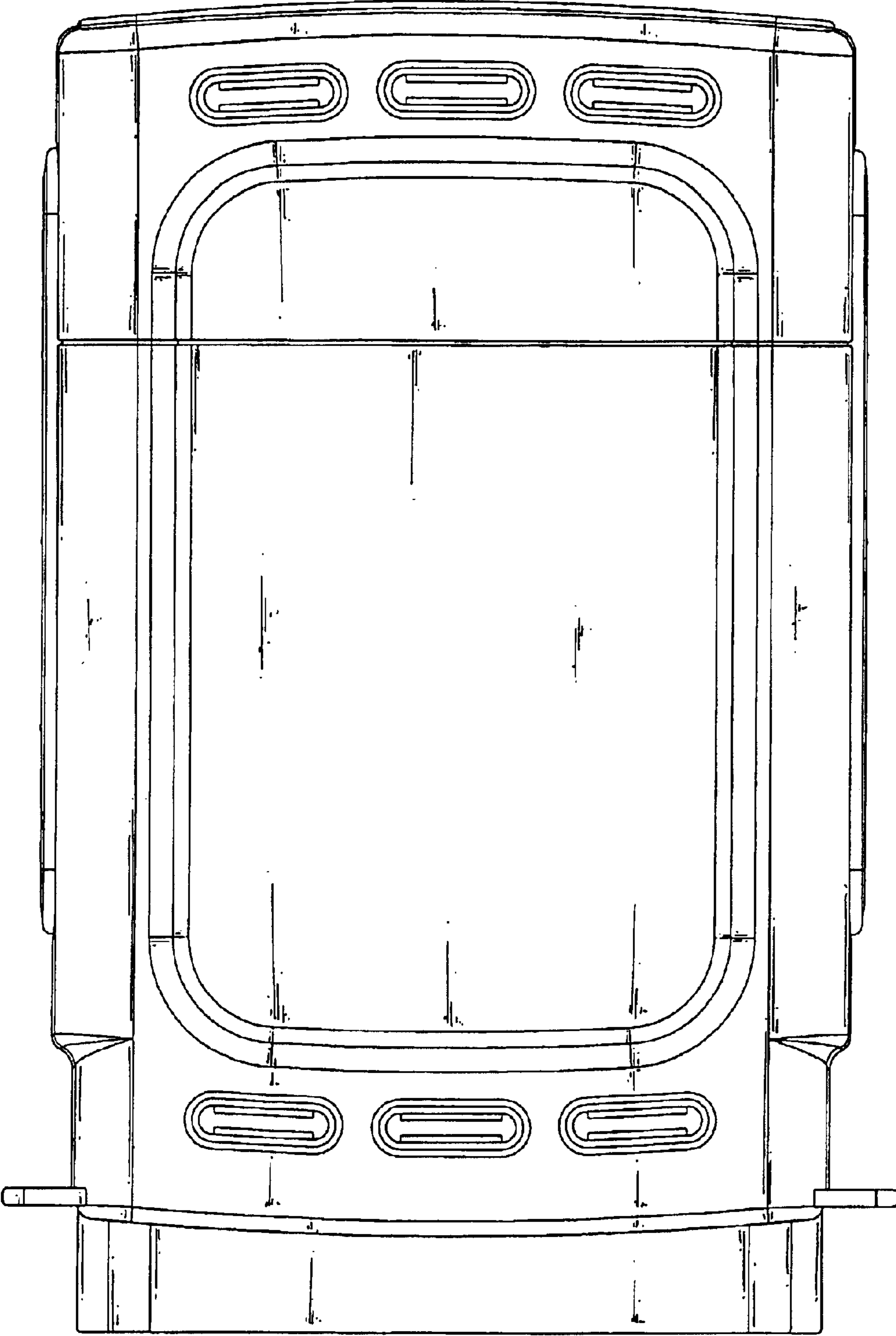


FIG. 7