

US00D500754S

(12) **United States Design Patent**
Dierkes

(10) **Patent No.:** **US D500,754 S**
(45) **Date of Patent:** **** Jan. 11, 2005**

(54) **SATELLITE DISH MOUNT**

(76) **Inventor:** **Barry Dierkes**, 729 W Anaheim St.,
Unit B, Long Beach, CA (US) 90813

(**) **Term:** **14 Years**

(21) **Appl. No.:** **29/189,455**

(22) **Filed:** **Sep. 5, 2003**

Related U.S. Application Data

(63) Continuation-in-part of application No. 10/306,278, filed on
Nov. 27, 2002, now Pat. No. 6,682,029.

(51) **LOC (7) Cl.** **14-03**

(52) **U.S. Cl.** **D14/238**

(58) **Field of Search** D14/230-238,
D14/299; D6/495-499, 329, 349, 352, 363,
364, 366; D16/244, 245; D21/796; 34/773,
781 R, 818, 838, 840, 874, 878, 887, 890

(56) **References Cited**

U.S. PATENT DOCUMENTS

D360 S * 3/1851 Lewis et al. D6/498

D191,105 S * 8/1961 Lindenmeyer D6/498
D411,541 S * 6/1999 Waldron D14/238
D415,805 S * 10/1999 Wygonik D21/715
6,276,649 B1 * 8/2001 Kruse 248/346.01

* cited by examiner

Primary Examiner—Louis S. Zarfes

Assistant Examiner—John Windmuller

(74) *Attorney, Agent, or Firm*—I. Michael Bak-Boyчук

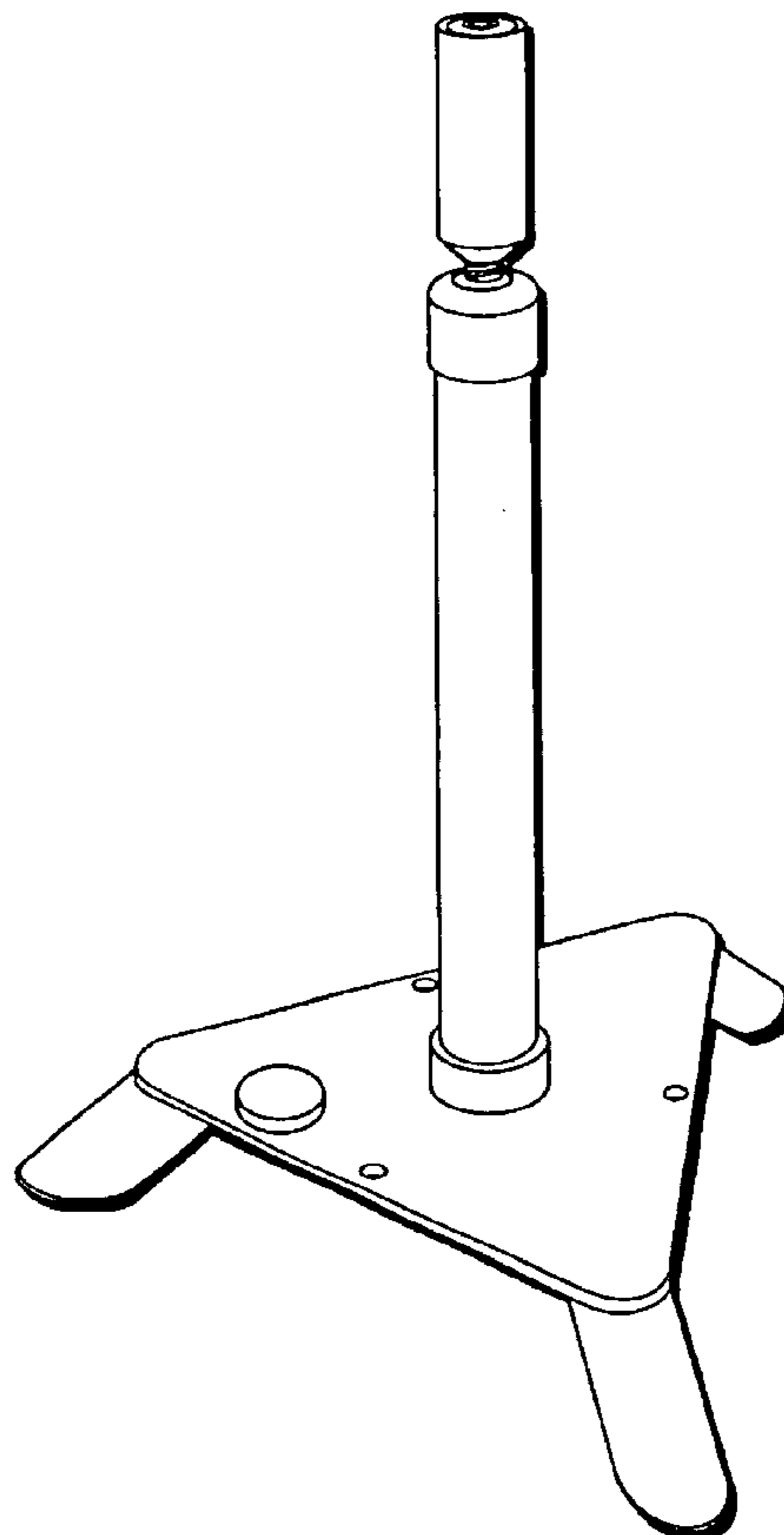
(57) **CLAIM**

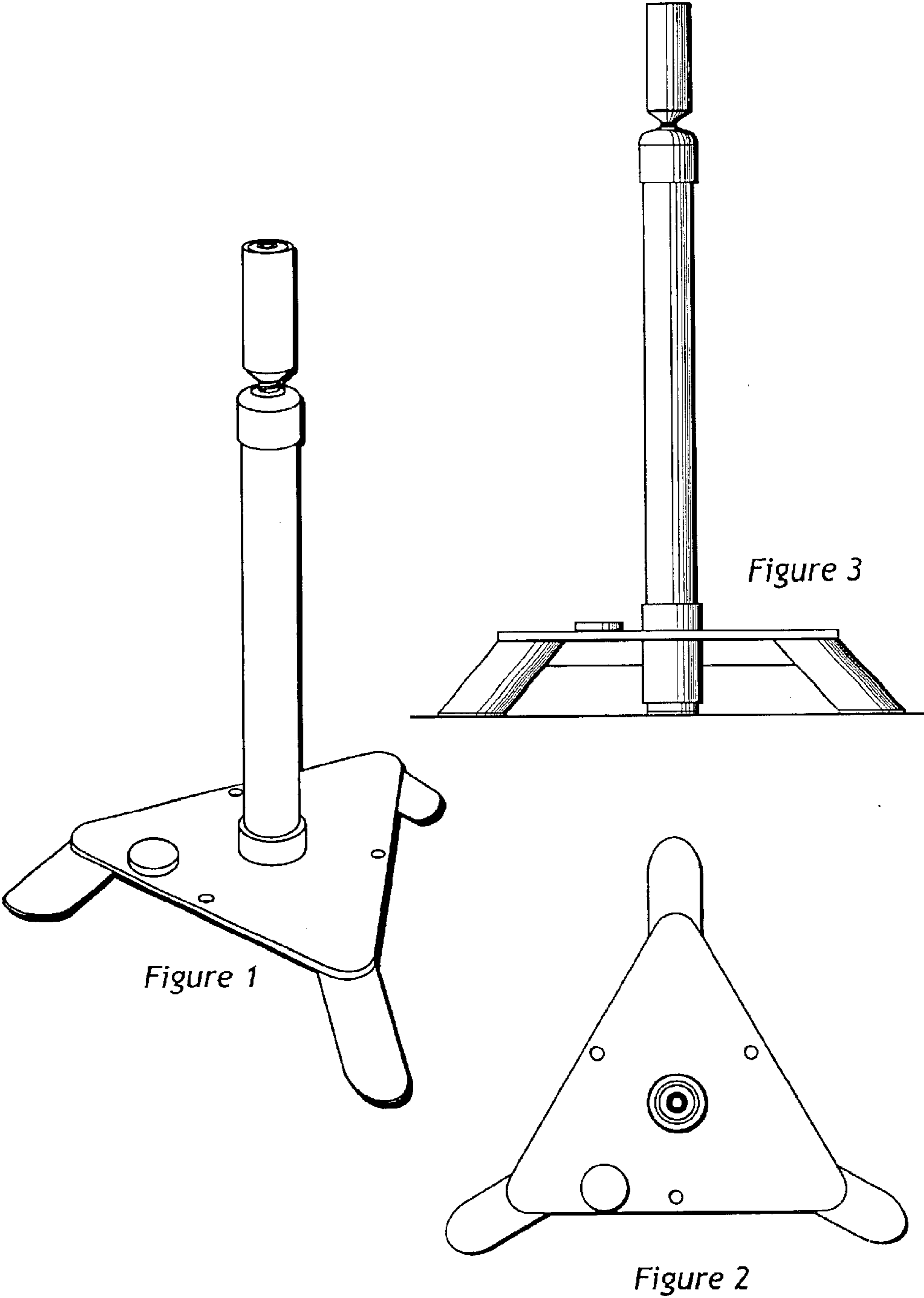
I claim the ornamental design for a satellite dish mount,
substantially as shown and described.

DESCRIPTION

FIG. 1 is a perspective illustration of the inventive mount;
FIG. 2 is a top view of the inventive mount;
FIG. 3 is a front view of the inventive mount;
FIG. 4 is a side view of the inventive mount, the other side
view being wholly symmetrical;
FIG. 5 is a bottom view of the inventive mount; and,
FIG. 6 is a rear view of the inventive mount.

1 Claim, 2 Drawing Sheets





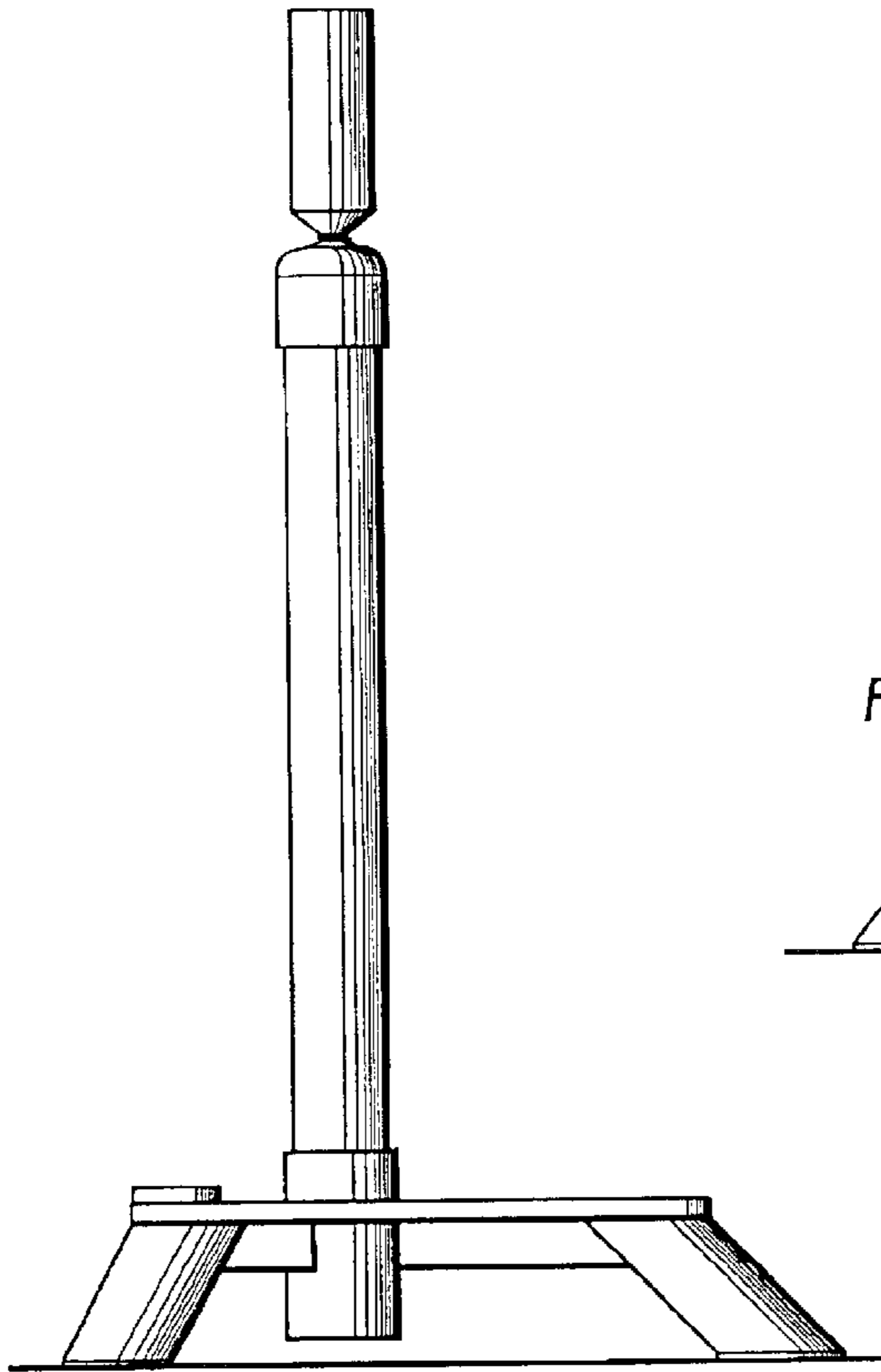


Figure 4

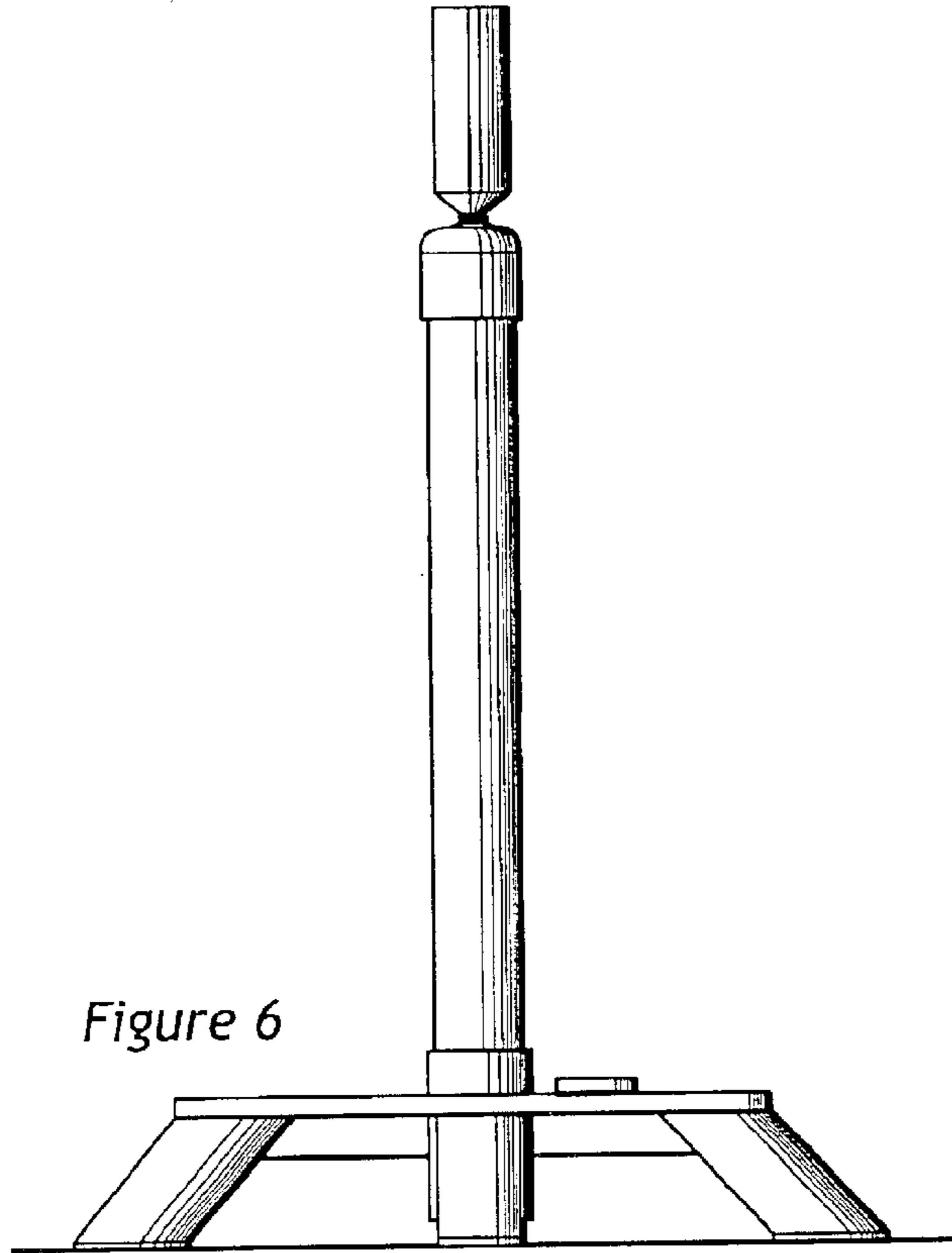


Figure 6

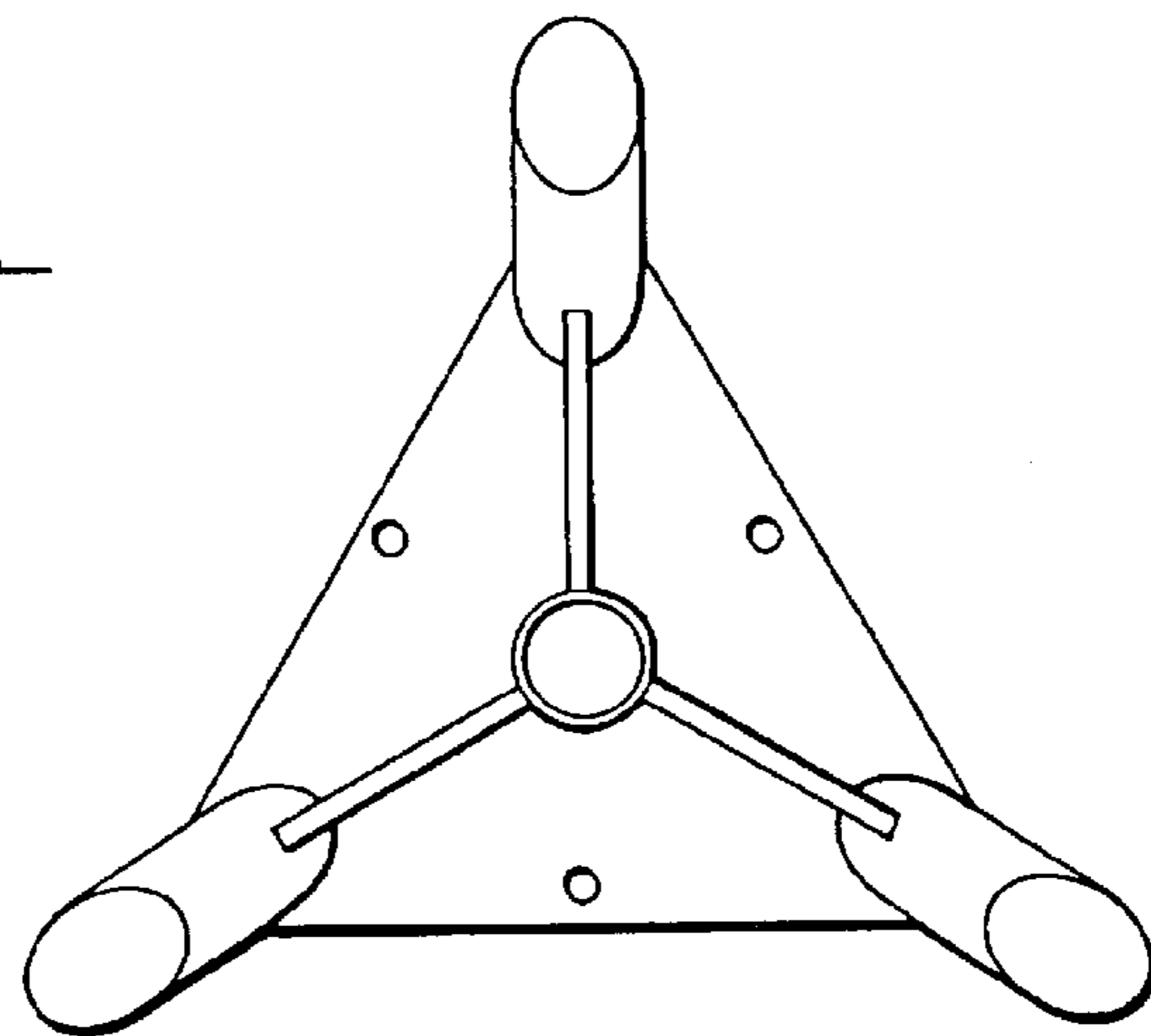


Figure 5