

US00D500753S

(12) **United States Design Patent**  
**Nagatomi**

(10) **Patent No.:** **US D500,753 S**  
(45) **Date of Patent:** **\*\* Jan. 11, 2005**

(54) **ANTENNA**

6,005,529 A \* 12/1999 Hutchinson ..... 343/797  
D440,961 S 4/2001 Inoue

(75) Inventor: **Akihiko Nagatomi, Kobe (JP)**

\* cited by examiner

(73) Assignee: **DX Antenna Company, Limited, Kobe (JP)**

*Primary Examiner*—Louis S. Zarfes  
*Assistant Examiner*—John Windmuller

(\*\*) Term: **14 Years**

(74) *Attorney, Agent, or Firm*—Wenderoth, Lind & Ponack, L.L.P.

(21) Appl. No.: **29/200,454**

(57) **CLAIM**

(22) Filed: **Mar. 1, 2004**

The ornamental design for an antenna, as shown and described.

(51) **LOC (7) Cl.** ..... **14-03**

(52) **U.S. Cl.** ..... **D14/233**

(58) **Field of Search** ..... D14/137, 138,  
D14/230-238, 299, 358; D12/42, 43; 343/700 R-705,  
871-908, 795, 840, 711-713, 819, 846;  
455/90.2, 90.3, 91, 347, 128, 269, 344,  
562.1

**DESCRIPTION**

FIG. 1 is a front elevational view of the antenna;  
FIG. 2 is a rear elevational view of the antenna;  
FIG. 3 is a right-side elevational of the antenna;  
FIG. 4 is a left-side elevational view of the antenna;  
FIG. 5 is a top plan view of the antenna;  
FIG. 6 is a bottom plan view of the antenna;  
FIG. 7 is a perspective view of the antenna; and,  
FIG. 8 is another perspective view of the antenna.

(56) **References Cited**

**U.S. PATENT DOCUMENTS**

1,679,975 A \* 8/1928 Juliano ..... 280/12.11  
1,684,262 A \* 9/1928 Clinker ..... 343/871

**1 Claim, 4 Drawing Sheets**

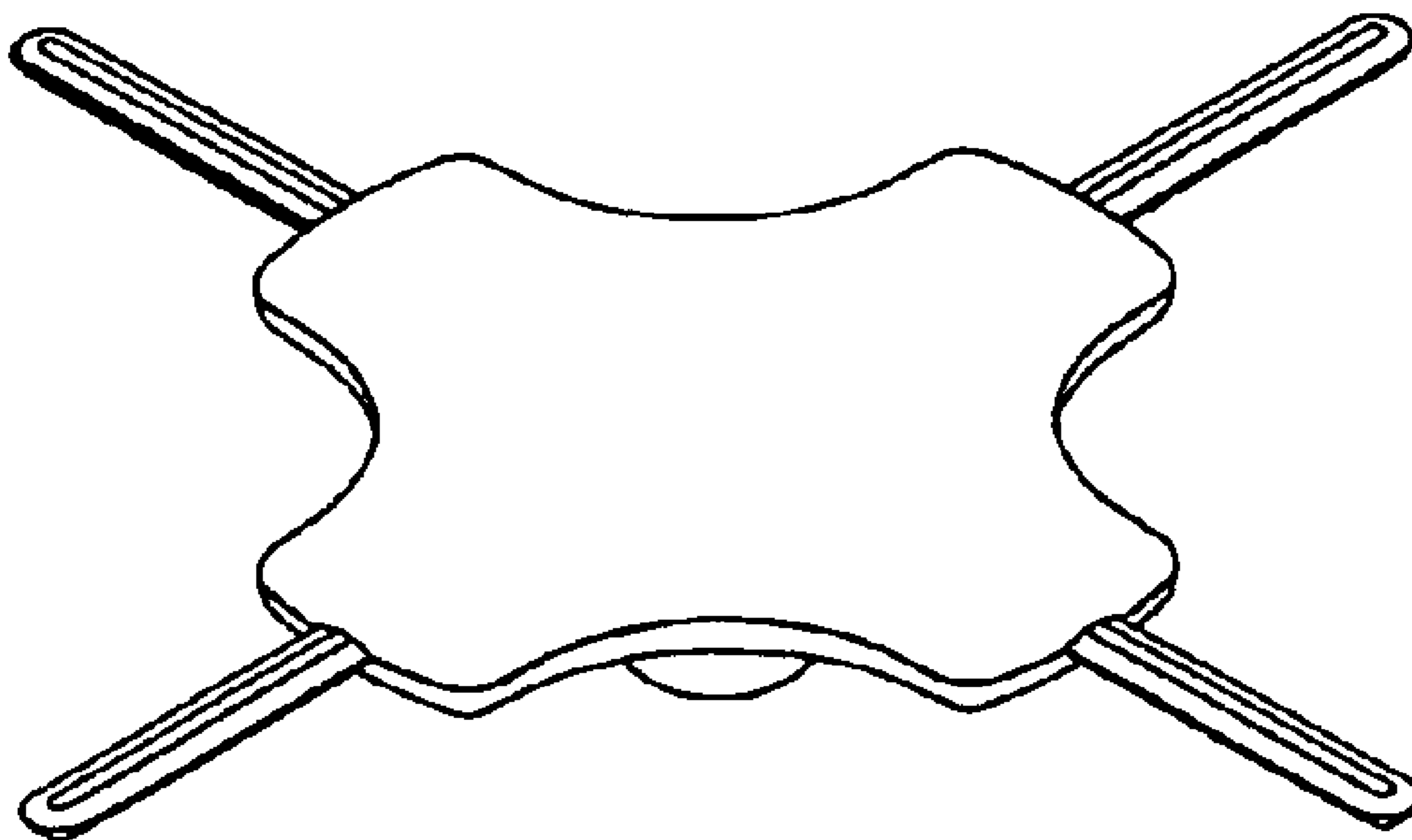


Fig.1

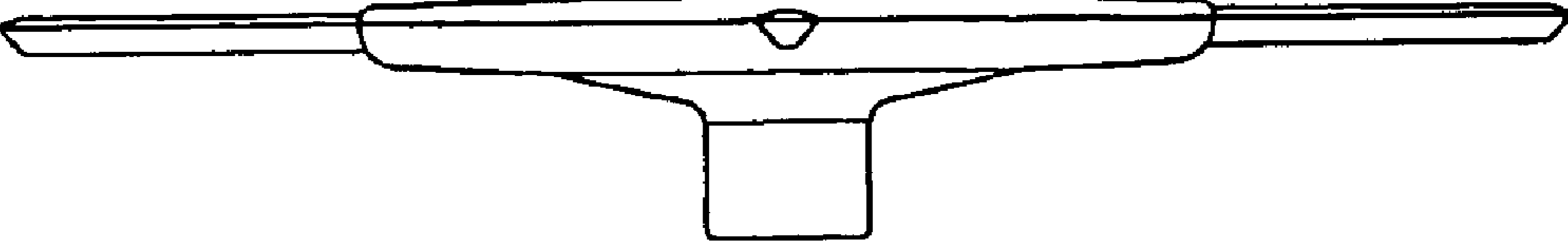


Fig.2

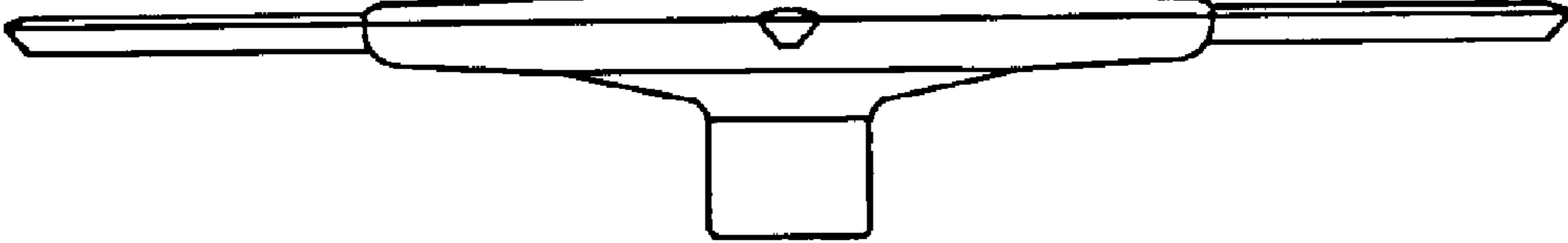


Fig.3

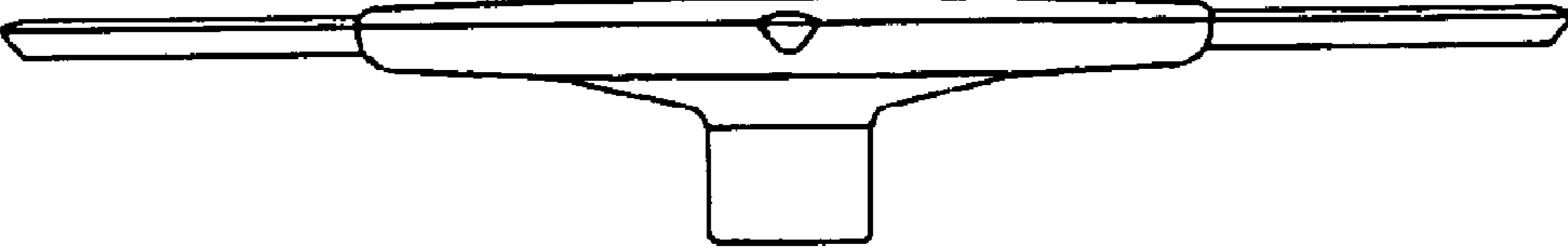


Fig.4

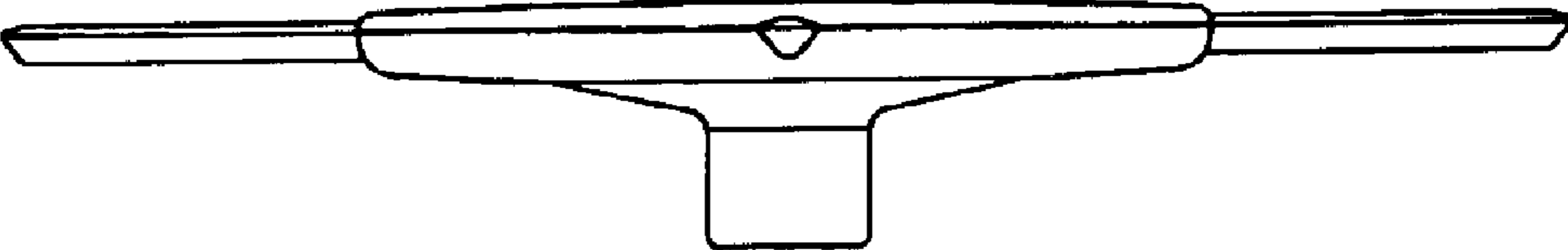


Fig.5

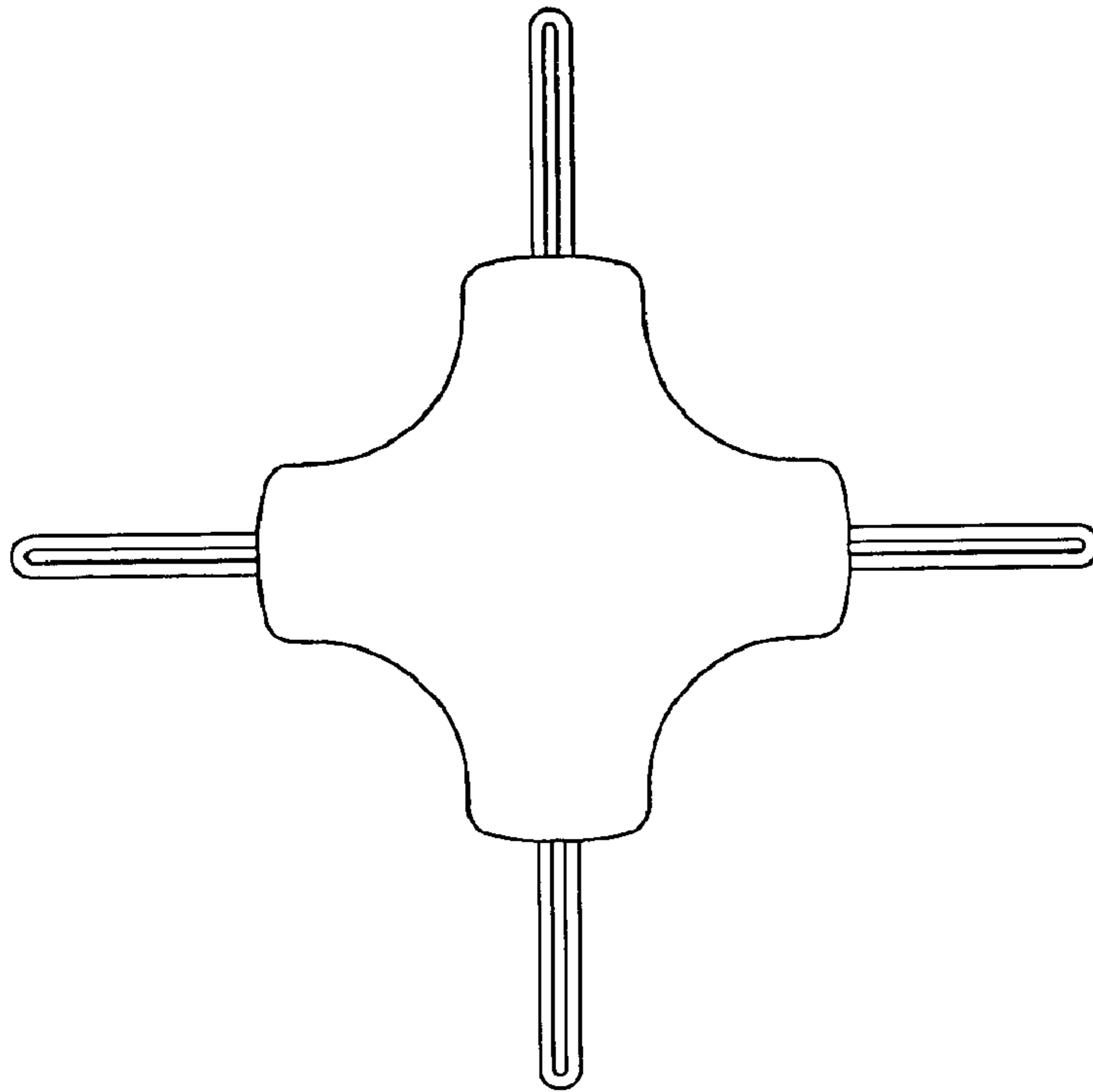


Fig.6

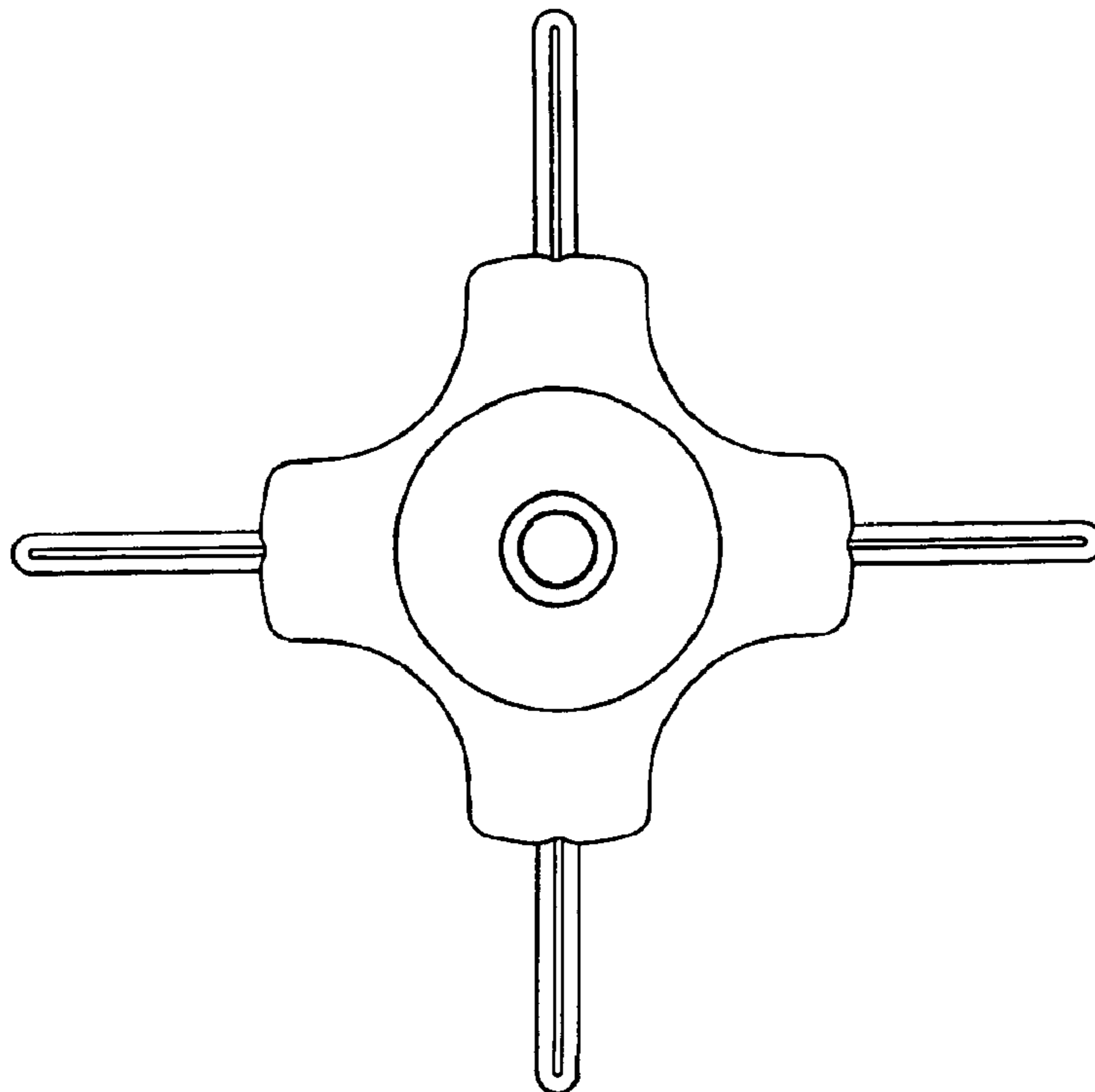


Fig.7

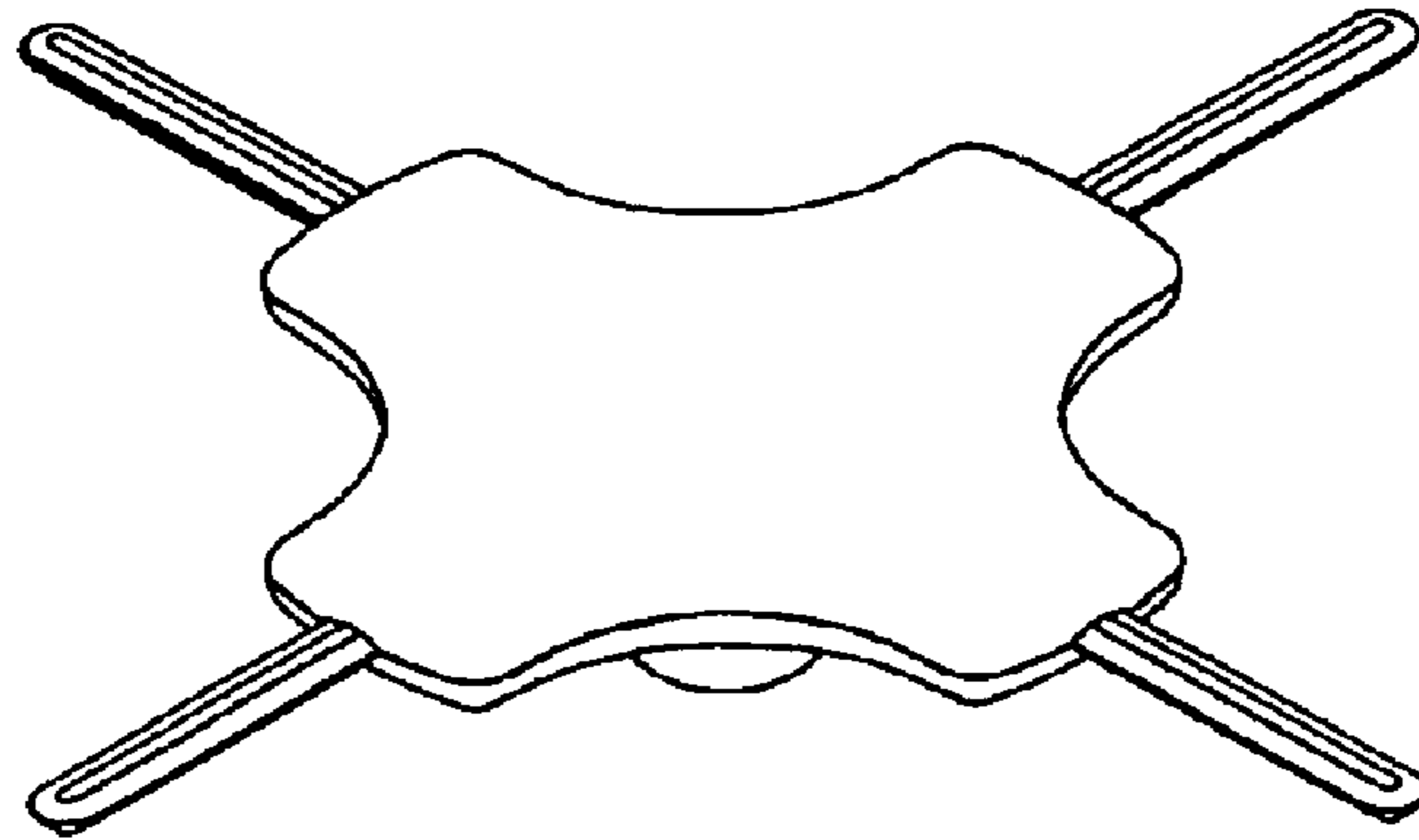


Fig.8

