

US00D500745S

(12) **United States Design Patent**
Duan et al.

(10) **Patent No.: US D500,745 S**

(45) **Date of Patent: ** Jan. 11, 2005**

(54) **HEAT-DISSIPATION FINS**
(75) Inventors: **Qiang-Fei Duan**, Chung-Ho (TW);
Pai-Ling Kao, Chung-Ho (TW)
(73) Assignee: **Cooler Master Co., Ltd.**, Taipei Hsien
(TW)

6,152,214 A * 11/2000 Wagner 165/121
6,487,077 B1 * 11/2002 Lin 361/697
D466,871 S * 12/2002 Lee D13/179
D476,958 S * 7/2003 Tsai D13/179
D481,688 S * 11/2003 Lee et al. D13/179
D490,383 S * 5/2004 Tan et al. D13/179

* cited by examiner

(**) Term: **14 Years**

Primary Examiner—Brian N Vinson

(21) Appl. No.: **29/206,002**

(57) **CLAIM**

(22) Filed: **May 25, 2004**

The ornamental design for heat-dissipation fins, as shown and described.

(51) **LOC (7) Cl.** **13-03**

(52) **U.S. Cl.** **D13/179**

(58) **Field of Search** D13/179; 174/16.3,
174/52.4; 165/121, 122, 713-716, 180,
185, 80.3, 104.14; 361/702-711, 695-697;
257/706-722; 439/485, 486

DESCRIPTION

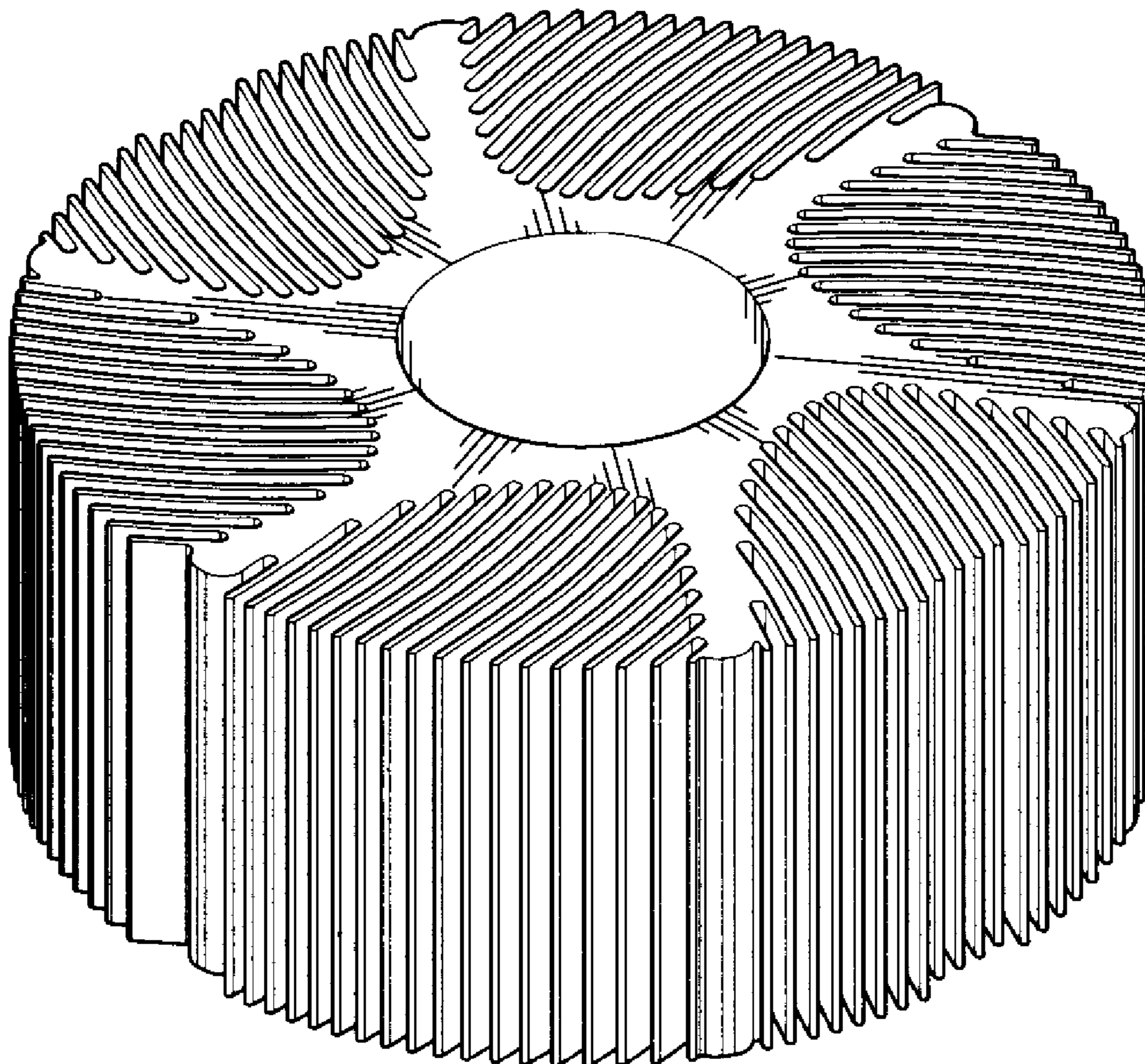
FIG. 1 is a perspective view of the heat-dissipation fins showing my new design;
FIG. 2 is a front view thereof;
FIG. 3 is a rear view thereof;
FIG. 4 is a left side view thereof;
FIG. 5 is a right side view thereof;
FIG. 6 is a top view thereof; and,
FIG. 7 is a bottom view thereof.

(56) **References Cited**

U.S. PATENT DOCUMENTS

4,715,438 A * 12/1987 Gabuzda et al. 165/185
5,943,209 A * 8/1999 Liu 361/695

1 Claim, 4 Drawing Sheets



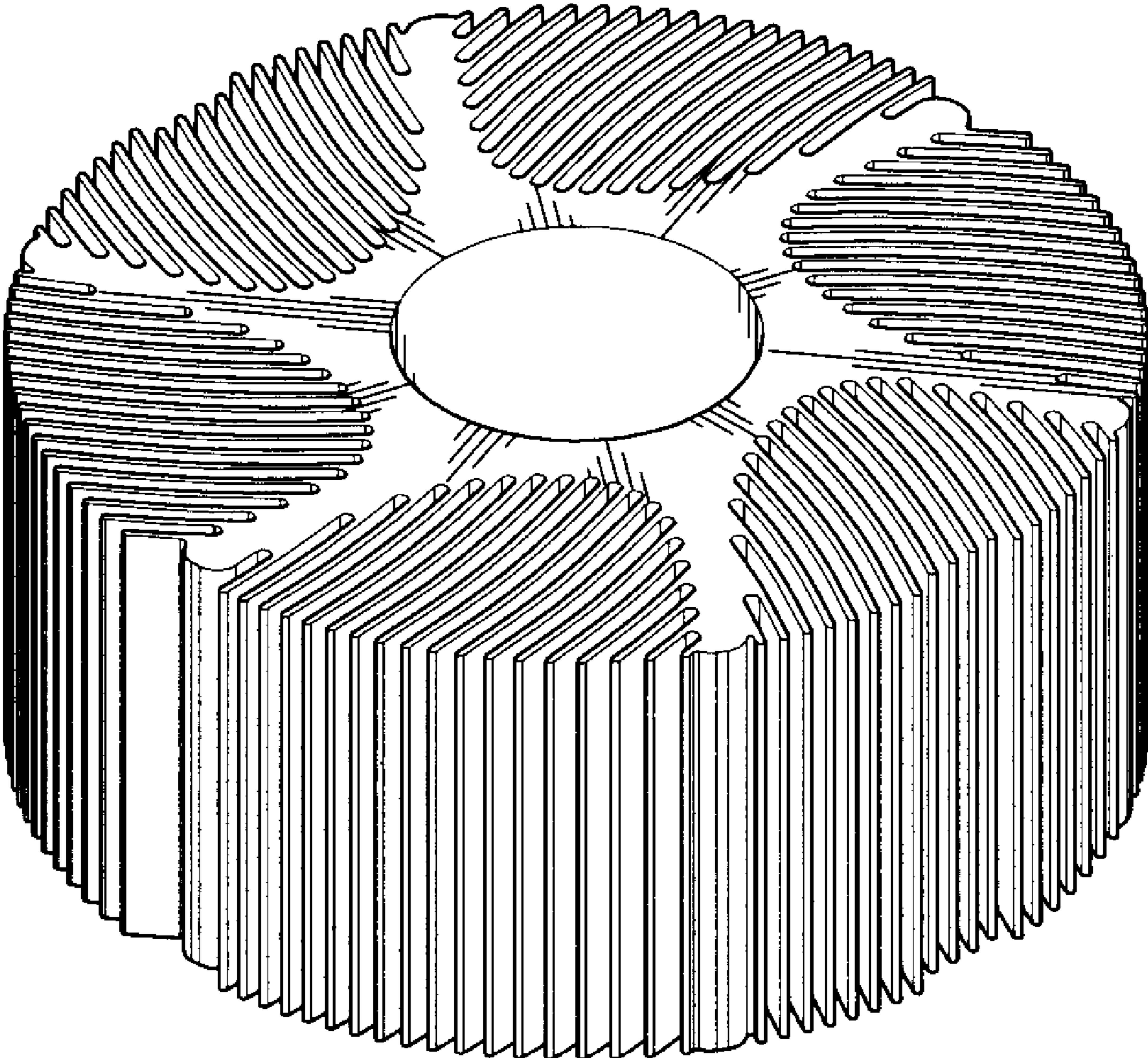


FIG. 1

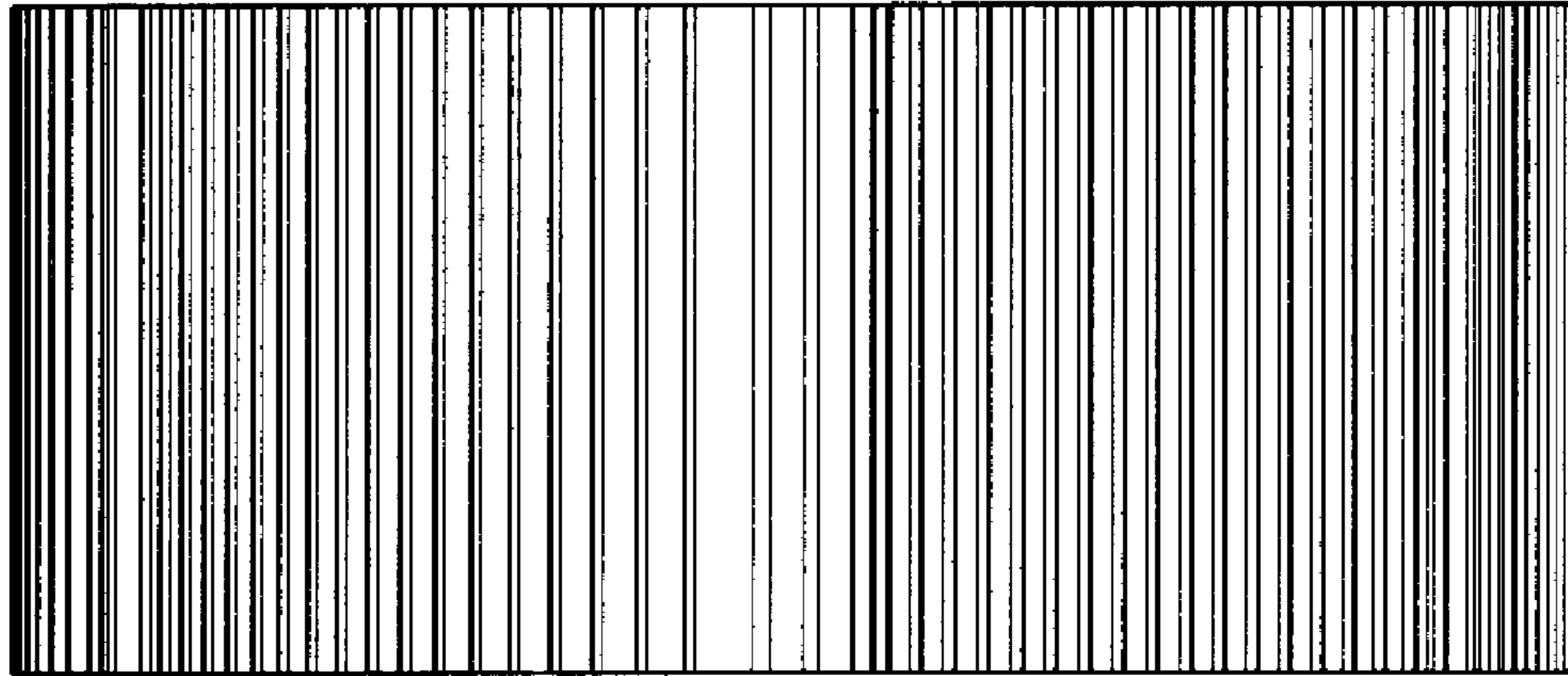


FIG. 2

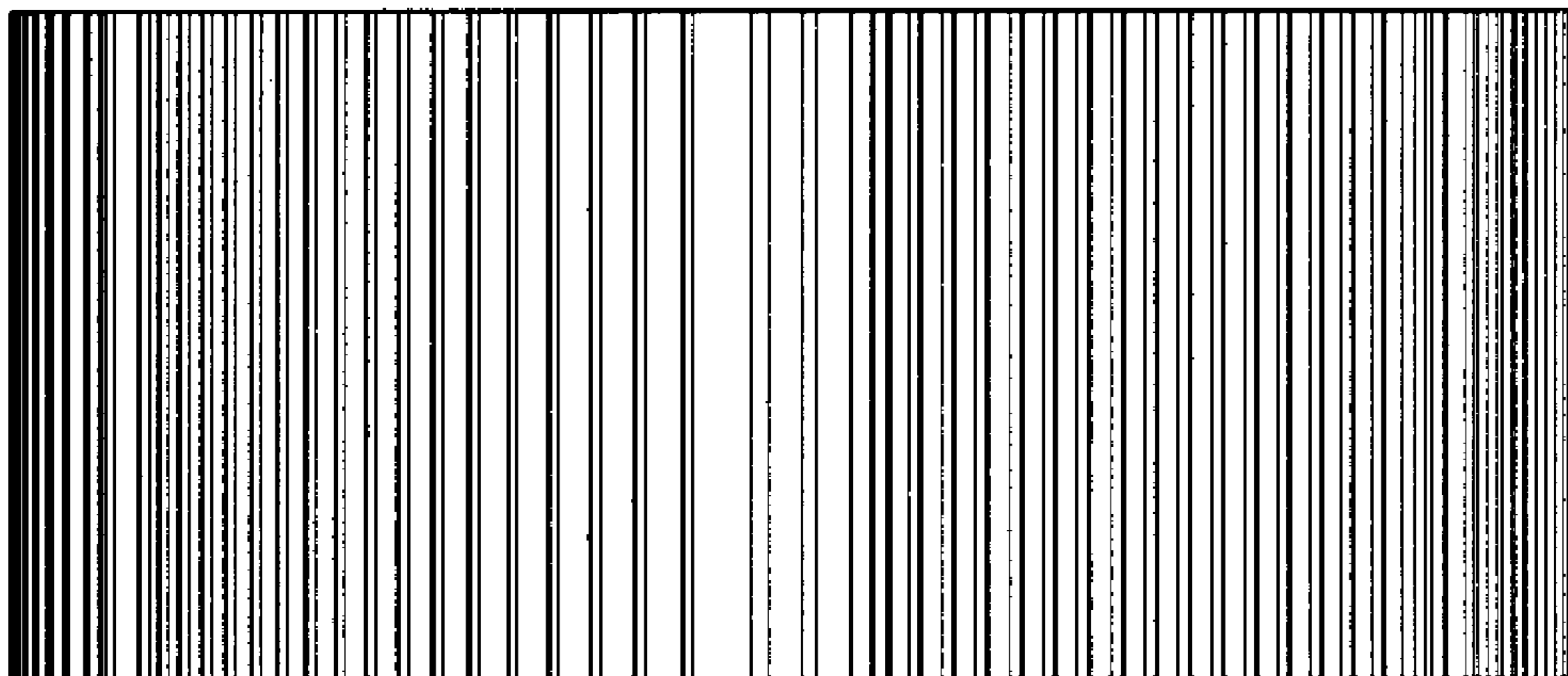


FIG. 3

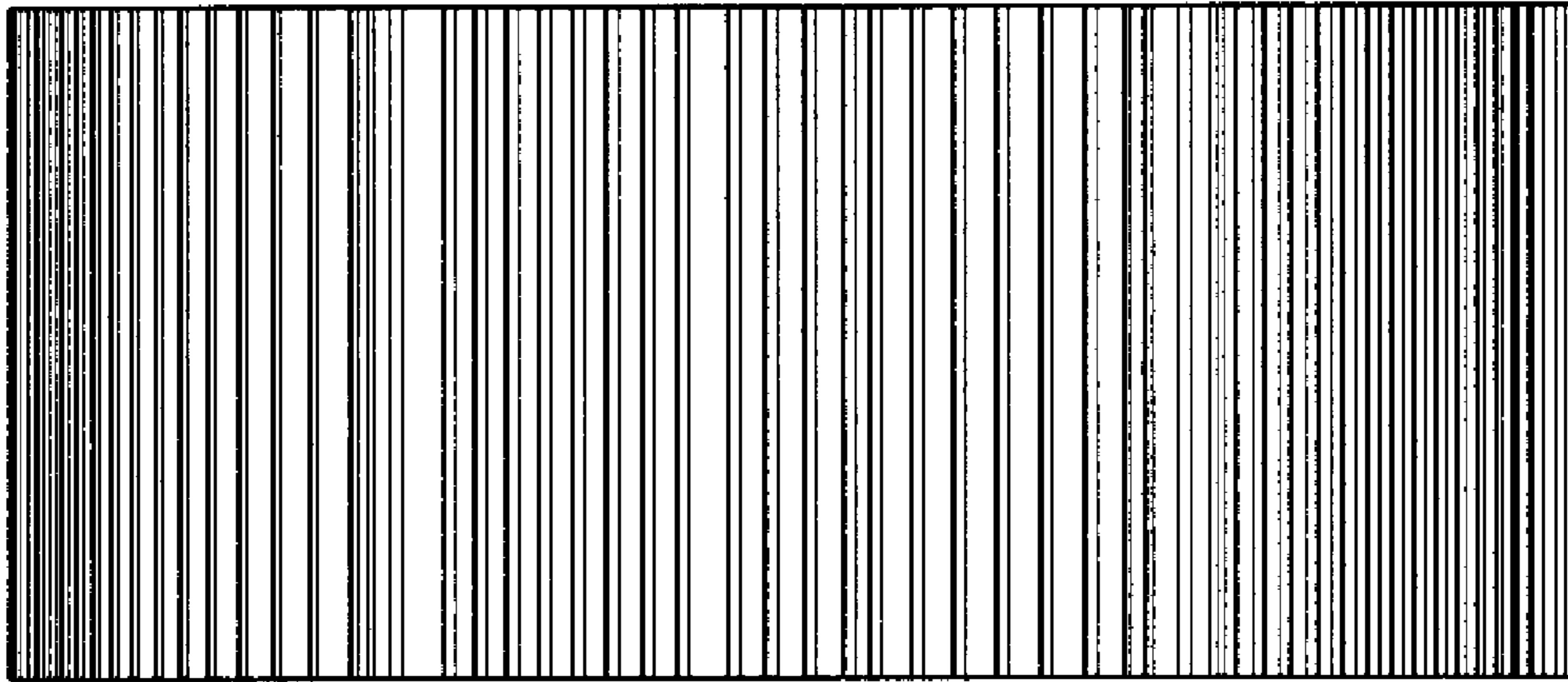


FIG. 4

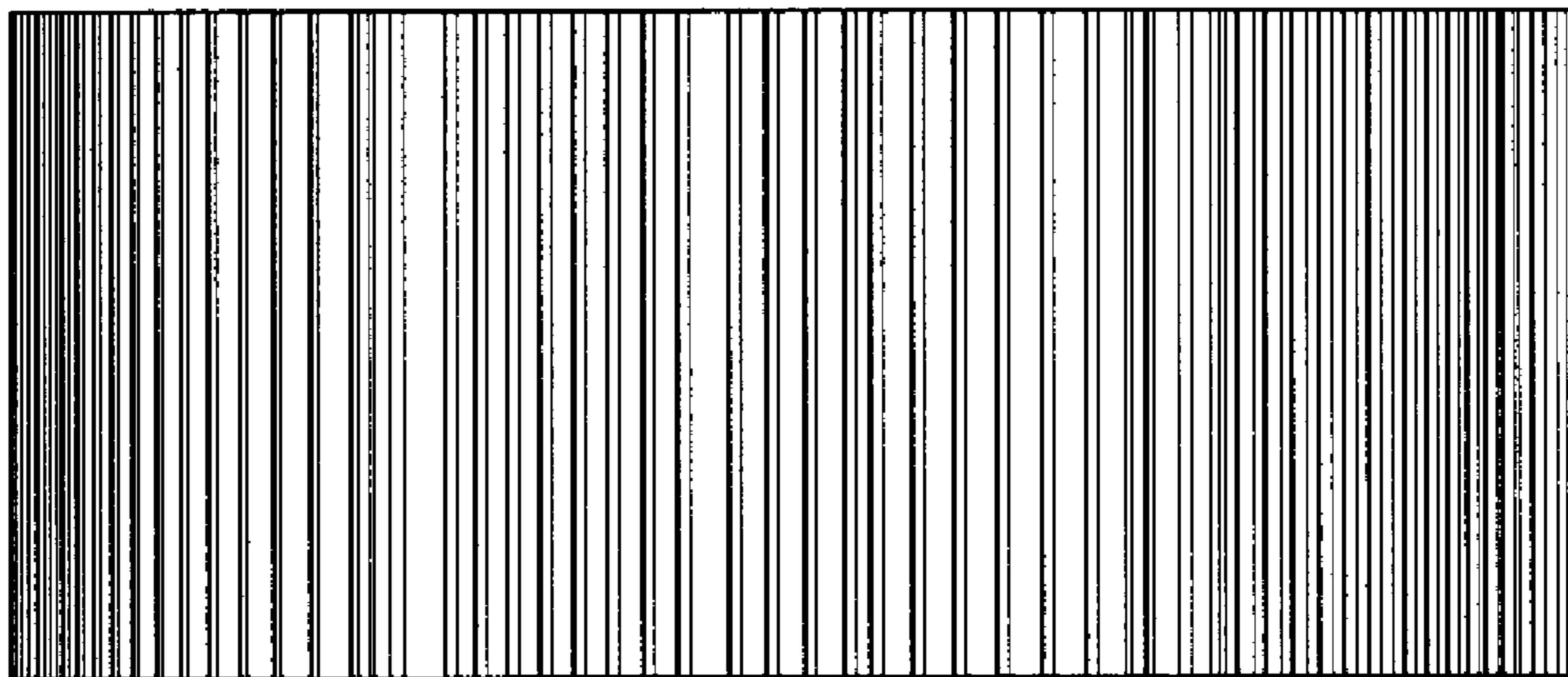


FIG. 5

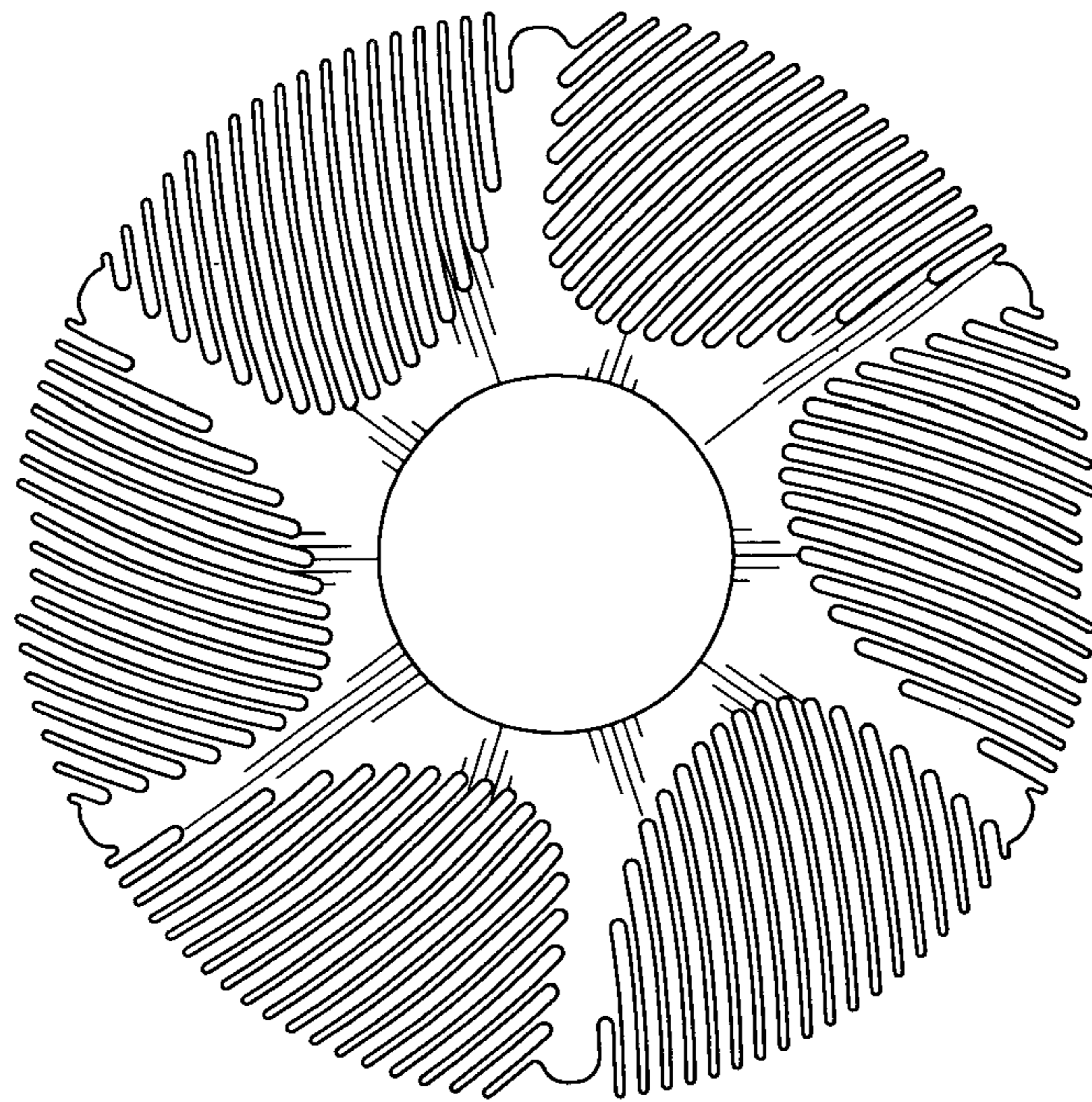


FIG. 6

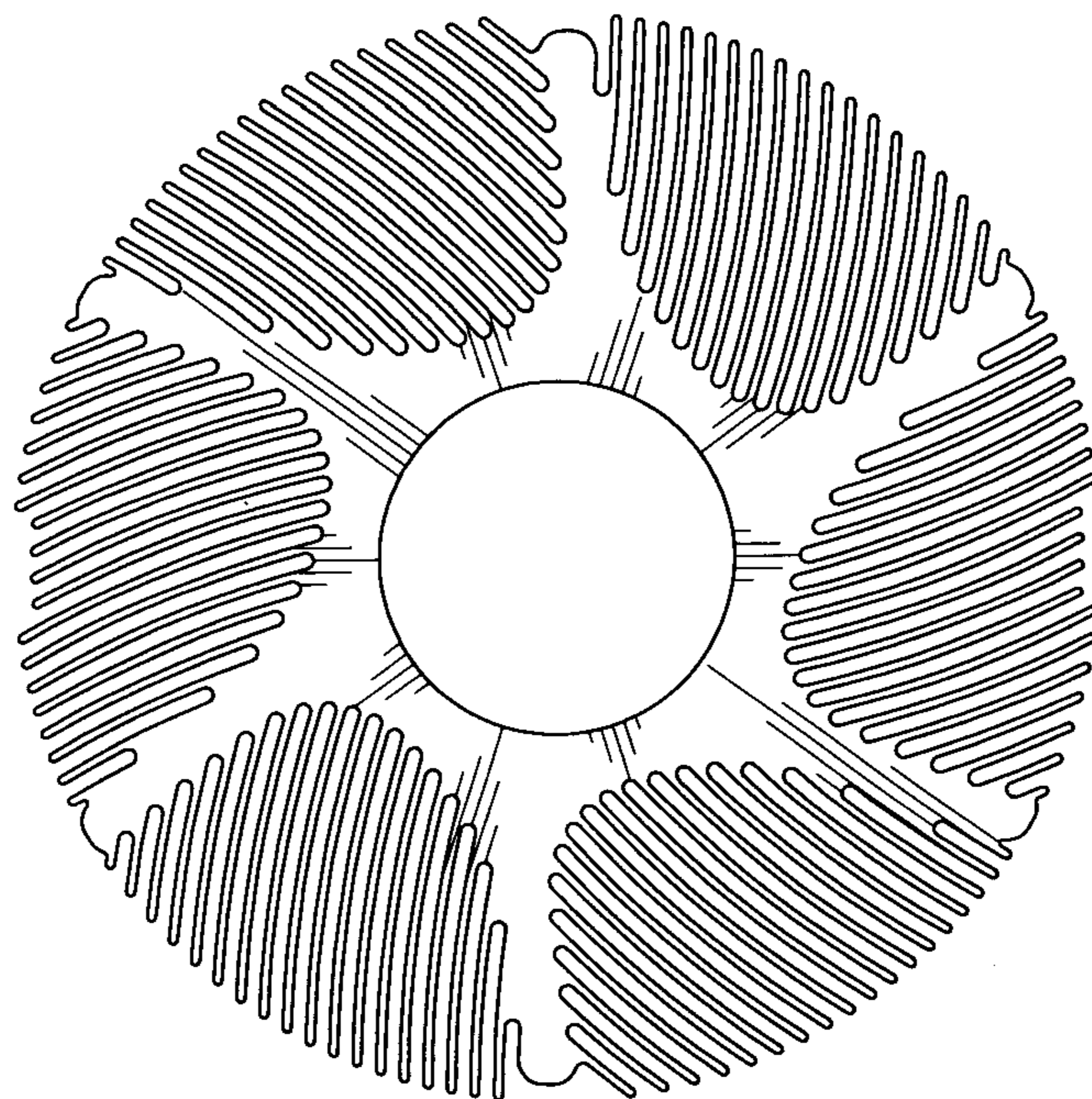


FIG. 7