

US00D500744S

(12) **United States Design Patent**  
**Michaud**

(10) **Patent No.: US D500,744 S**  
(45) **Date of Patent: \*\* Jan. 11, 2005**

(54) **SWITCH**

6,621,025 B2 \* 9/2003 Yei et al. .... 200/315

(75) Inventor: **Jan L. Michaud**, Cuyahoga Falls, OH  
(US)

(73) Assignee: **Delta Systems, Inc.**, Streetsboro, OH  
(US)

(\*\*) Term: **14 Years**

(21) Appl. No.: **29/185,498**

(22) Filed: **Jun. 27, 2003**

(51) **LOC (7) Cl.** ..... **13-03**

(52) **U.S. Cl.** ..... **D13/174; D13/169**

(58) **Field of Search** ..... D13/169, 170,  
D13/171, 174; 200/5 A, 5 R, 6 R, 296,  
302.3, 315, 339, 437, 553

(56) **References Cited**

**U.S. PATENT DOCUMENTS**

4,514,601	A	*	4/1985	Buchanan	.....	200/5 E
4,544,811	A	*	10/1985	Brevick	.....	200/5 R
4,772,767	A	*	9/1988	Sawada	.....	200/302.3
4,924,046	A		5/1990	Howard		
D309,290	S	*	7/1990	Newmark et al.	.....	D13/169
5,662,213	A	*	9/1997	Kattler et al.	.....	200/302.3
D464,329	S	*	10/2002	Mainiero	.....	D13/169
6,621,017	B2	*	9/2003	Shibutani et al.	.....	200/5 A

**OTHER PUBLICATIONS**

Eight photographs of Delta Systems switches sold more than one year before the filing date of the present application.

\* cited by examiner

*Primary Examiner*—Stella Reid

*Assistant Examiner*—Selina Sikder

(74) *Attorney, Agent, or Firm*—Watts Hoffmann Co., LPA

(57) **CLAIM**

I claim the ornamental design for a switch, as shown and described.

**DESCRIPTION**

FIG. 1 is a perspective view of the switch showing my new design;

FIG. 2 is a top plan view thereof;

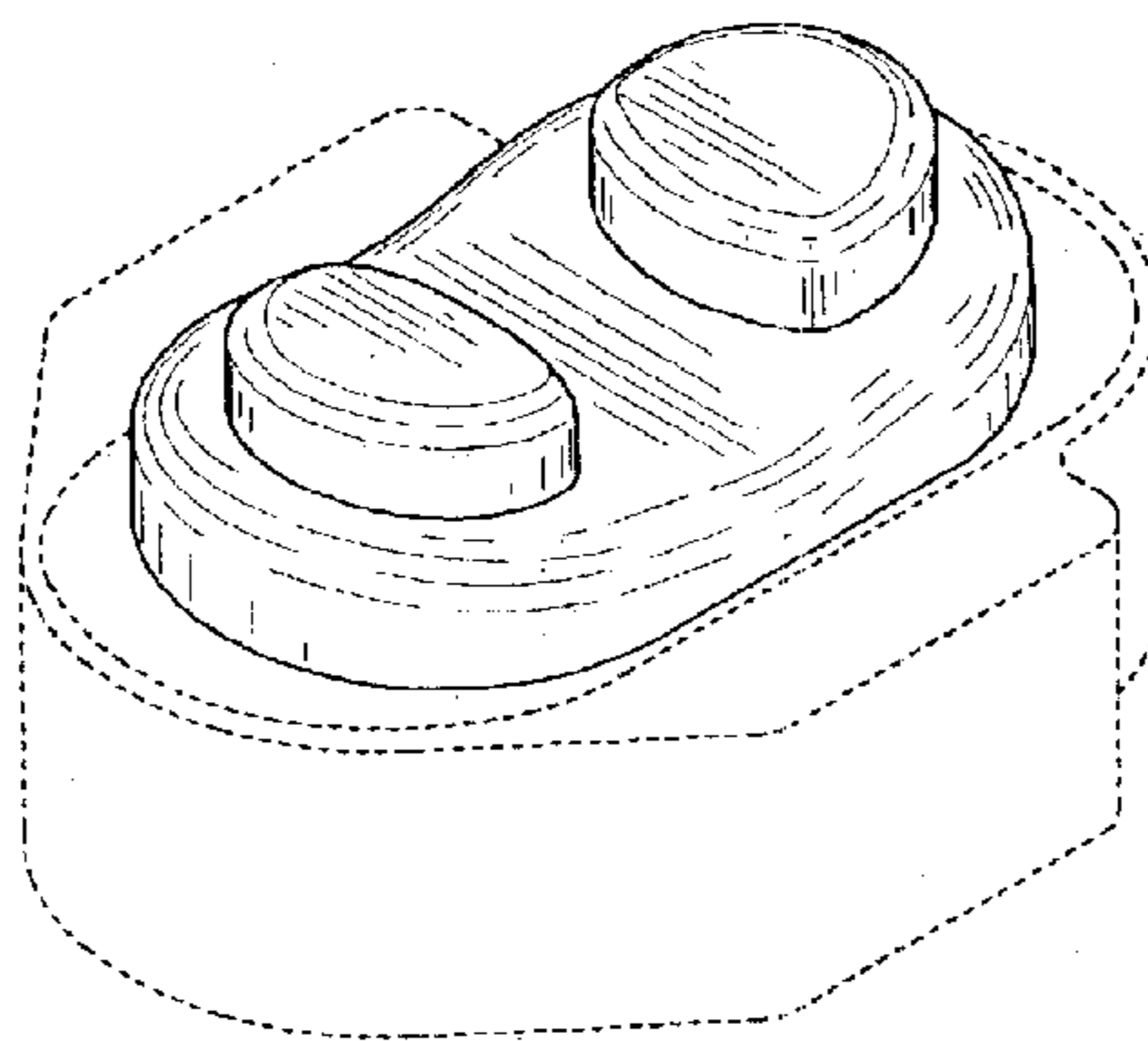
FIG. 3 is a bottom plan view thereof;

FIG. 4 is a left side elevation view, the right side elevation view being a mirror image thereof; and,

FIG. 5 is a front elevation view, the rear elevation view being a mirror image thereof.

The broken lines shown are for illustrative purposes only and form no part of the claimed design.

**1 Claim, 1 Drawing Sheet**



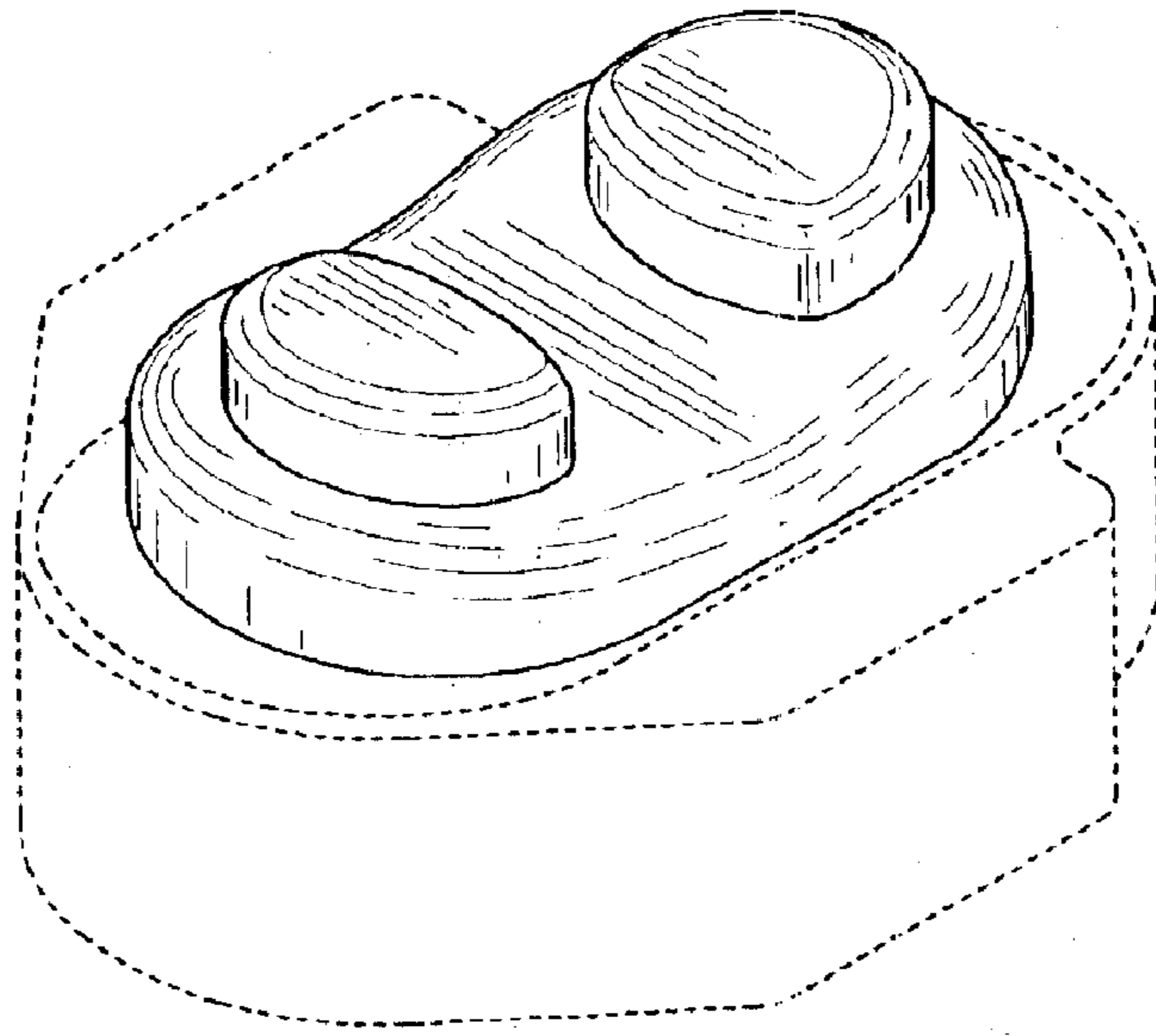


Figure 1

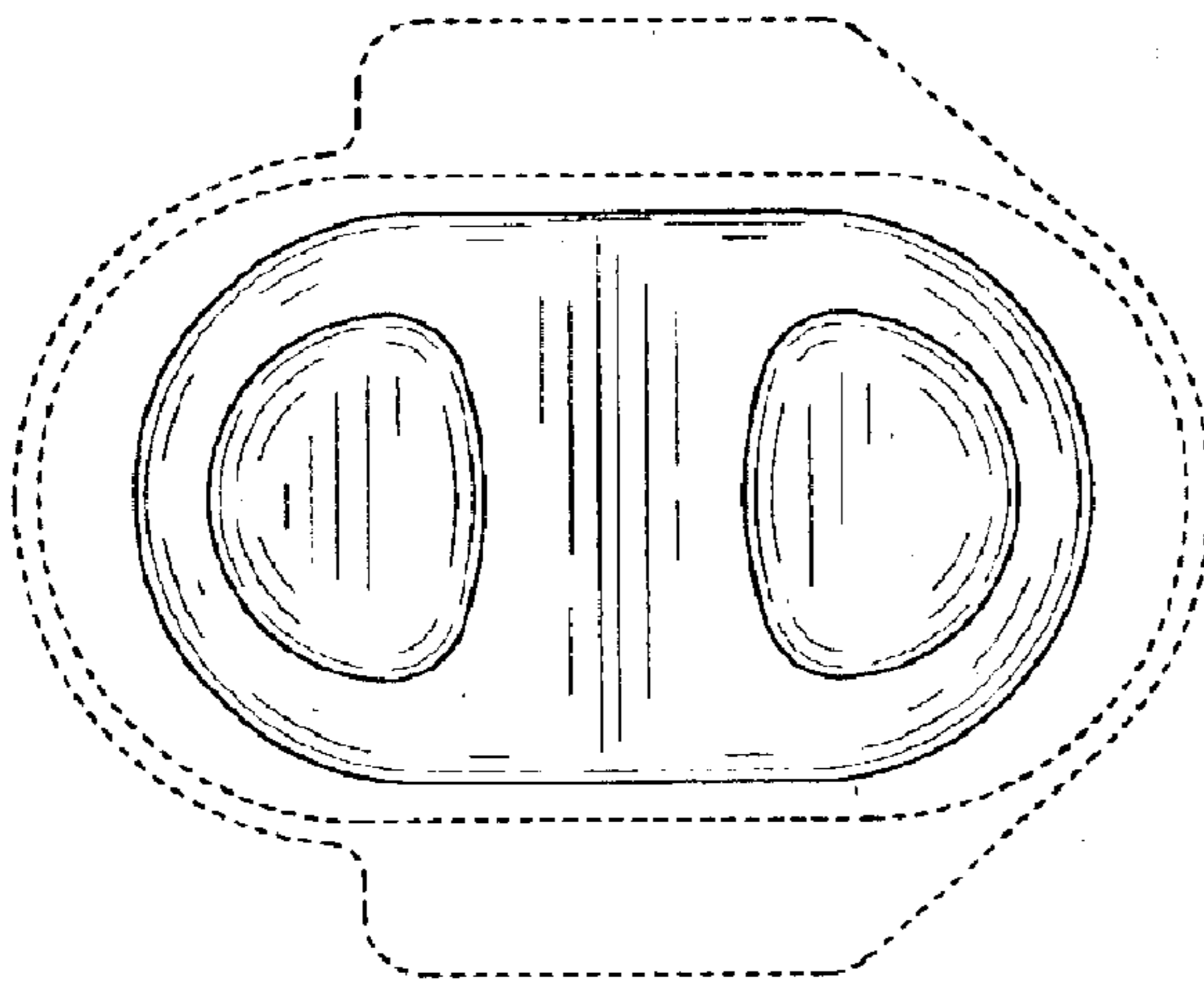


Figure 2

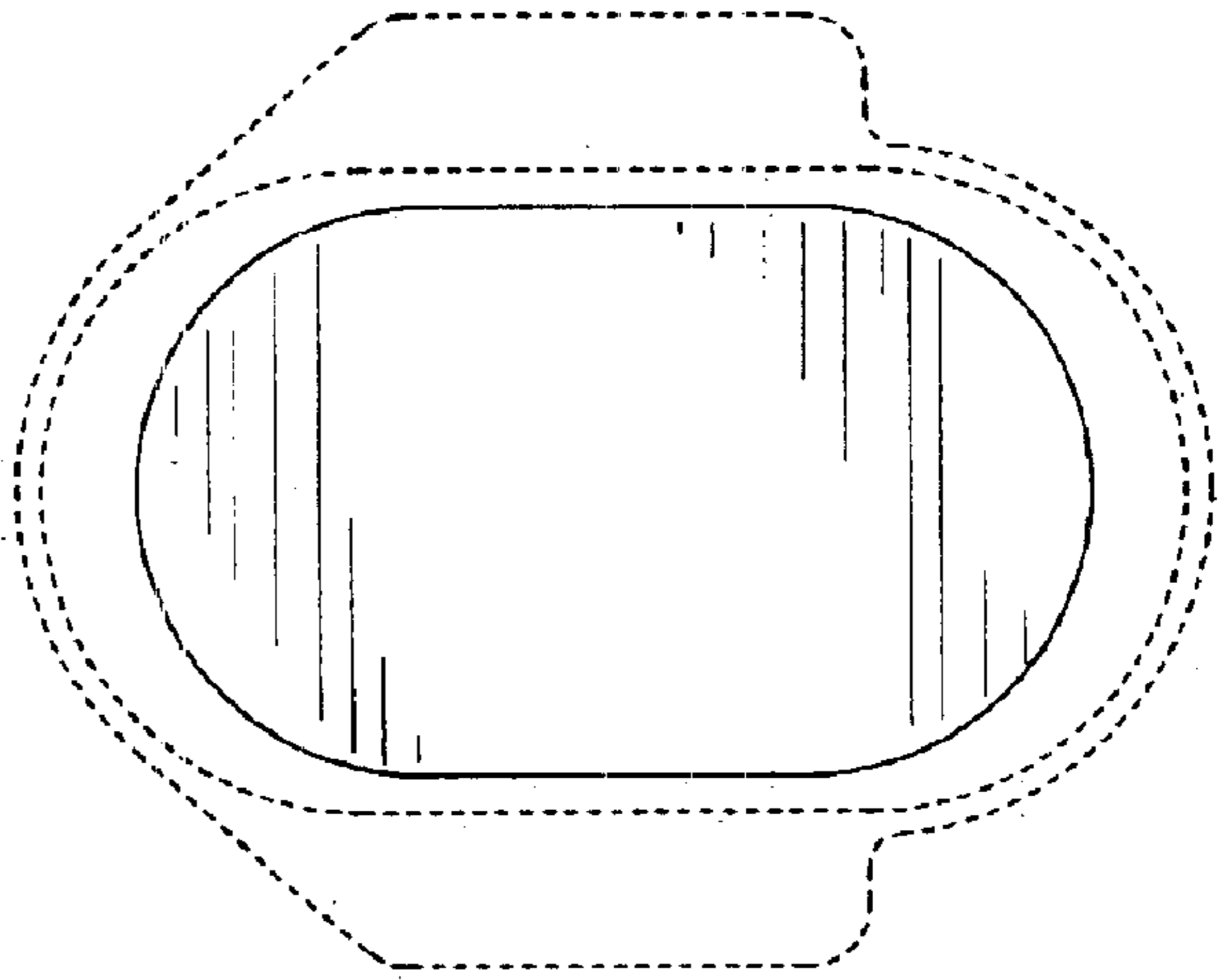


Figure 3

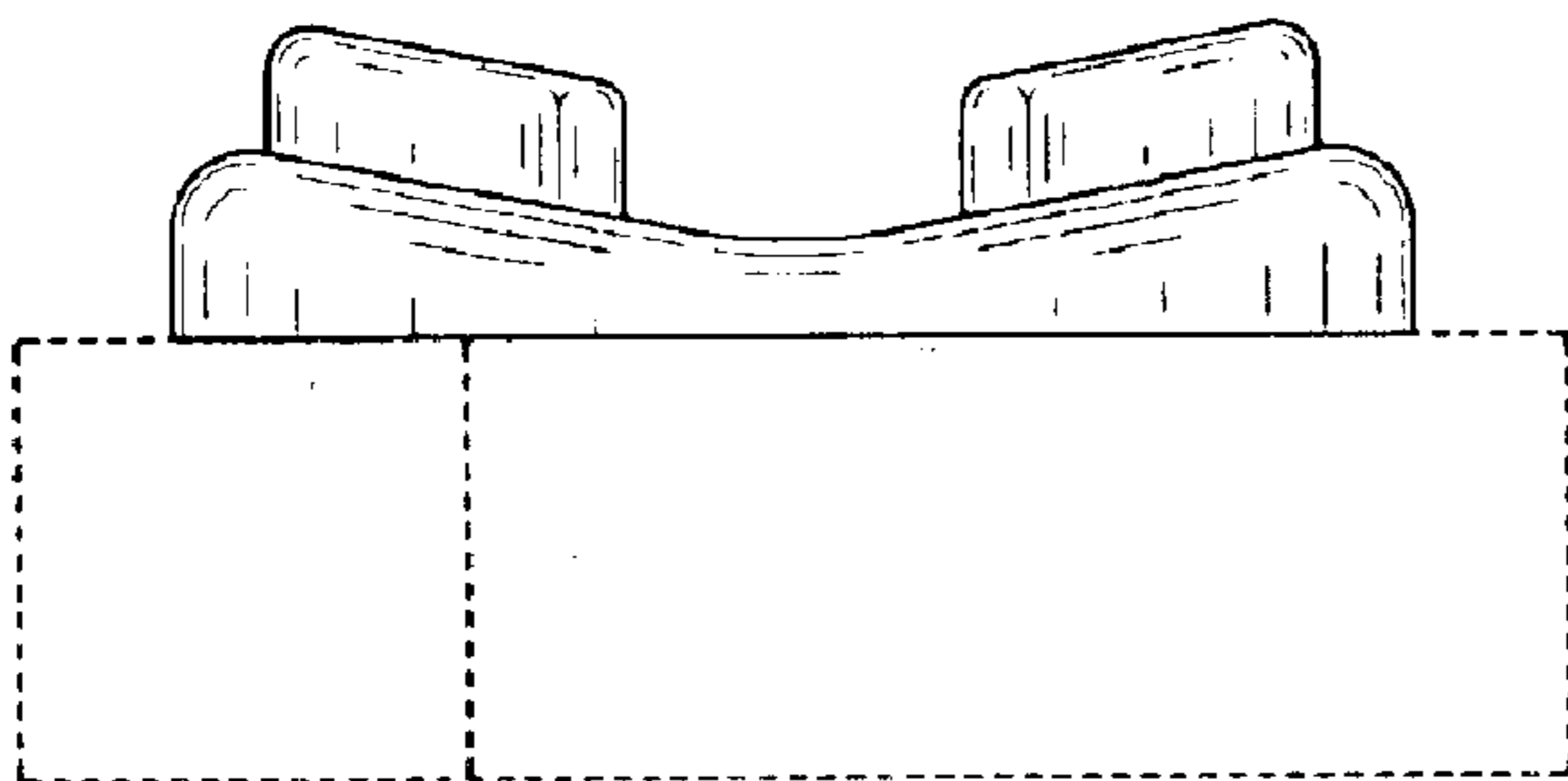


Figure 4

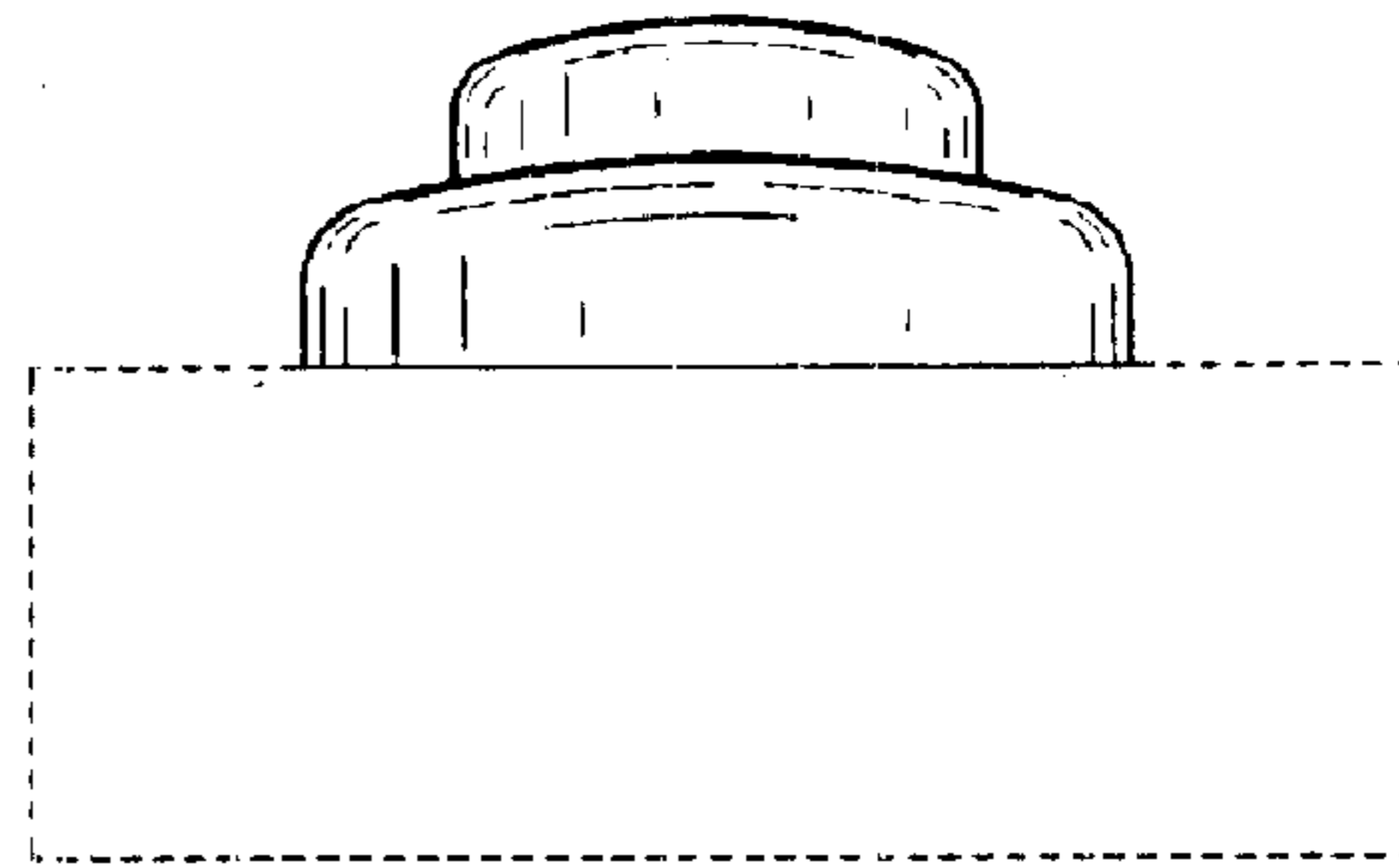


Figure 5