

US00D500741S

(12) **United States Design Patent**
Fan

(10) **Patent No.: US D500,741 S**
(45) **Date of Patent: ** Jan. 11, 2005**

(54) **ELECTRICAL CONNECTOR**
(75) Inventor: **Chia Hao Fan, Tu-Chen (TW)**
(73) Assignee: **Hon Hai Precision Ind. Co., Ltd.,
Taipei Hsien (TW)**
(**) Term: **14 Years**

D471,873 S * 3/2003 Kawase D13/147
6,634,894 B1 * 10/2003 Ko 439/108
6,672,887 B1 * 1/2004 Yu 439/108
D491,527 S * 6/2004 Fan D13/147
D491,528 S * 6/2004 Fan D13/147
2003/0096517 A1 * 5/2003 Ho 439/79
2004/0029415 A1 * 2/2004 Chih 439/74
2004/0058568 A1 * 3/2004 Ye et al. 439/74

* cited by examiner

Primary Examiner—Stella Reid
Assistant Examiner—Selina Sikder
(74) *Attorney, Agent, or Firm*—Wei Te Chung

(21) Appl. No.: **29/199,417**
(22) Filed: **Feb. 13, 2004**
(30) **Foreign Application Priority Data**

Oct. 24, 2003 (TW) 092306435

(51) **LOC (7) Cl. 13-03**
(52) **U.S. Cl. D13/147**
(58) **Field of Search D13/147; 439/74,
439/79, 83, 108, 181, 637, 638, 910**

(57) **CLAIM**

The ornamental design for an electrical connector, as shown.

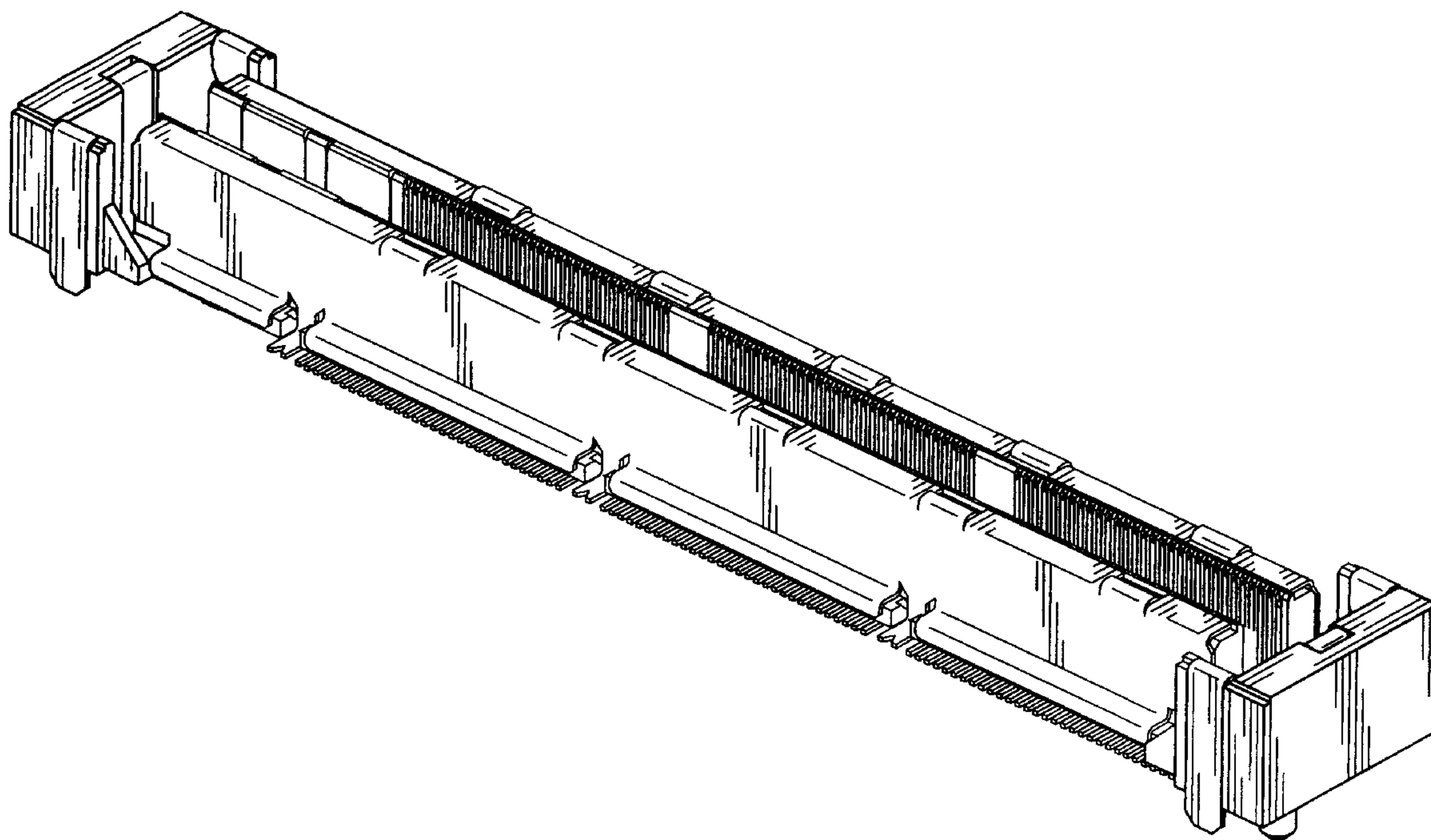
DESCRIPTION

FIG. 1 is a front, top and right side perspective view of an electrical connector showing my new design; FIG. 2 is a front elevational view thereof; FIG. 3 is a rear elevational view thereof; FIG. 4 is a left side elevational view thereof; FIG. 5 is a right side elevational view thereof; FIG. 6 is a top plan view thereof; and, FIG. 7 is a bottom plan view thereof.

(56) **References Cited**
U.S. PATENT DOCUMENTS

D451,884 S * 12/2001 Hisatomi et al. D13/147
D451,885 S * 12/2001 Hisatomi et al. D13/147
D455,127 S * 4/2002 Wu D13/147
D456,011 S * 4/2002 Shi et al. D13/147
D471,872 S * 3/2003 Kawase D13/147

1 Claim, 6 Drawing Sheets



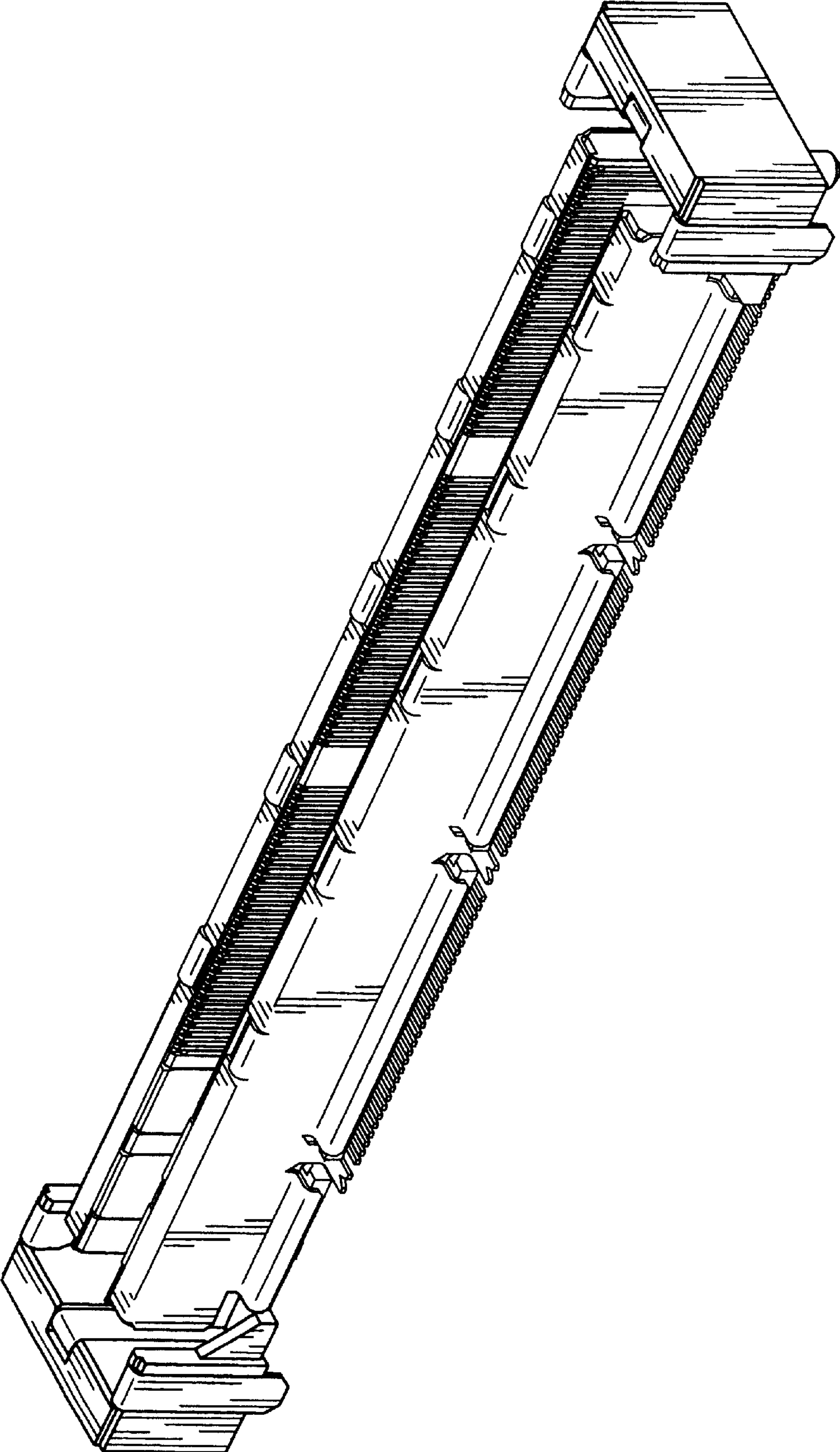


FIG. 1

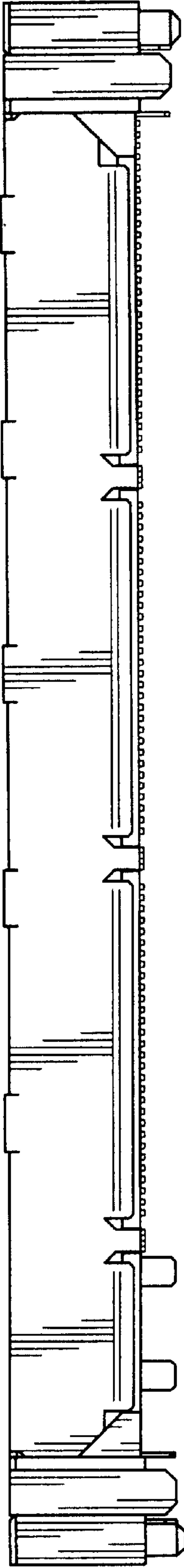


FIG. 2

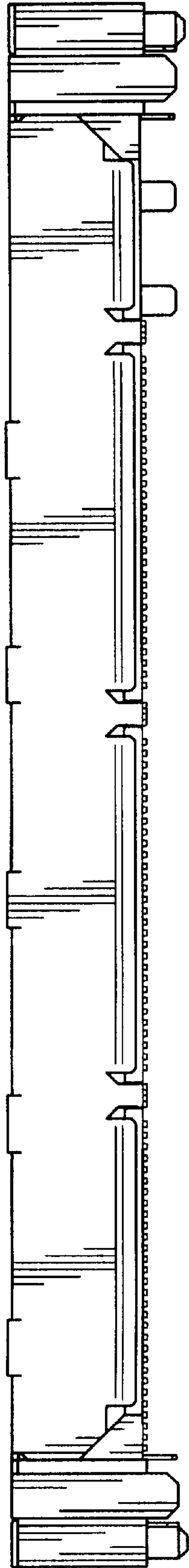


FIG. 3

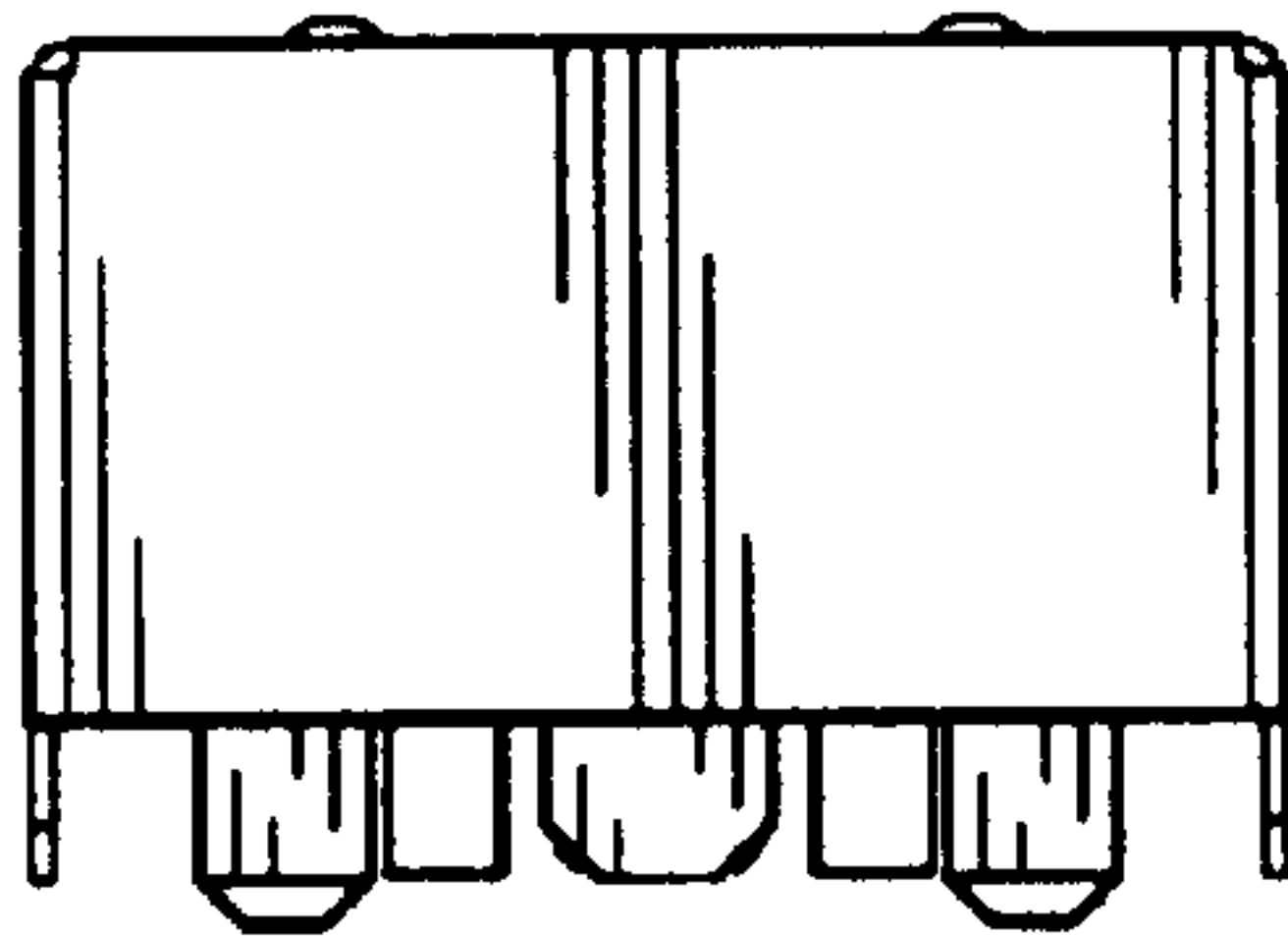


FIG. 4

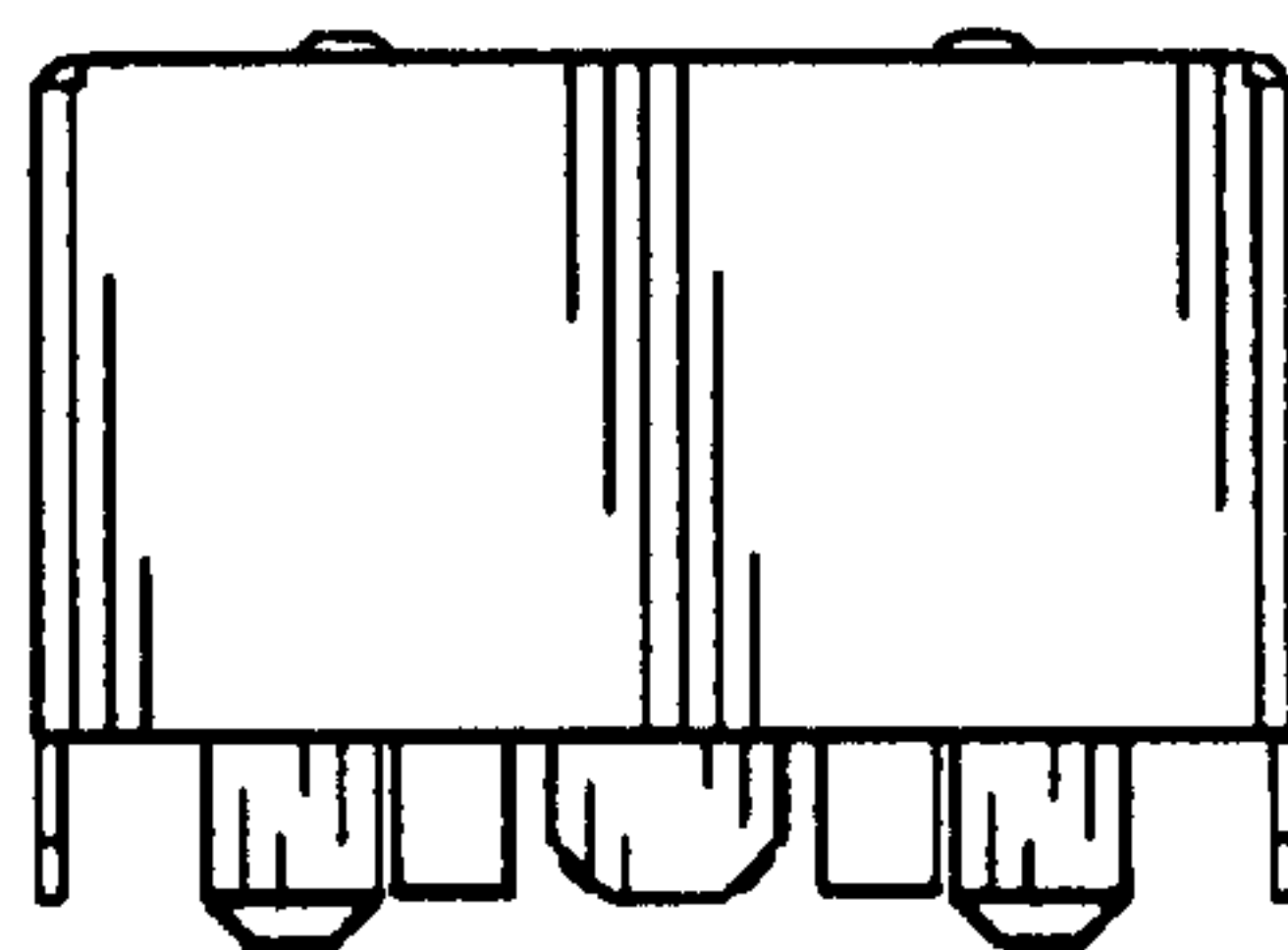


FIG. 5

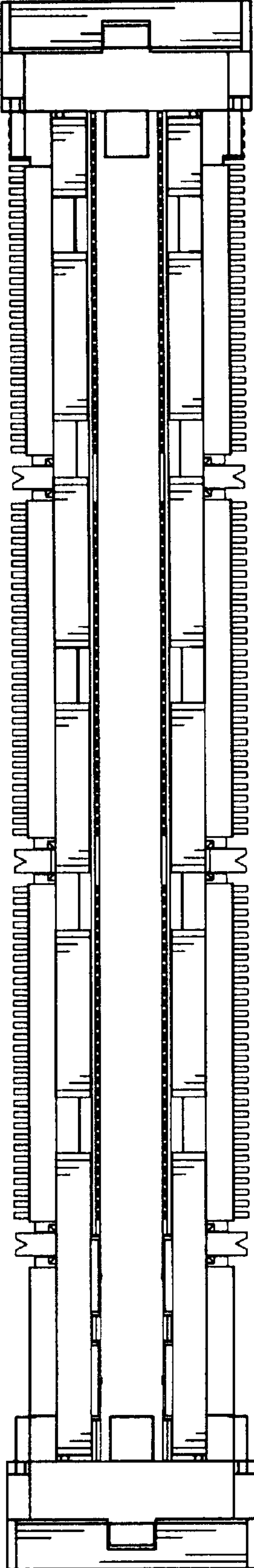


FIG. 6

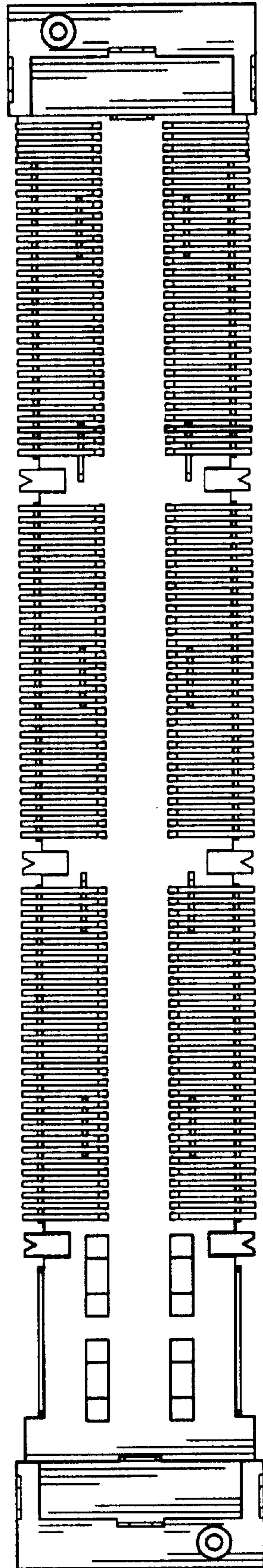


FIG. 7