

US00D500740S

(12) **United States Design Patent**
Fan

(10) **Patent No.:** **US D500,740 S**
(45) **Date of Patent:** **** Jan. 11, 2005**

- (54) **ELECTRICAL CONNECTOR**
- (75) **Inventor:** **Chia Hao Fan, Tu-Chen (TW)**
- (73) **Assignee:** **Hon Hai Precision Ind. Co., Ltd.,
Taipei Hsien (TW)**
- (**) **Term:** **14 Years**
- (21) **Appl. No.:** **29/199,414**
- (22) **Filed:** **Feb. 13, 2004**
- (30) **Foreign Application Priority Data**
Oct. 24, 2003 (TW) 92306436
- (51) **LOC (7) Cl.** **13-03**
- (52) **U.S. Cl.** **D13/147**
- (58) **Field of Search** D13/147; 439/74,
439/79, 83, 108, 181, 637, 638, 910

(56) **References Cited**

U.S. PATENT DOCUMENTS

D451,884 S	*	12/2001	Hisatomi et al.	D13/147
D451,885 S	*	12/2001	Hisatomi et al.	D13/147
D455,127 S	*	4/2002	Wu	D13/147
D456,011 S	*	4/2002	Shi et al.	D13/147
D471,872 S	*	3/2003	Kawase	D13/147

D471,873 S	*	3/2003	Kawase	D13/147
6,634,894 B1	*	10/2003	Ko	439/108
6,672,887 B1	*	1/2004	Yu	439/108
D491,527 S	*	6/2004	Fan	D13/147
D491,528 S	*	6/2004	Fan	D13/147
2003/0096517 A1	*	5/2003	Ho	439/79
2004/0029415 A1	*	2/2004	Chih	439/74
2004/0058568 A1	*	3/2004	Ye et al.	439/74

* cited by examiner

Primary Examiner—Stella Reid
Assistant Examiner—Selina Sikder
(74) *Attorney, Agent, or Firm*—Wei Te Chung

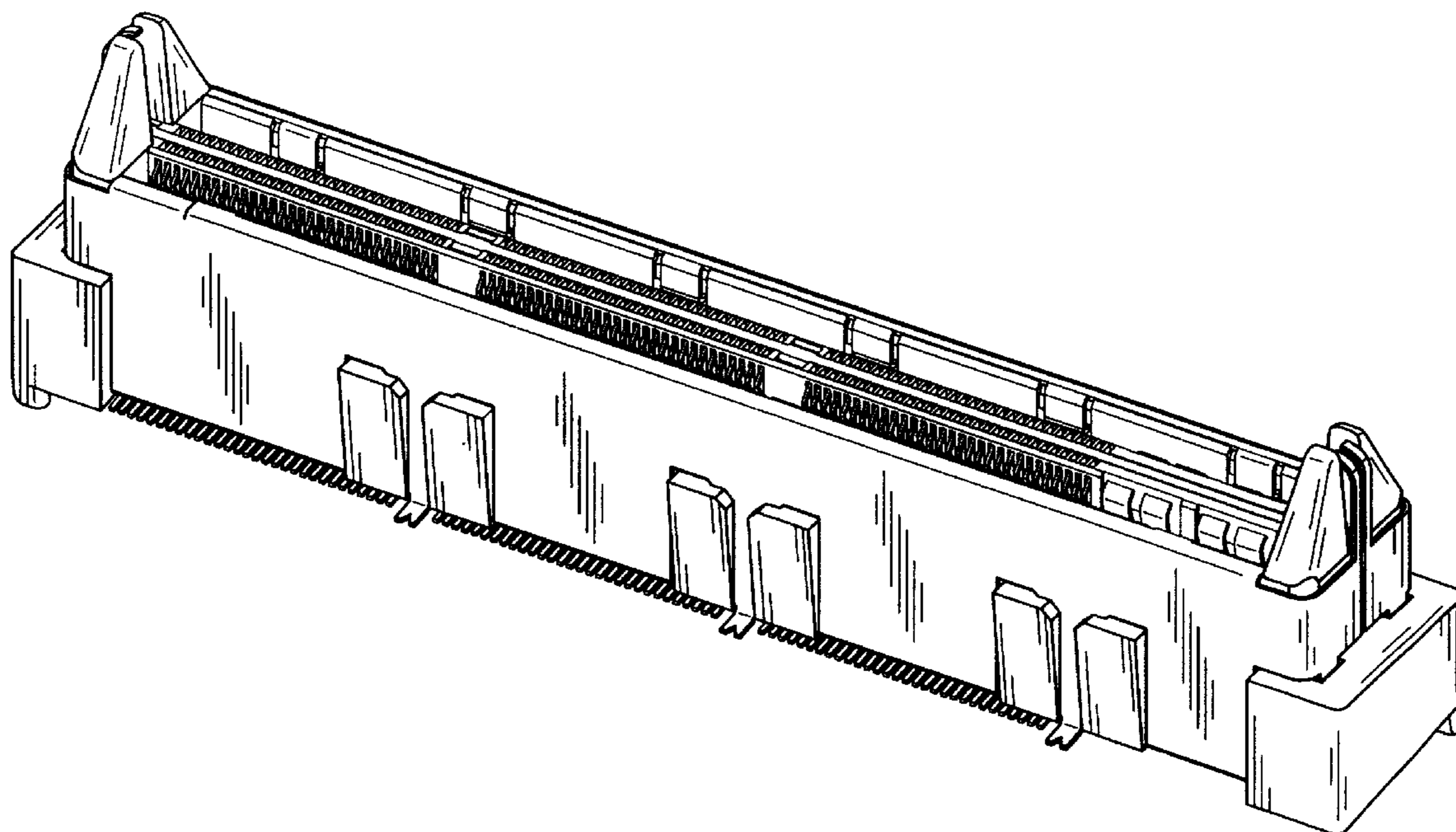
(57) **CLAIM**

The ornamental design for an electrical connector, as shown.

DESCRIPTION

FIG. 1 is a front, top and right side perspective view of an electrical connector showing my new design; FIG. 2 is a front elevational view thereof; FIG. 3 is a rear elevational view thereof; FIG. 4 is a left side elevational view thereof; FIG. 5 is a right side elevational view thereof; FIG. 6 is a top plan view thereof; and, FIG. 7 is a bottom plan view thereof.

1 Claim, 7 Drawing Sheets



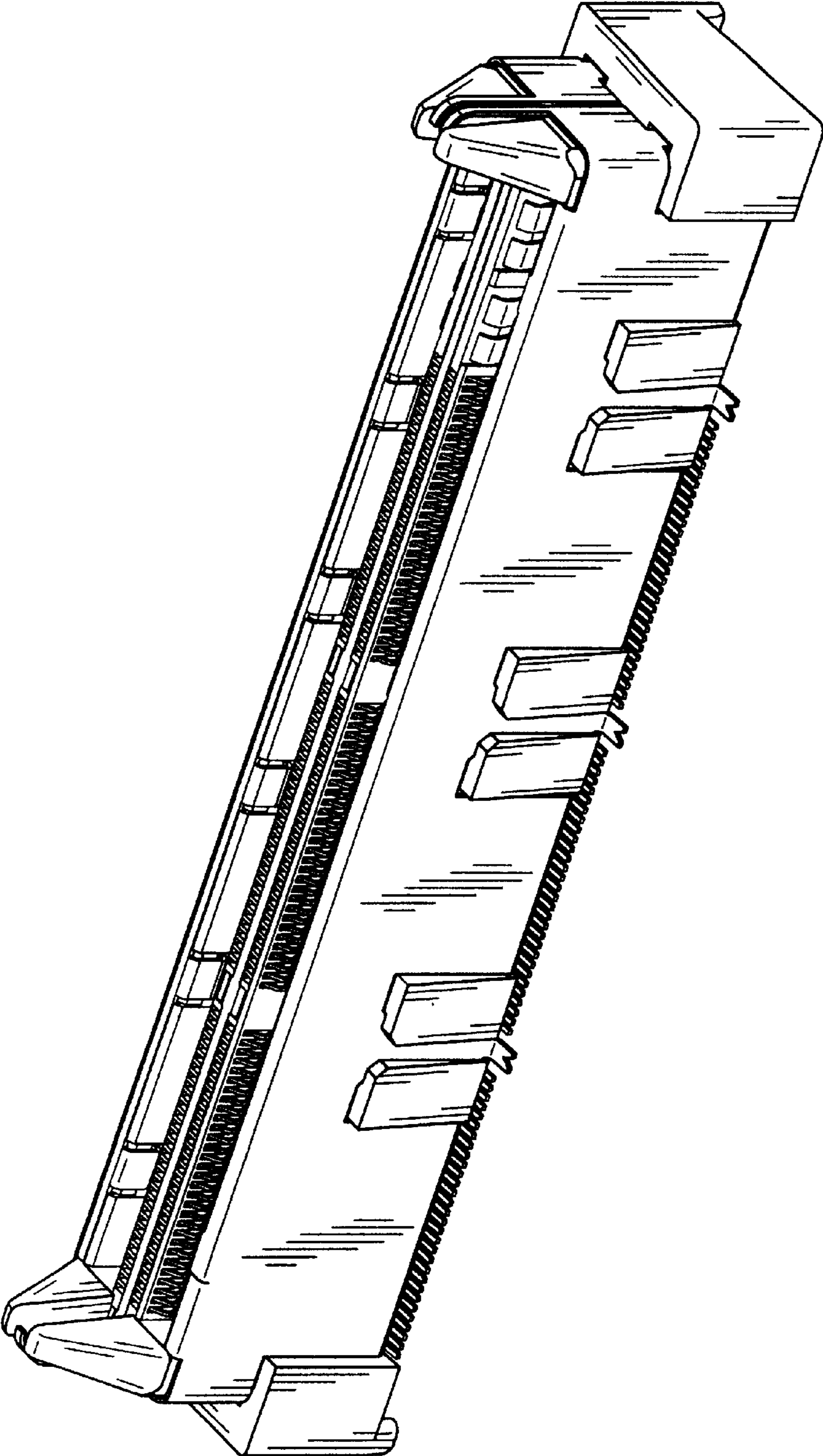


FIG. 1

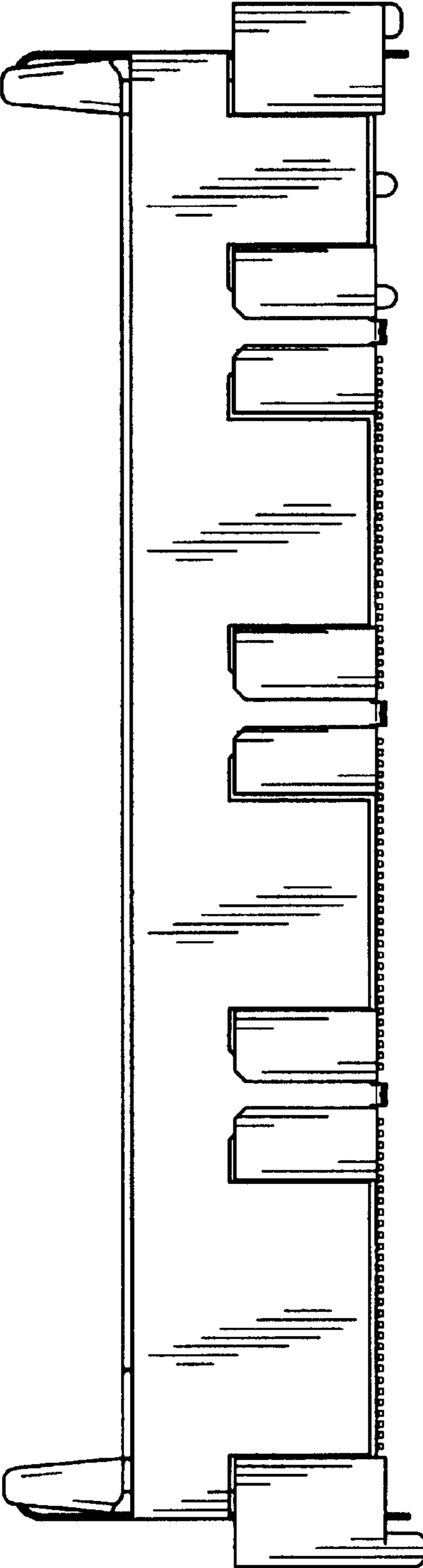


FIG. 2

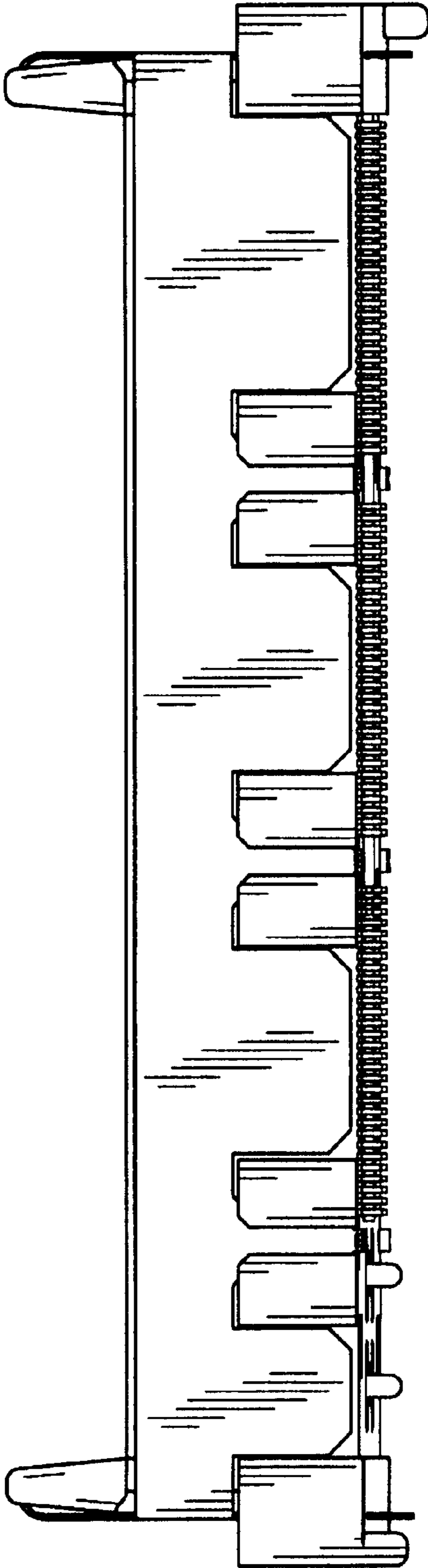


FIG. 3

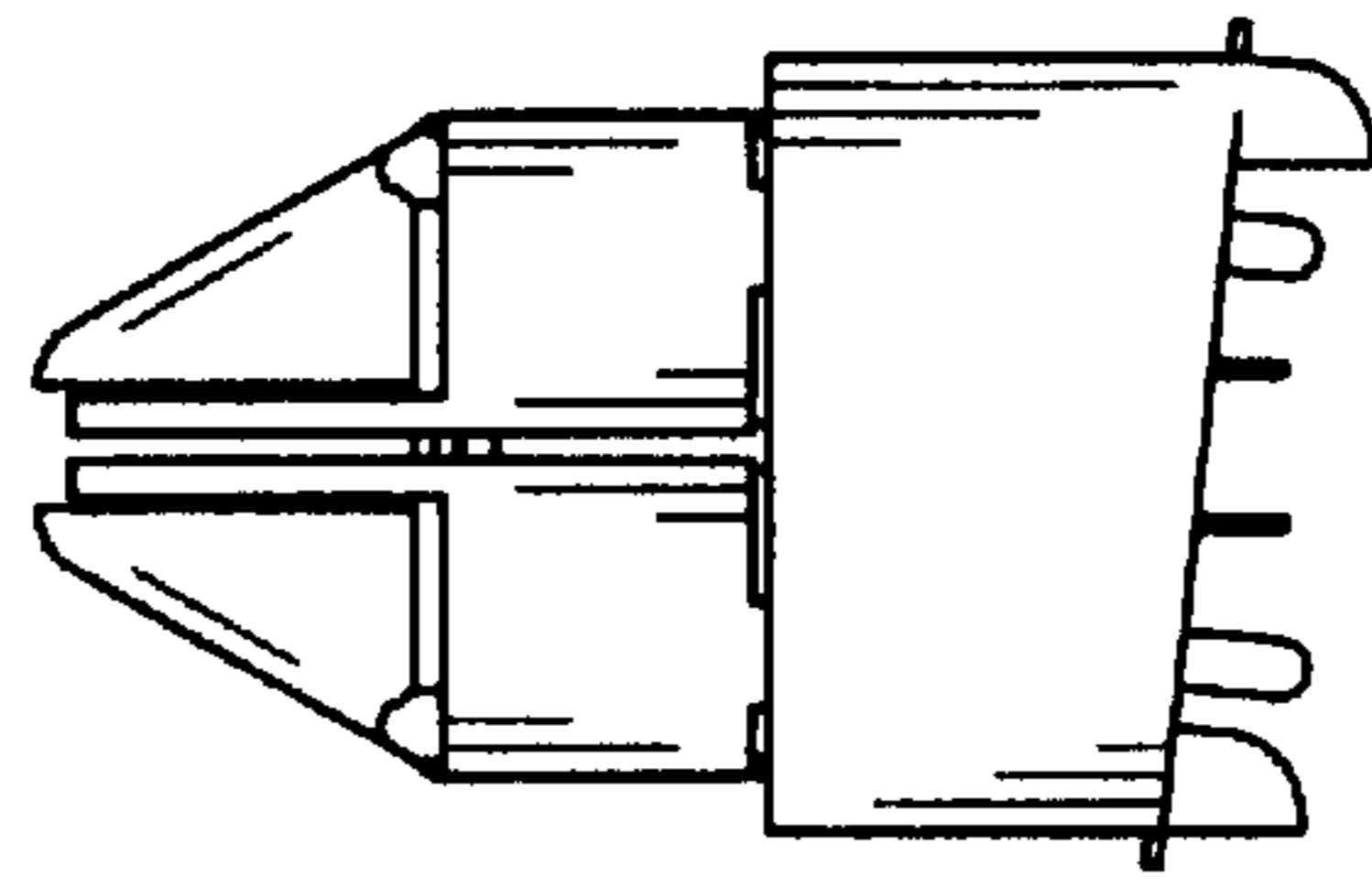


FIG. 4

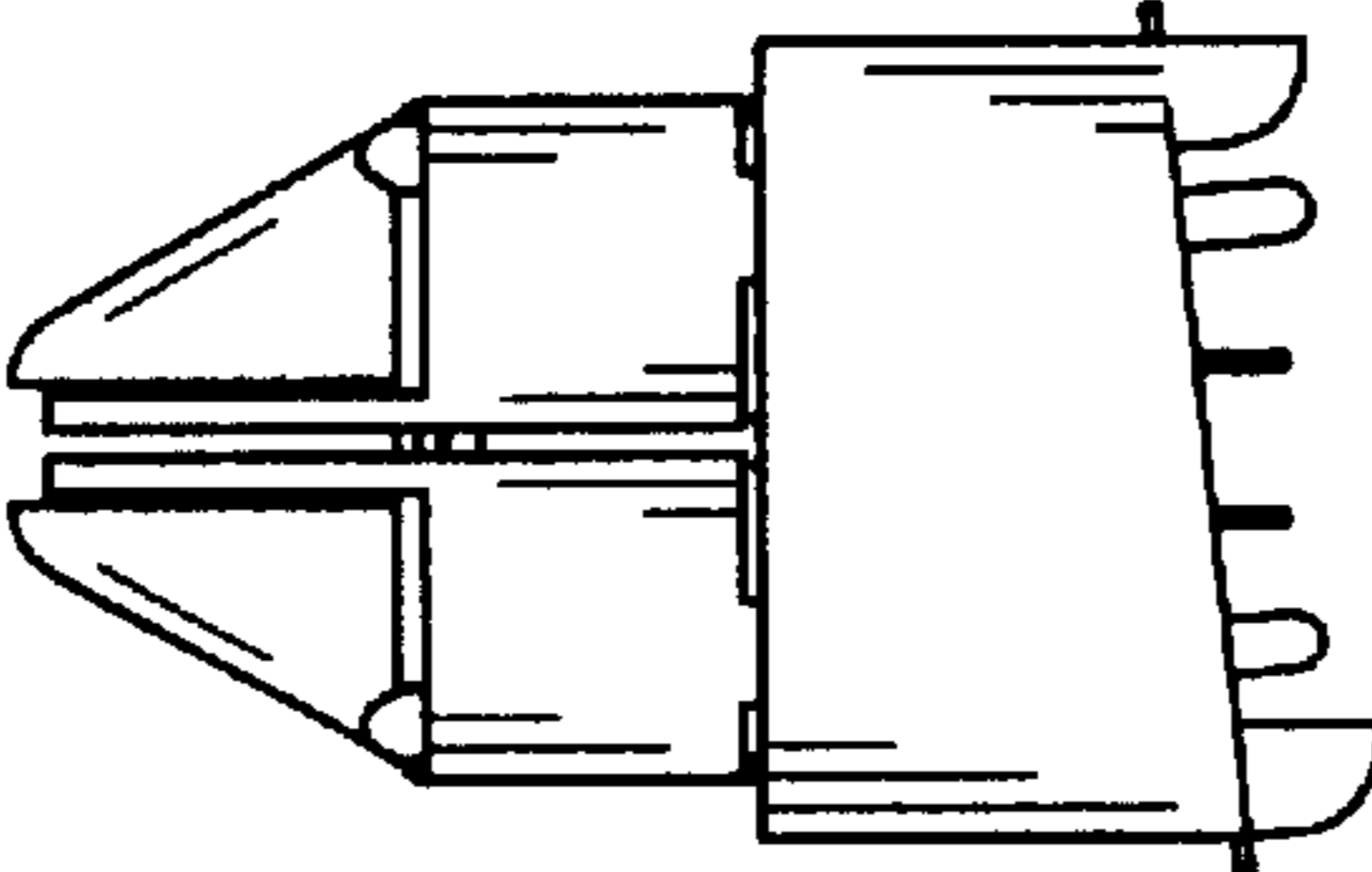


FIG. 5

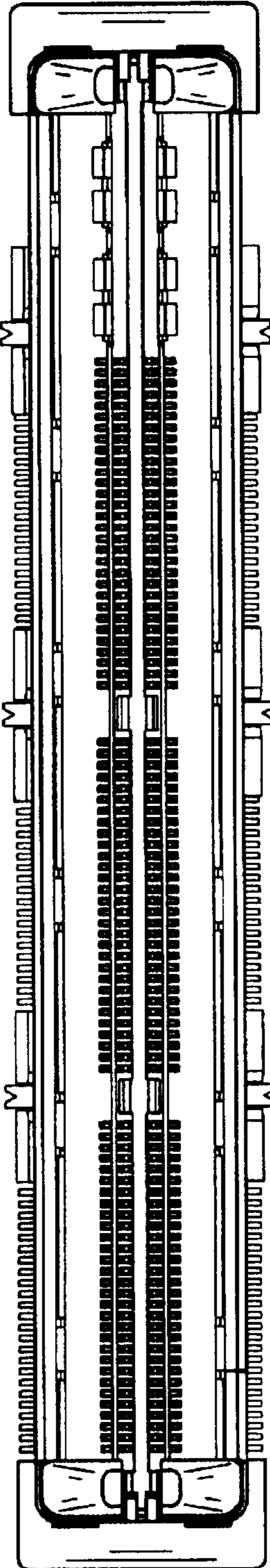


FIG. 6

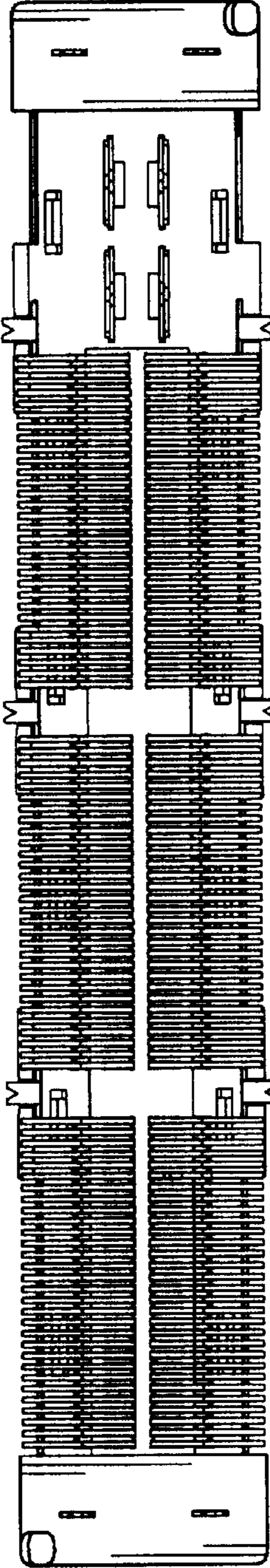


FIG. 7