

US00D500735S

(12) **United States Design Patent**
Shirae et al.

(10) **Patent No.: US D500,735 S**
(45) **Date of Patent: ** Jan. 11, 2005**

(54) **ELECTRICAL CONNECTOR**

D461,772 S * 8/2002 Zhou D13/133
D462,055 S * 8/2002 Shi et al. D13/133

(75) Inventors: **Yutaka Shirae**, Kyoto (JP); **Kazuo Yoneyama**, Kyoto (JP); **Hideki Nishiyama**, Osaka (JP); **Hiroshi Uchida**, Osaka (JP)

* cited by examiner

Primary Examiner—Stella Reid
Assistant Examiner—Daniel Bui

(73) Assignee: **Hosiden Corporation**, Osaka (JP)

(74) *Attorney, Agent, or Firm*—Akin Gump Strauss Hauer & Feld LLP

(**) Term: **14 Years**

(57) **CLAIM**

(21) Appl. No.: **29/183,256**

The ornamental design for an electrical connector, as shown and described.

(22) Filed: **Jun. 9, 2003**

DESCRIPTION

(30) **Foreign Application Priority Data**

Dec. 13, 2002 (JP) 2002-034666

FIG. 1 is a front elevational view of an electrical connector in accordance with my new design;
FIG. 2 is a top plan view thereof;
FIG. 3 is a rear elevational view thereof;
FIG. 4 is a bottom plan view thereof;
FIG. 5 is a right side elevational view thereof;
FIG. 6 is a left side elevational view thereof;
FIG. 7 is a right side elevational view thereof with the contact parts thereof pushed slightly into the body;
FIG. 8 is bottom plan view thereof with the contact parts slightly pushed into the body;
FIG. 9 is a cross-sectional view taken along the line 9—9 in FIG. 1;
FIG. 10 is a cross-sectional view taken along the line 10—10 in FIG. 1; and,
FIG. 11 is a perspective view thereof.

- (51) **LOC (7) Cl.** **13-03**
- (52) **U.S. Cl.** **D13/133**
- (58) **Field of Search** D13/133, 146, D13/147, 154; D14/256; 439/344, 395, 409, 607, 676

(56) **References Cited**

U.S. PATENT DOCUMENTS

- D300,424 S * 3/1989 Matsuzaki et al. D13/147
- D300,921 S * 5/1989 Tetreault D13/154
- D315,717 S * 3/1991 Takenouchi et al. D13/146
- D317,899 S * 7/1991 Takenouchi et al. D13/133
- D322,062 S * 12/1991 Takenouchi et al. D13/133
- D335,864 S * 5/1993 Kensaku et al. D13/133
- D418,109 S * 12/1999 Lok D13/133
- D461,450 S * 8/2002 Cheng et al. D13/133

1 Claim, 6 Drawing Sheets

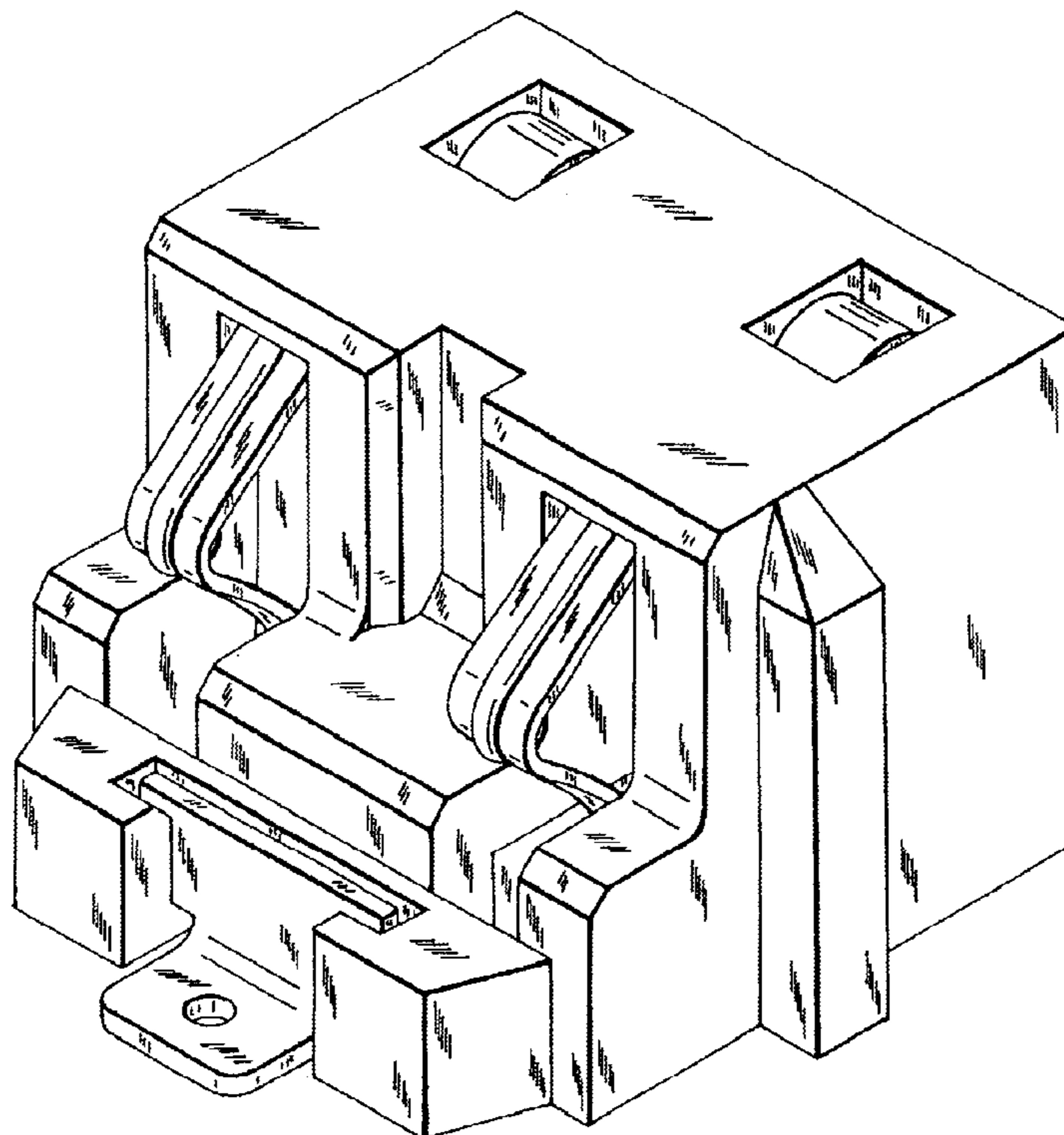


Fig. 1

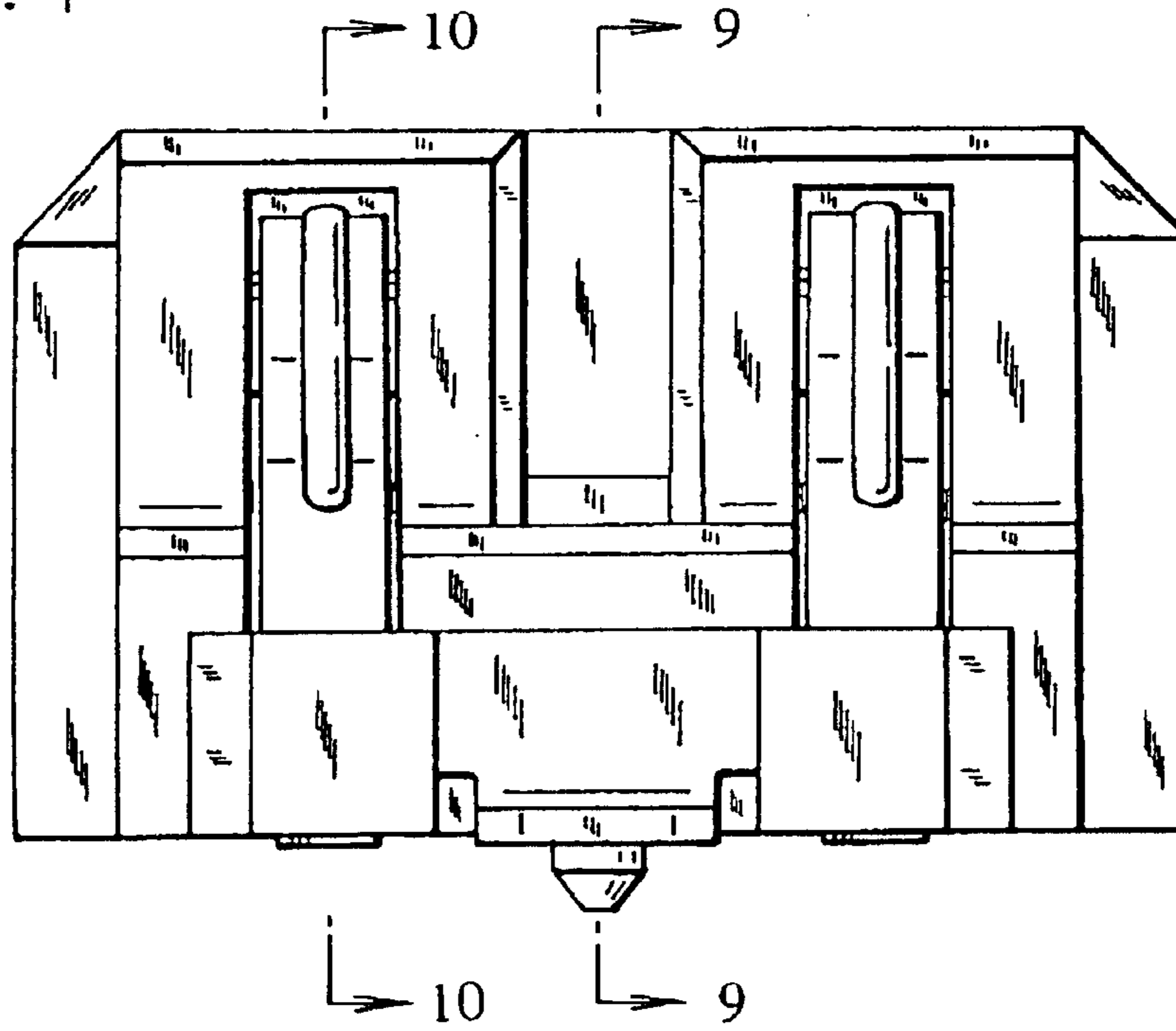


Fig. 2

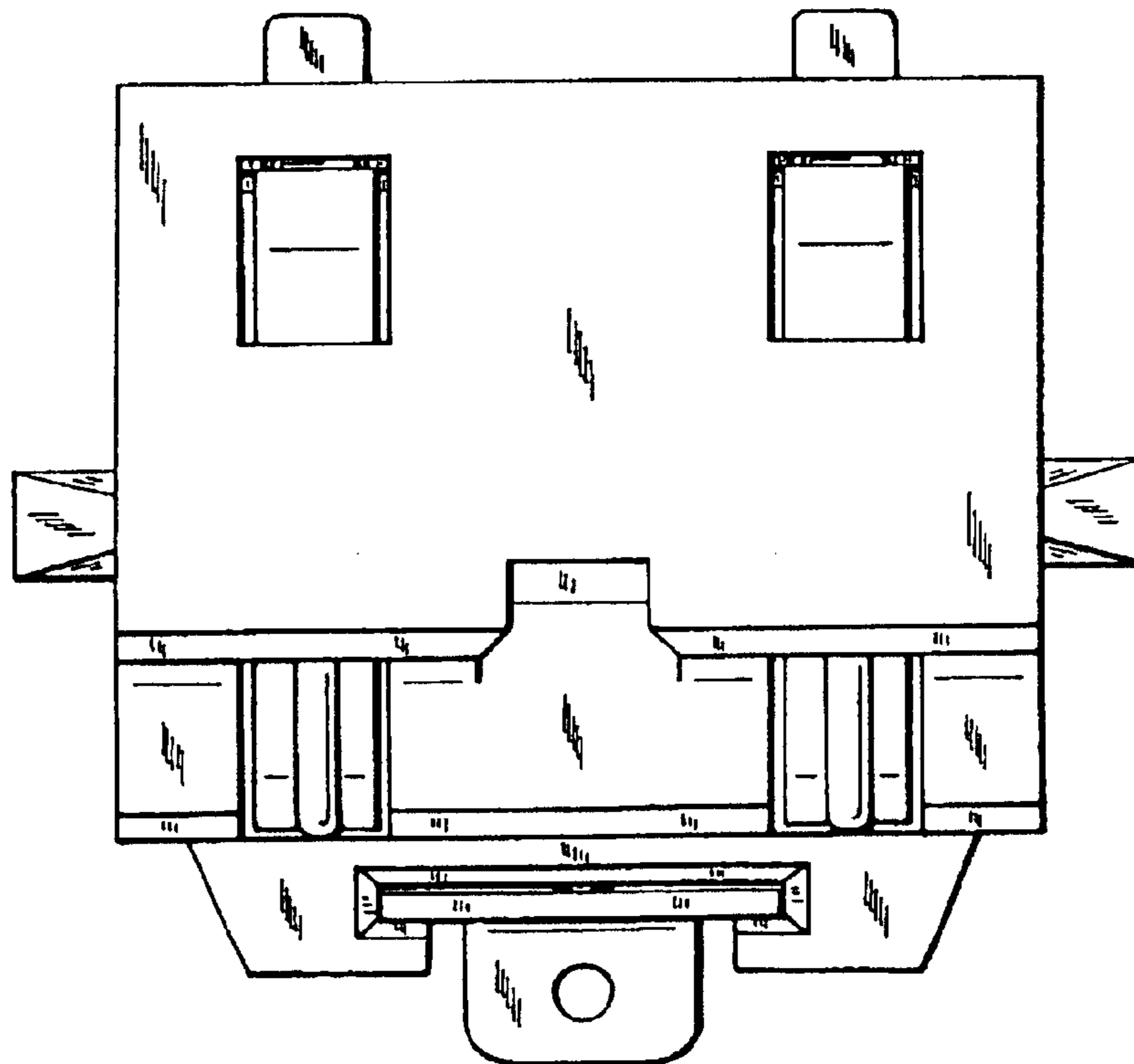


Fig. 3

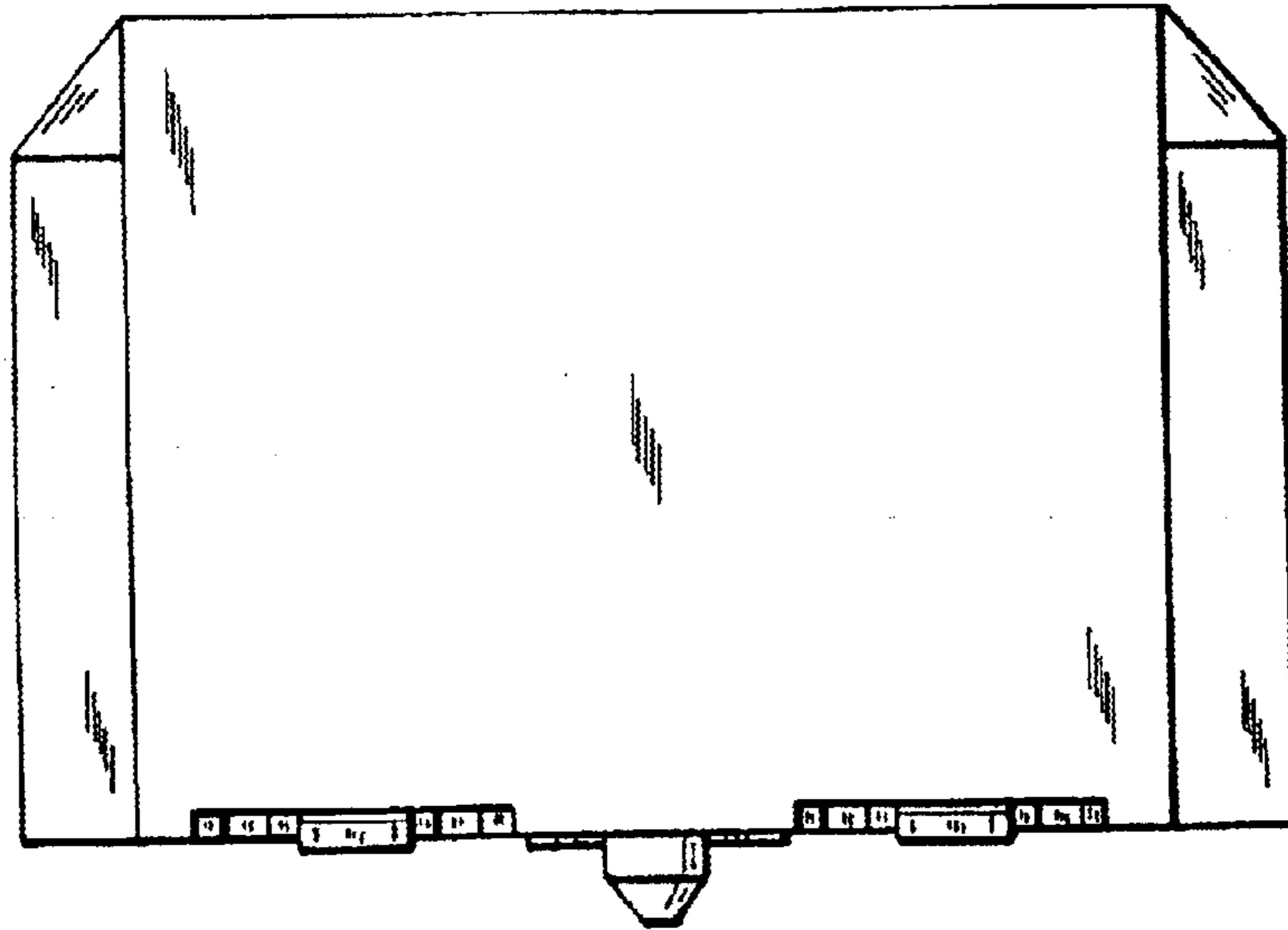


Fig. 4

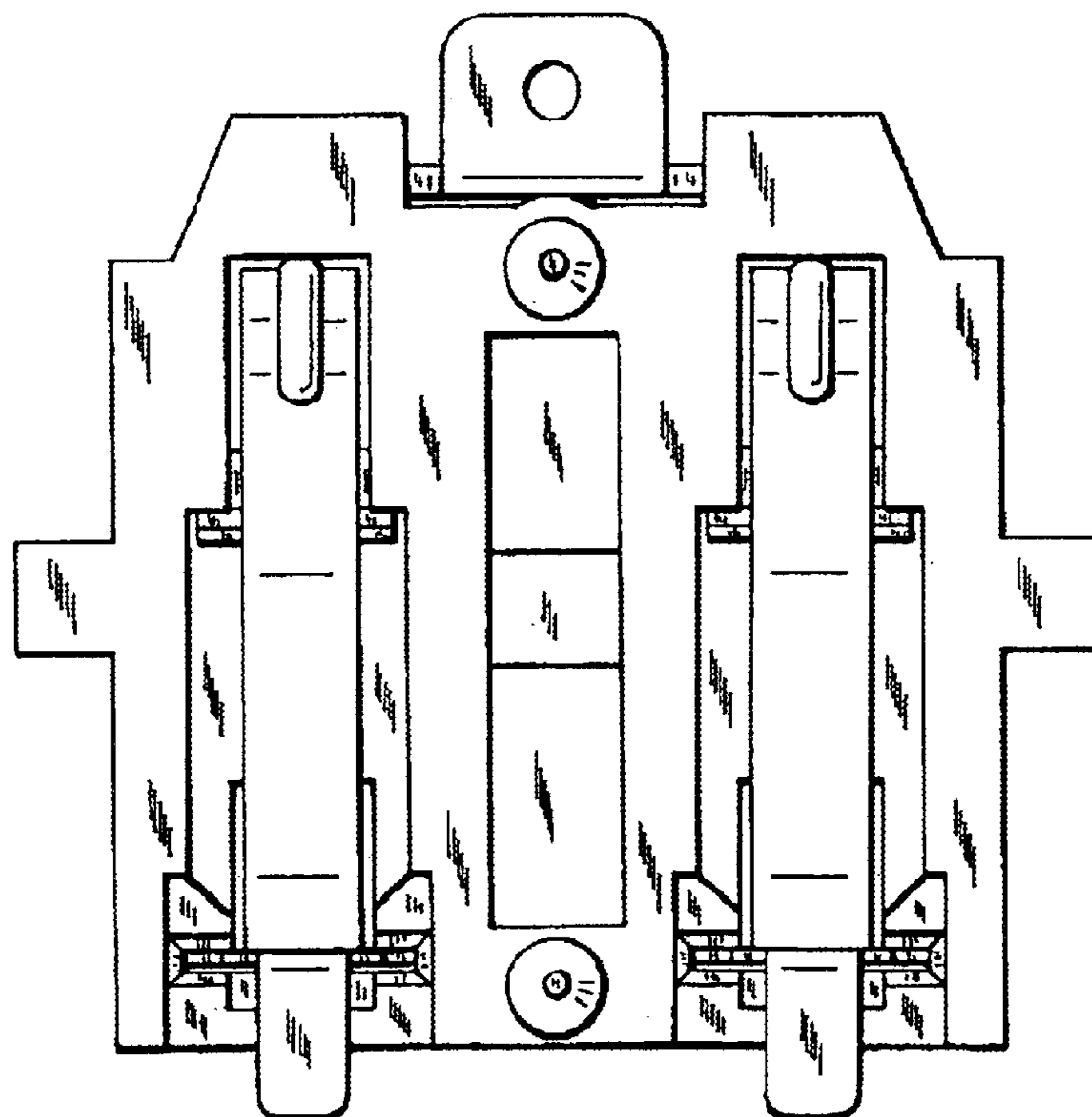


Fig. 5

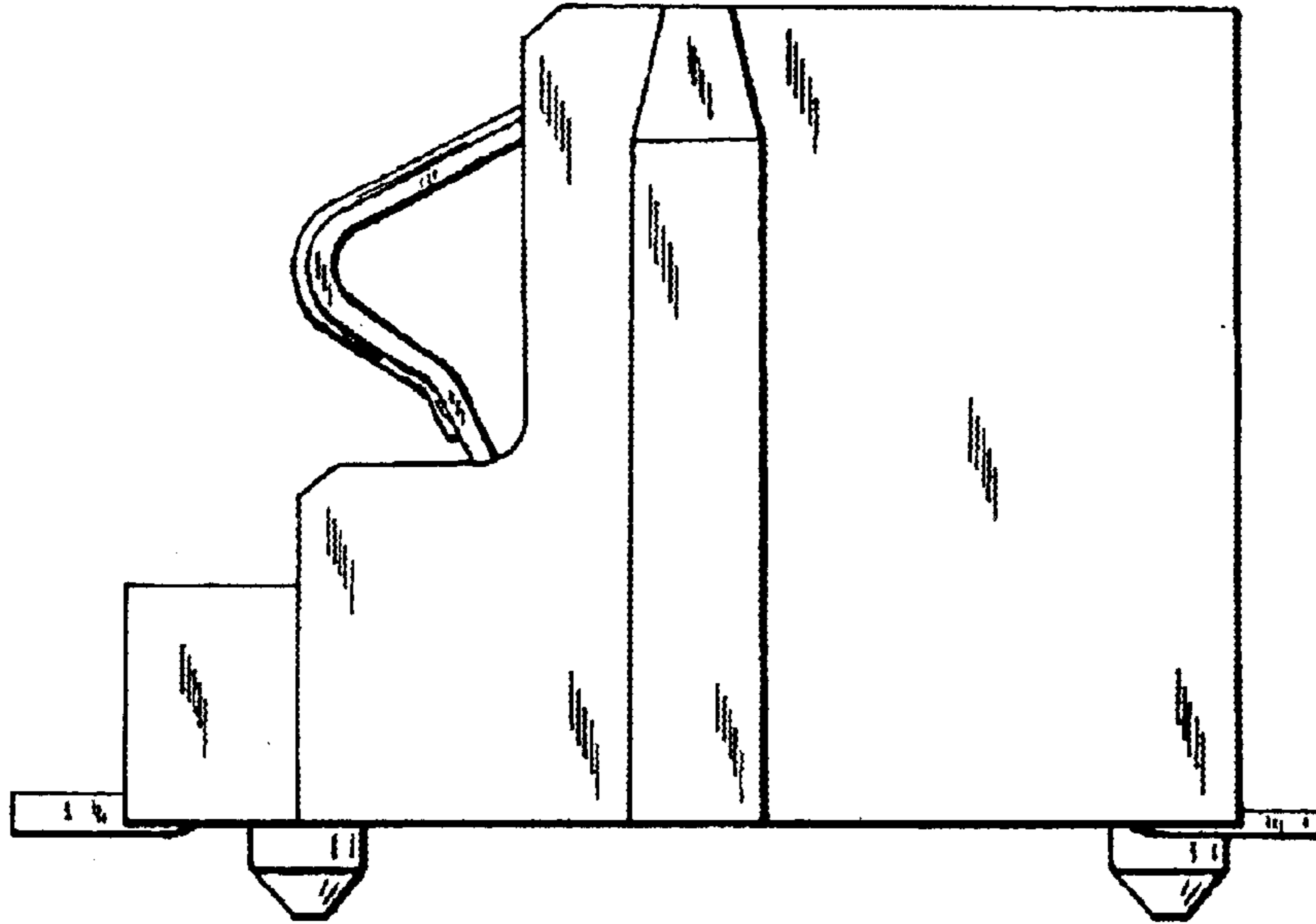


Fig. 6

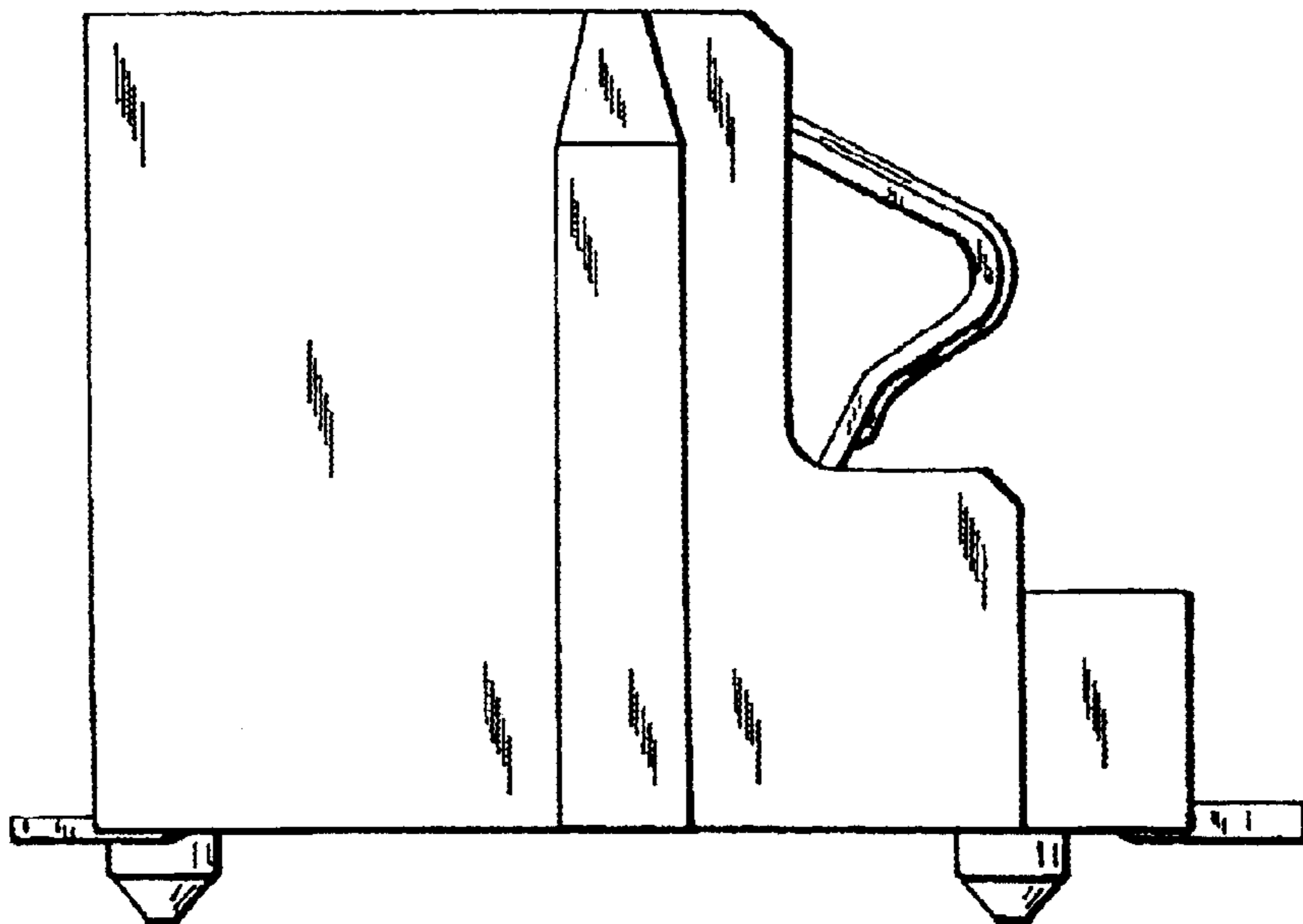


Fig. 7

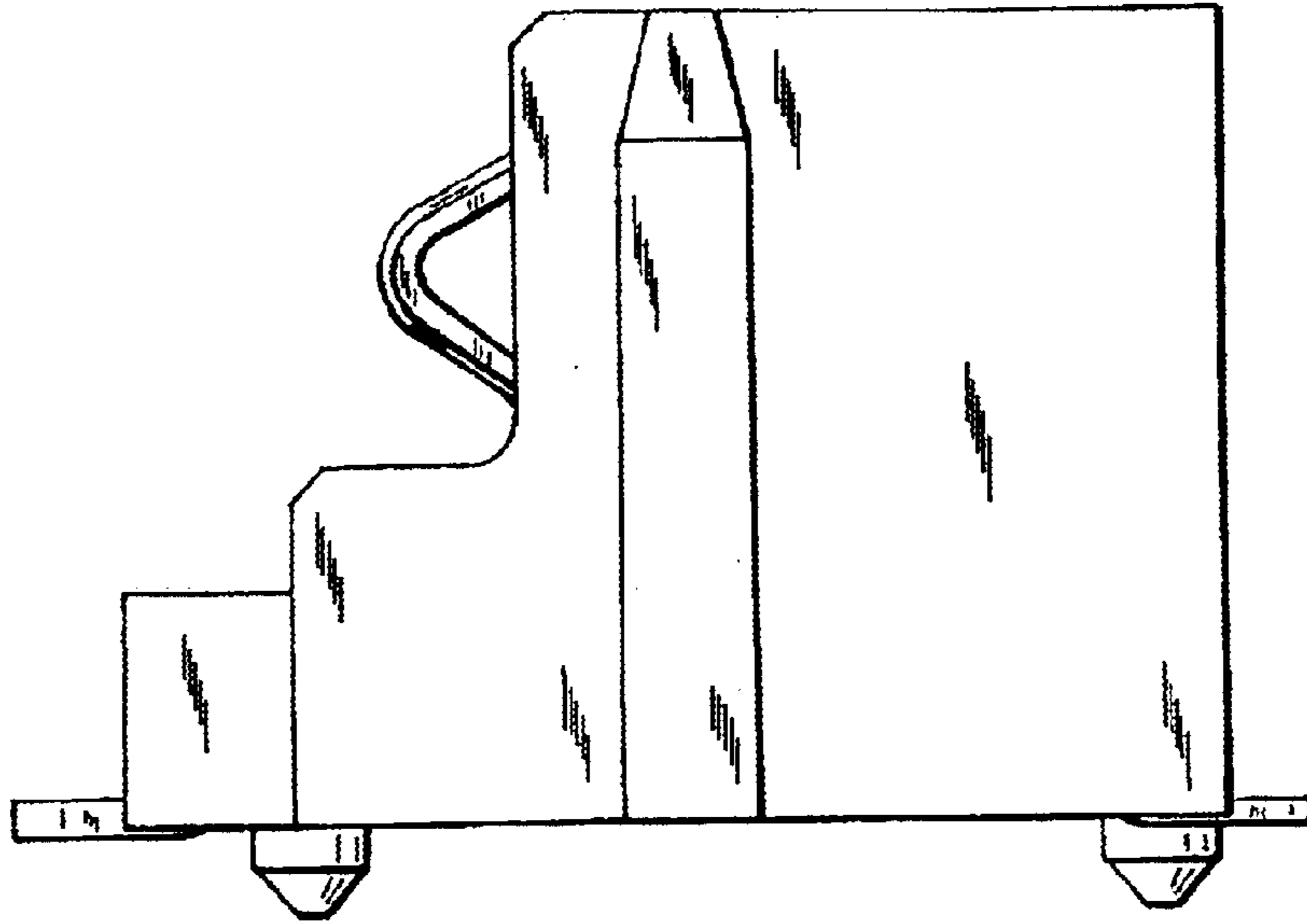


Fig. 8

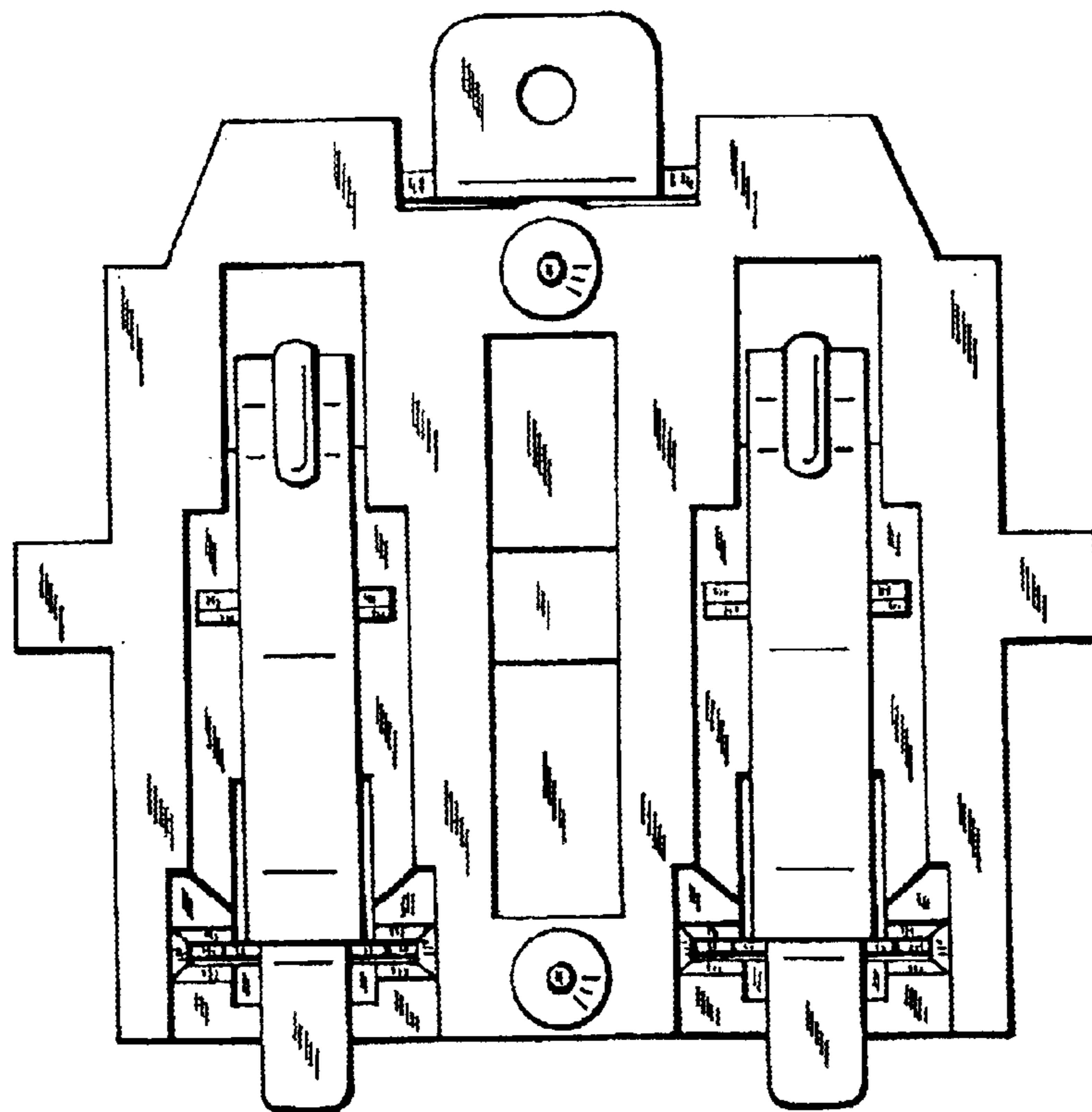


Fig. 9

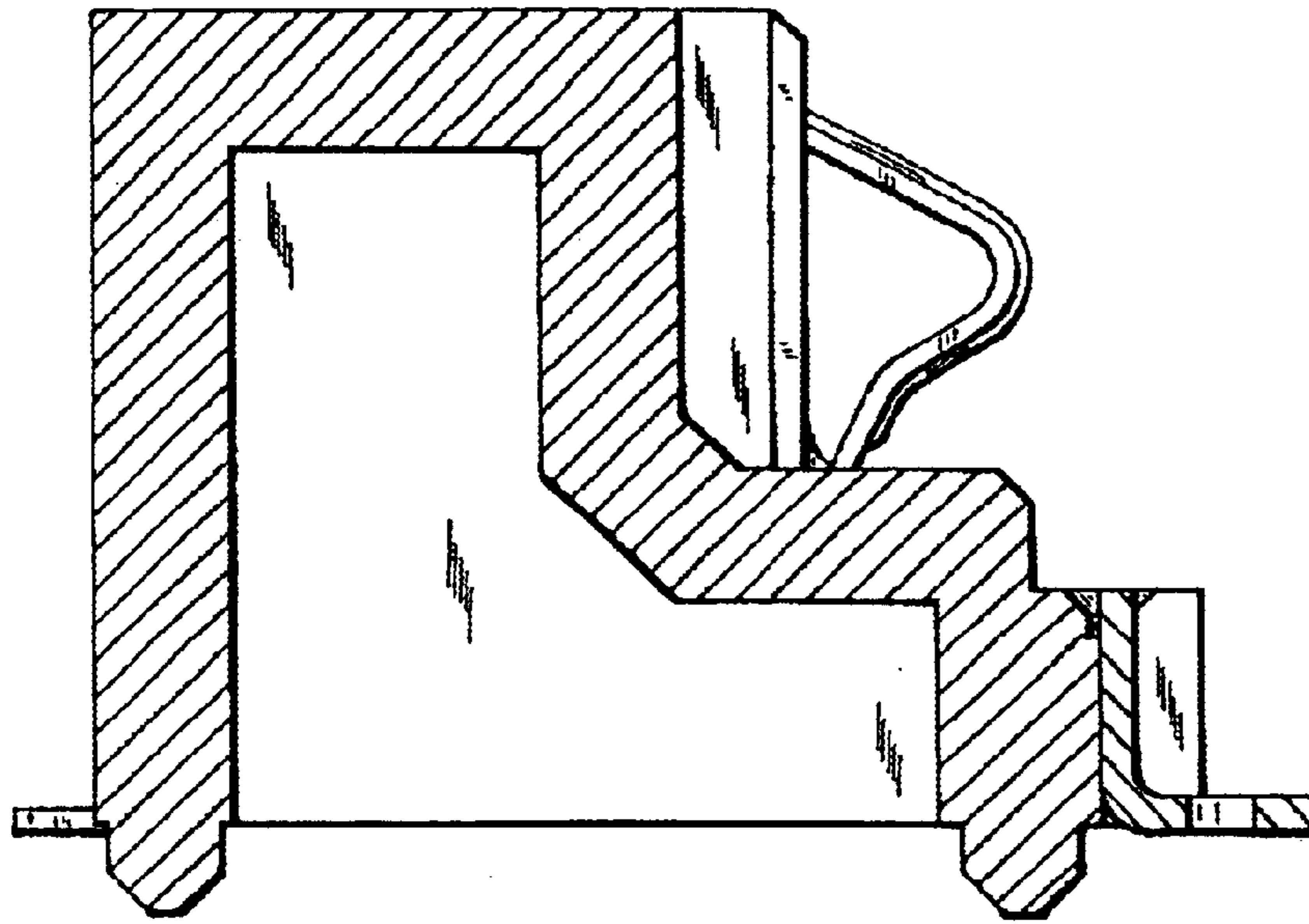


Fig. 10

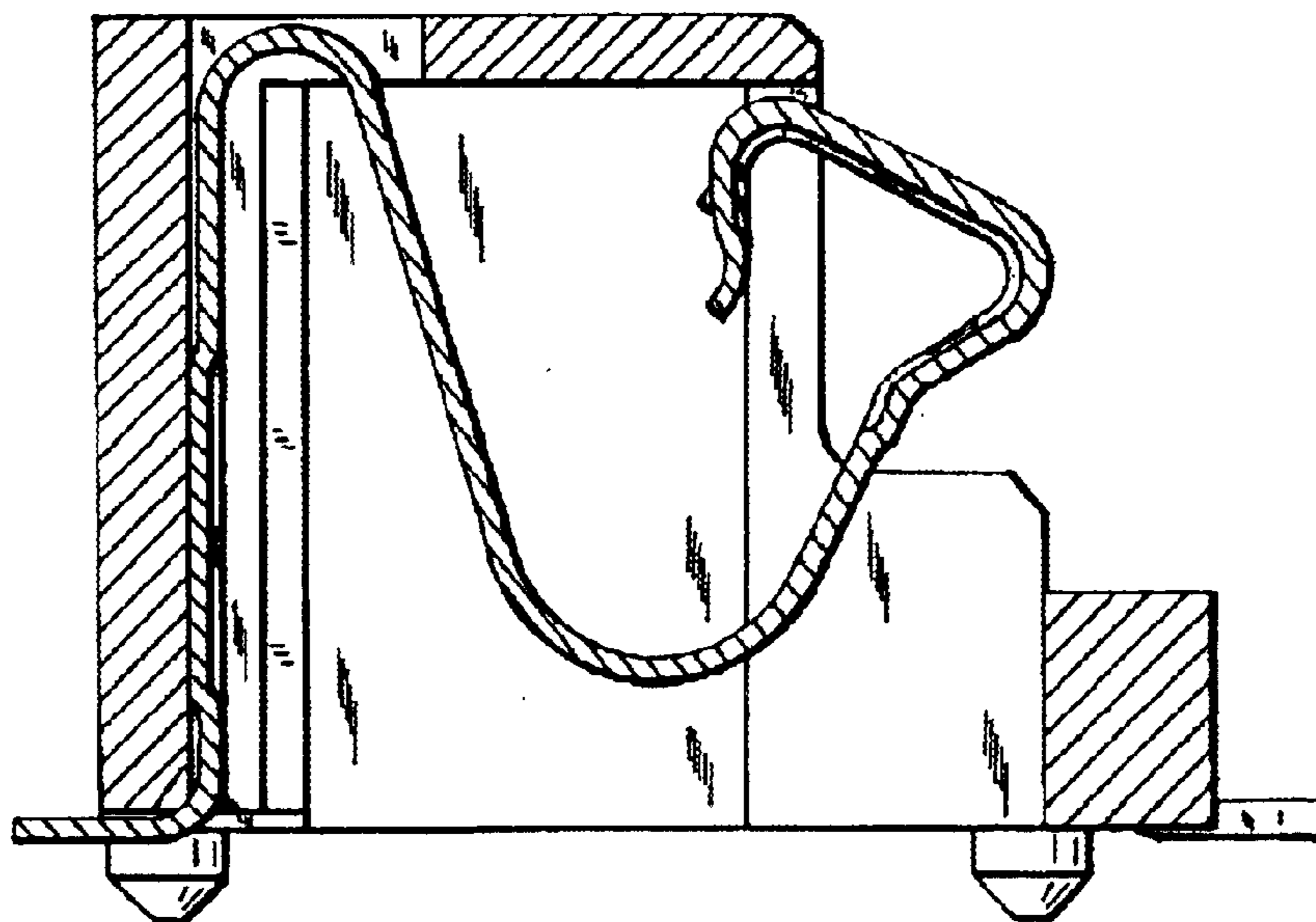


Fig. 11

