



US00D500734S

(12) **United States Design Patent**
Puri et al.

(10) **Patent No.: US D500,734 S**
(45) **Date of Patent: ** Jan. 11, 2005**

(54) **MULTIPOINT SELF-LEVELING LASER**

(75) Inventors: **Ash Puri**, West LaFayette, IN (US);
Bill Huff, Milford, IL (US); **Steve Watts**, Sarasota, FL (US); **Duard Wilson**, Kankakee, IL (US); **Russell Forbes**, Chicago, IL (US); **Ronald Llanes**, Lisle, IL (US); **Gregory Foster**, Chicago, IL (US)

(73) Assignee: **Chicago Steel Tape**, Watseka, IL (US)

(**) Term: **14 Years**

(21) Appl. No.: **29/160,532**

(22) Filed: **May 10, 2002**

(51) **LOC (7) Cl. 13-02**

(52) **U.S. Cl. D13/101**

(58) **Field of Search** D13/101, 110,
D13/112, 114, 118, 184, 199; D10/65, 66;
33/DIG. 21; 356/138, 141.1, 141.3

(56) **References Cited**

U.S. PATENT DOCUMENTS

3,936,197 A	2/1976	Aldrink et al.	
4,062,634 A	12/1977	Rando et al.	
4,679,937 A	7/1987	Cain et al.	
5,644,850 A	7/1997	Costales	
5,680,208 A	10/1997	Butler et al.	
D396,817 S	* 8/1998	Webb D10/74
D411,809 S	* 7/1999	Wakabayashi D10/66
D416,856 S	* 11/1999	Onose D13/101
5,983,510 A	11/1999	Wu et al.	
D417,633 S	* 12/1999	Sato et al. D10/66
D420,972 S	* 2/2000	Brecher et al. D13/101
D429,481 S	* 8/2000	Ishii D13/101
D461,135 S	* 8/2002	Watson et al. D10/69
D469,369 S	* 1/2003	Durkin D10/69
D469,738 S	* 2/2003	Ishii D13/101

OTHER PUBLICATIONS

Levelite Technology Inc. laser level literature.
Hilti PR Series laser level literature.
Sokkia LP21-LP22 laser level literature.
Bosch BL 50 R laser level literature.
Bosch BL 100 VHR laser level literature.
Topcon laser level brochure.
Topcon RL-VH3 laser level literature.
Topcon RL-H1S /H2S laser level literature.
Topcon RL-VH laser level literature.
Tocon RL-H/RL-60 Series laser level literature.
Topcon RL-VH3 Series laser level literature.
Pro Shot laser level literature.
David White Auto Laser Level Literature.
Laser Alignment LB-100 Laser Level Literature.
PLS3 / PLS5 laser system.
Robotoolz Robovector Brochure.

* cited by examiner

Primary Examiner—Stella Reid
Assistant Examiner—Daniel Bui
(74) *Attorney, Agent, or Firm*—Barnes & Thornburg, LLP;
Mark J. Johnsen

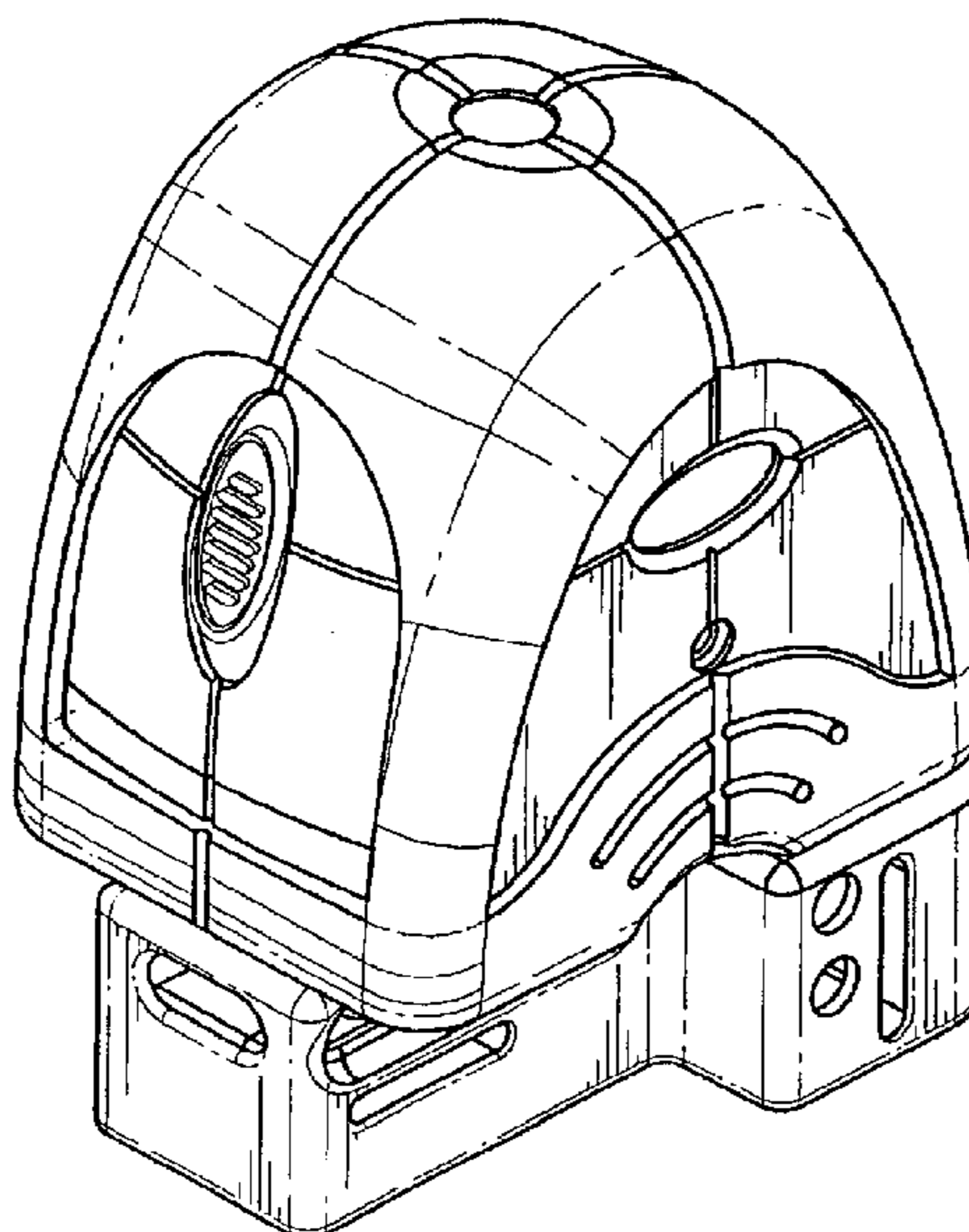
(57) **CLAIM**

The ornamental design for a multipoint self-leveling laser, as shown and described.

DESCRIPTION

FIG. 1 is a perspective view of a new design for a multipoint self-leveling laser according to our invention illustrating the front and right view thereof;
FIG. 2 is a top view thereof;
FIG. 3 is another perspective view illustrating the left and rear view thereof;
FIG. 4 is a right view thereof;
FIG. 5 is a rear view thereof; and,
FIG. 6 is a left view thereof.

1 Claim, 3 Drawing Sheets



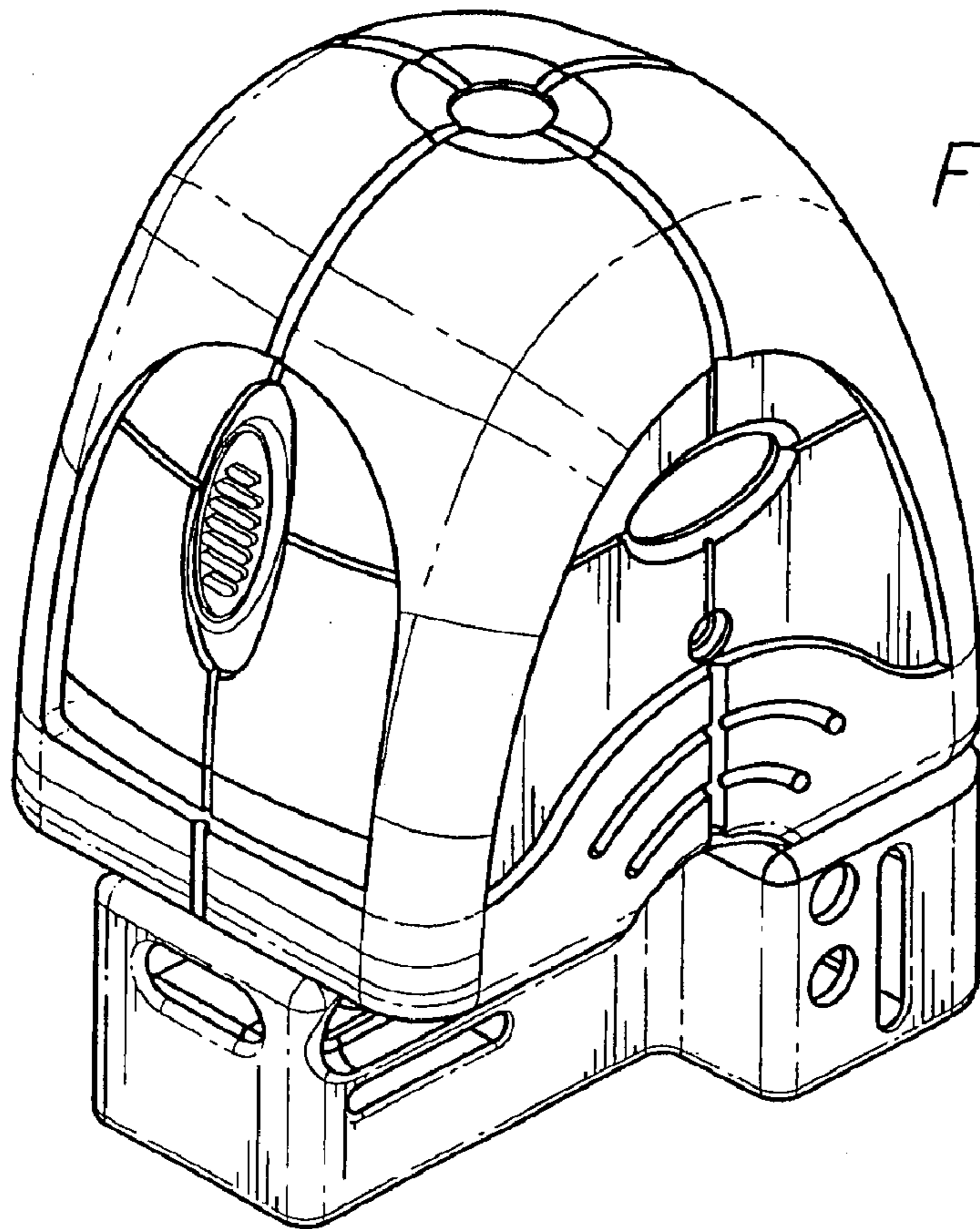


FIG. 1

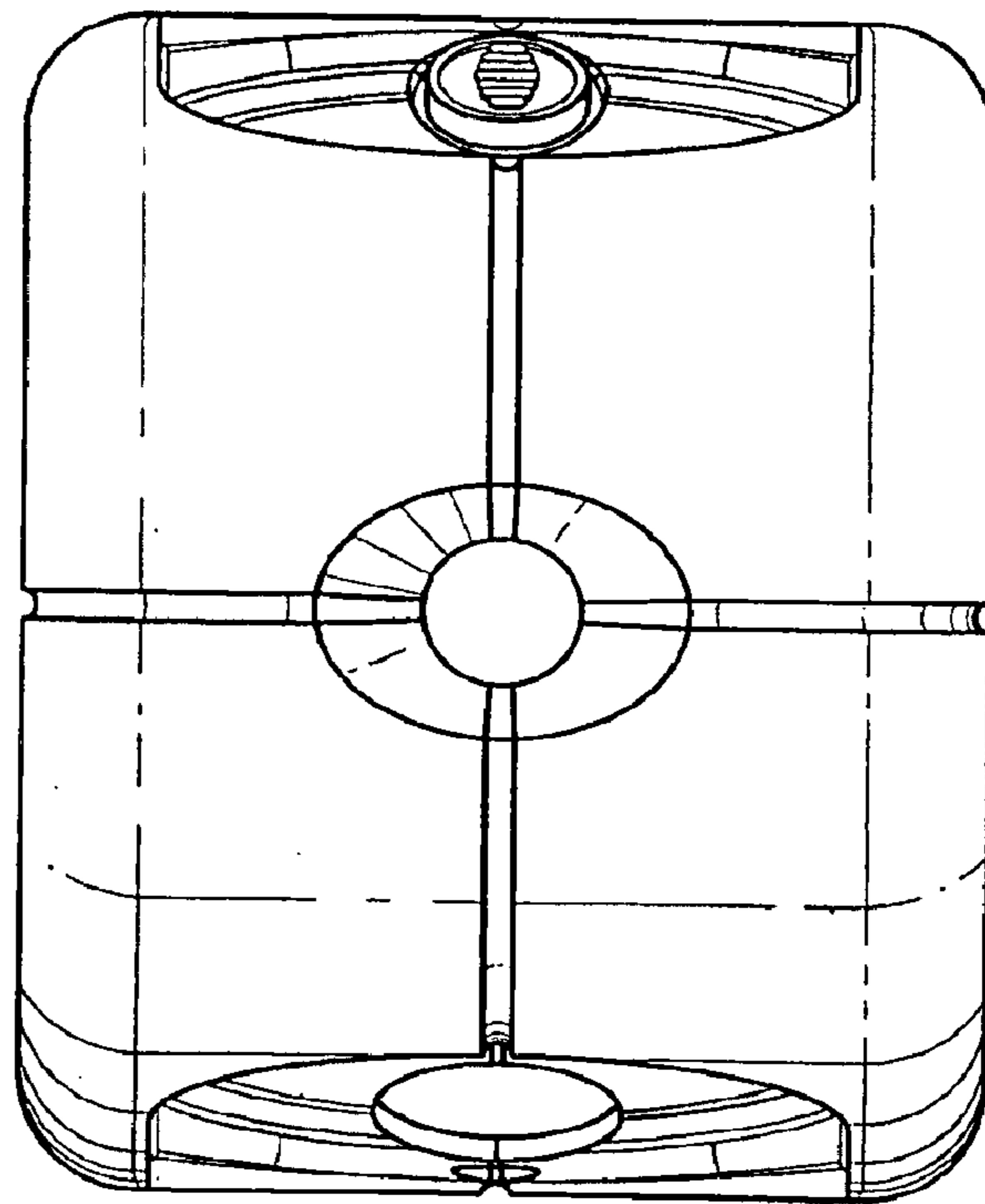


FIG. 2

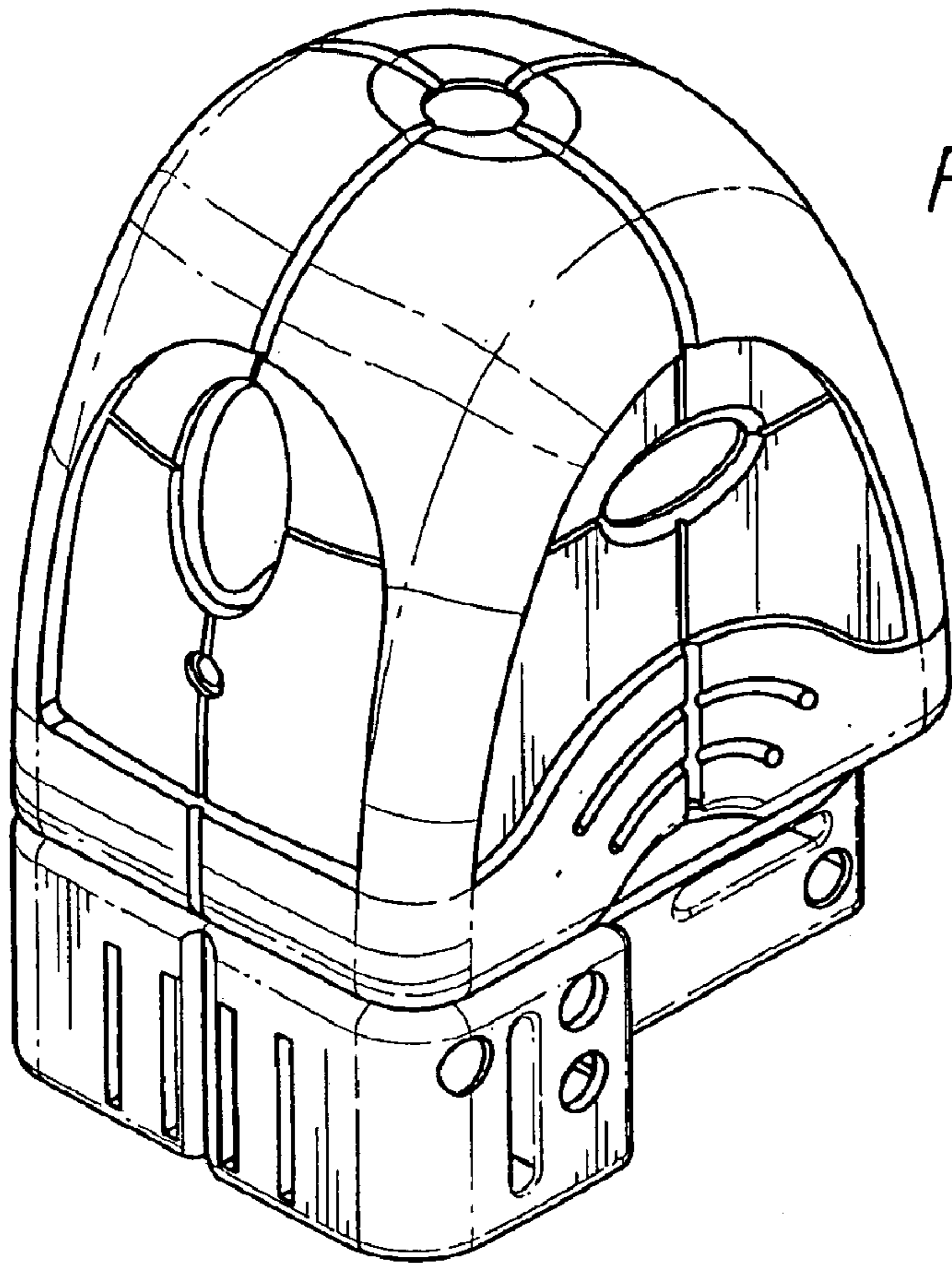


FIG. 3

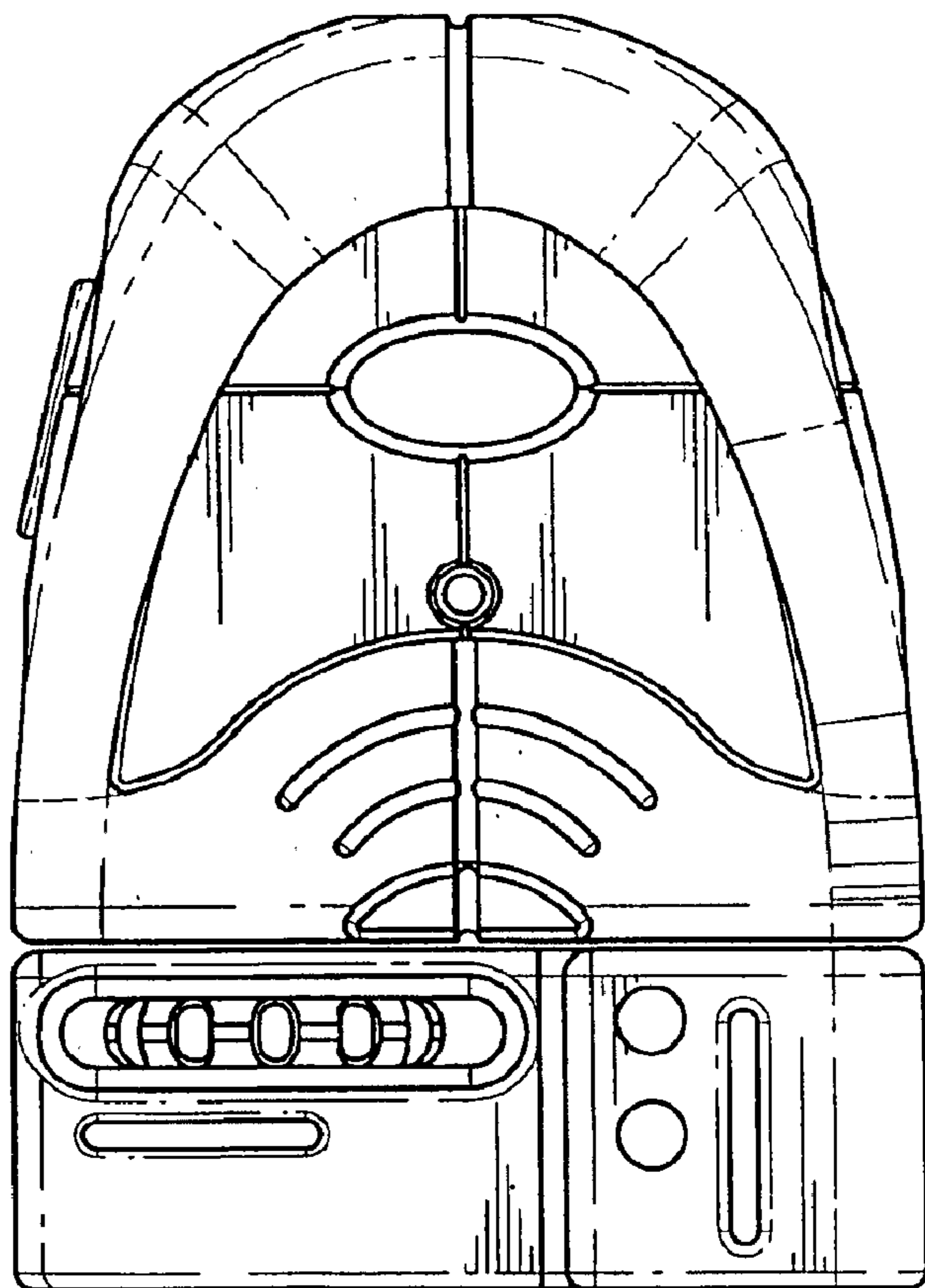


FIG. 4

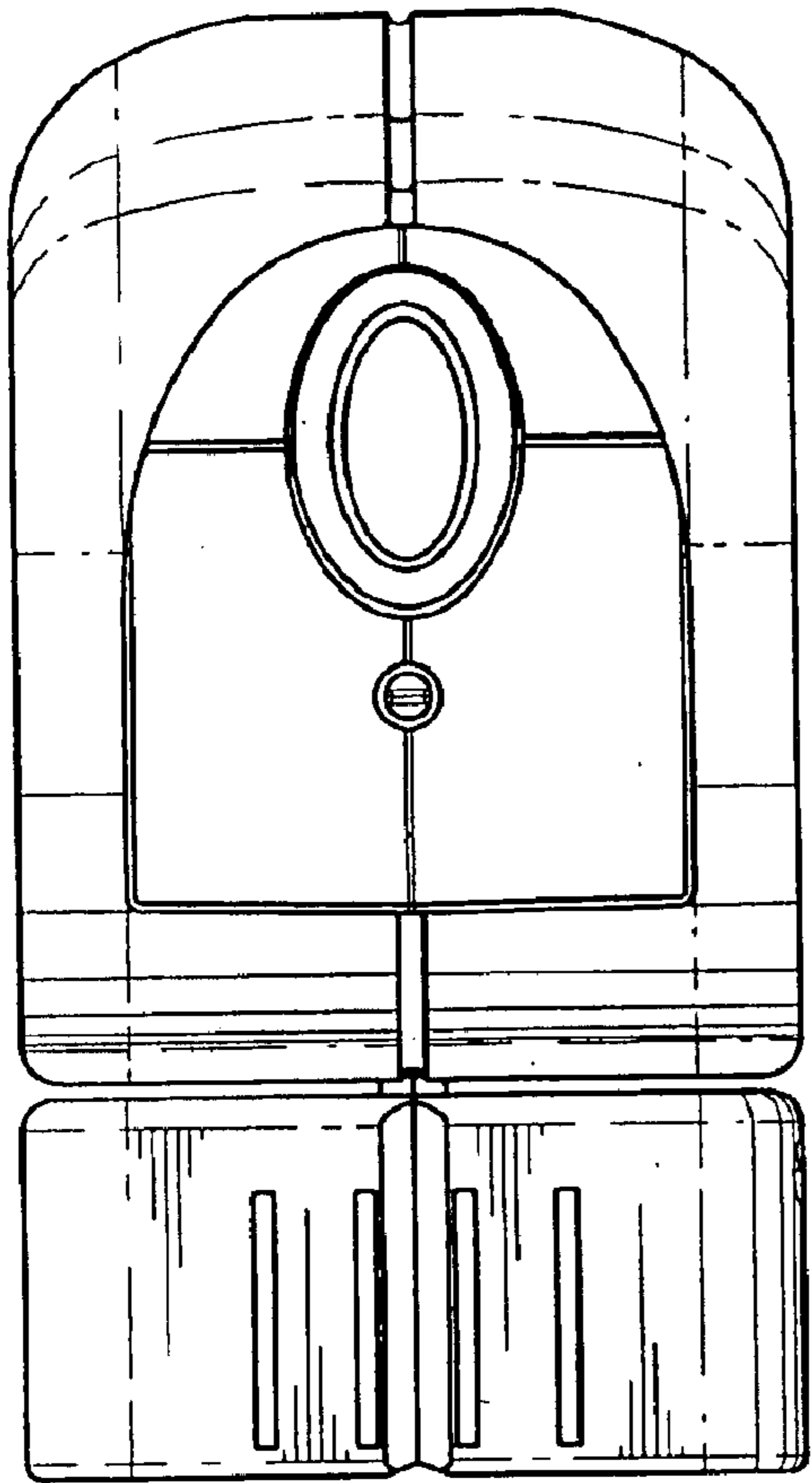


FIG. 5

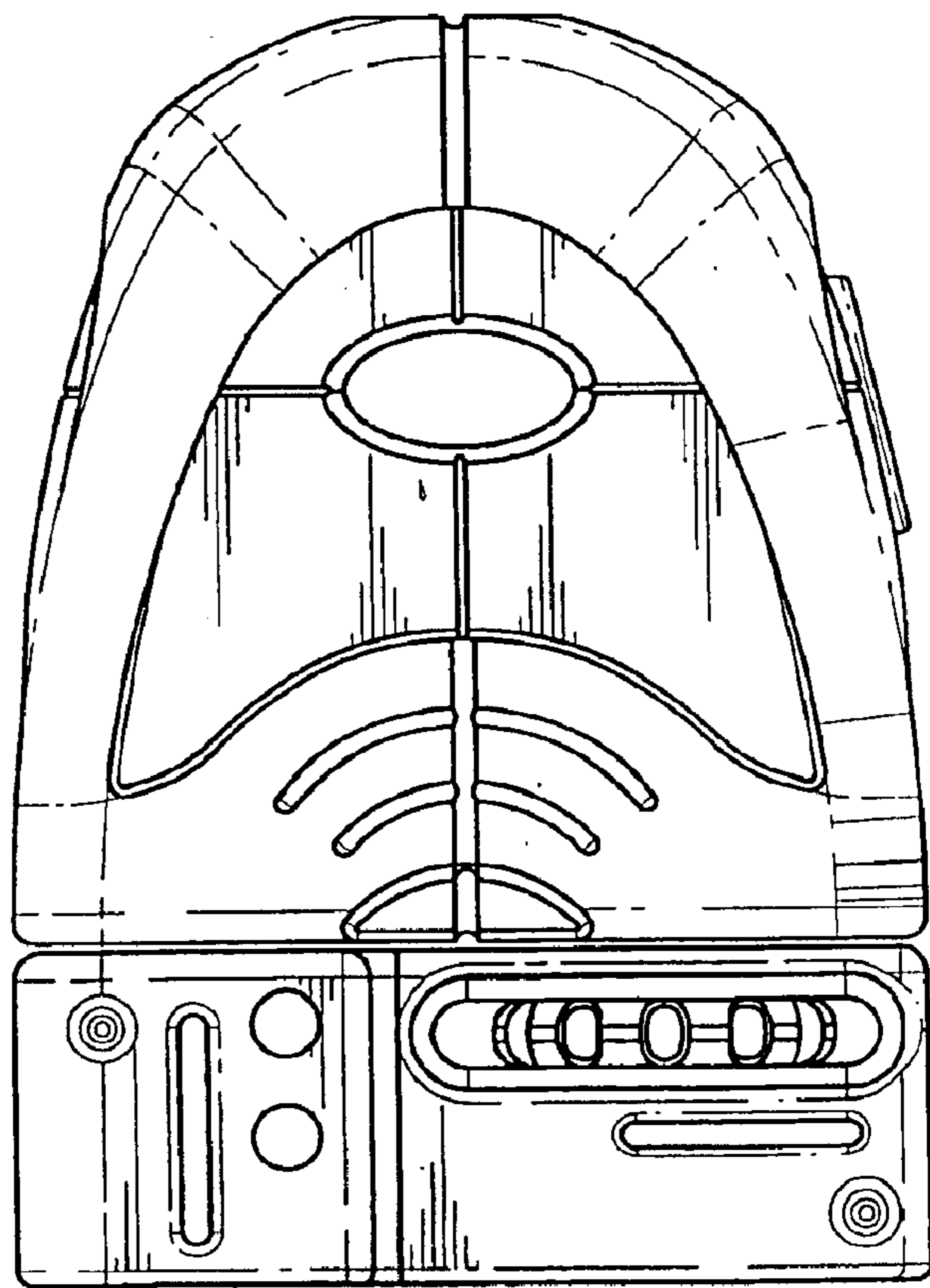


FIG. 6