

US00D500730S

(12) **United States Design Patent**
Bye et al.

(10) **Patent No.:** **US D500,730 S**
(45) **Date of Patent:** **** Jan. 11, 2005**

(54) **JET AIRCRAFT**

D471,853 S * 3/2003 Lucchesini D12/319
D479,501 S * 9/2003 Nelson D12/319

(75) Inventors: **George Bye**, Lonetree, CO (US);
Robert Wolf, Parker, CO (US); **B**
Matthew Knapp, Englewood, CO (US)

* cited by examiner

(73) Assignee: **Aviation Technology Group, Inc.**,
Englewood, CO (US)

Primary Examiner—Marcus A. Jackson
(74) *Attorney, Agent, or Firm*—Kenyon & Kenyon

(**) Term: **14 Years**

(57) **CLAIM**

The ornamental design for a jet aircraft, as shown and described.

(21) Appl. No.: **29/201,294**

DESCRIPTION

(22) Filed: **Mar. 11, 2004**

(51) **LOC (7) Cl.** **12-99**

(52) **U.S. Cl.** **D12/319**

(58) **Field of Search** D12/319-345;
244/12.5, 13, 15, 55, 65

FIG. 1 is a side view of a jet aircraft illustrating our new design;
FIG. 2 is a top view thereof;
FIG. 3 is a bottom view thereof;
FIG. 4 is a front view thereof;
FIG. 5 is a back face view thereof;
FIG. 6 is a right side perspective view thereof; and,
FIG. 7 is a left rear perspective view thereof.

(56) **References Cited**

U.S. PATENT DOCUMENTS

D467,533 S * 12/2002 Han D12/319

1 Claim, 6 Drawing Sheets

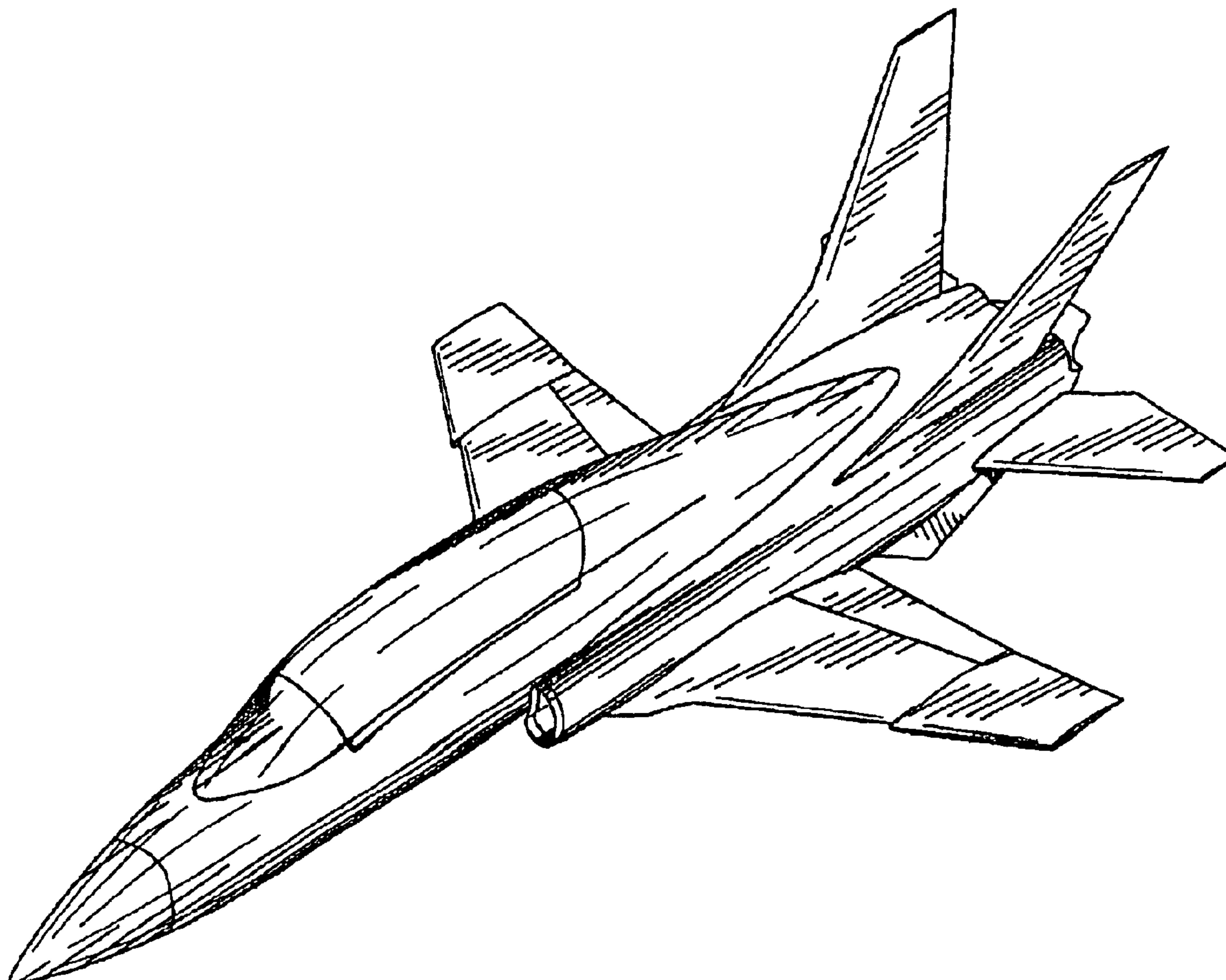
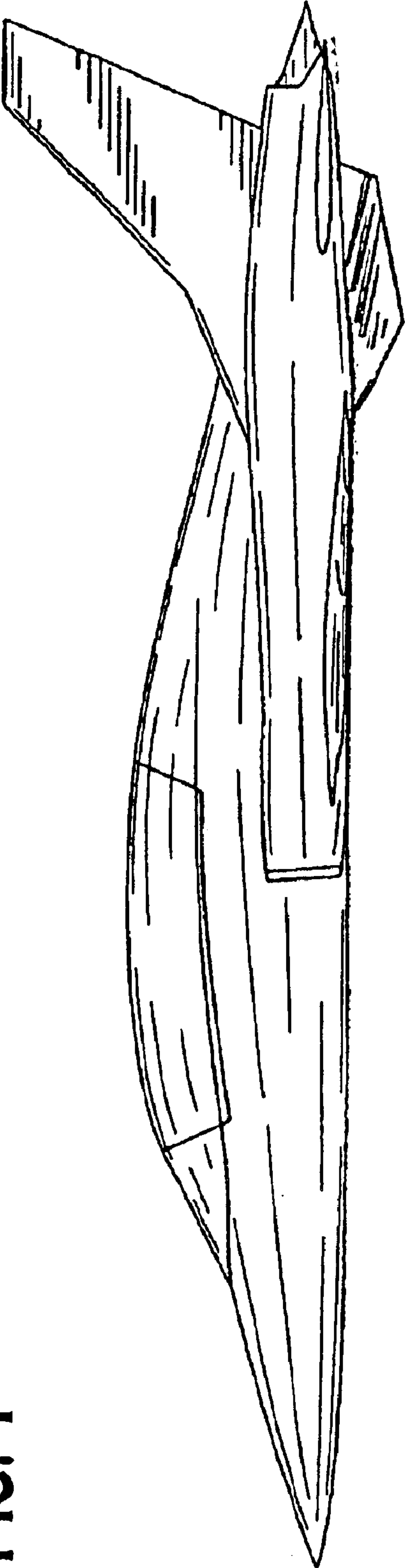


FIG. 1



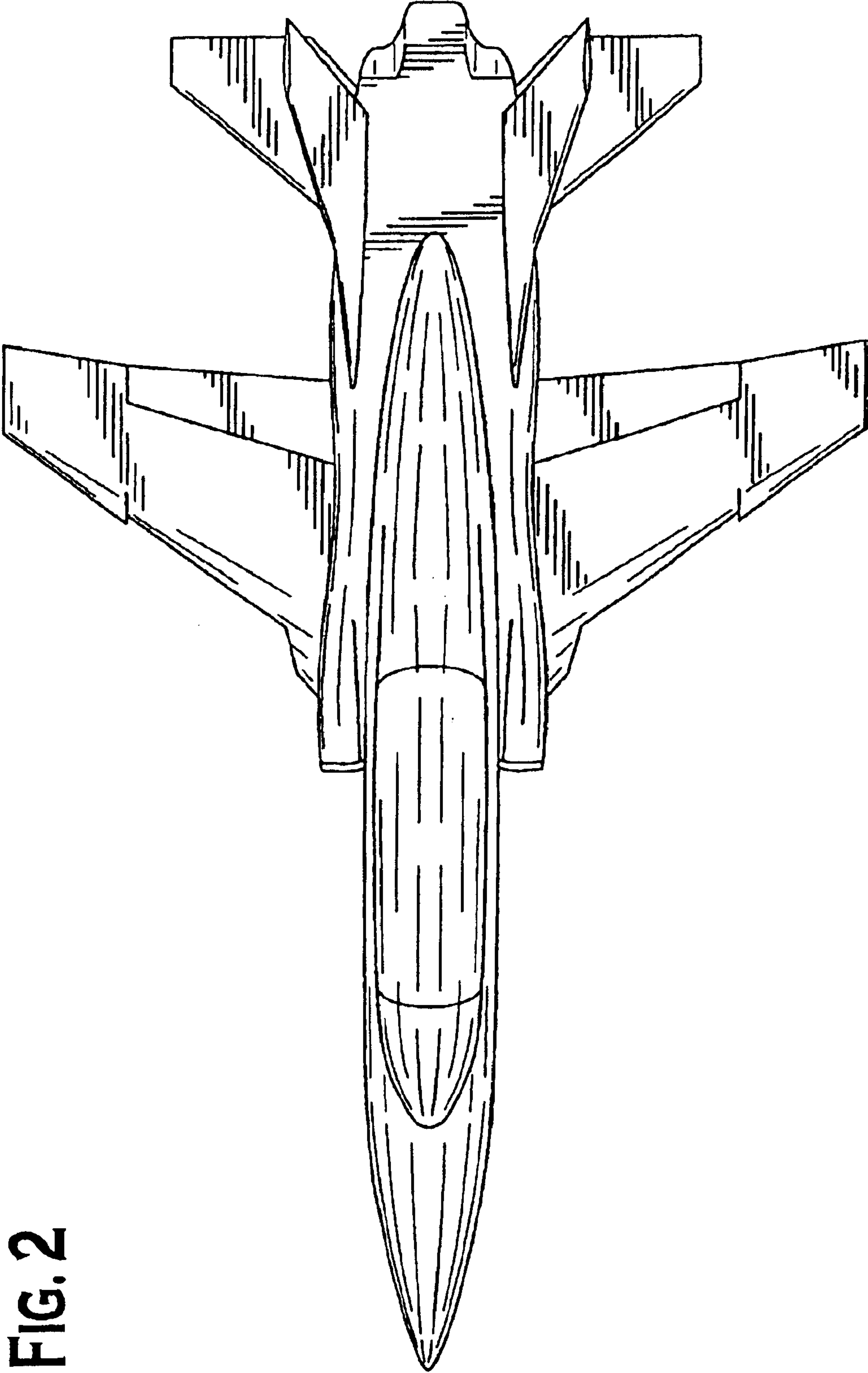


FIG. 2

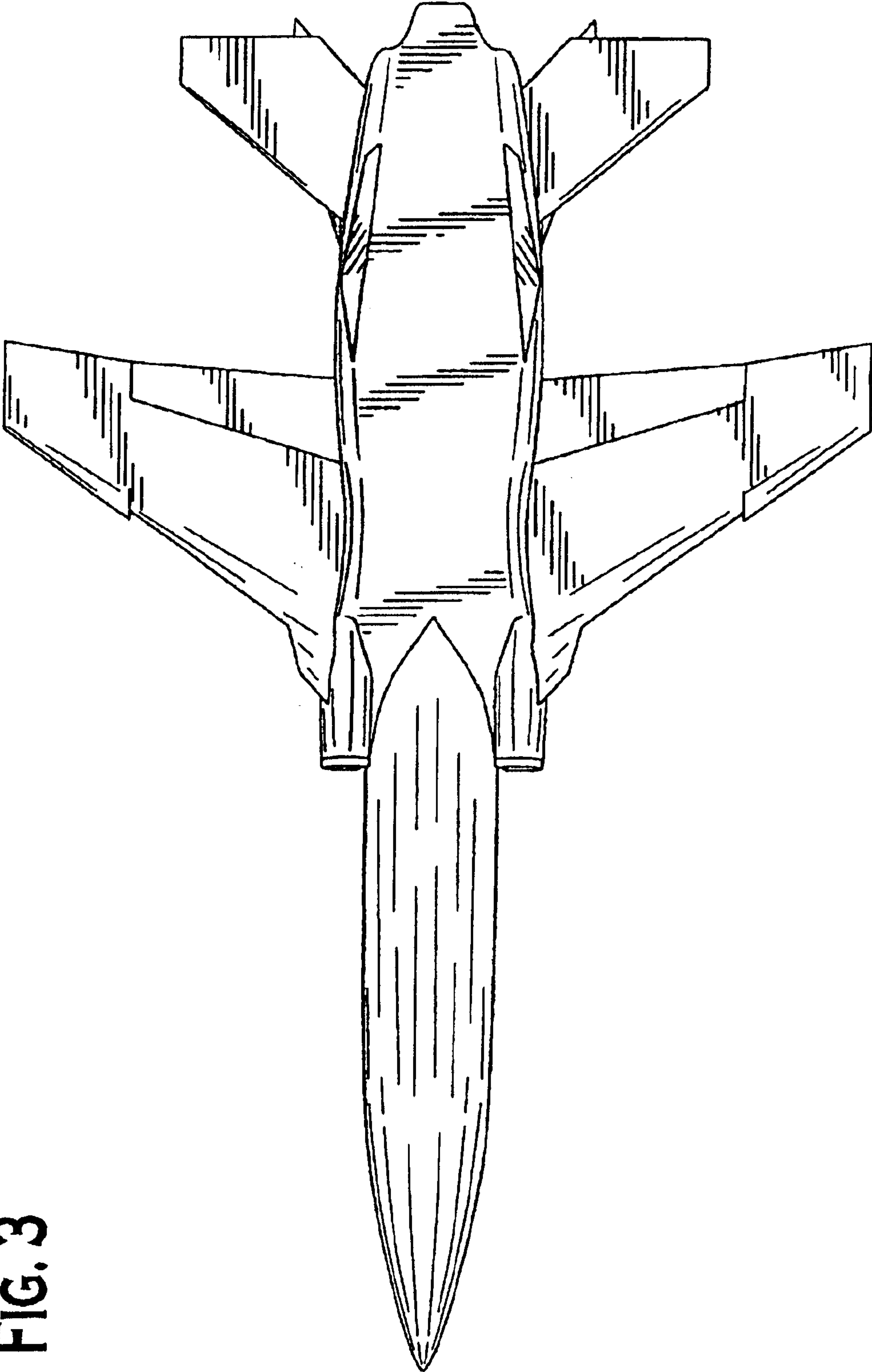


FIG. 3

FIG. 4

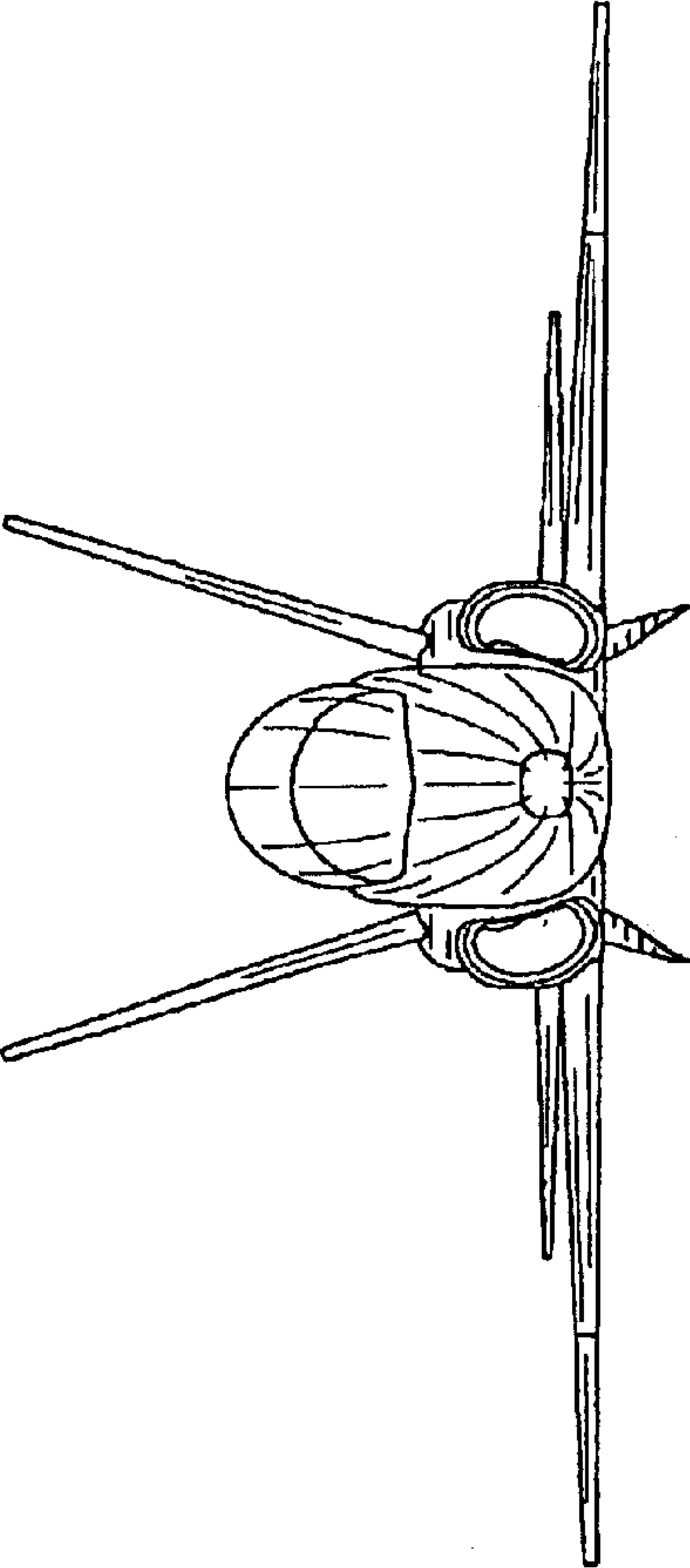
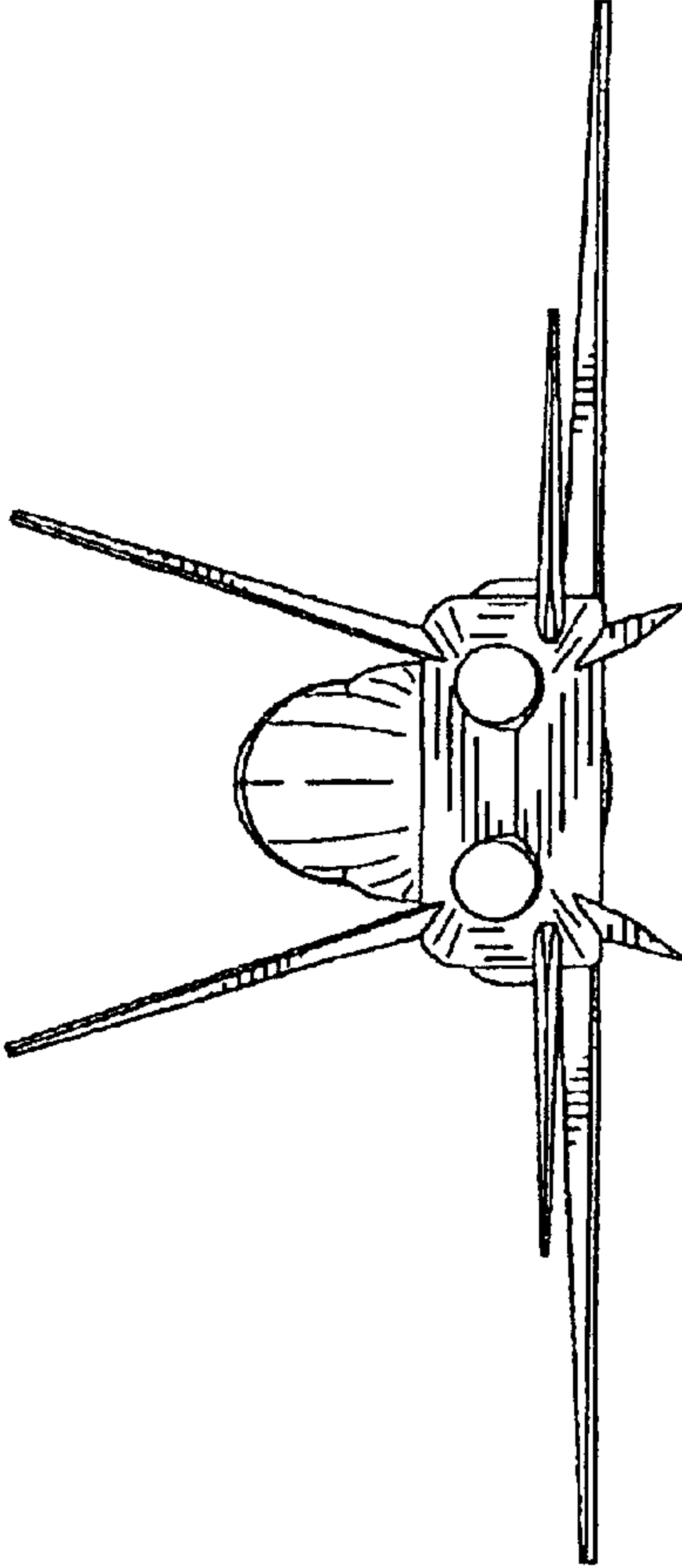


FIG. 5



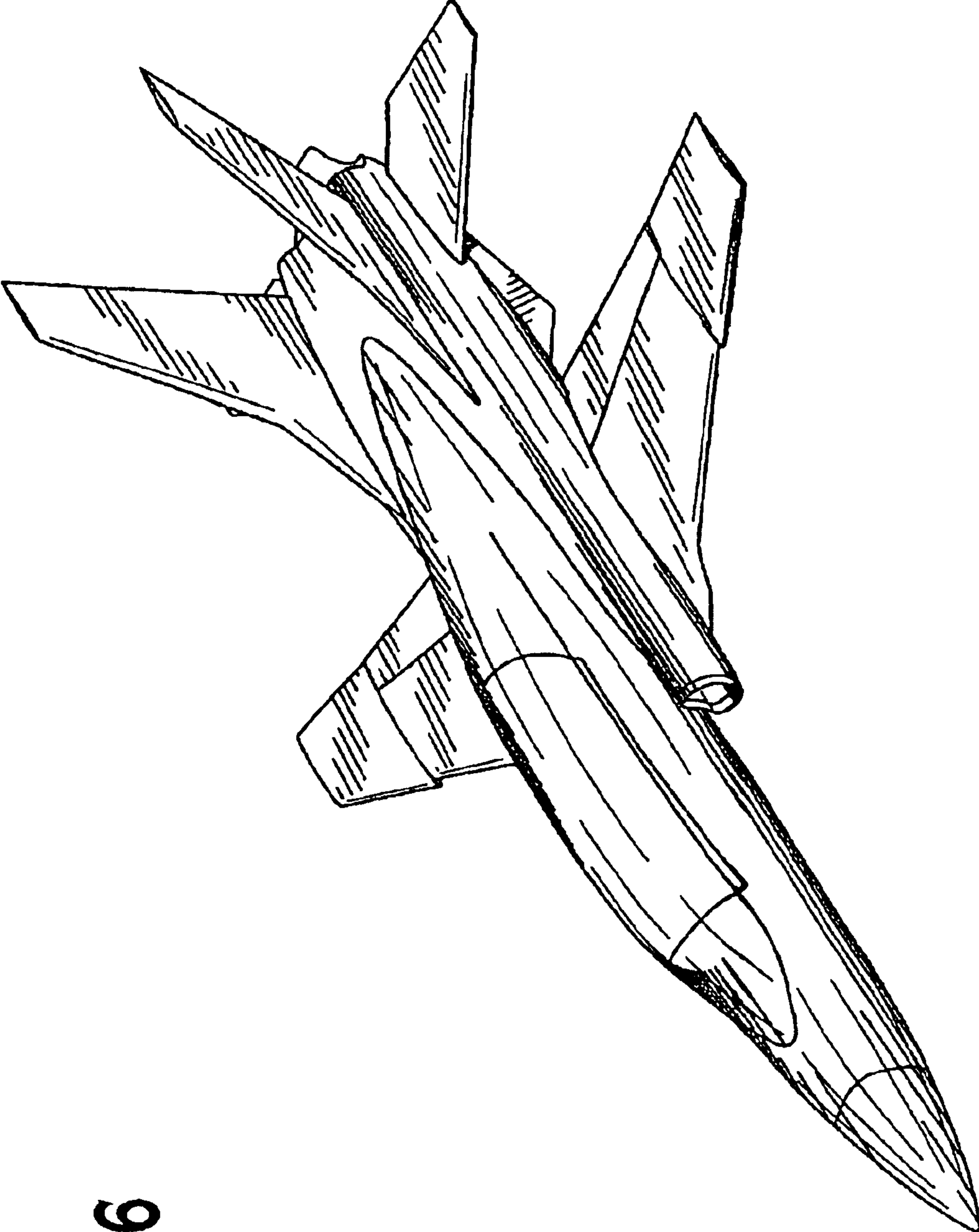


FIG. 6

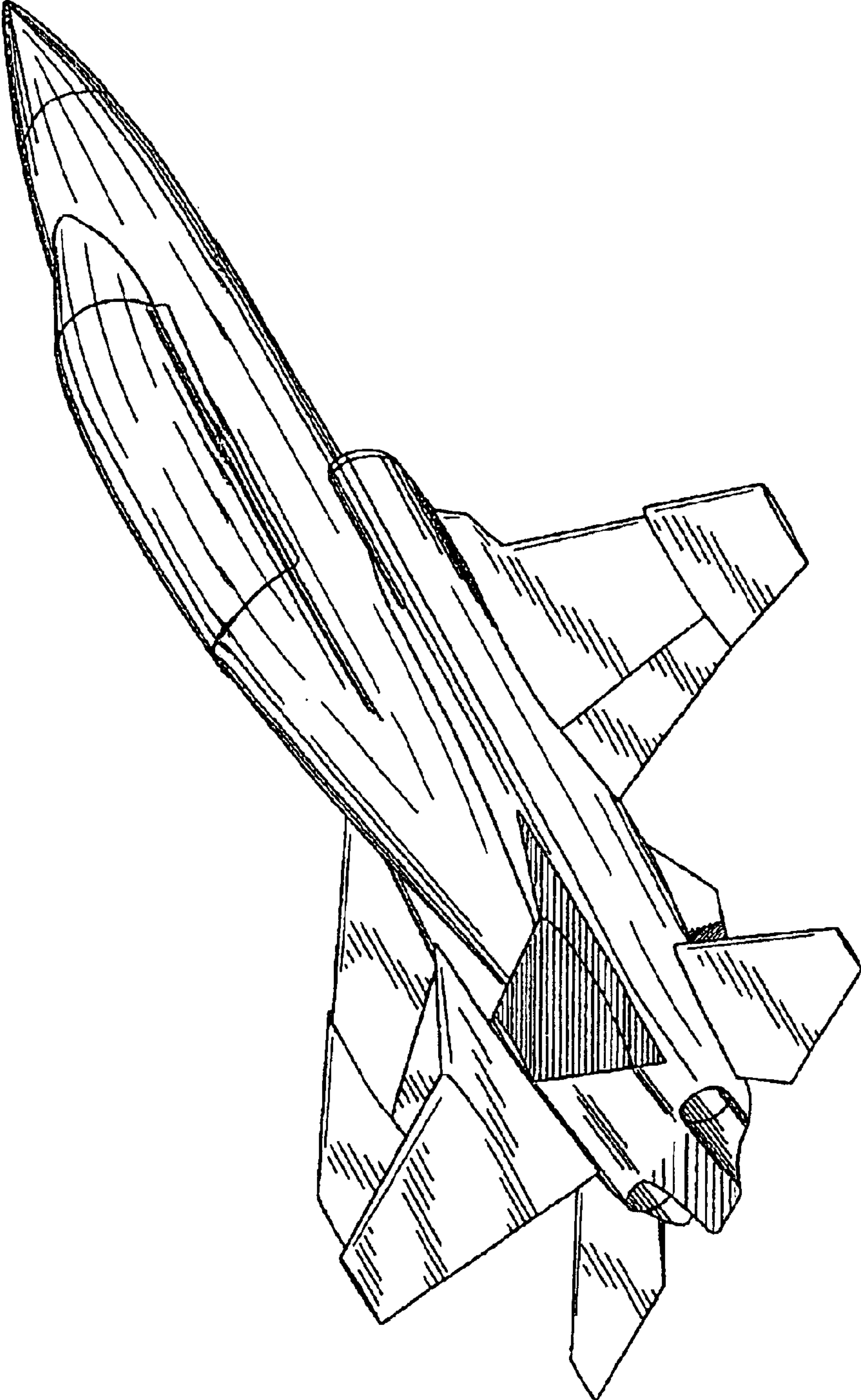


FIG. 7