

US00D500728S

(12) **United States Design Patent**  
**Leu**

(10) **Patent No.:** **US D500,728 S**  
(45) **Date of Patent:** **\*\* Jan. 11, 2005**

(54) **WINDSHIELD WIPER BLADE ASSEMBLY**

(75) **Inventor:** **Robert Leu, Taipei (TW)**

(73) **Assignee:** **Rain First Special Wiper Co., Ltd., Taipei (TW)**

(\*\*) **Term:** **14 Years**

(21) **Appl. No.:** **29/204,527**

(22) **Filed:** **Apr. 30, 2004**

(51) **LOC (7) Cl.** ..... **12-06**

(52) **U.S. Cl.** ..... **D12/220**

(58) **Field of Search** ..... D12/219-220;  
15/250.201, 250.351, 250.32, 250.33, 250.44,  
250.453, 250.34-250.36, 250.42

(56) **References Cited**

**U.S. PATENT DOCUMENTS**

D152,340 S	*	1/1949	Kroh	.....	D12/220
D322,053 S	*	12/1991	Bradley	.....	D12/220
D345,537 S	*	3/1994	Bianco et al.	.....	D12/220
D345,538 S	*	3/1994	Bianco et al.	.....	D12/220
D379,613 S	*	6/1997	Chen	.....	D12/219

D380,434 S	*	7/1997	Chen	.....	D12/219
D380,435 S	*	7/1997	Chen	.....	D12/219
5,862,567 A	*	1/1999	Kim	.....	15/250.201
D406,257 S	*	3/1999	Lee	.....	D12/219
D417,180 S	*	11/1999	Shih	.....	D12/219
D471,505 S	*	3/2003	Wang	.....	D12/220

\* cited by examiner

*Primary Examiner*—Stacia Cadmus

(74) *Attorney, Agent, or Firm*—Leong C. Lei

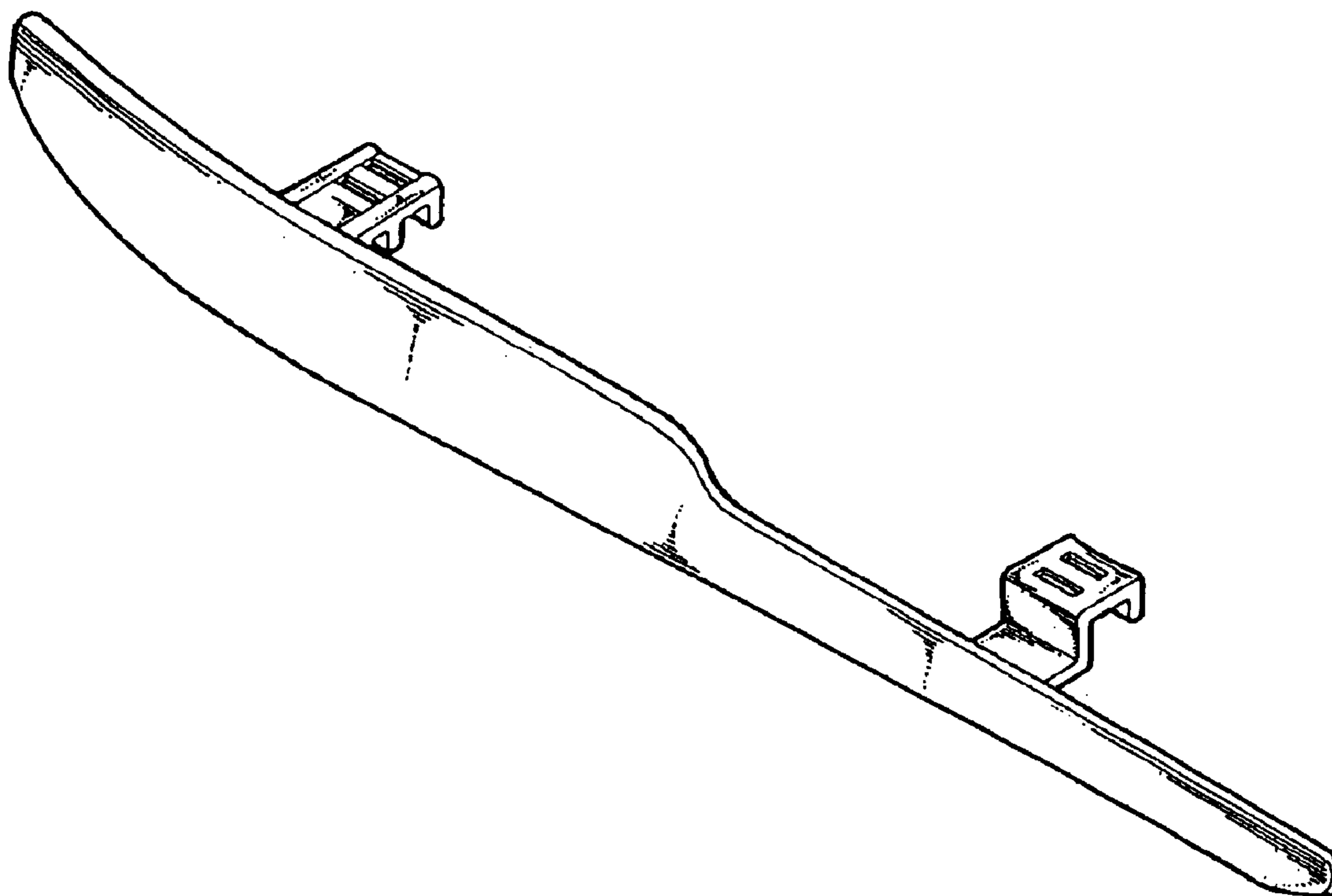
(57) **CLAIM**

The ornamental design for a windshield wiper blade assembly, as shown and described.

**DESCRIPTION**

FIG. 1 is a perspective view of a windshield wiper blade assembly showing my new design; FIG. 2 is a front side elevation view thereof; FIG. 3 is a rear side elevation view thereof; FIG. 4 is a left side elevation view thereof; FIG. 5 is a right side elevation view thereof; FIG. 6 is a top plan view thereof; and, FIG. 7 is a bottom plan view thereof.

**1 Claim, 6 Drawing Sheets**



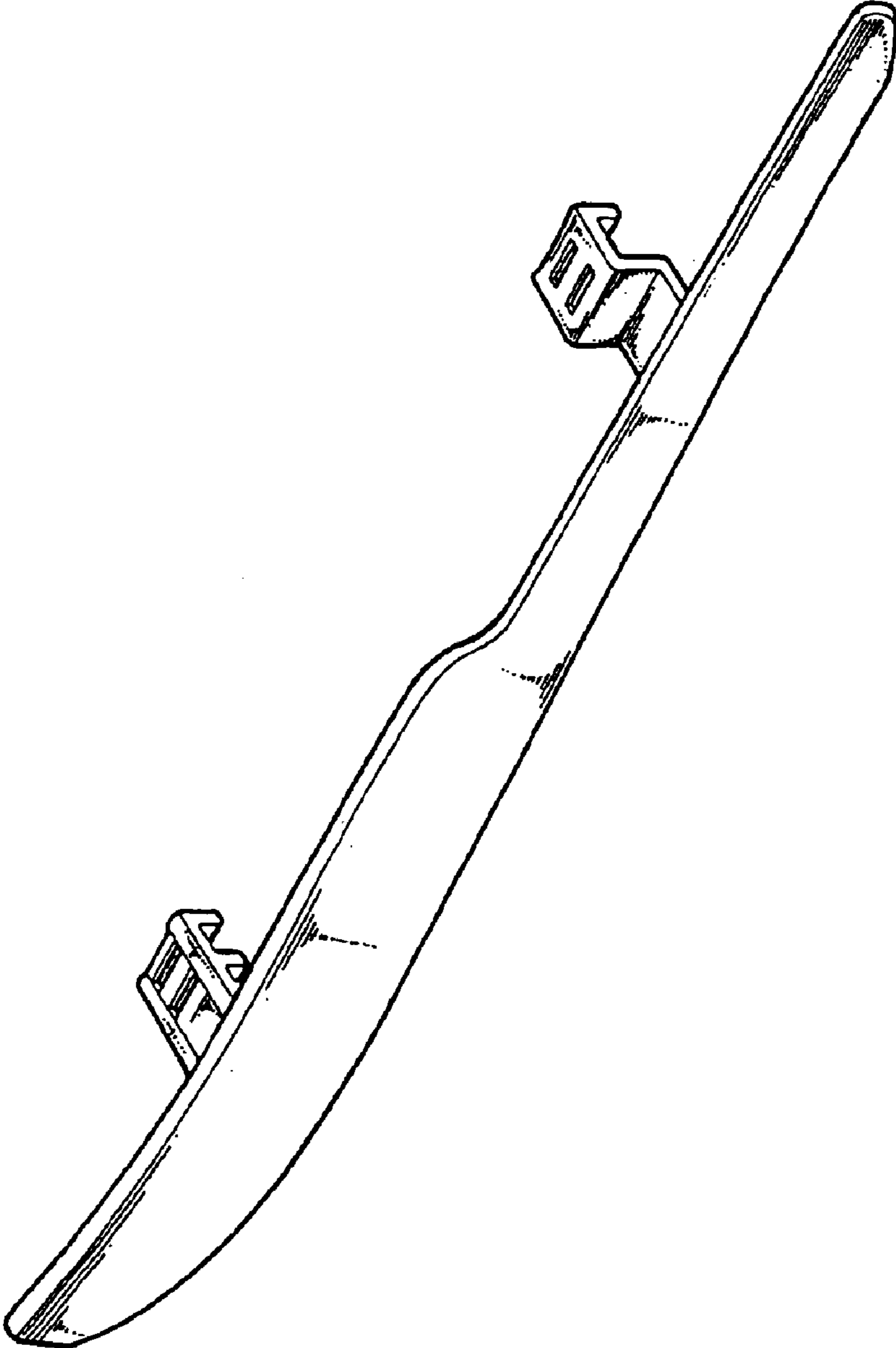


FIG. 1

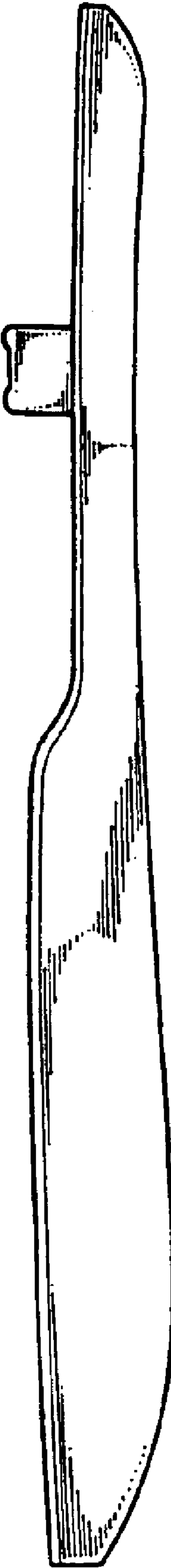


FIG. 2

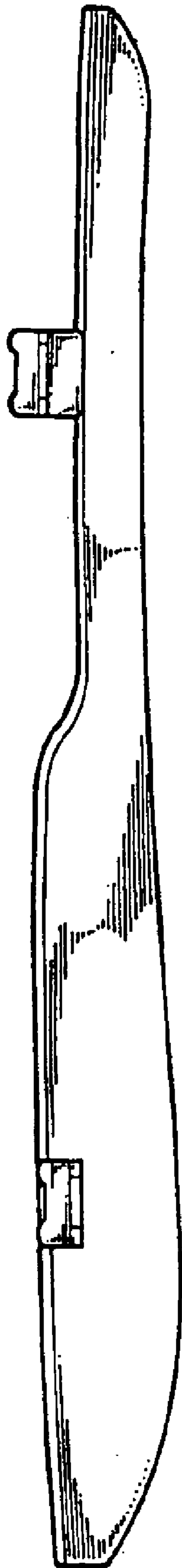


FIG. 3



**FIG. 4**



**FIG. 5**

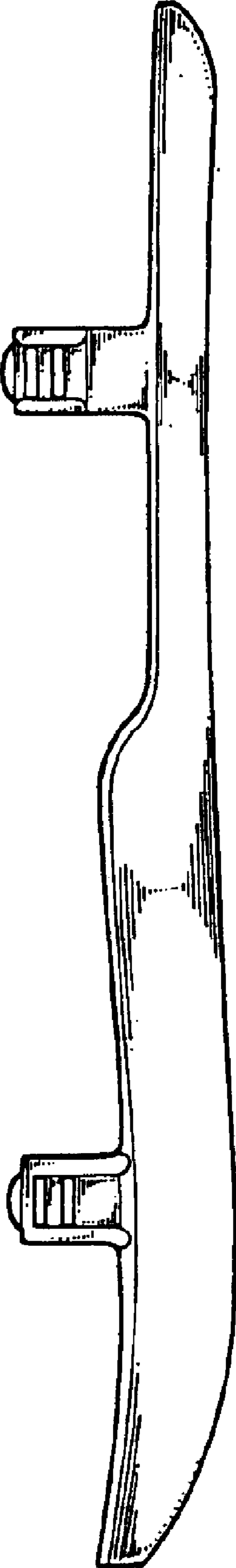


FIG. 6



FIG. 7