

US00D500724S

(12) **United States Design Patent**  
**Hong**

(10) **Patent No.:** **US D500,724 S**

(45) **Date of Patent:** **\*\* Jan. 11, 2005**

(54) **WHEEL**  
(75) **Inventor:** **Hwan Pyo Hong, Shihung (KR)**  
(73) **Assignee:** **Blingz Inc., Camarillo, CA (US)**  
(\*\*) **Term:** **14 Years**

D466,465 S \* 12/2002 Kim ..... D12/209  
D475,337 S 6/2003 Kataoka ..... D12/209  
D476,282 S 6/2003 Kataoka ..... D12/209  
D477,264 S 7/2003 Horji ..... D12/209  
D477,265 S \* 7/2003 Chung ..... D12/211  
D477,266 S \* 7/2003 Chung ..... D12/211  
D478,306 S \* 8/2003 Brown et al. .... D12/211  
D480,038 S \* 9/2003 Oh ..... D12/211  
D480,348 S \* 10/2003 Donikoglu ..... D12/211

(21) **Appl. No.:** **29/189,540**  
(22) **Filed:** **Sep. 8, 2003**

\* cited by examiner

(51) **LOC (7) Cl.** ..... **12-16**  
(52) **U.S. Cl.** ..... **D12/211**  
(58) **Field of Search** ..... D12/204-213;  
301/37.101, 64.101, 65

*Primary Examiner*—Stacia Cadmus  
(74) *Attorney, Agent, or Firm*—Park & Sutton LLP; John K. Park

(57) **CLAIM**

The ornamental design for a wheel, as shown and described.

(56) **References Cited**

**DESCRIPTION**

**U.S. PATENT DOCUMENTS**

D219,871 S \* 2/1971 Griffith ..... D12/209  
3,726,672 A \* 4/1973 Lindberg et al. .... 420/530  
D336,743 S \* 6/1993 Cattaneo ..... D12/211  
D409,969 S \* 5/1999 Chung ..... D12/211  
D423,441 S \* 4/2000 Bildhaeuser ..... D12/209  
D431,807 S \* 10/2000 Fitzgerald ..... D12/211  
D453,133 S \* 1/2002 Murkett et al. .... D12/209  
D465,185 S \* 11/2002 Chung ..... D12/211

FIG. 1 is a perspective view of a wheel showing my new design; and,  
FIG. 2 is a front elevational view of FIG. 1.  
The broken line showing of environment is for illustrative purposes only and forms no part of the claimed design.

**1 Claim, 2 Drawing Sheets**

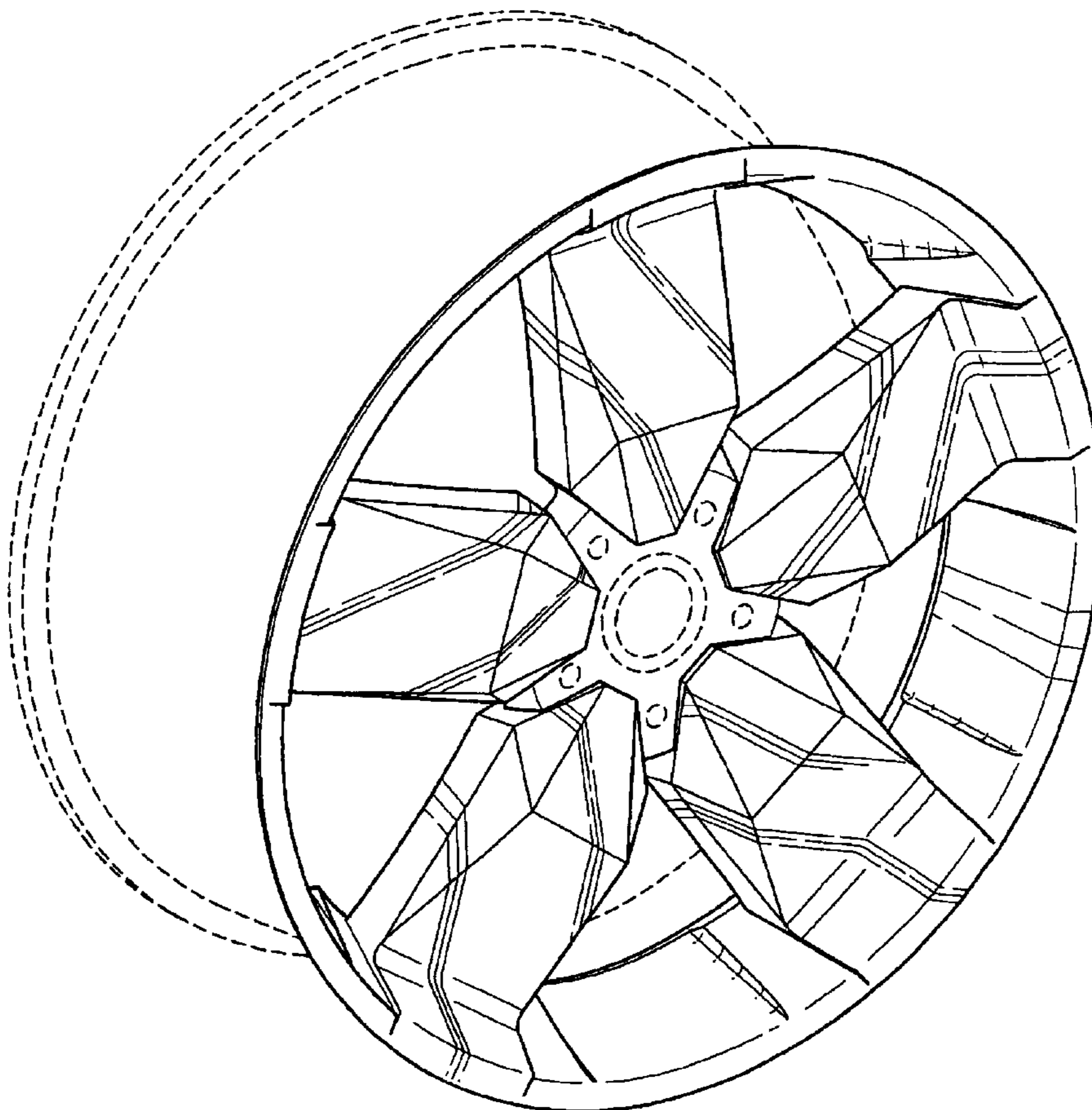


Fig. 1

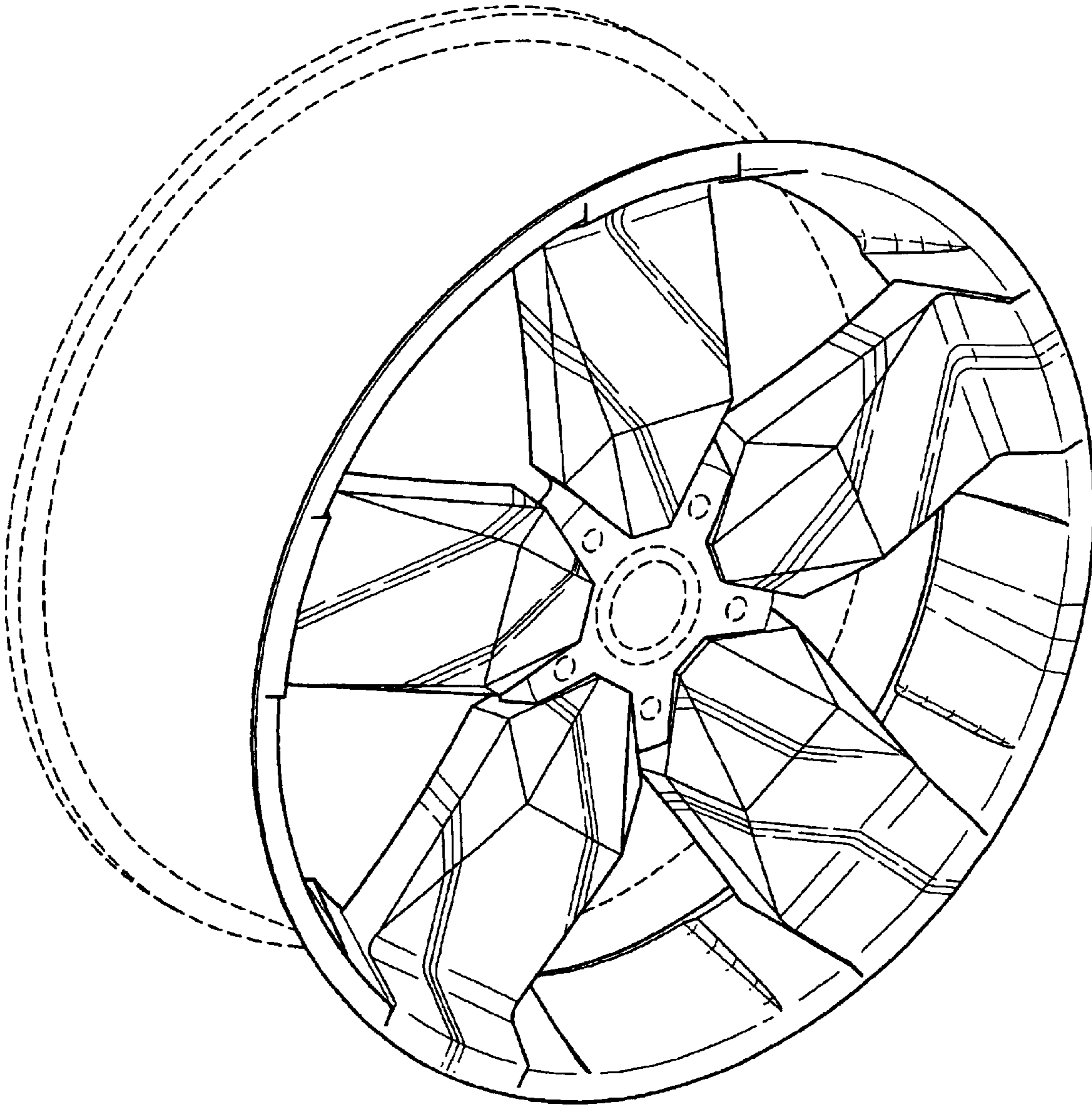


Fig. 2

