

US00D500721S

(12) **United States Design Patent**
Kataoka

(10) **Patent No.:** **US D500,721 S**
(45) **Date of Patent:** **** Jan. 11, 2005**

(54) **WHEEL**
(75) **Inventor:** **Tatsuya Kataoka, Gunma (JP)**
(73) **Assignee:** **Rimtech Inc., Gardena, CA (US)**
(**) **Term:** **14 Years**

D481,342 S 10/2003 Kang
D481,343 S 10/2003 Kang
D481,347 S 10/2003 Kang
D481,348 S 10/2003 Kang
D483,713 S * 12/2003 Tirado D12/209
D486,108 S * 2/2004 Min D12/209
D487,420 S 3/2004 Kang
D490,354 S * 5/2004 Kataoka D12/209
D493,401 S * 7/2004 Kataoka D12/209

(21) **Appl. No.:** **29/206,748**
(22) **Filed:** **Jun. 3, 2004**

* cited by examiner

(51) **LOC (7) Cl.** **12-16**
(52) **U.S. Cl.** **D12/209**
(58) **Field of Search** **D12/204-213;**
301/37.101, 64.101, 65

Primary Examiner—Stacia Cadmus
(74) *Attorney, Agent, or Firm*—Park & Sutton LLP; John K. Park

(57) **CLAIM**

The ornamental design for a wheel, as shown and described.

(56) **References Cited**

DESCRIPTION

U.S. PATENT DOCUMENTS

D458,203 S * 6/2002 Kataoka D12/209
D458,572 S * 6/2002 Fitzgerald D12/209
D463,348 S * 9/2002 Kataoka D12/209
D475,337 S * 6/2003 Kataoka D12/209
D477,264 S * 7/2003 Marji D12/209
D478,539 S * 8/2003 Brown et al. D12/209
D480,345 S * 10/2003 Kataoka D12/209

FIG. 1 is a perspective view of a wheel showing my new design; and,
FIG. 2 is a front elevational view of FIG. 1.
The broken line showing of environment is for illustrative purposes only and forms no part of the claimed design.

1 Claim, 2 Drawing Sheets

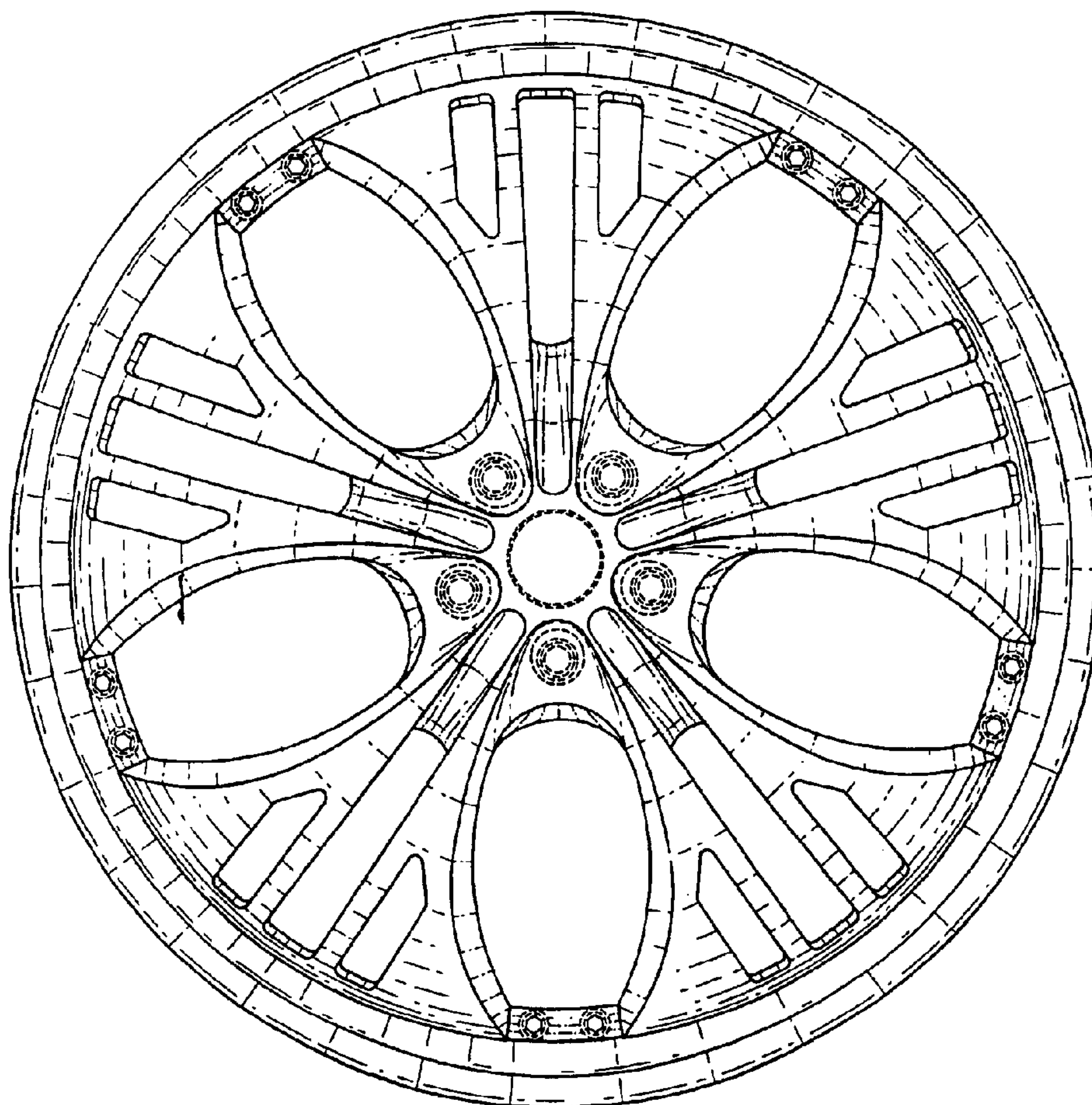


Fig. 1

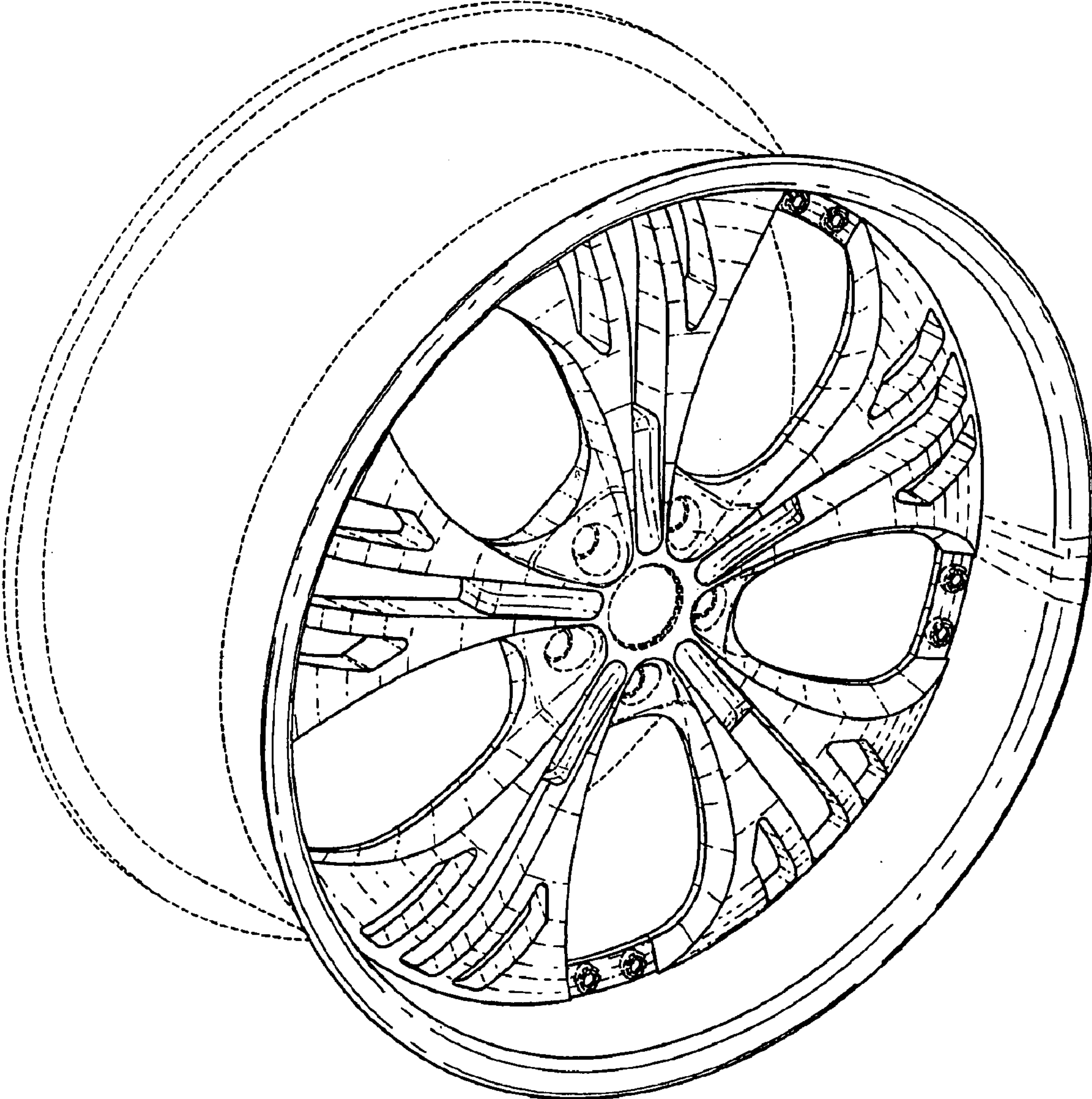


Fig. 2

