

US00D500719S

(12) **United States Design Patent**
Baker

(10) **Patent No.:** **US D500,719 S**

(45) **Date of Patent:** **** Jan. 11, 2005**

(54) **DRIVING HUB FOR A WHEEL MOUNTED
DECORATIVE MEMBER**

D381,615 S * 7/1997 Smith et al. D12/207
D442,904 S * 5/2001 Herrera D12/207
D470,447 S * 2/2003 Orey D12/207

(76) Inventor: **Scott Baker**, 5530 Kester Ave.,
Sherman Oaks, CA (US) 91411

* cited by examiner

(**) Term: **14 Years**

Primary Examiner—Stacia Cadmus

(74) *Attorney, Agent, or Firm*—Roger A. Marrs

(21) Appl. No.: **29/208,251**

(57) **CLAIM**

(22) Filed: **Jun. 28, 2004**

The ornamental design for a driving hub for a wheel mounted decorative member, substantially as shown and described.

(51) **LOC (7) Cl.** **12-16**

(52) **U.S. Cl.** **D12/207**

(58) **Field of Search** D12/204, 207,
D12/209, 211, 213, 400; 301/64.1, 65,
63.1, 108.1, 108.5, 105.1, 37.29, 110.5;
280/250.1, 279

DESCRIPTION

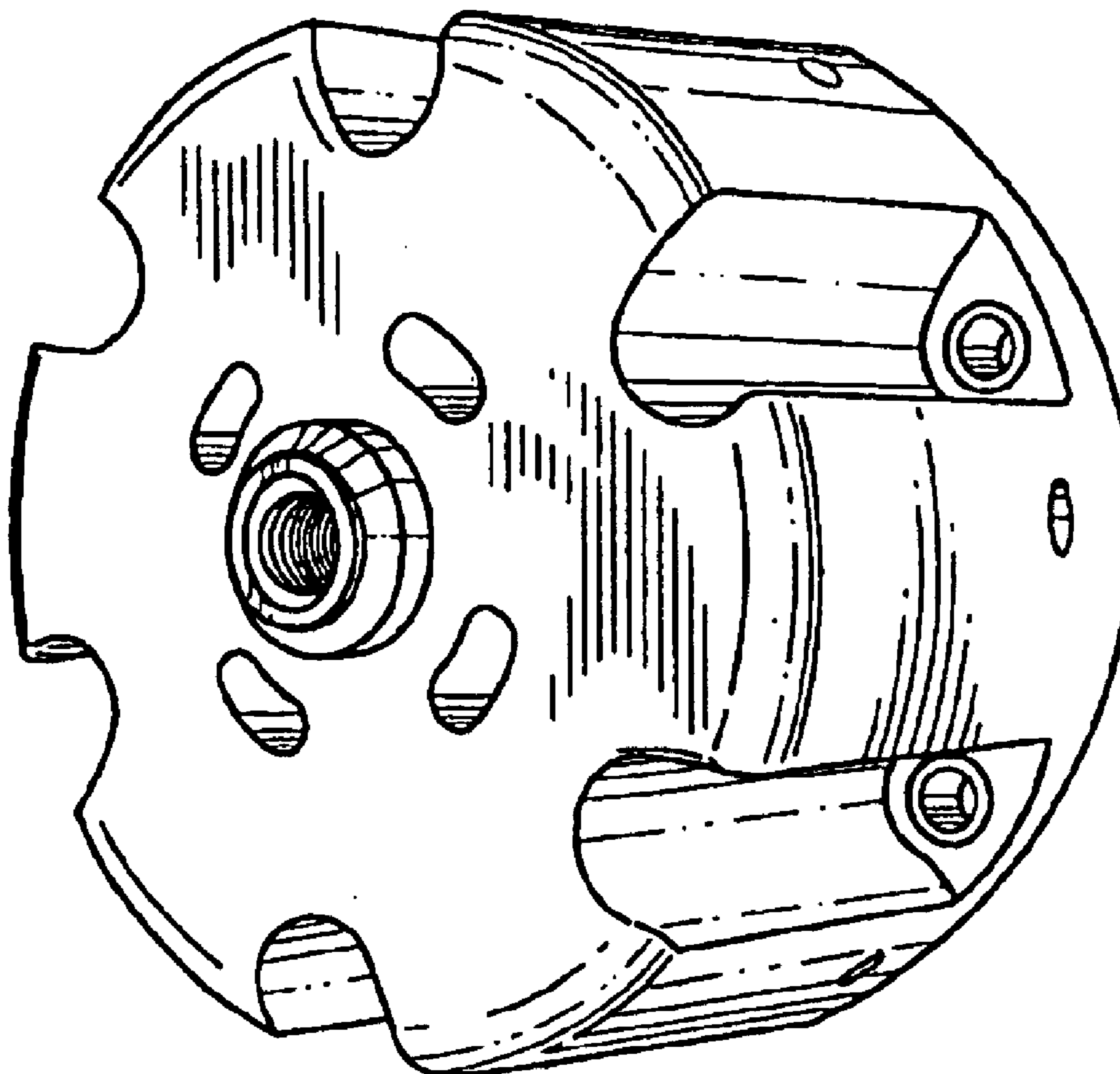
FIG. 1 is a front perspective view of a driving hub for a wheel mounted decorative member showing my new design; FIG. 2 is a top plan view thereof with the bottom view being a mirror image thereof; FIG. 3 is a front elevational view thereof with the rear view being plain and unadorned; and, FIG. 4 is a side elevational view thereof.

(56) **References Cited**

U.S. PATENT DOCUMENTS

D248,748 S * 8/1978 Siroonian D12/207
D359,021 S * 6/1995 Snook D12/207
D381,310 S * 7/1997 Zemlicka et al. D12/207

1 Claim, 1 Drawing Sheet



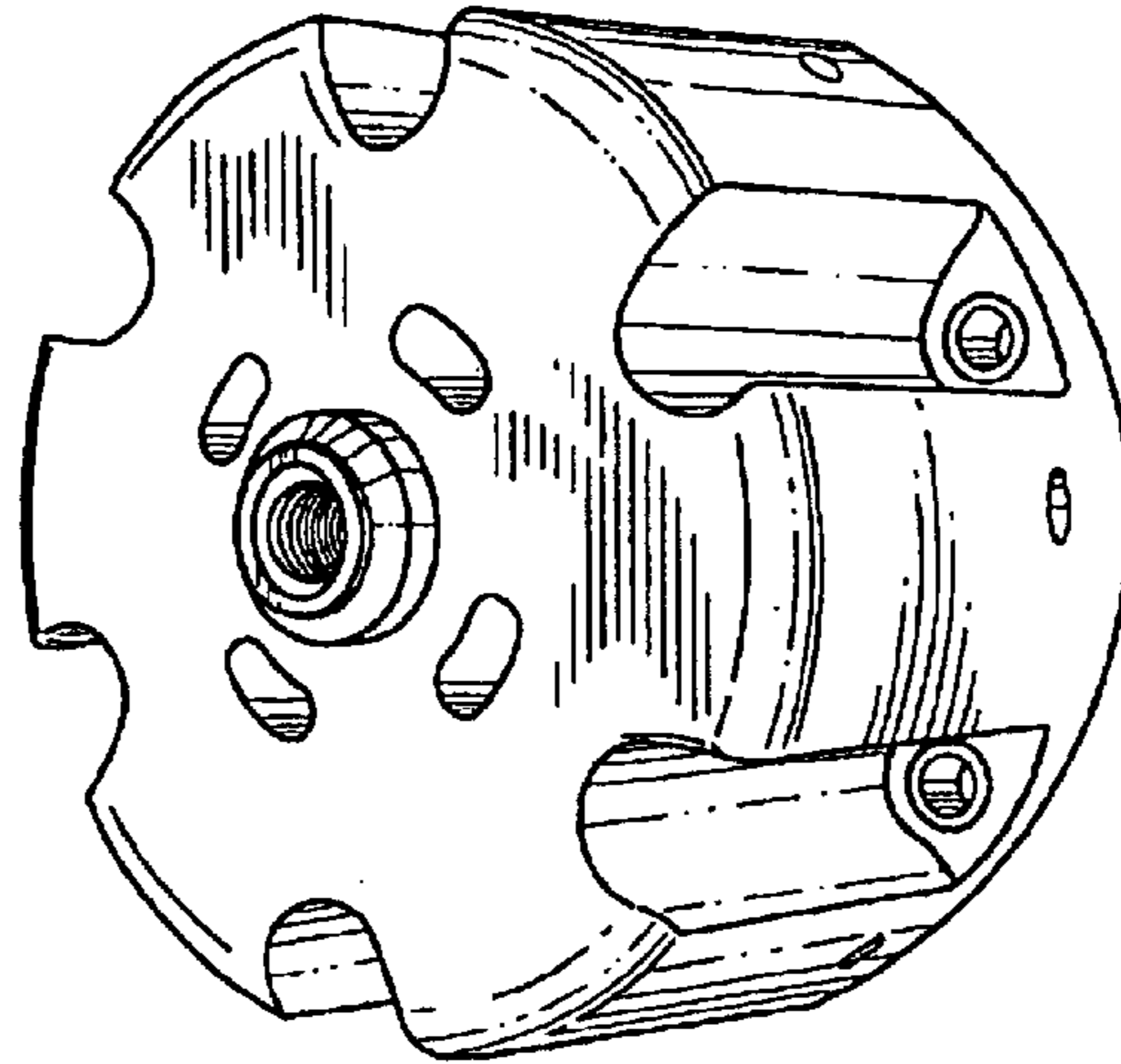


FIG. 1

FIG. 2

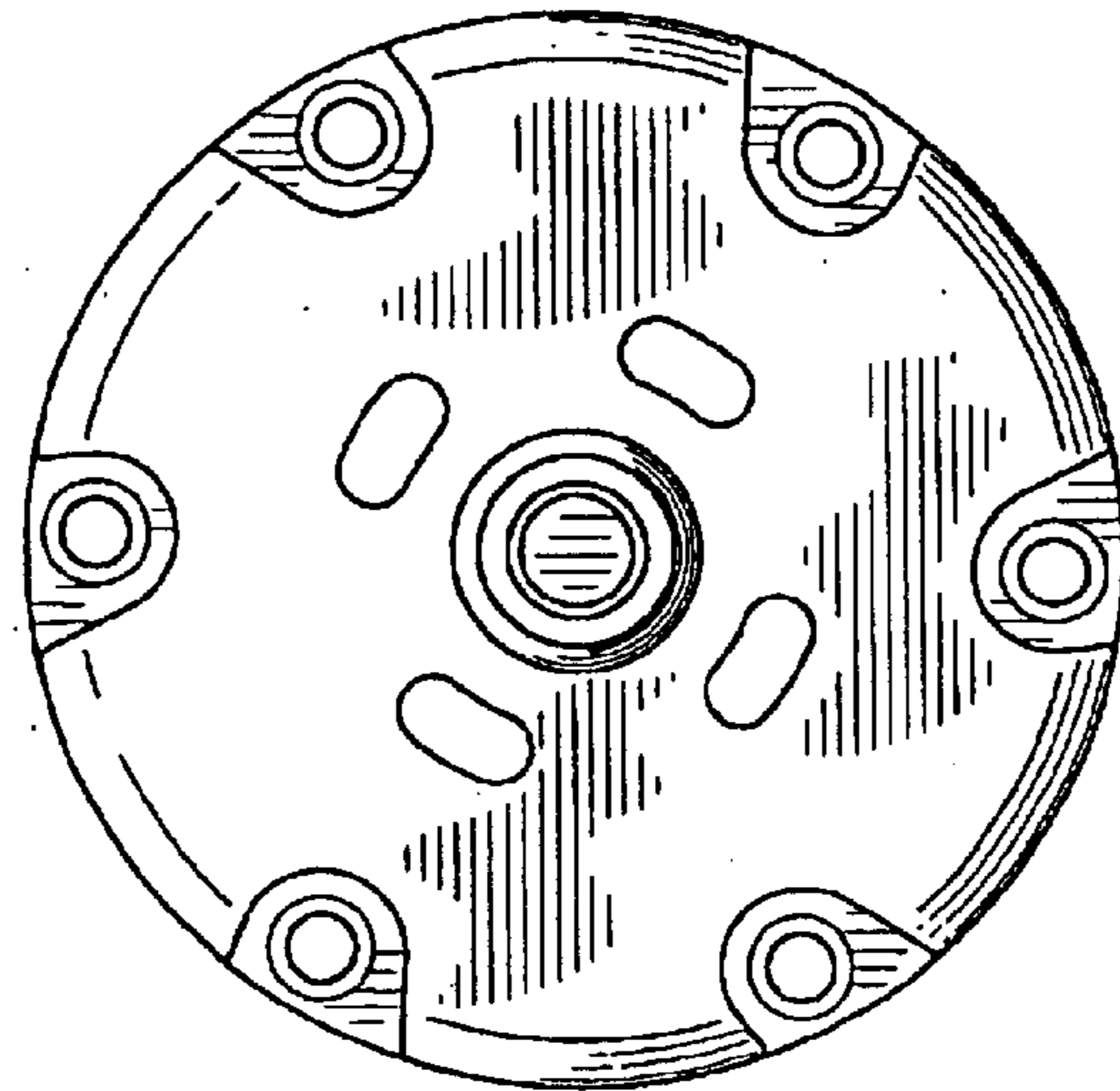
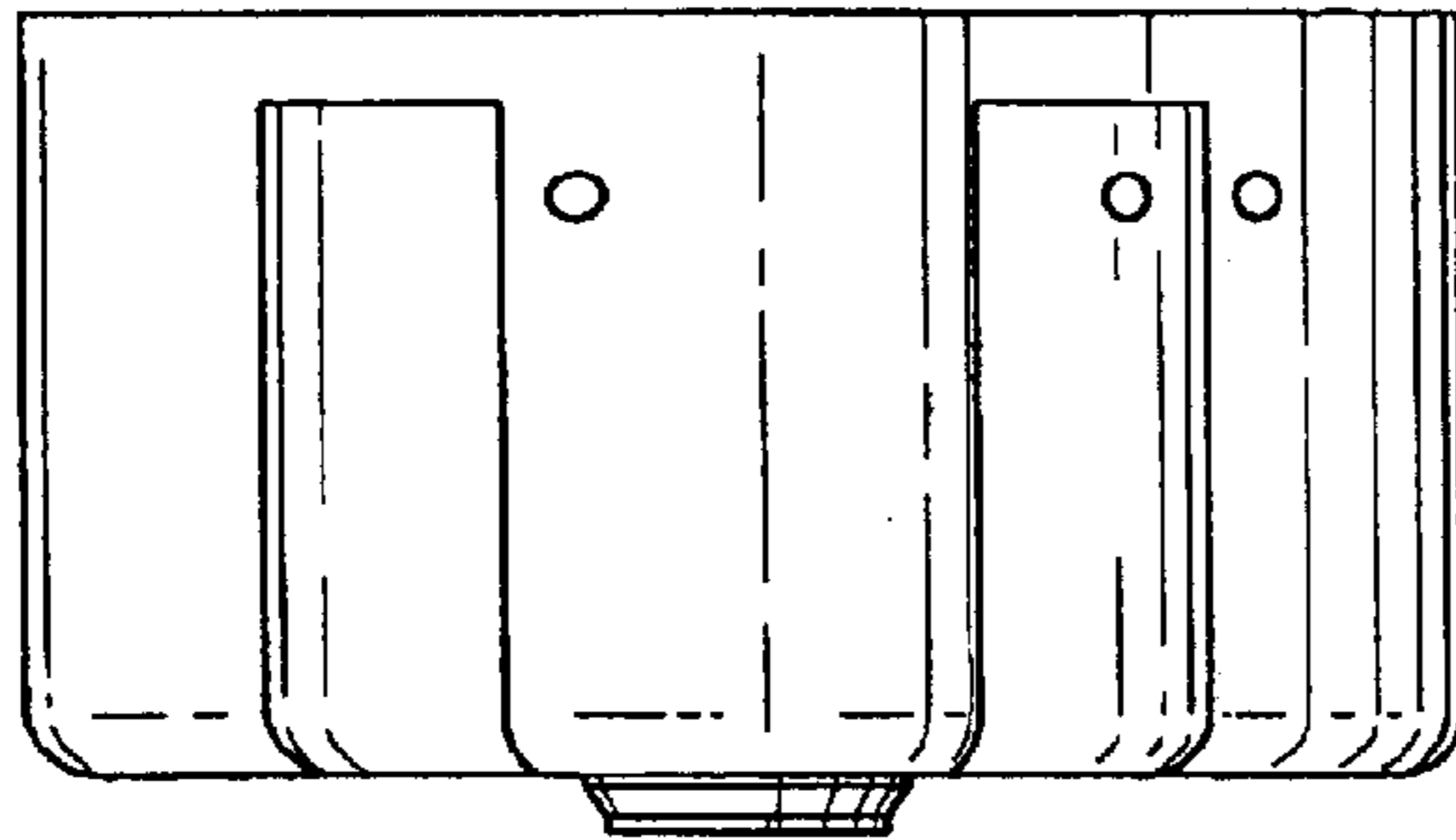


FIG. 3

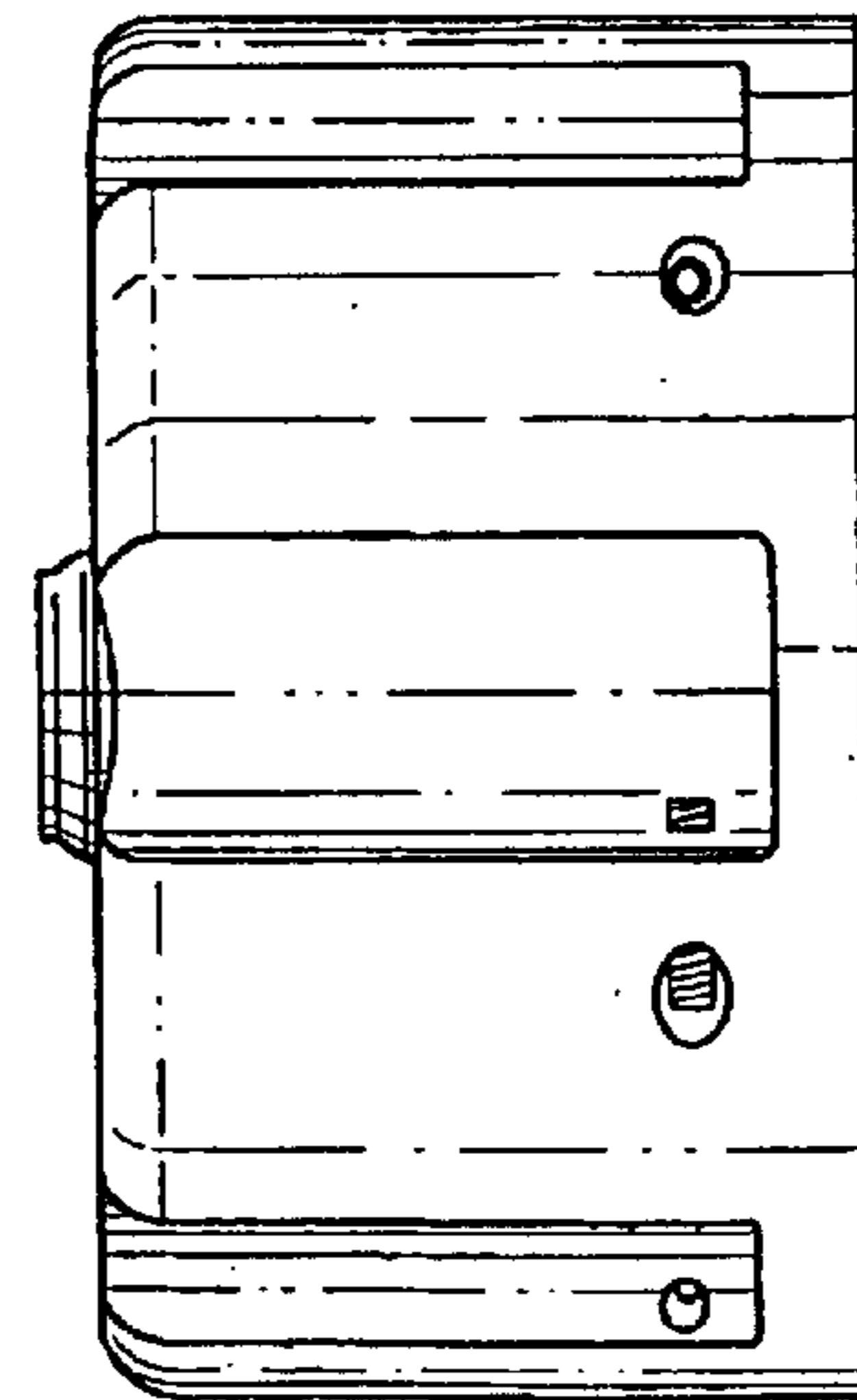


FIG. 4