

US00D500717S

(12) **United States Design Patent**  
**Mays et al.**

(10) **Patent No.:** **US D500,717 S**  
(45) **Date of Patent:** **\*\* Jan. 11, 2005**

- (54) **SIDEVIEW MIRROR**
- (75) Inventors: **J C. Mays**, Dearborn, MI (US); **Larry R. Erickson**, Birmingham, MI (US)
- (73) Assignee: **Ford Global Technologies, LLC**, Dearborn, MI (US)
- (\*\*) Term: **14 Years**
- (21) Appl. No.: **29/194,544**
- (22) Filed: **Nov. 26, 2003**
- (51) **LOC (7) Cl.** ..... **12-16**
- (52) **U.S. Cl.** ..... **D12/187**
- (58) **Field of Search** ..... D12/187-189;  
359/838-851, 855-868, 871-881

D489,659 S \* 5/2004 Metros et al. .... D12/187  
D493,755 S \* 8/2004 Kneefel et al. .... D12/187

**OTHER PUBLICATIONS**

40 Pages—Photographs of Commercial Parts.

\* cited by examiner

*Primary Examiner*—Melody N. Brown

(74) *Attorney, Agent, or Firm*—Gigette M. Bejin

(57) **CLAIM**

The ornamental design for a sideview mirror, as shown and described.

**DESCRIPTION**

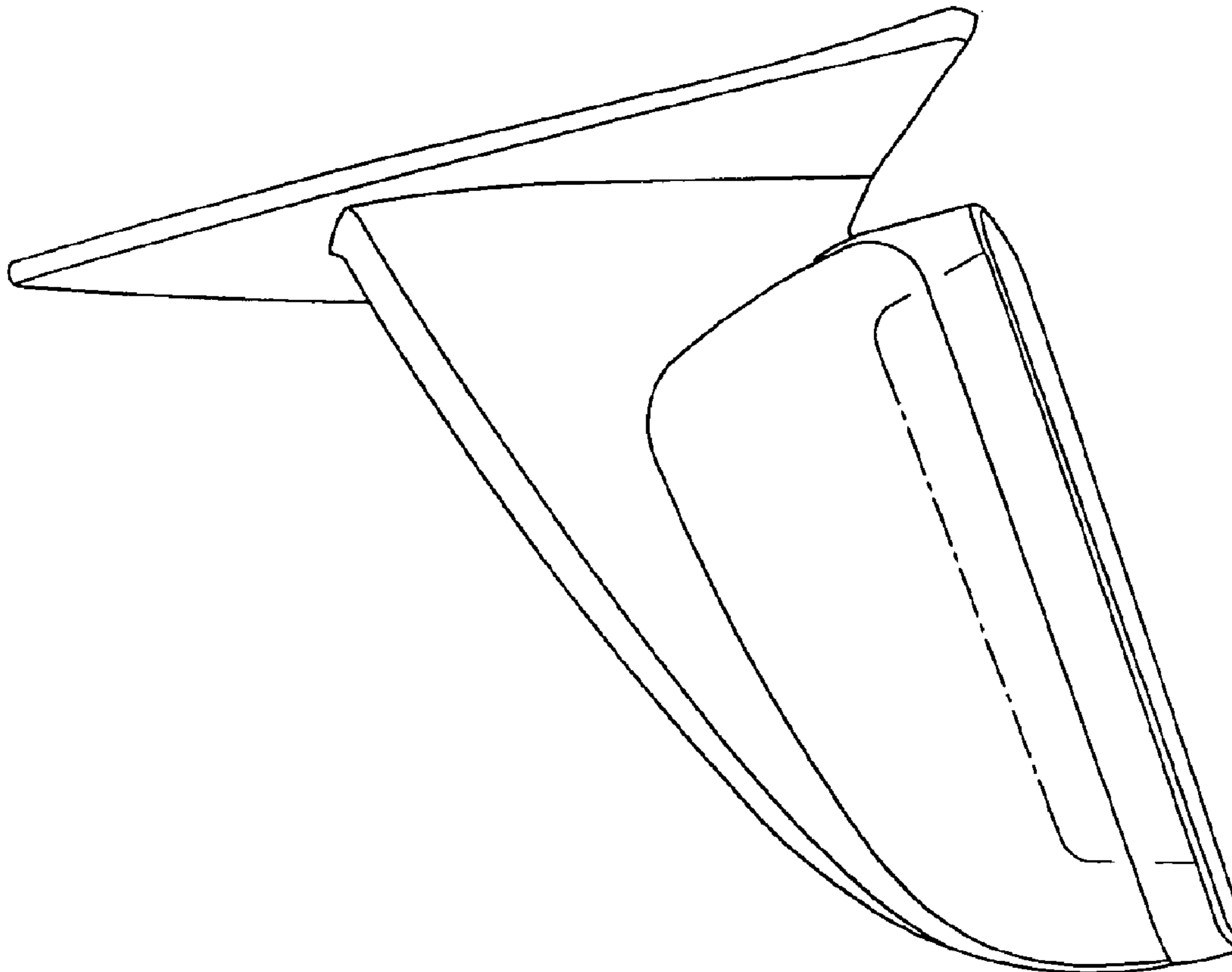
FIG. 1 is a top plan view of the sideview mirror.  
FIG. 2 is a side view of the sideview mirror of FIG. 1;  
FIG. 3 is a front view of the sideview mirror of FIG. 1; and,  
FIG. 4 is a side view of the sideview mirror of FIG. 1.  
The broken lines are used in the Drawings to denote certain subject matter, for example, environmental structure or boundaries, that form no part of the design to be patented.

(56) **References Cited**

**U.S. PATENT DOCUMENTS**

- D372,450 S \* 8/1996 Santo ..... D12/187
- D455,690 S \* 4/2002 Lee ..... D12/187
- D478,853 S \* 8/2003 Boyer ..... D12/187
- D489,657 S \* 5/2004 Metros et al. .... D12/187
- D489,658 S \* 5/2004 Metros et al. .... D12/187

**1 Claim, 2 Drawing Sheets**



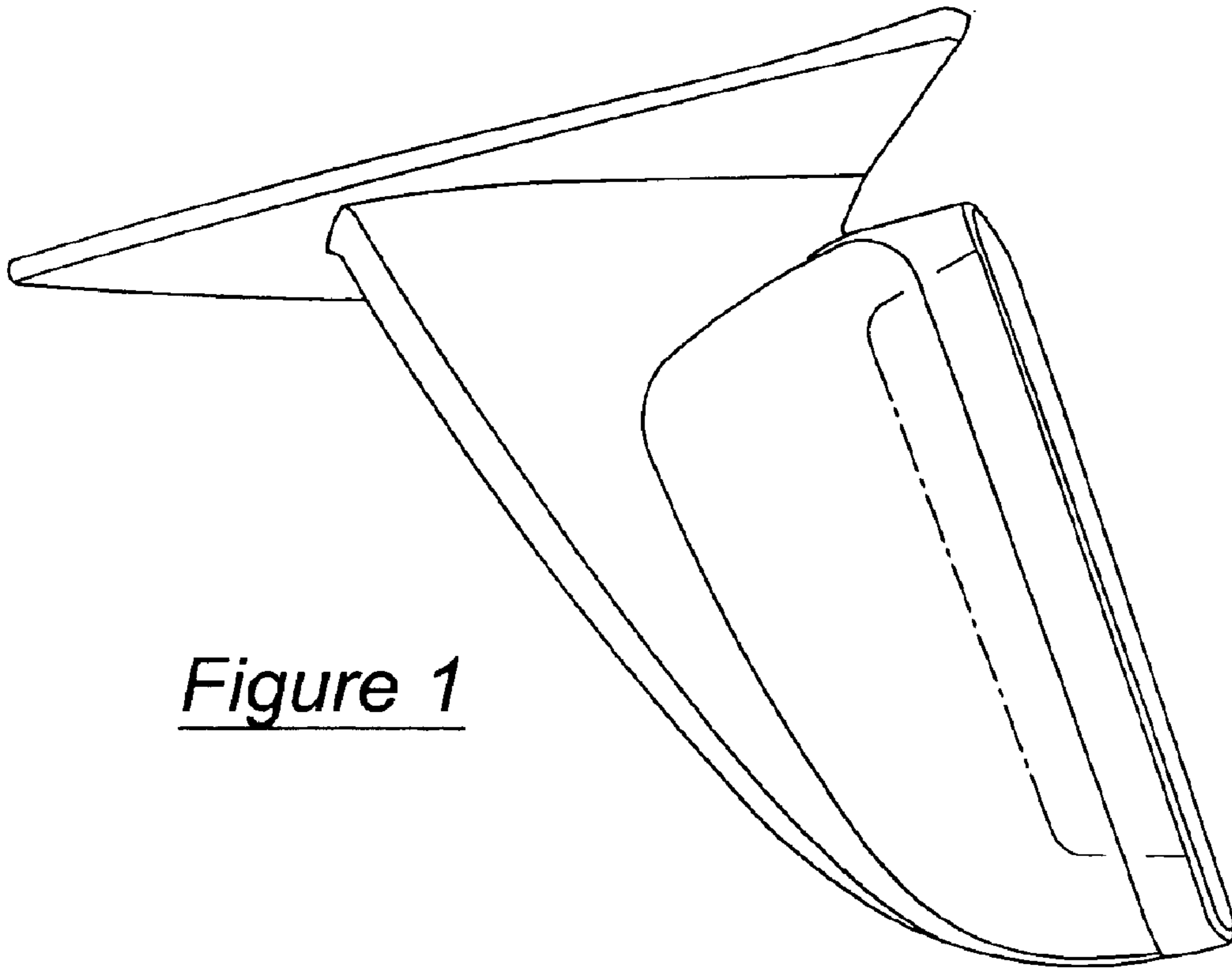


Figure 1

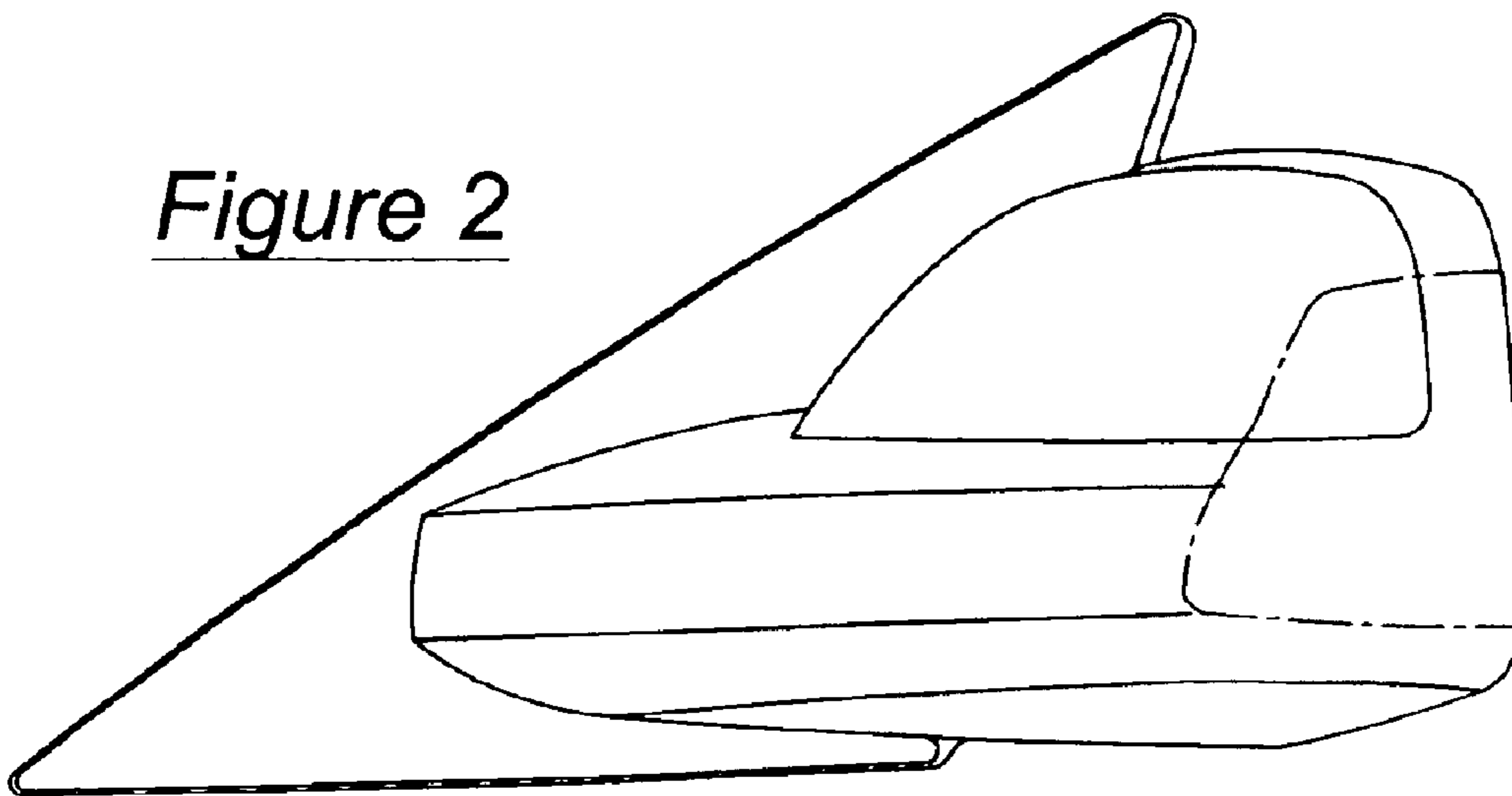


Figure 2

