

US00D500715S

(12) **United States Design Patent**
Lindenman et al.

(10) **Patent No.:** **US D500,715 S**
(45) **Date of Patent:** **** Jan. 11, 2005**

(54) **ARCHED LEG FOR FIFTH WHEEL HITCH**

(75) Inventors: **Thomas W. Lindenman**, South Bend, IN (US); **Richard W. McCoy**, Granger, IN (US); **Anthony S. Roberts**, Granger, IN (US)

(73) Assignee: **Cequent Towing Products, Inc.**, Plymouth, MI (US)

(**) Term: **14 Years**

(21) Appl. No.: **29/182,212**

(22) Filed: **May 21, 2003**

(51) **LOC (7) Cl.** **12-16**

(52) **U.S. Cl.** **D12/161**

(58) **Field of Search** D12/161-2, 400; 280/415.1-418, 433-4, 437, 438.1, 440-1, 474, 511, 901; 298/20 A

(56) **References Cited**

U.S. PATENT DOCUMENTS

- D34,292 S * 3/1901 Hagemeyer D12/161
- 4,444,408 A * 4/1984 Goth 280/438.1
- 5,356,167 A * 10/1994 Hall et al. 280/492
- 5,509,682 A 4/1996 Lindenman et al.

- 5,529,329 A 6/1996 McCoy
- D380,719 S 7/1997 Lindenman et al.
- D395,025 S 6/1998 Lindenman et al.
- D423,998 S 5/2000 Lindenman et al.
- D434,719 S * 12/2000 McCoy et al. D12/413
- 6,170,851 B1 * 1/2001 Lindenman et al. 280/434
- D488,412 S * 4/2004 Lindenman et al. D12/161

* cited by examiner

Primary Examiner—Robert M. Spear

(74) *Attorney, Agent, or Firm*—King & Schickli, PLLC

(57) **CLAIM**

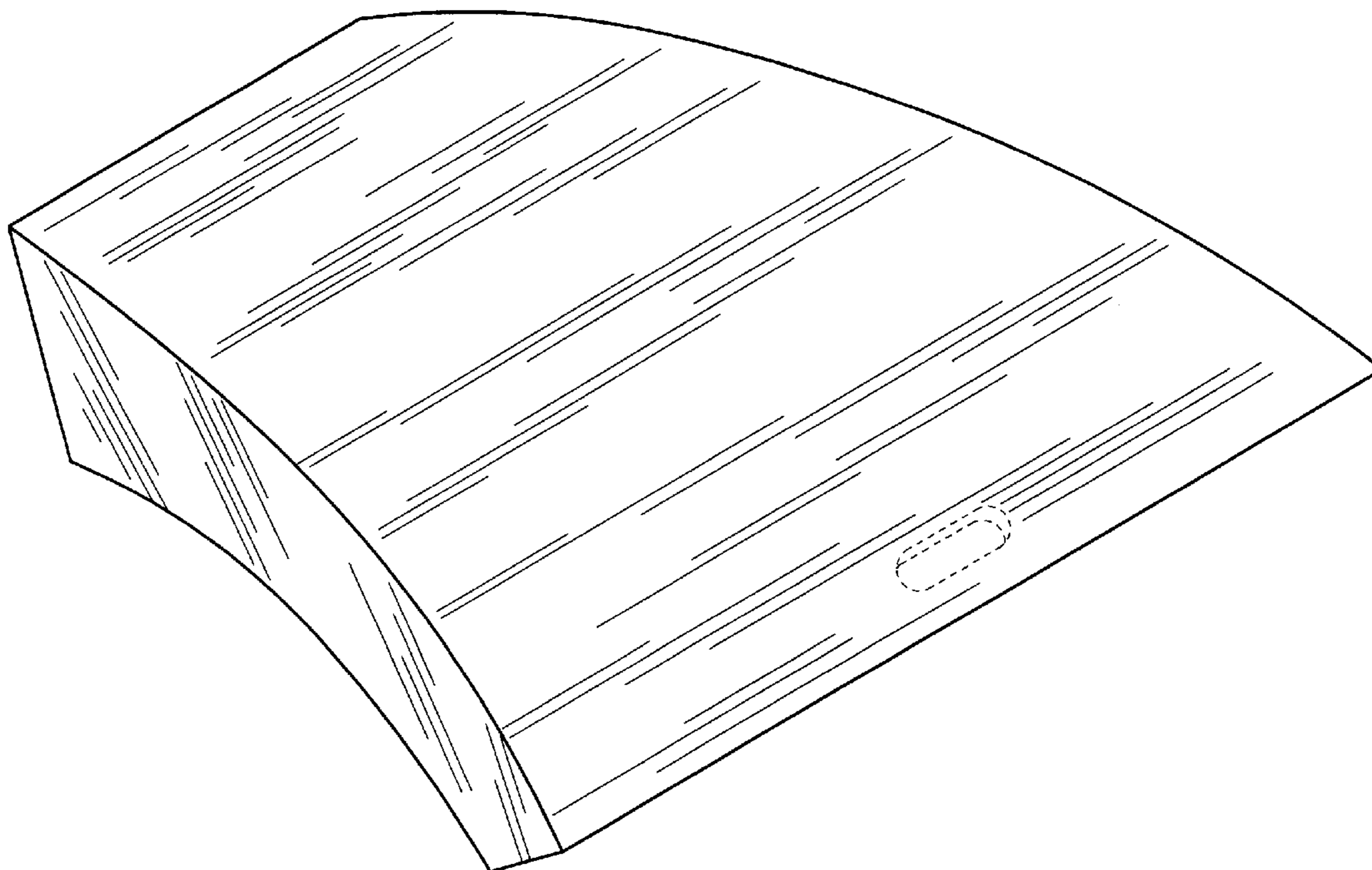
The ornamental design for an arched leg for fifth wheel hitch, as shown and described.

DESCRIPTION

FIG. 1 is a perspective view of the arched leg for fifth wheel hitch of the present invention; FIG. 2 is a front elevational view thereof; FIG. 3 is a left side elevational view thereof; FIG. 4 is a rear elevational view thereof. FIG. 5 is a right side elevational view thereof; and, FIG. 6 is a top plan view thereof.

The broken lines in the drawings represent environmental structure only and form no part of the claimed design.

1 Claim, 3 Drawing Sheets



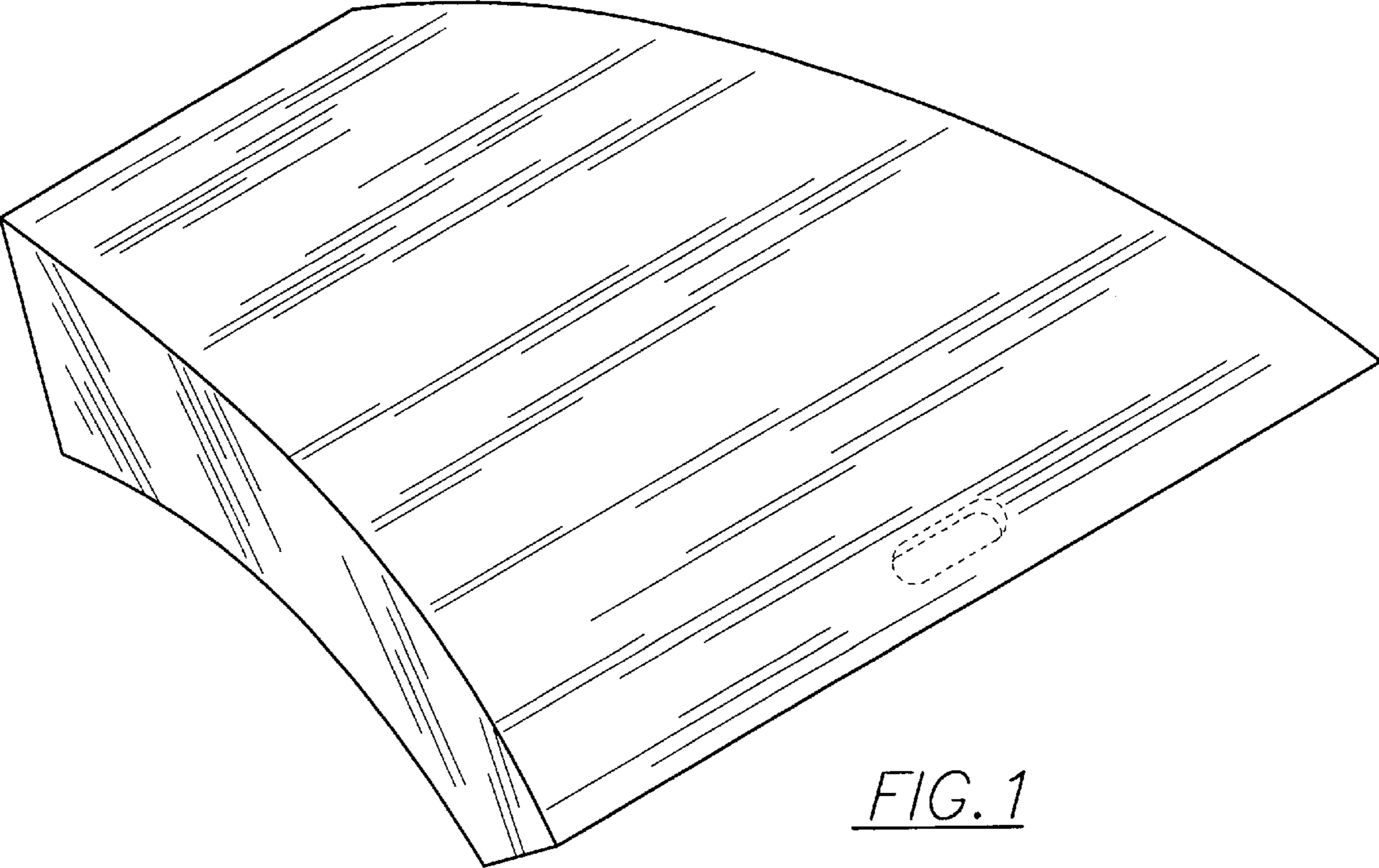


FIG. 1

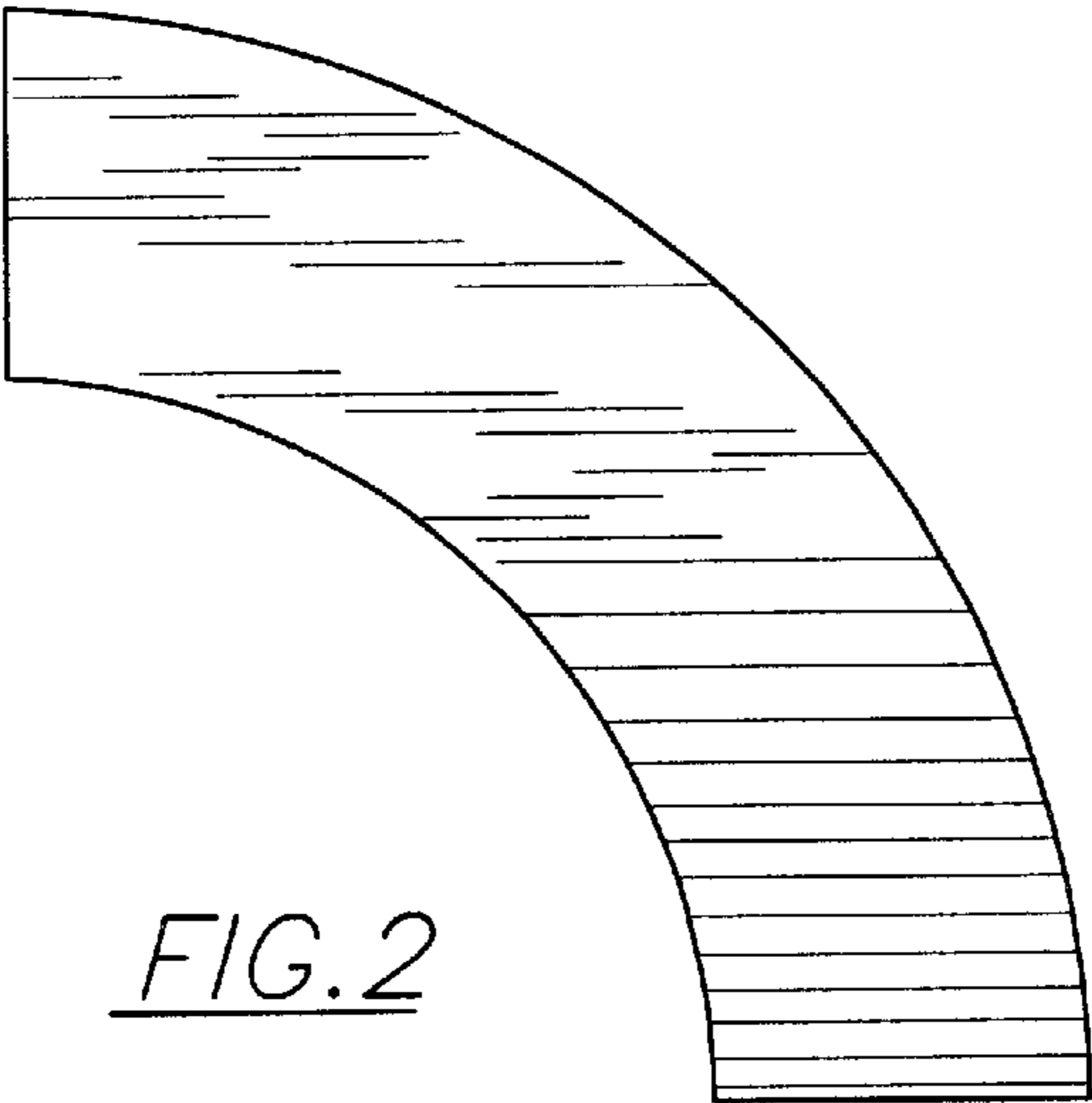


FIG. 2

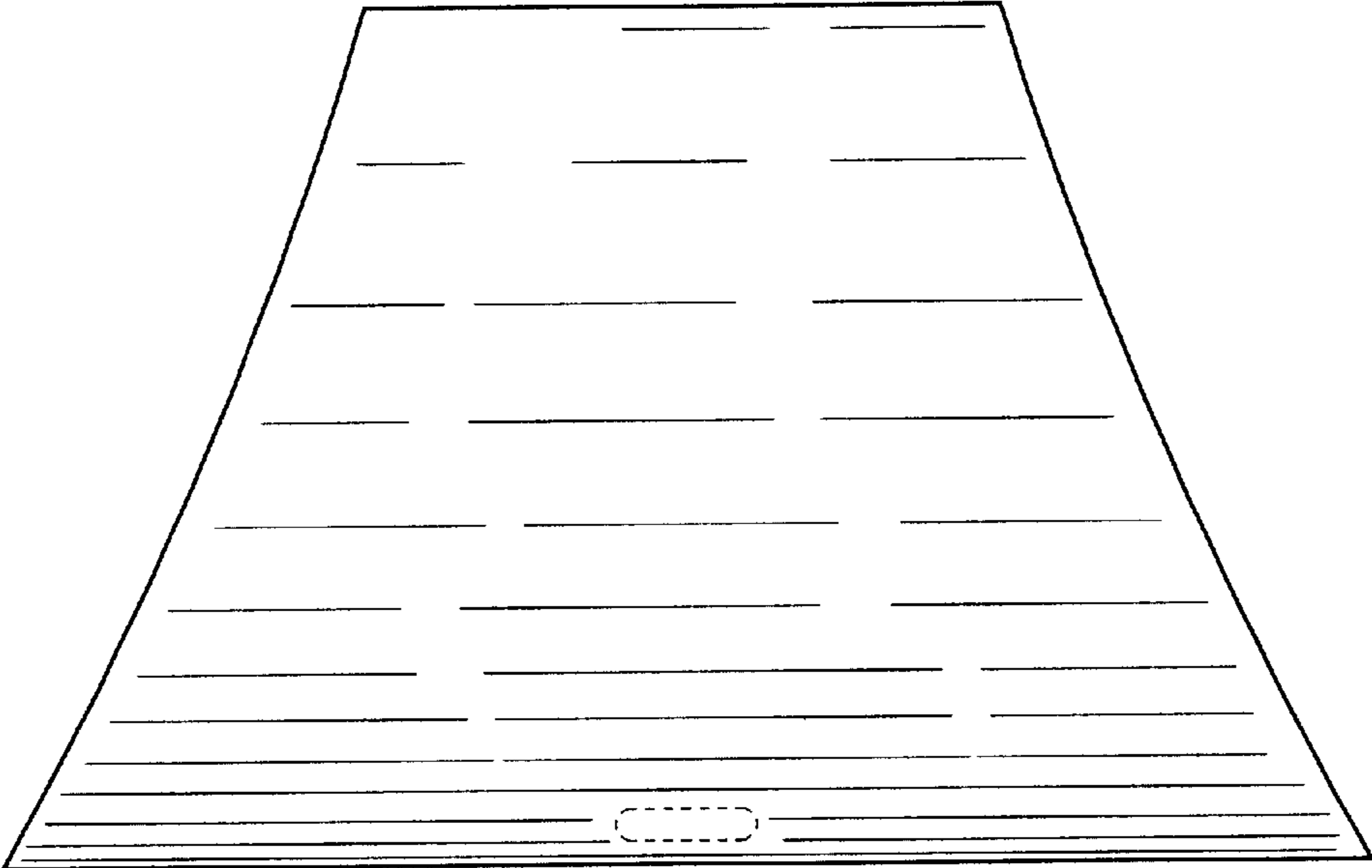


FIG. 3

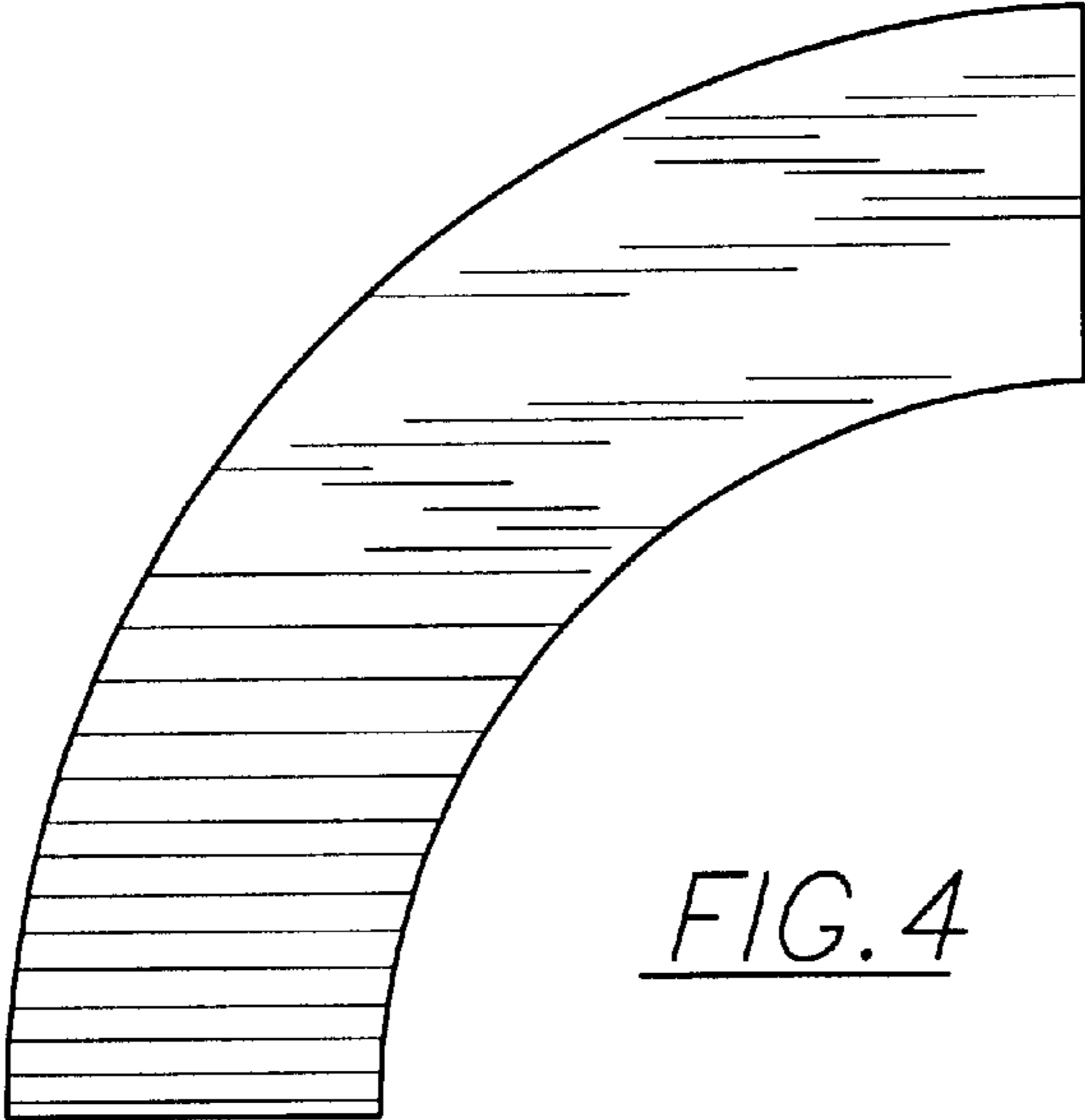


FIG. 4

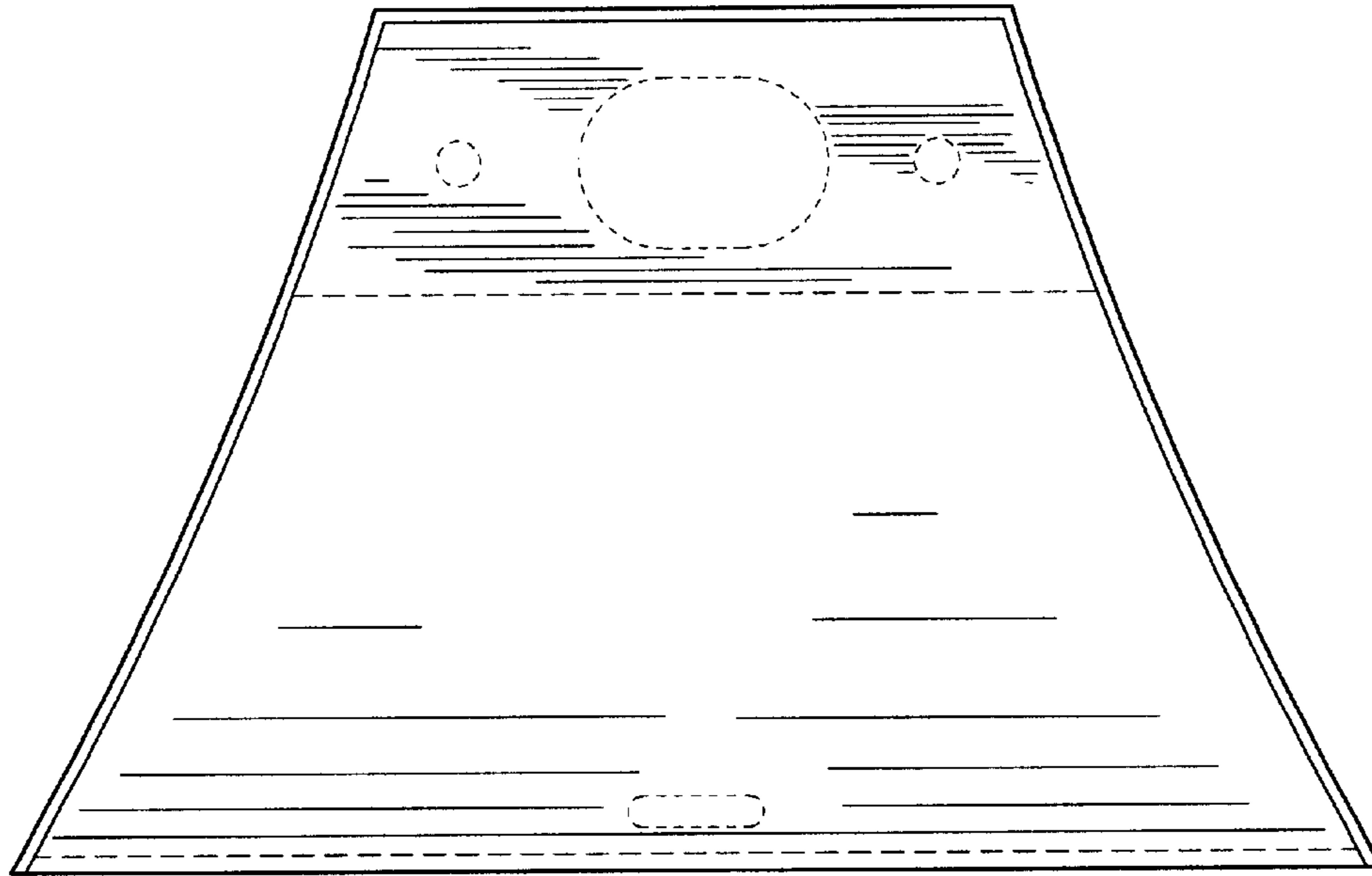


FIG. 5

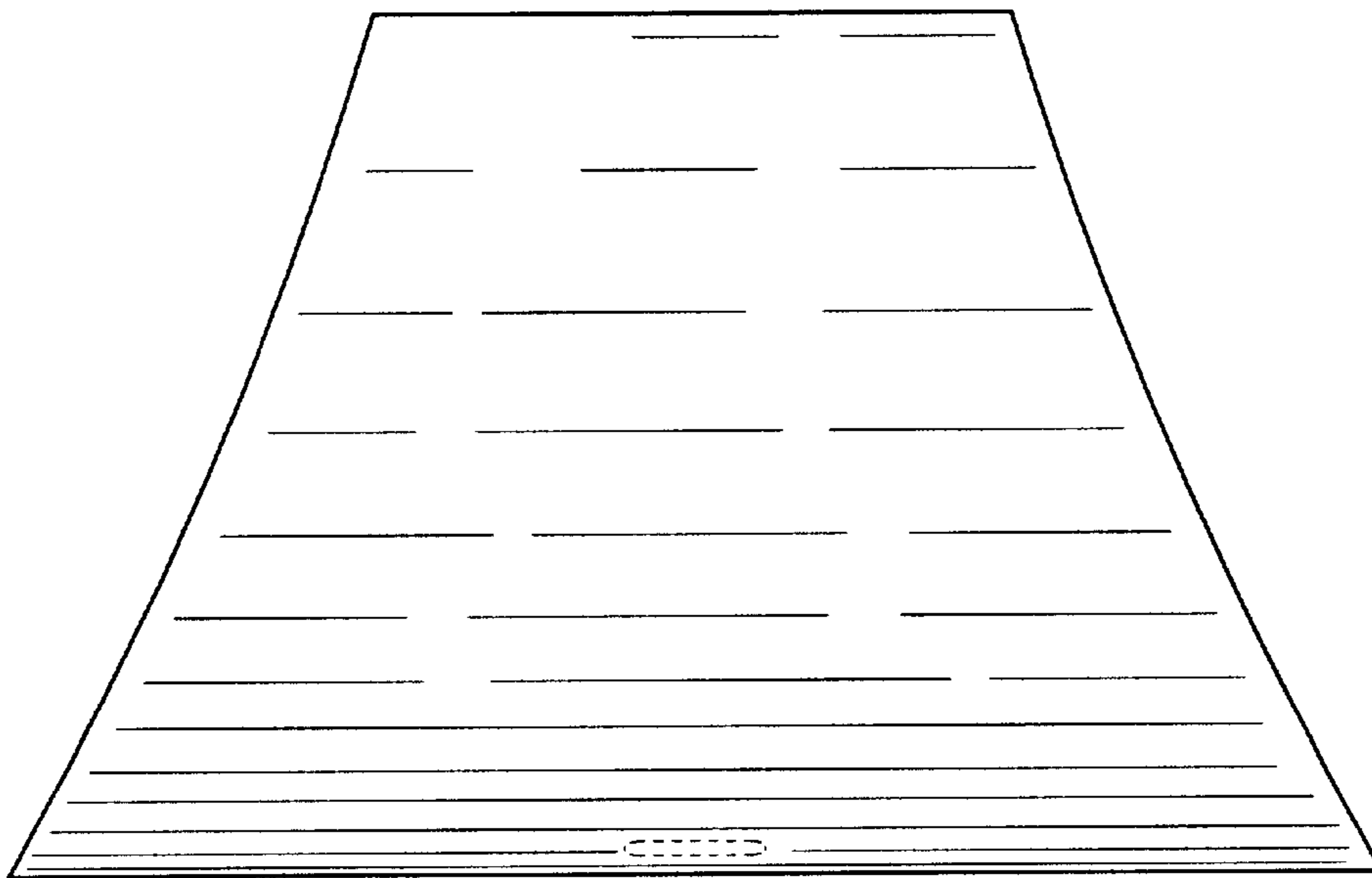


FIG. 6