



US00D500713S

(12) **United States Design Patent**  
**Gunter et al.**

(10) **Patent No.:** **US D500,713 S**  
(45) **Date of Patent:** **\*\* Jan. 11, 2005**

(54) **BICYCLE FRAME**

6,588,788 B2 \* 7/2003 Clark ..... 280/288.4

(75) Inventors: **David M. Gunter**, Centerville, OH  
(US); **Andrew J. Bean**, Cincinnati, OH  
(US); **Craig M. Saunders**, Rock River,  
OH (US)

\* cited by examiner

*Primary Examiner*—Alan P. Douglas  
*Assistant Examiner*—Linda Brooks  
(74) *Attorney, Agent, or Firm*—Howrey Simon Arnold &  
White, LLP; Michael J. Bell

(73) Assignee: **Huffy Corporation**, Miamisburg, OH  
(US)

(57) **CLAIM**

(\*\*) Term: **14 Years**

The ornamental design for a bicycle frame, as shown and described.

(21) Appl. No.: **29/196,143**

**DESCRIPTION**

(22) Filed: **Dec. 24, 2003**

(51) **LOC (7) Cl.** ..... **12-11**

(52) **U.S. Cl.** ..... **D12/111**

(58) **Field of Search** ..... D12/111, 117;  
D21/432, 538; 280/274–288, 281.1, 288.1–288.4,  
293

FIG. 1 is a perspective view of a bicycle frame embodying our design.

FIG. 2 is a front elevational view thereof;

FIG. 3 is a rear elevational view thereof;

FIG. 4 is a right side elevational view thereof;

FIG. 5 is a left side elevational view thereof;

FIG. 6 is a top plan view thereof; and,

FIG. 7 is a bottom plan view thereof.

The broken lines shown are for illustrative purposes only and form no part of the claimed design.

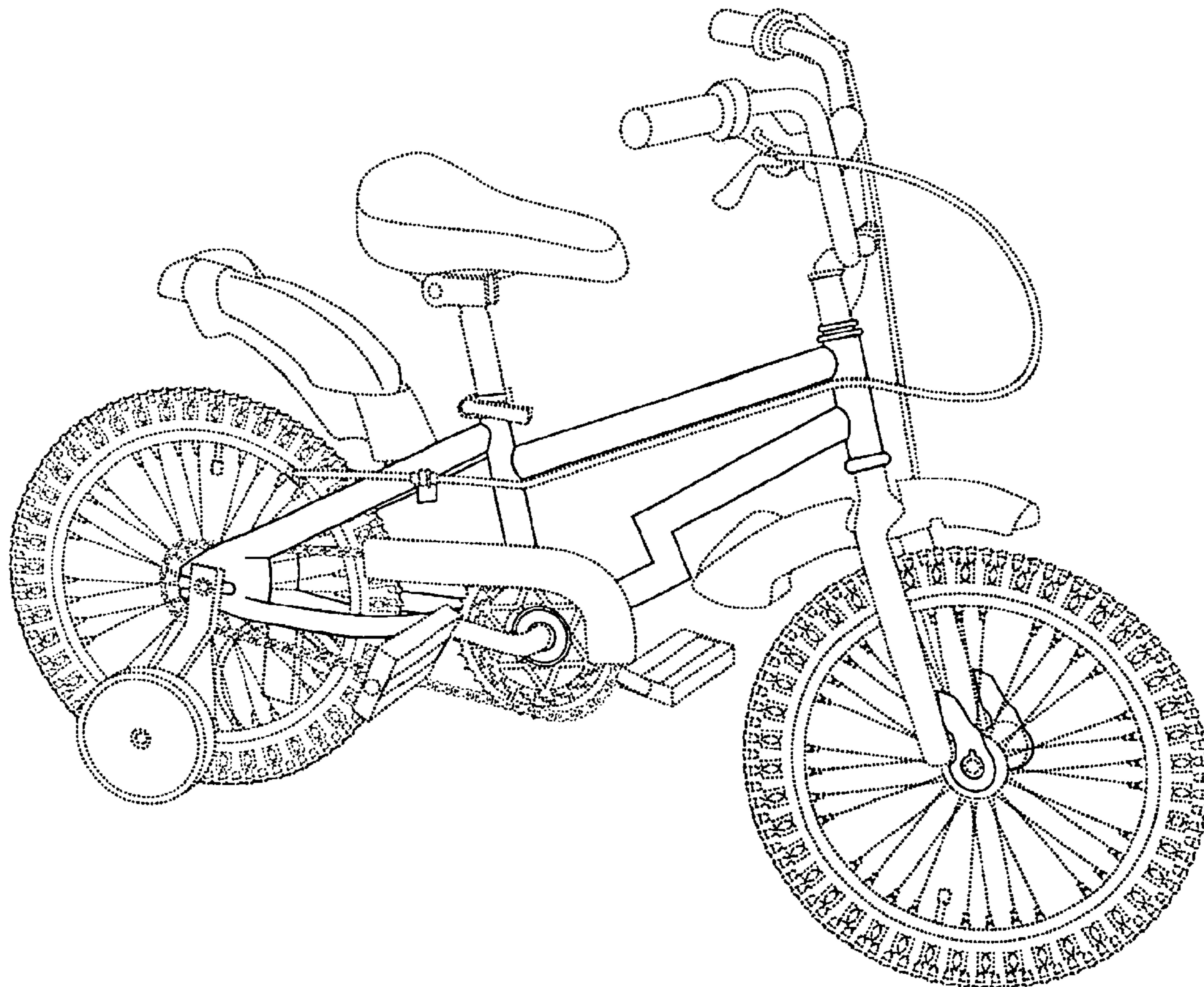
(56) **References Cited**

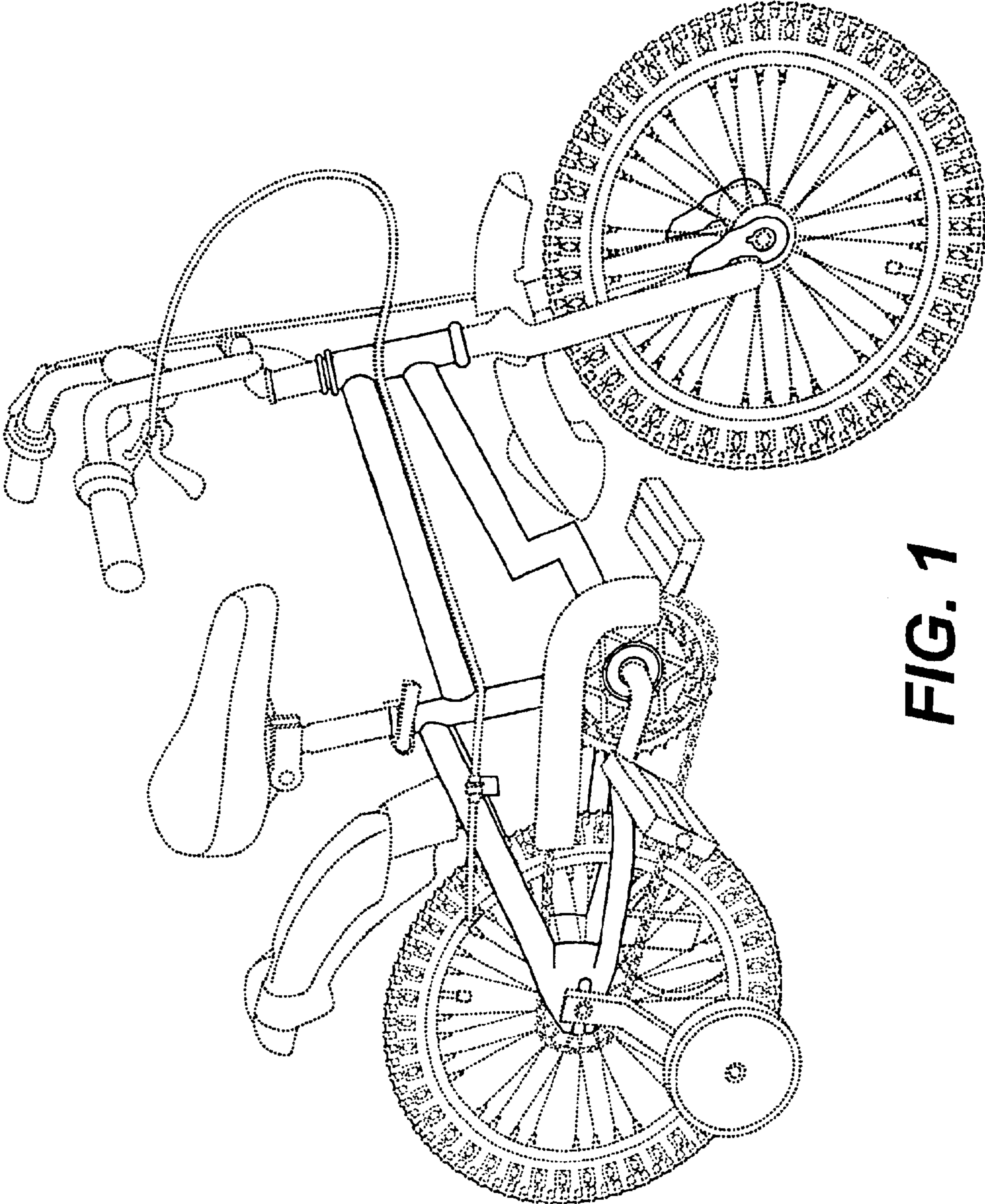
**U.S. PATENT DOCUMENTS**

D400,826 S \* 11/1998 Accerenzi ..... D12/111

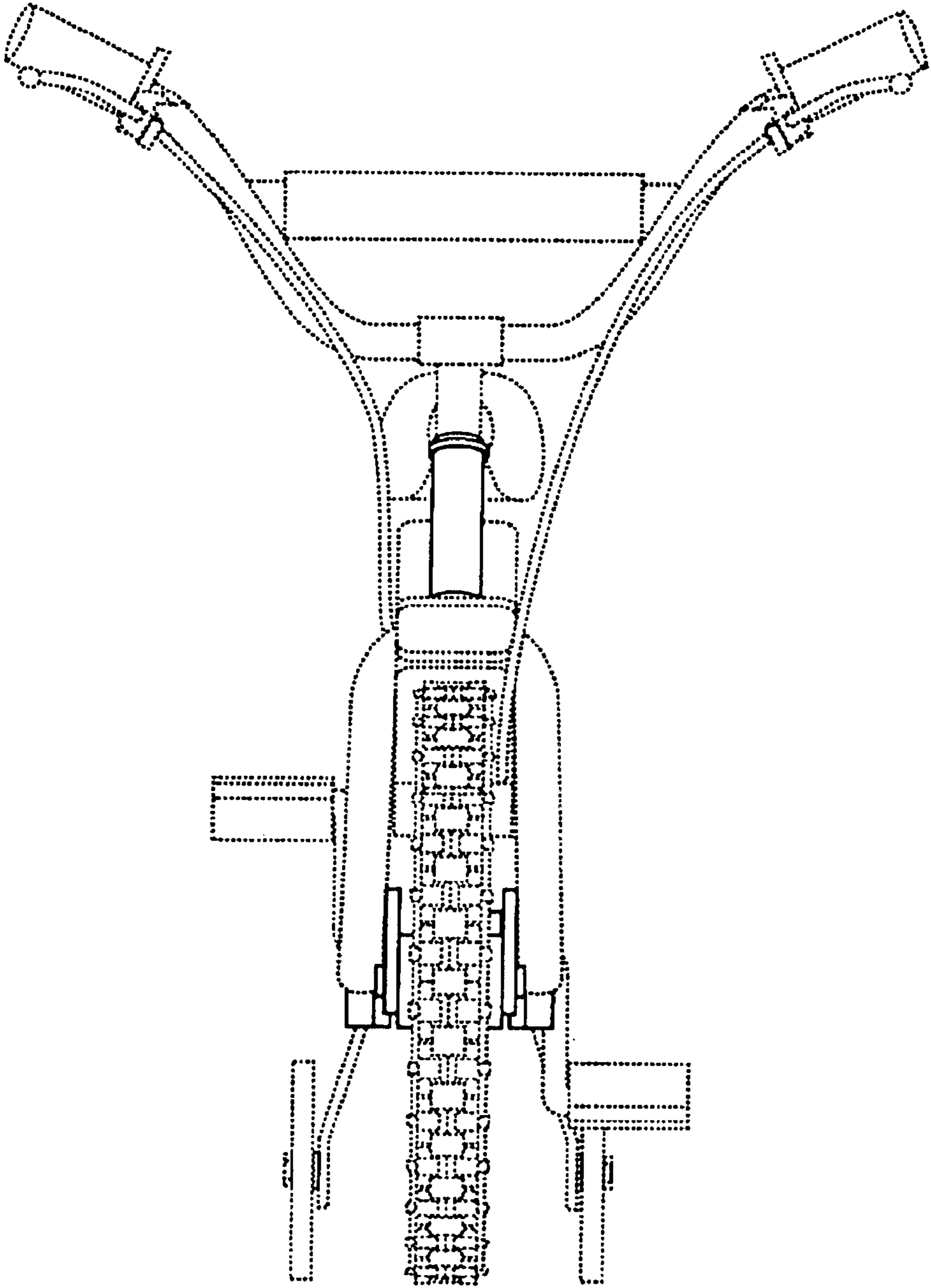
D450,014 S \* 11/2001 Chiappetta et al. .... D12/111

**1 Claim, 7 Drawing Sheets**

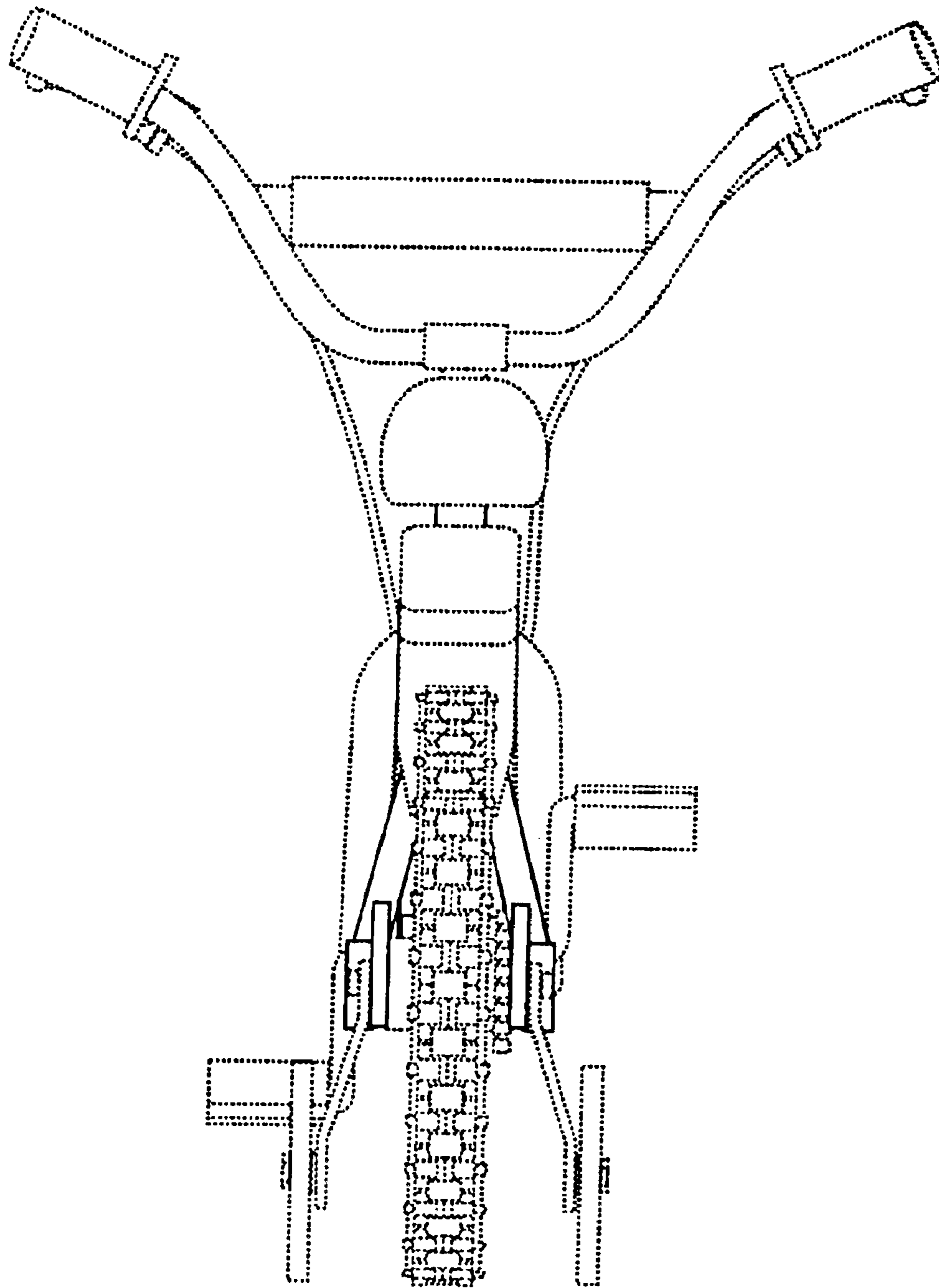




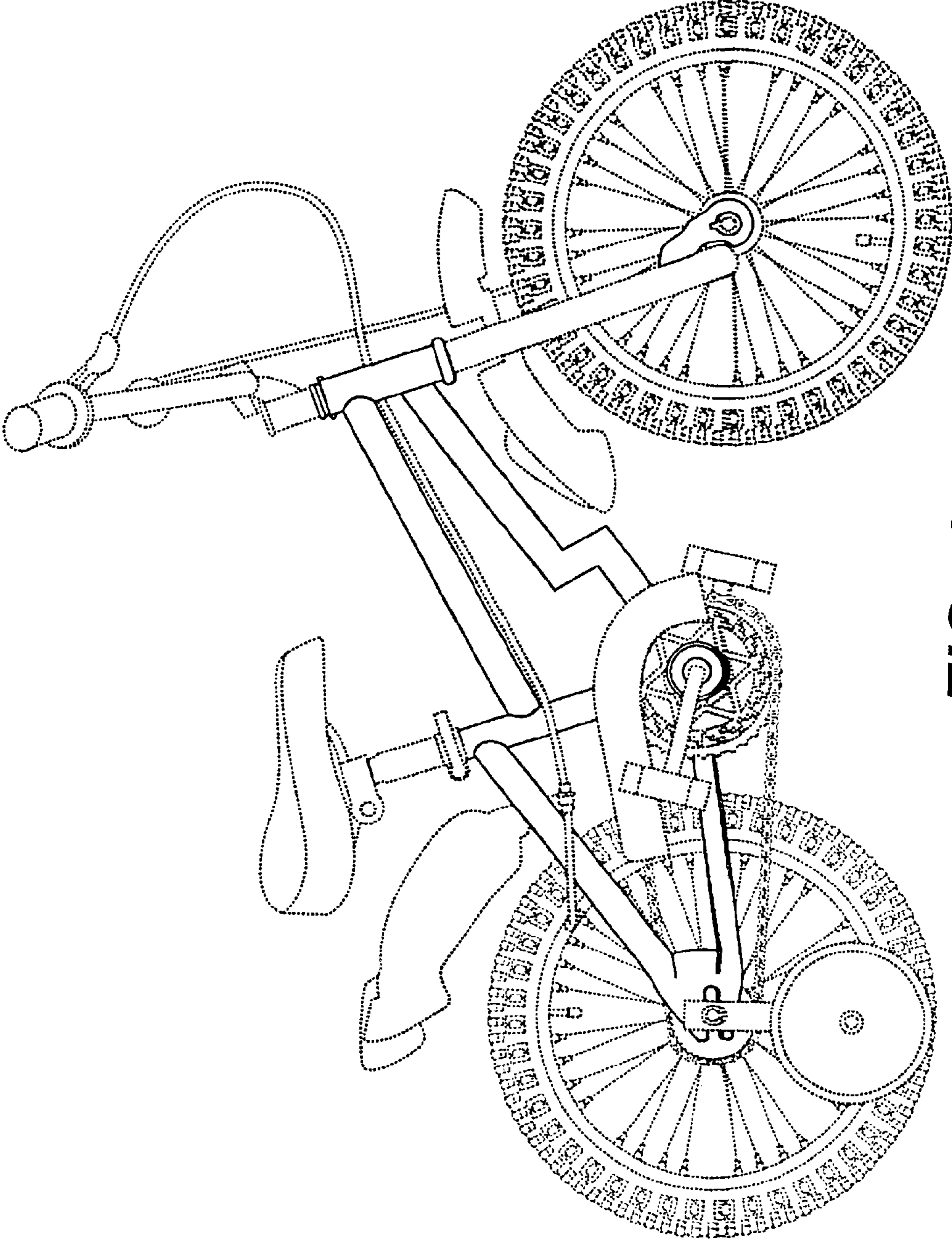
**FIG. 1**



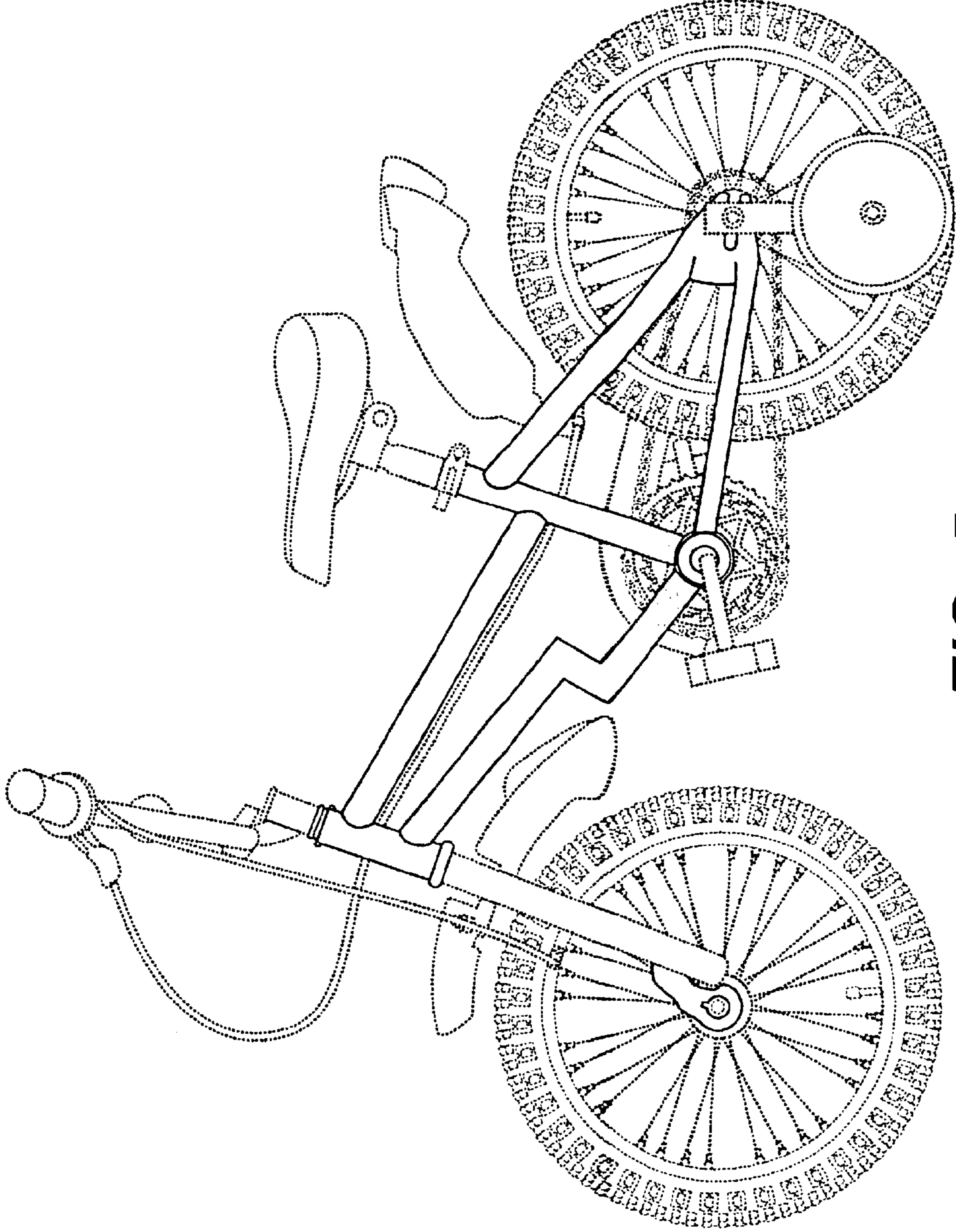
**FIG. 2**



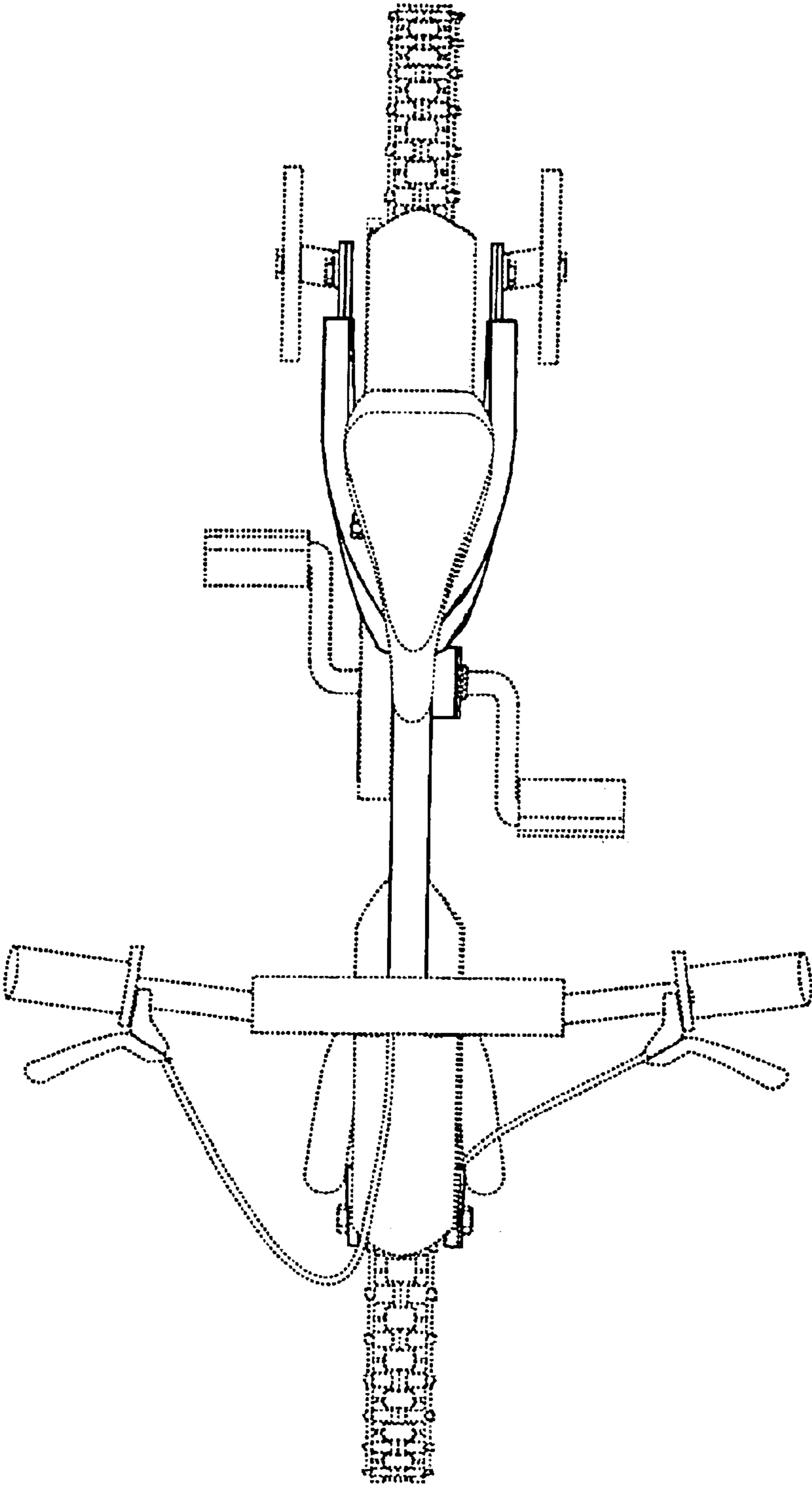
**FIG. 3**



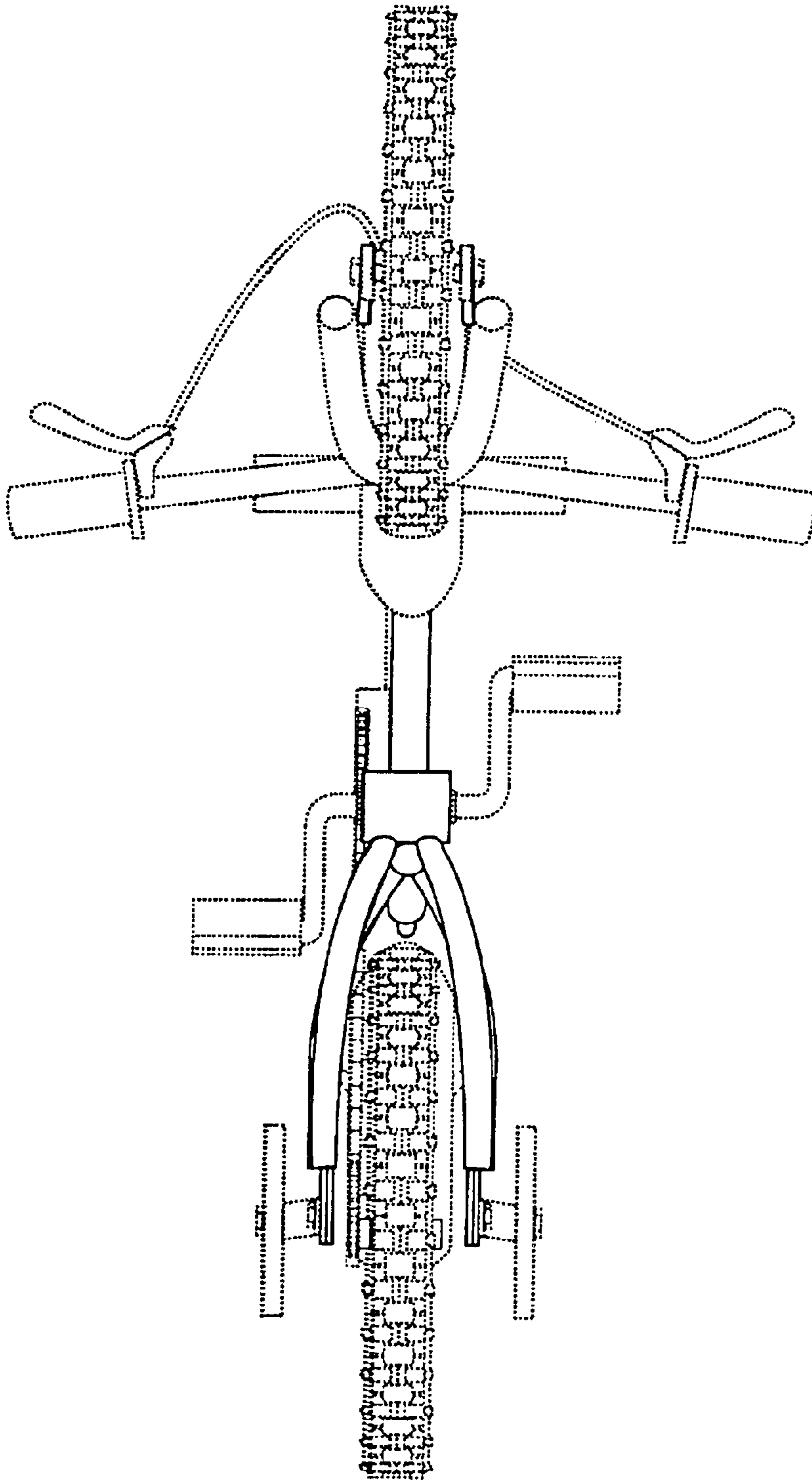
**FIG. 4**



**FIG. 5**



**FIG. 6**



**FIG. 7**