



US00D500707S

(12) **United States Design Patent**
Lu

(10) **Patent No.:** **US D500,707 S**
(45) **Date of Patent:** **** Jan. 11, 2005**

(54) **GO KART**

(75) **Inventor:** **Cathy W. F. Lu, Shanghai (CN)**

(73) **Assignee:** **Dazon Incorporated, Dover, DE (US)**

(**) **Term:** **14 Years**

(21) **Appl. No.:** **29/183,767**

(22) **Filed:** **Jun. 16, 2003**

(51) **LOC (7) Cl. 12-08**

(52) **U.S. Cl. D12/87**

(58) **Field of Search D12/87, 86, 1;
D21/433; 296/185, 186**

(56) **References Cited**

U.S. PATENT DOCUMENTS

- D286,760 S * 11/1986 Ooba et al. D12/87
- D301,849 S * 6/1989 Oba et al. D12/87
- D312,989 S * 12/1990 Murata et al. D12/87
- D332,239 S * 1/1993 Hirata et al. D12/1

- D342,699 S * 12/1993 Miyamoto et al. D12/1
- D433,651 S * 11/2000 Matsumura et al. D12/1
- D467,200 S * 12/2002 Luo et al. D12/87

* cited by examiner

Primary Examiner—Melody N. Brown
(74) *Attorney, Agent, or Firm*—Snell & Wilmer LLP

(57) **CLAIM**

The ornamental design for a go kart, as shown.

DESCRIPTION

FIG. 1 is a perspective view of a go kart showing my new design;

FIG. 2 is a front view of the go kart of FIG. 1;

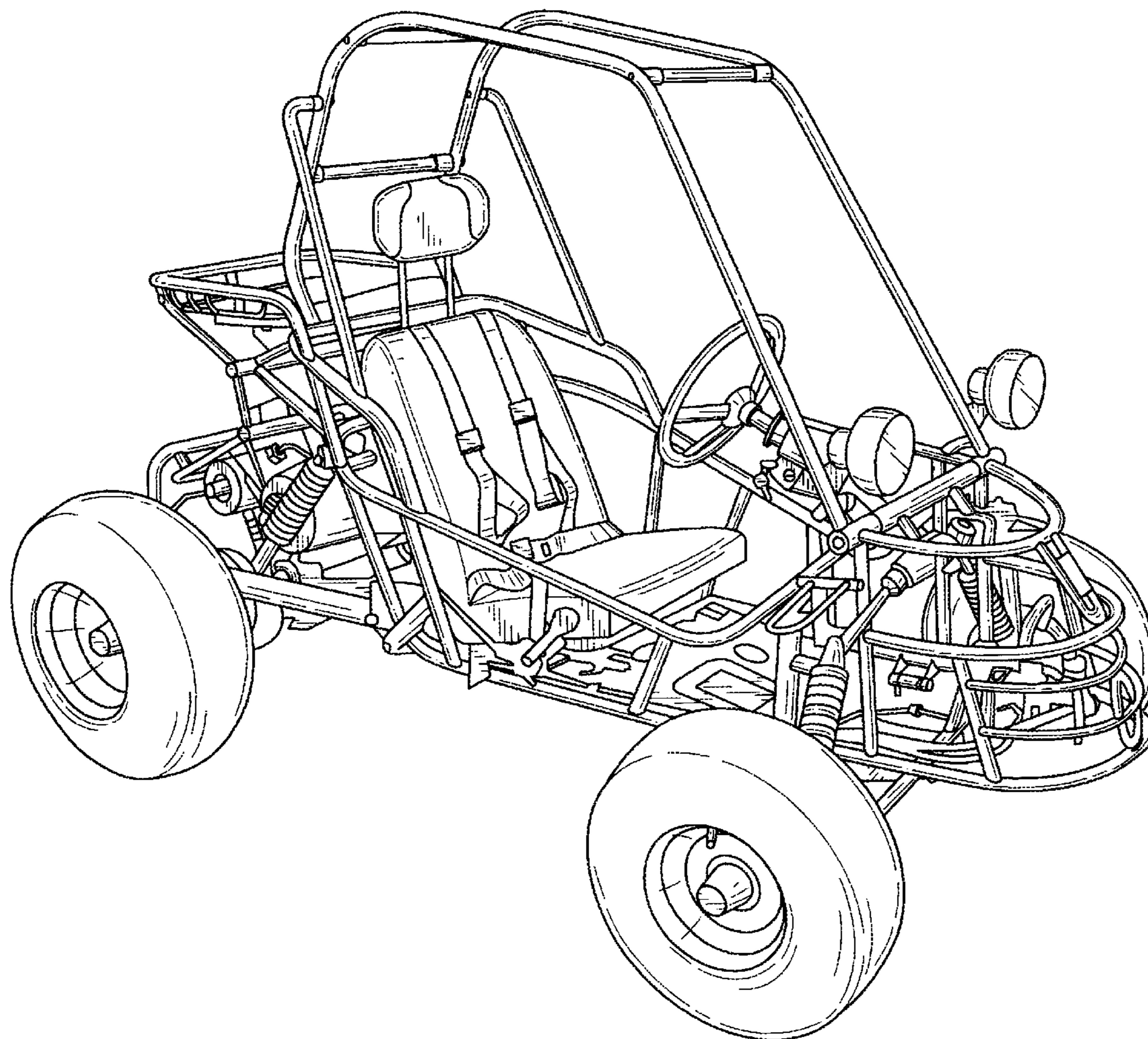
FIG. 3 is a back view of the go kart of FIG. 1;

FIG. 4 is a right side view of the go kart of FIG. 1;

FIG. 5 is a left side view of the go kart of FIG. 1; and,

FIG. 6 is a top view of the go kart of FIG. 1.

1 Claim, 6 Drawing Sheets



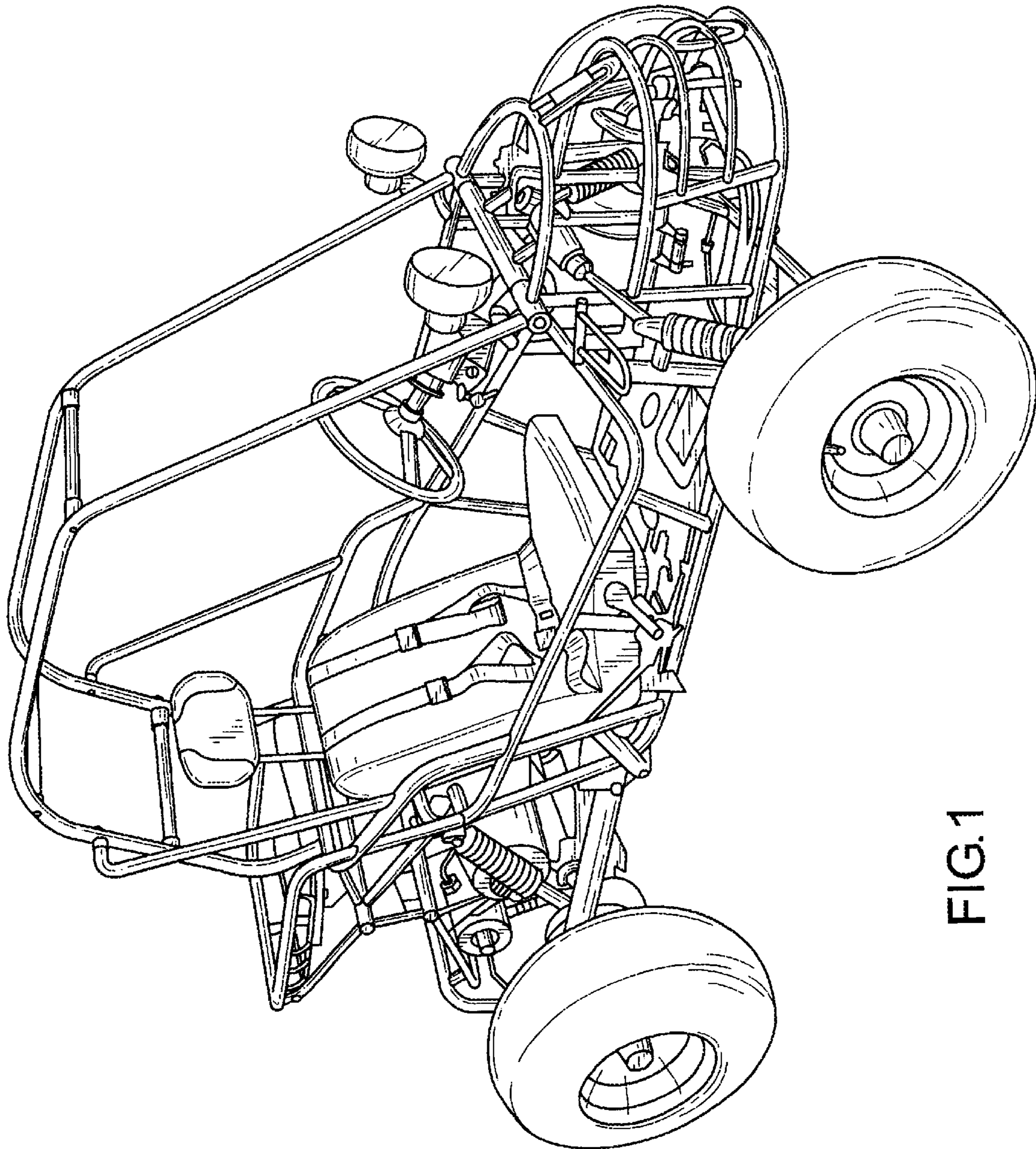


FIG.1

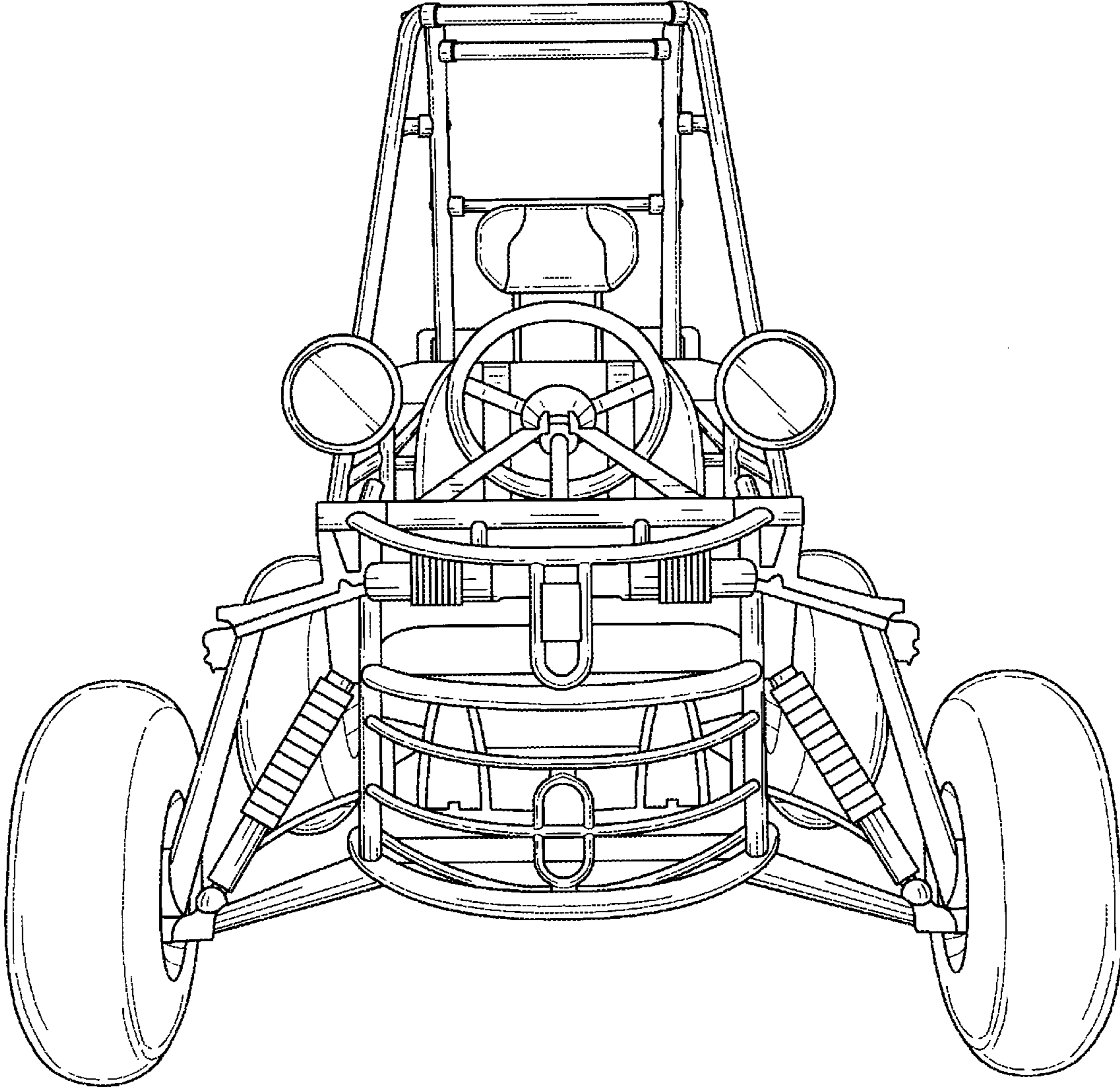


FIG.2

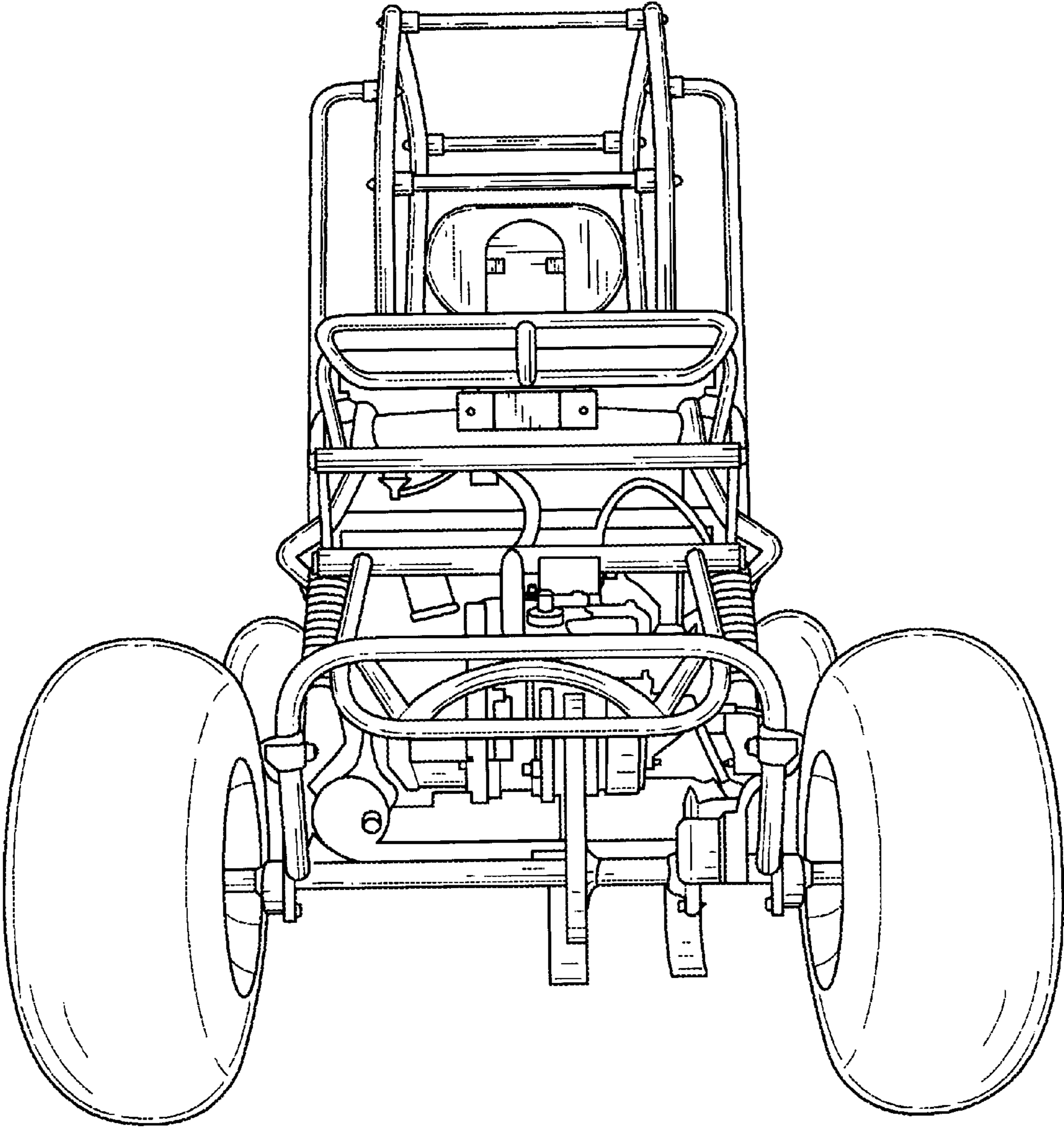


FIG.3

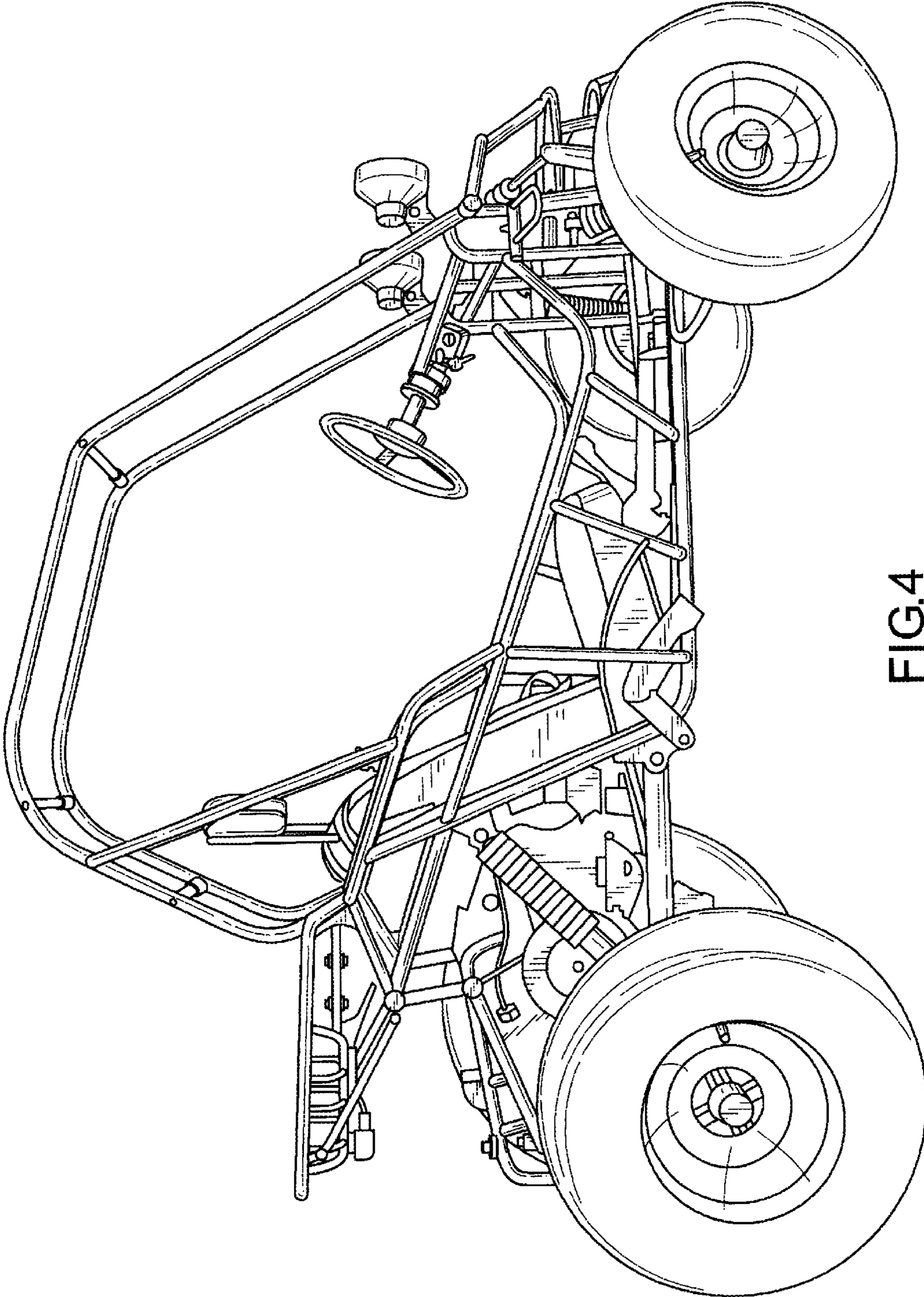


FIG.4

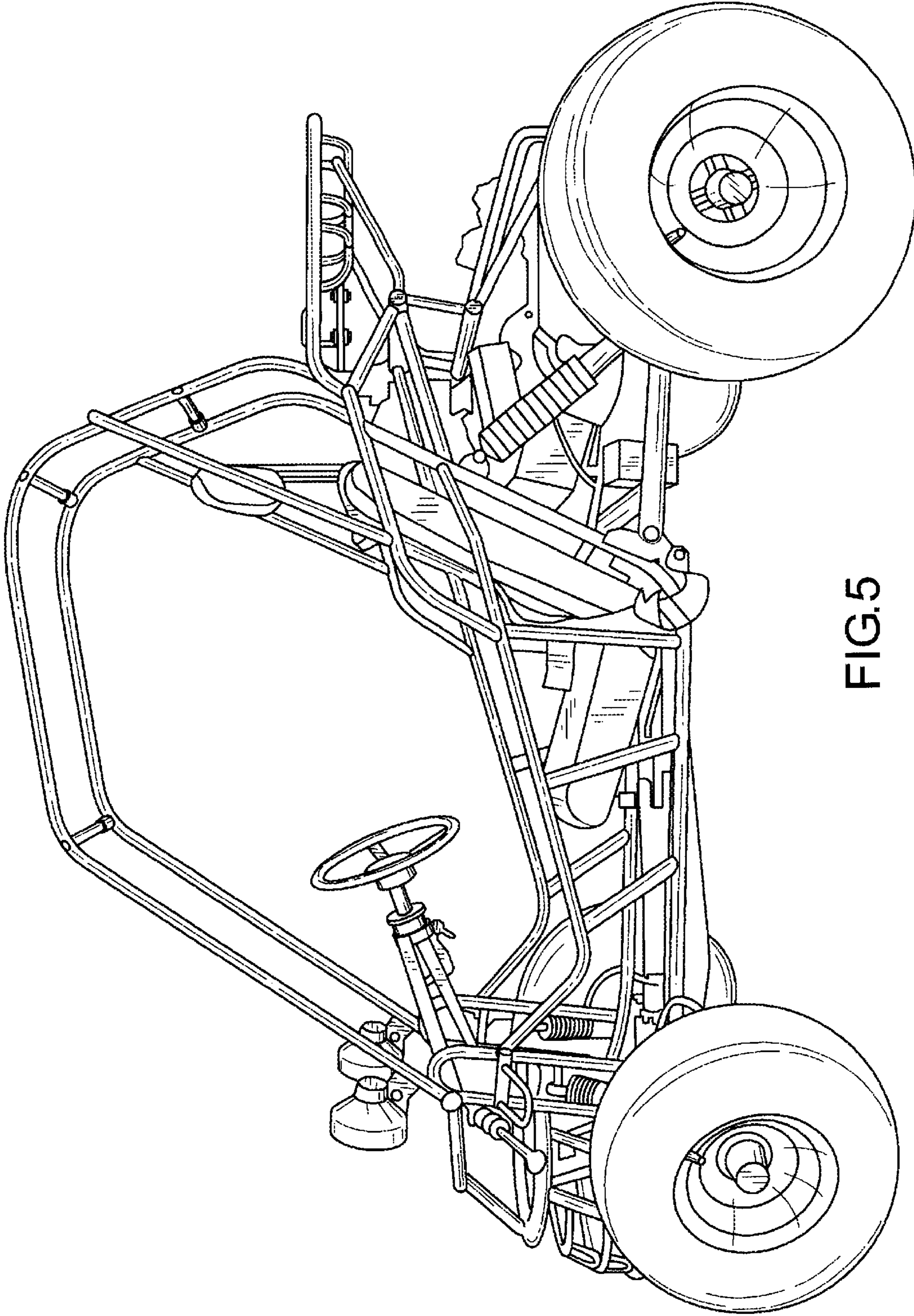


FIG.5

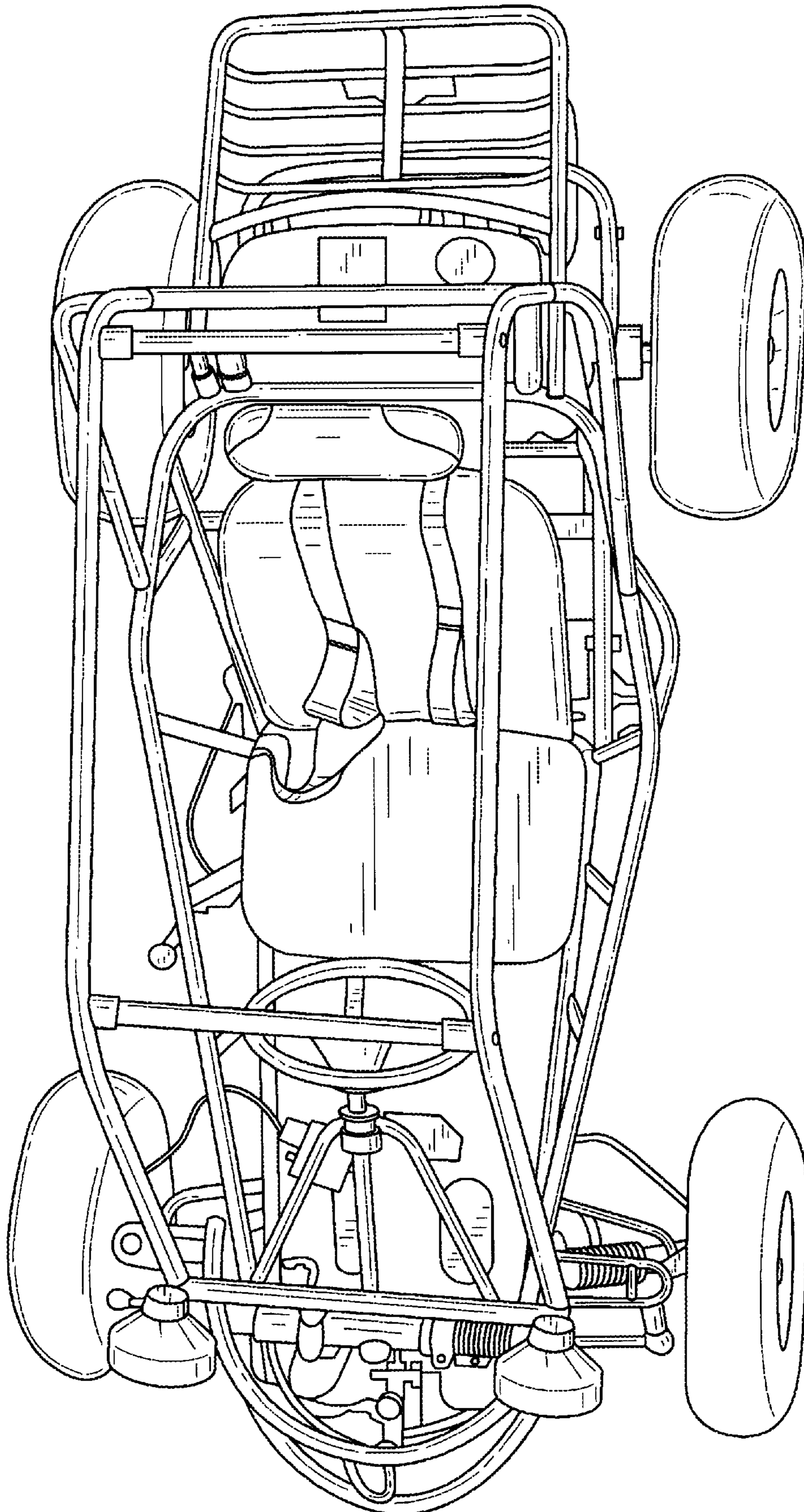


FIG.6