

US00D500706S

(12) **United States Design Patent**
Guney et al.

(10) **Patent No.: US D500,706 S**
(45) **Date of Patent: ** Jan. 11, 2005**

(54) **PORTION OF HEADGEAR CLIP FOR A RESPIRATORY MASK**

(75) Inventors: **Memduh Guney**, Killara (AU); **Amal S Amarasinghe**, West Pennant Hills (AU); **Perry D Lithgow**, Glenwood (AU); **Timothy Tsun-Fai Fu**, Carlingford (AU); **Jim Saada**, Kellyville (AU); **Gary C. Robinson**, East Killara (AU)

(73) Assignee: **ResMed Limited**, North Ryde (AU)

(**) Term: **14 Years**

(21) Appl. No.: **29/196,001**

(22) Filed: **Dec. 22, 2003**

Related U.S. Application Data

(63) Continuation of application No. 29/170,554, filed on Nov. 8, 2002, now Pat. No. Des. 490,343.

(51) **LOC (7) Cl.** **02-07**

(52) **U.S. Cl.** **D11/216; D24/110.1**

(58) **Field of Search** D24/129, 110.1; D11/216; 128/207.11, 206.27; 24/625, 424, 415, 416, 417, 418, 419, 420; 2/421, 422, 424

(56) **References Cited**

U.S. PATENT DOCUMENTS

- 4,712,280 A 12/1987 Fildan
- 5,291,880 A 3/1994 Almovist et al.
- 5,546,642 A 8/1996 Anscher
- 5,657,493 A 8/1997 Ferrero et al.

- D386,124 S 11/1997 Anscher
- 5,987,652 A * 11/1999 Fowler 2/424
- 6,374,826 B1 4/2002 Gunaratnam et al.
- 6,446,314 B1 9/2002 Anscher
- 6,474,337 B1 11/2002 Acker et al.
- D471,131 S 3/2003 Kawamura
- D471,486 S * 3/2003 Uehara et al. D11/216
- D473,487 S * 4/2003 Kaneko D11/216
- 2002/0096176 A1 7/2002 Gunaratnam
- 2003/0075180 A1 * 4/2003 Raje et al. 128/206.24

* cited by examiner

Primary Examiner—Ian Simmons

(74) *Attorney, Agent, or Firm*—Nixon & Vanderhye P.C.

(57) **CLAIM**

The ornamental design of a portion of headgear clip for a respiratory mask, as shown and described.

DESCRIPTION

FIG. 1 is a perspective illustration of a first embodiment of a portion of a headgear clip for respiratory mask according to our design;

FIG. 2 is a front view thereof;

FIG. 3 is a rear view thereof;

FIG. 4 is a right side view thereof;

FIG. 5 is a left side view thereof;

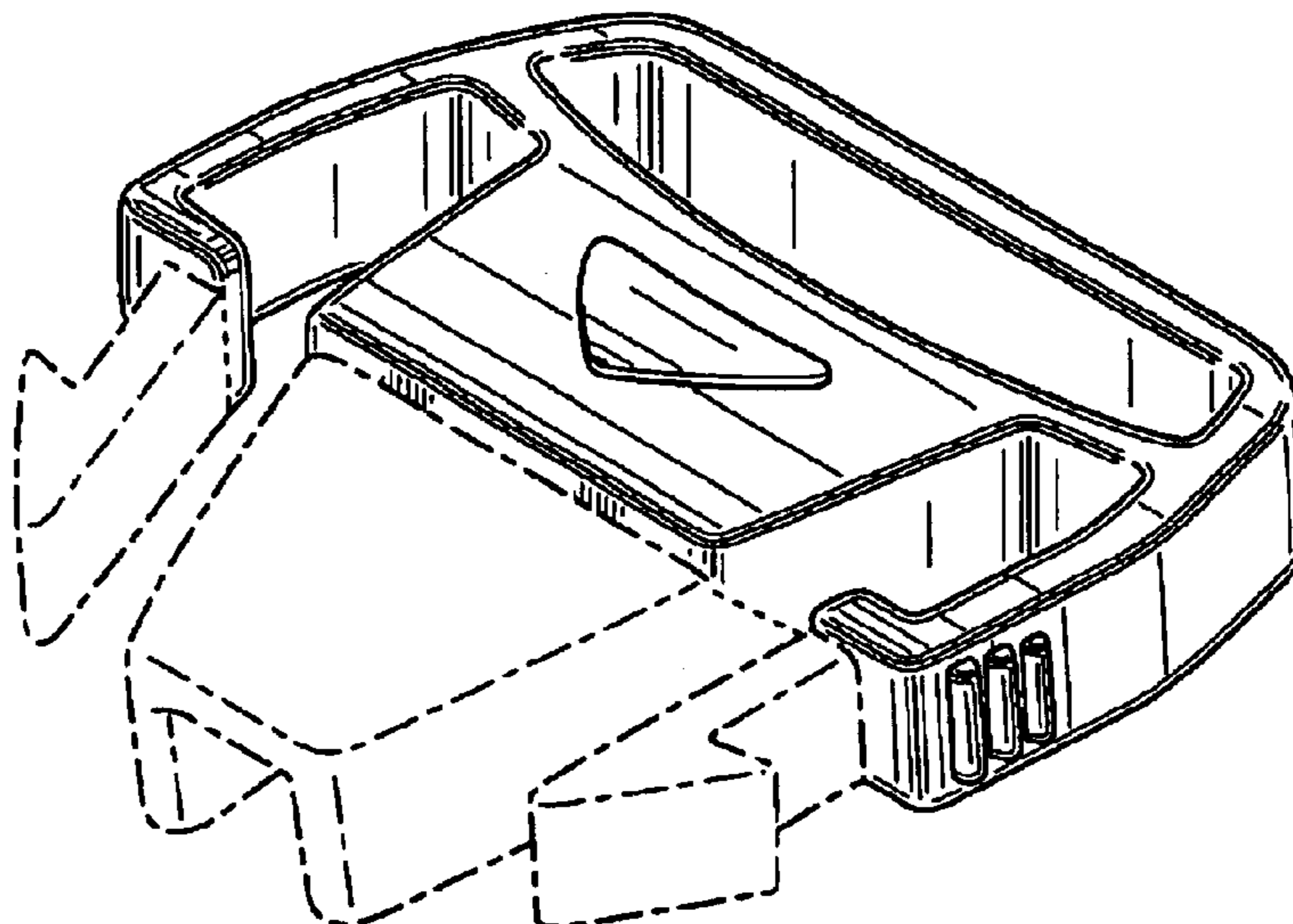
FIG. 6 is a top view thereof;

FIG. 7 is a bottom view thereof; and,

FIG. 8 is a perspective view of the headgear clip in position on a respiratory mask.

Where included, broken lines showing environment or structure are for illustrative purposes only and form no part of the claimed design.

1 Claim, 5 Drawing Sheets



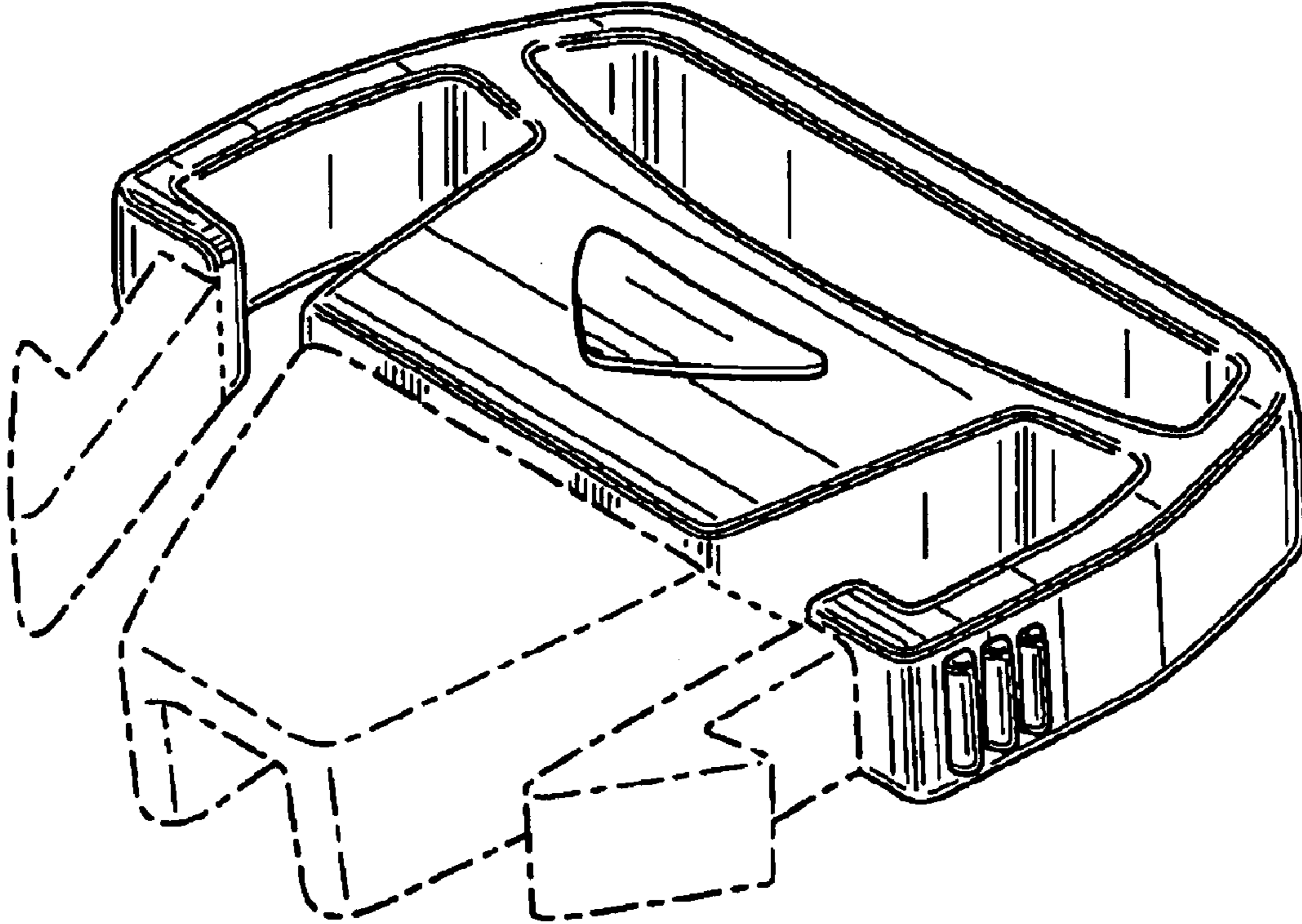


FIG. 1

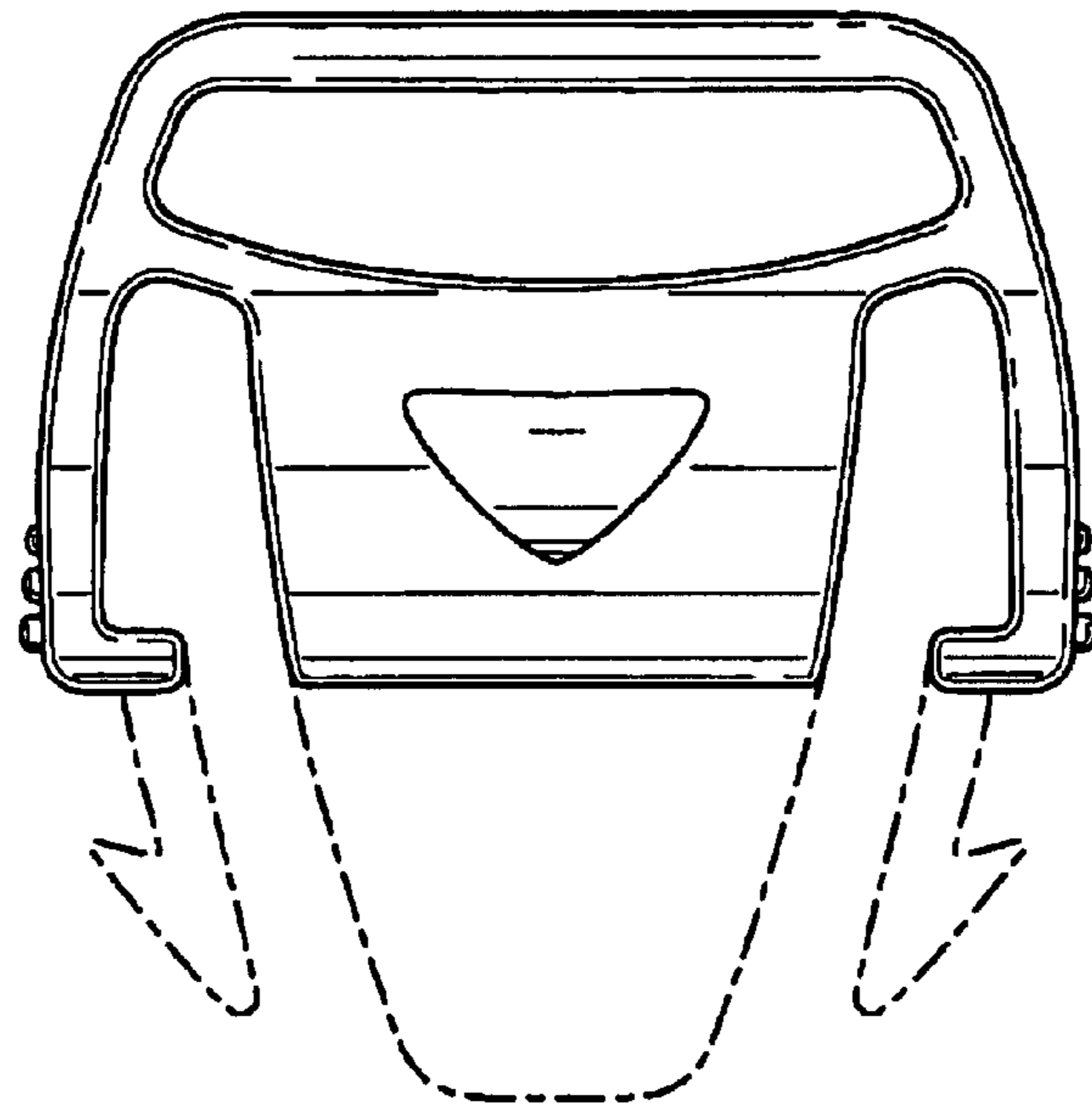


FIG. 2

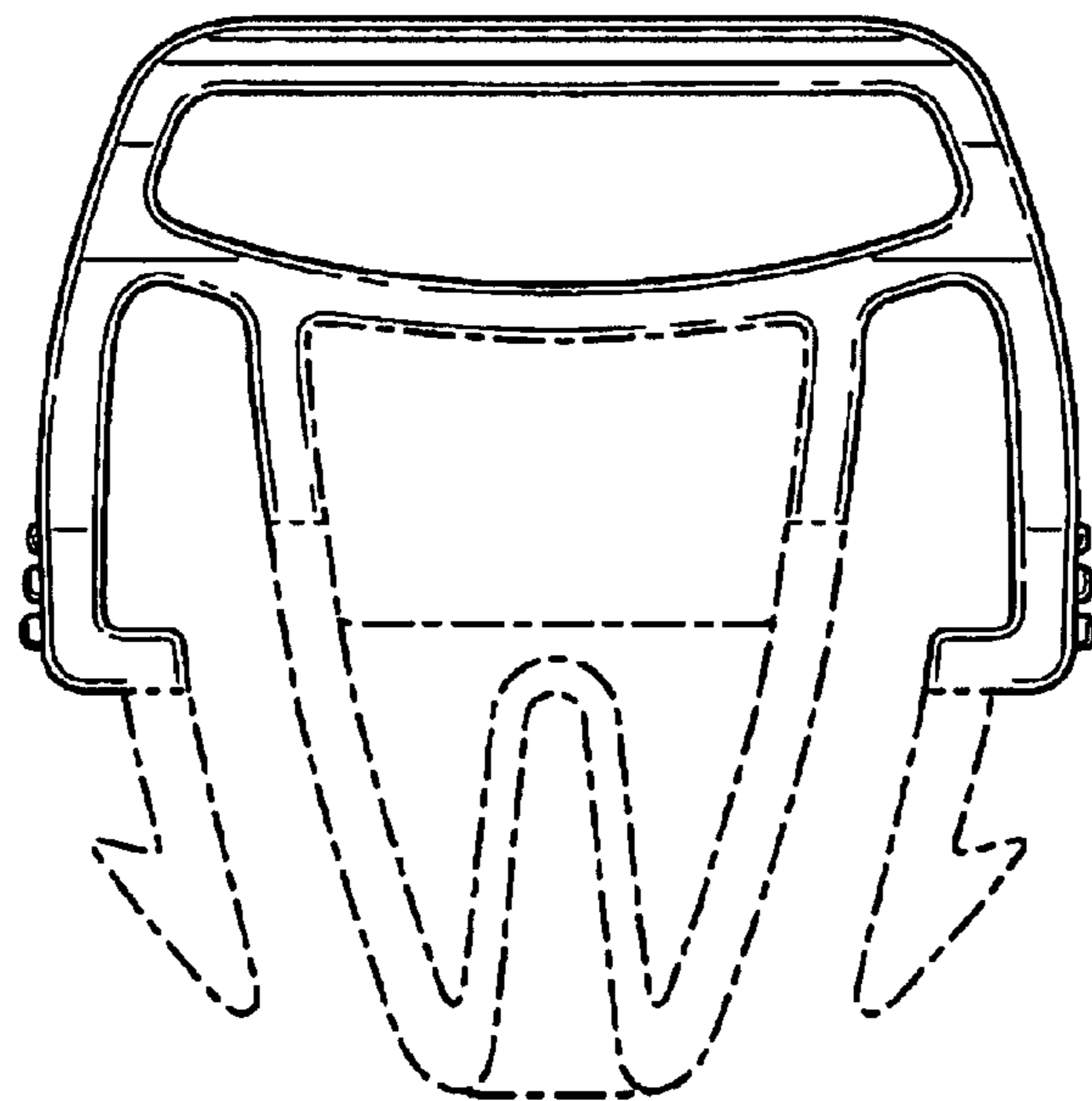


FIG. 3

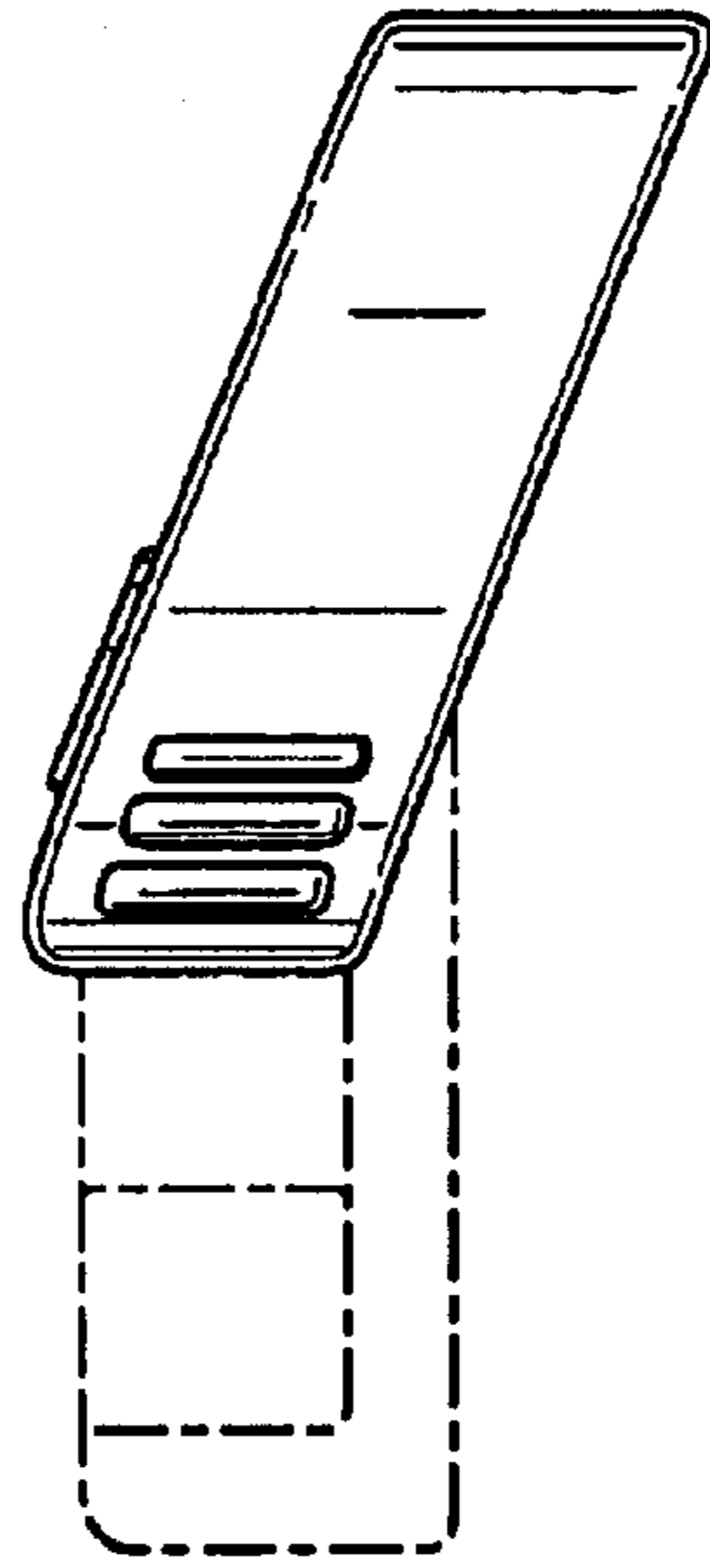


FIG. 4

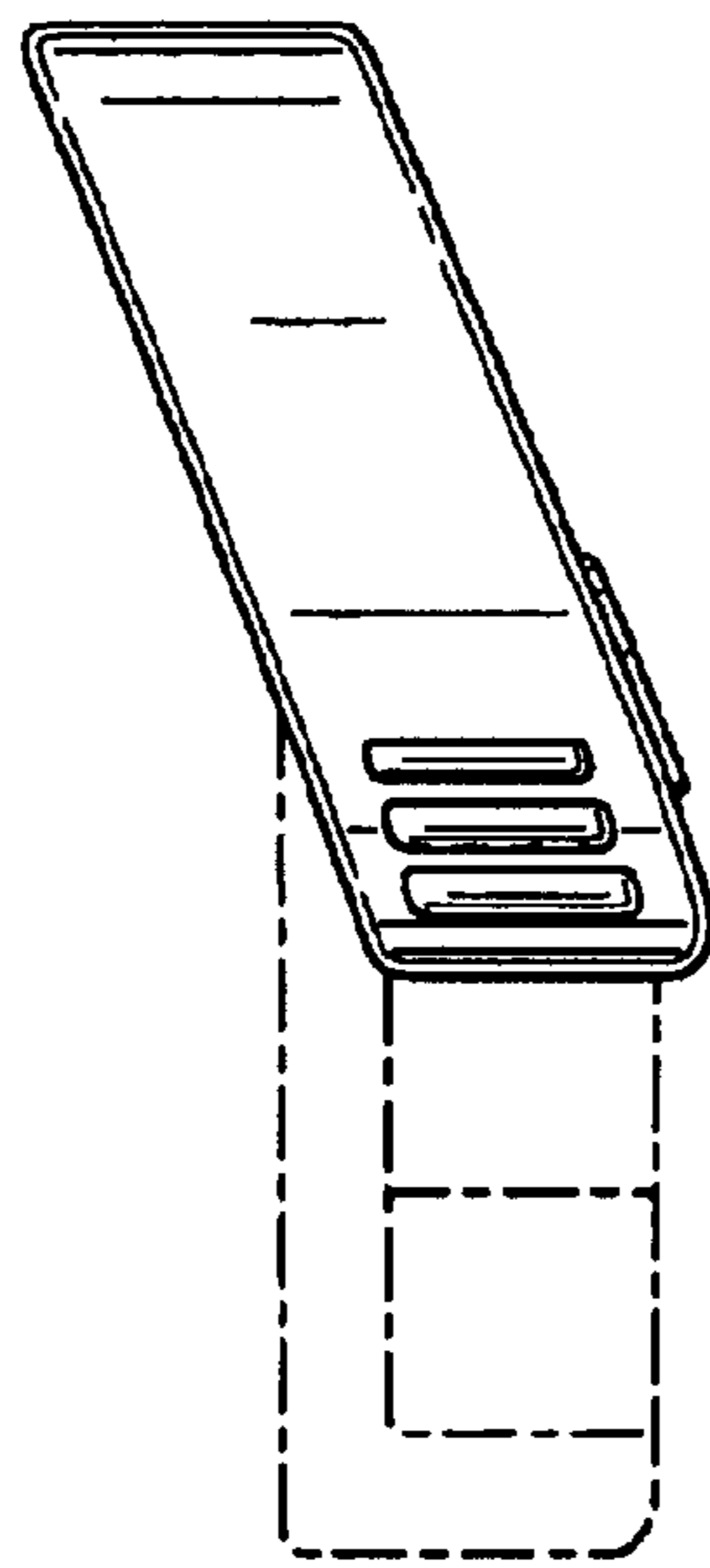


FIG. 5

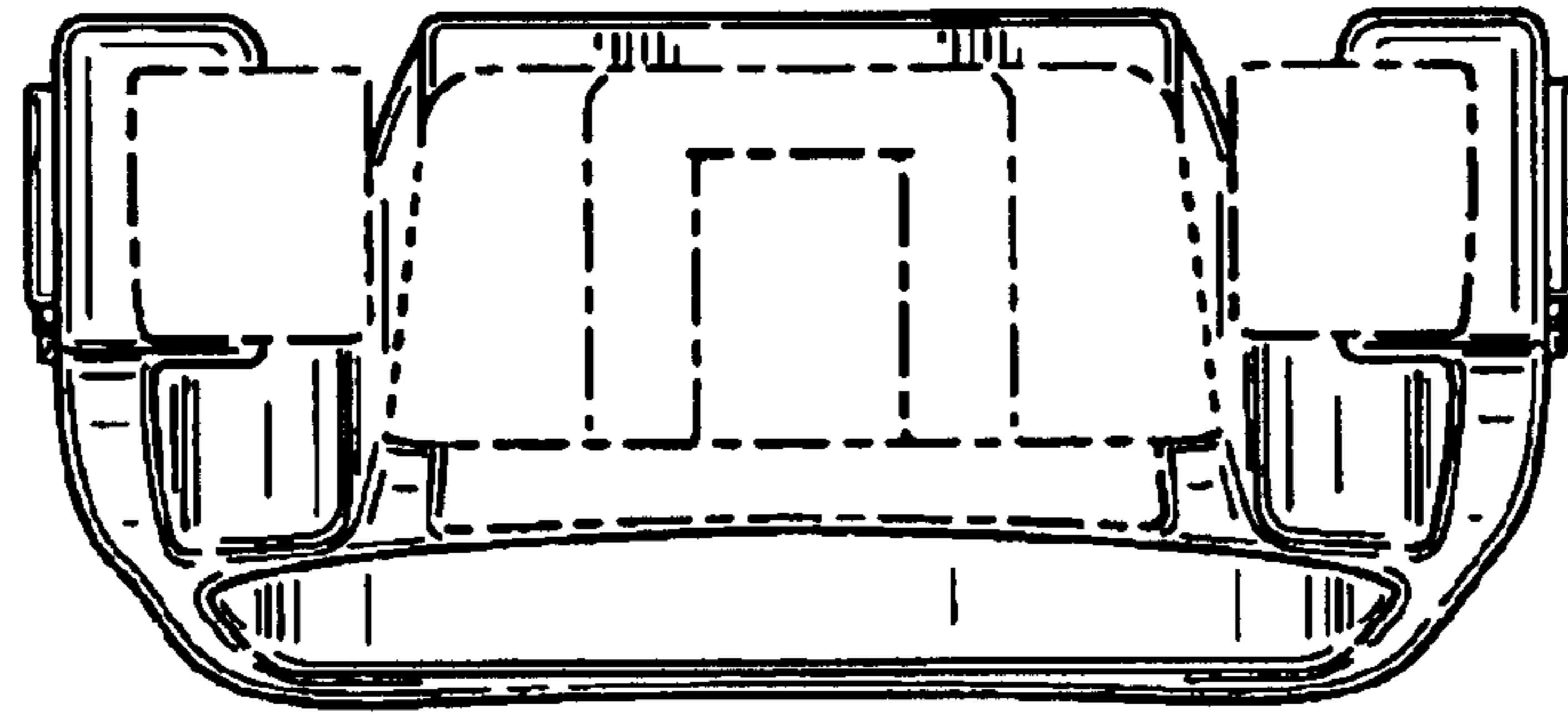


FIG. 6

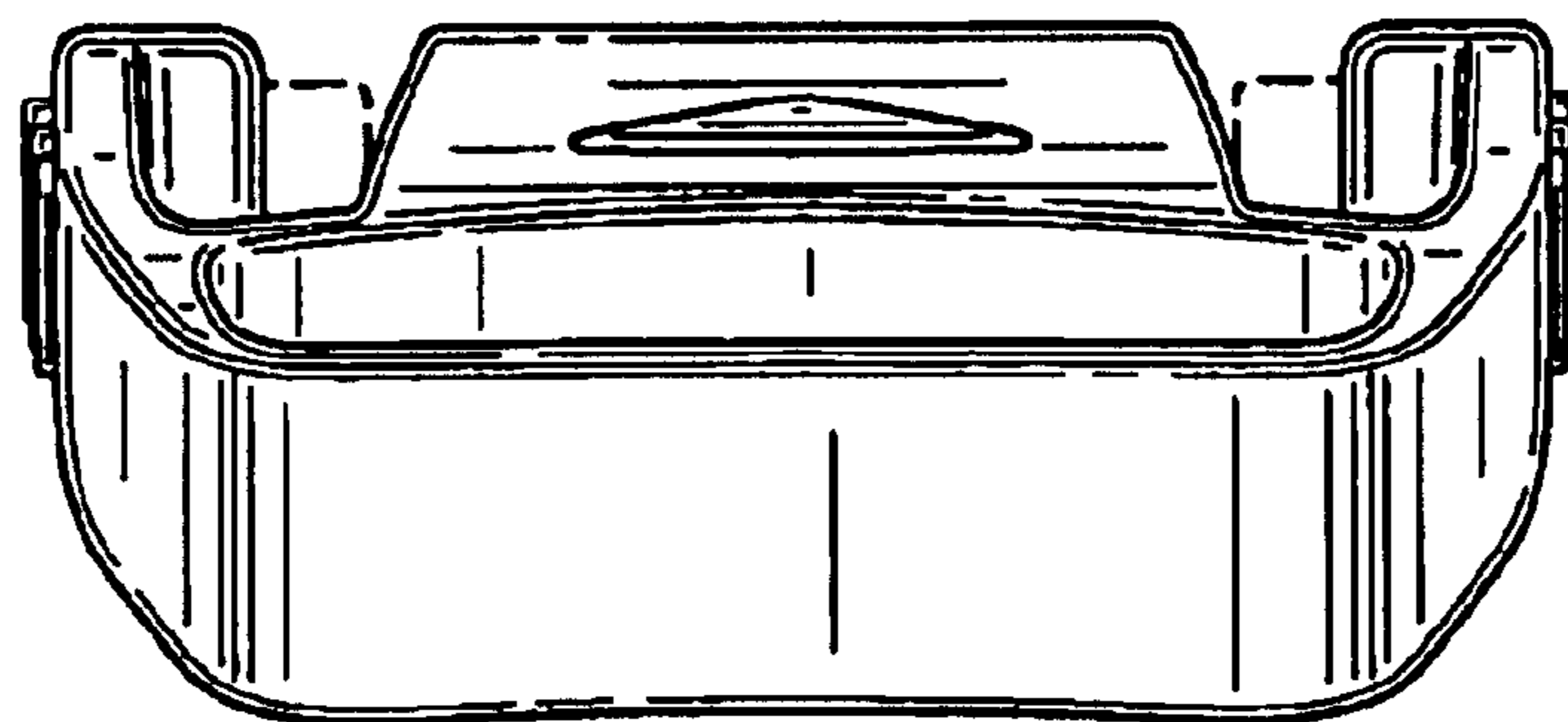


FIG. 7

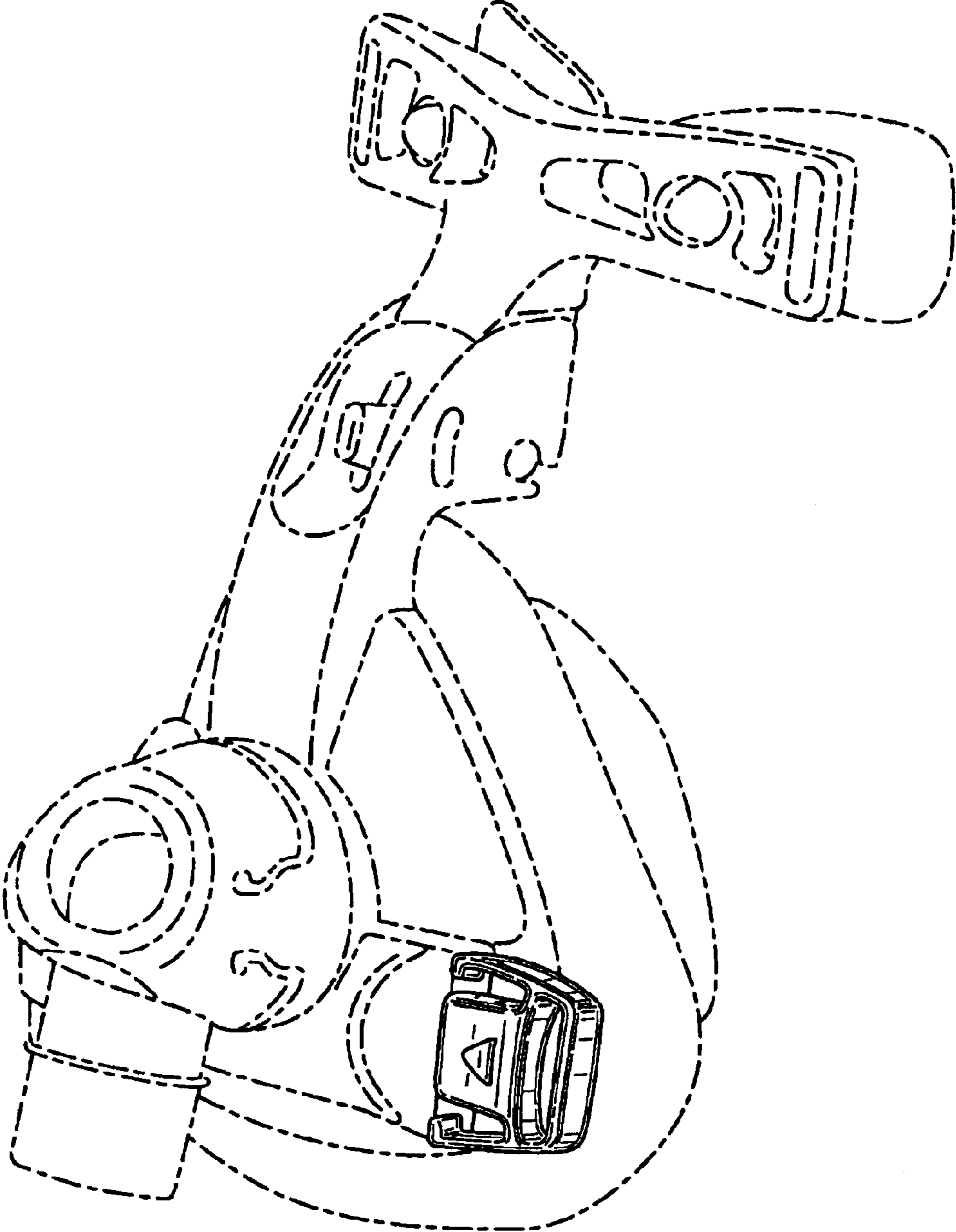


FIG. 8

UNITED STATES PATENT AND TRADEMARK OFFICE
CERTIFICATE OF CORRECTION

PATENT NO. : Des. 500,706 S
DATED : January 11, 2005
INVENTOR(S) : Guney et al.

Page 1 of 1

It is certified that error appears in the above-identified patent and that said Letters Patent is hereby corrected as shown below:

Title page,

Item [63], **Related U.S. Application Data**, should read

-- [63] Division of application No. 29/170,554, filed on Nov. 8,
2002, now Pat. No. Des. 490,343. --

Signed and Sealed this

Fifth Day of April, 2005

A handwritten signature in black ink on a light gray dotted background. The signature reads "Jon W. Dudas" in a cursive style.

JON W. DUDAS

Director of the United States Patent and Trademark Office