

US00D500705S

(12) **United States Design Patent**  
**Huang**

(10) **Patent No.:** **US D500,705 S**  
(45) **Date of Patent:** **\*\* Jan. 11, 2005**

(54) **ELEMENT OF A DECORATIVE OBJECT**

(76) **Inventor:** **Yi-Hsiang Huang**, 3F, No. 72, Sec. 1,  
Chengkung Rd., Nankang Dist., Taipei  
(TW)

(\*\*) **Term:** **14 Years**

(21) **Appl. No.:** **29/187,155**

(22) **Filed:** **Jul. 29, 2003**

(51) **LOC (7) Cl.** ..... **11-02**

(52) **U.S. Cl.** ..... **D11/164; D11/131; D19/32;**  
**D6/300**

(58) **Field of Search** ..... D11/43, 45, 49,  
D11/79, 131, 132, 140; D6/300, 314; D9/560,  
418; D19/95, 96, 26-33; D16/100, 101,  
130, 134, 135-137; D21/499; D25/4, 52,  
53, 58-60, 102-104, 106-111, 138-140,  
143, 144, 149, 157, 158, 160, 199; D26/1,  
2, 4, 51, 56, 57, 104, 110, 128, 130; 428/7,  
13, 14, 67, 542.2, 542.4, 913.3; 40/627,  
661, 661.02, 406, 427, 439, 477, 541, 564,  
577, 605, 737, 743, 713, 714, 722, 798;  
52/168, 171.3, 204.59, 311.1, 311.2, 306-308,  
309.1, 309.15, 315; 362/562, 565, 576,  
101, 147, 151, 209, 237, 238, 311, 318,  
806; 281/15.1, 29, 34, 36, 37, 51

(56) **References Cited**

**U.S. PATENT DOCUMENTS**

2,215,048	A	*	9/1940	William	.....	52/306
2,224,488	A	*	12/1940	Mcgregor et al.	.....	428/44
D253,584	S	*	12/1979	Dorsen	.....	D11/131
4,277,139	A	*	7/1981	Cox	.....	359/833
D298,221	S	*	10/1988	Popke	.....	D11/132
4,861,678	A	*	8/1989	Kassabian	.....	428/542.4

5,037,105	A	*	8/1991	Klein	.....	273/237
5,347,253	A	*	9/1994	Ogikubo	.....	335/302
6,213,669	B1	*	4/2001	Yamamoto	.....	402/73
6,309,715	B1	*	10/2001	Lindauer et al.	.....	428/13
6,312,782	B1	*	11/2001	Goldberg et al.	.....	428/67
D452,524	S	*	12/2001	Fernandes et al.	.....	D19/26
6,478,336	B2	*	11/2002	Tran	.....	281/29
6,484,425	B1	*	11/2002	Hirsch	.....	40/406
6,644,833	B1	*	11/2003	Fu	.....	362/253

\* cited by examiner

*Primary Examiner*—Philip S. Hyder

*Assistant Examiner*—C. Tuttle

(74) *Attorney, Agent, or Firm*—William E. Pelton, Esq.

(57) **CLAIM**

The ornamental design for an element of a decorative object,  
as shown and described.

**DESCRIPTION**

FIG. 1 is a perspective view of an element of a decorative  
object, showing my new design;

FIG. 2 is a front elevational view thereof;

FIG. 3 is a rear elevational view thereof;

FIG. 4 is a left elevational view thereof;

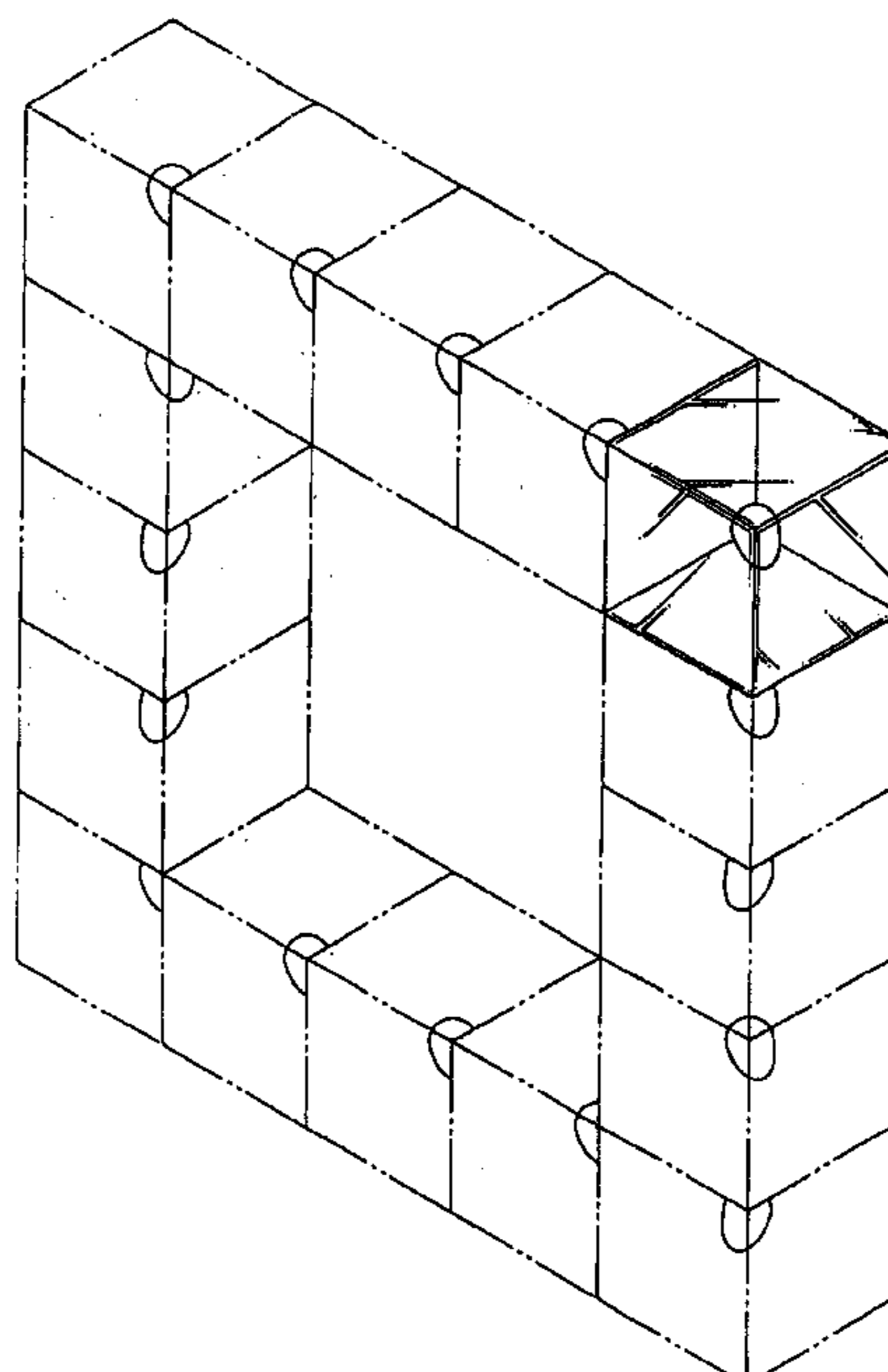
FIG. 5 is a right elevational view thereof;

FIG. 6 is top plan view thereof;

FIG. 7 is a perspective view thereof showing that an album  
frame is made by the element of my design, the elements  
shown in broken lines are for illustrative purpose only and  
form no part of the claimed design; and,

FIG. 8 is a perspective view thereof showing that a different  
album frame is made by the element of my design, the  
elements show in broken lines are for illustrative purpose  
only and form no part of the claimed design.

**1 Claim, 6 Drawing Sheets**



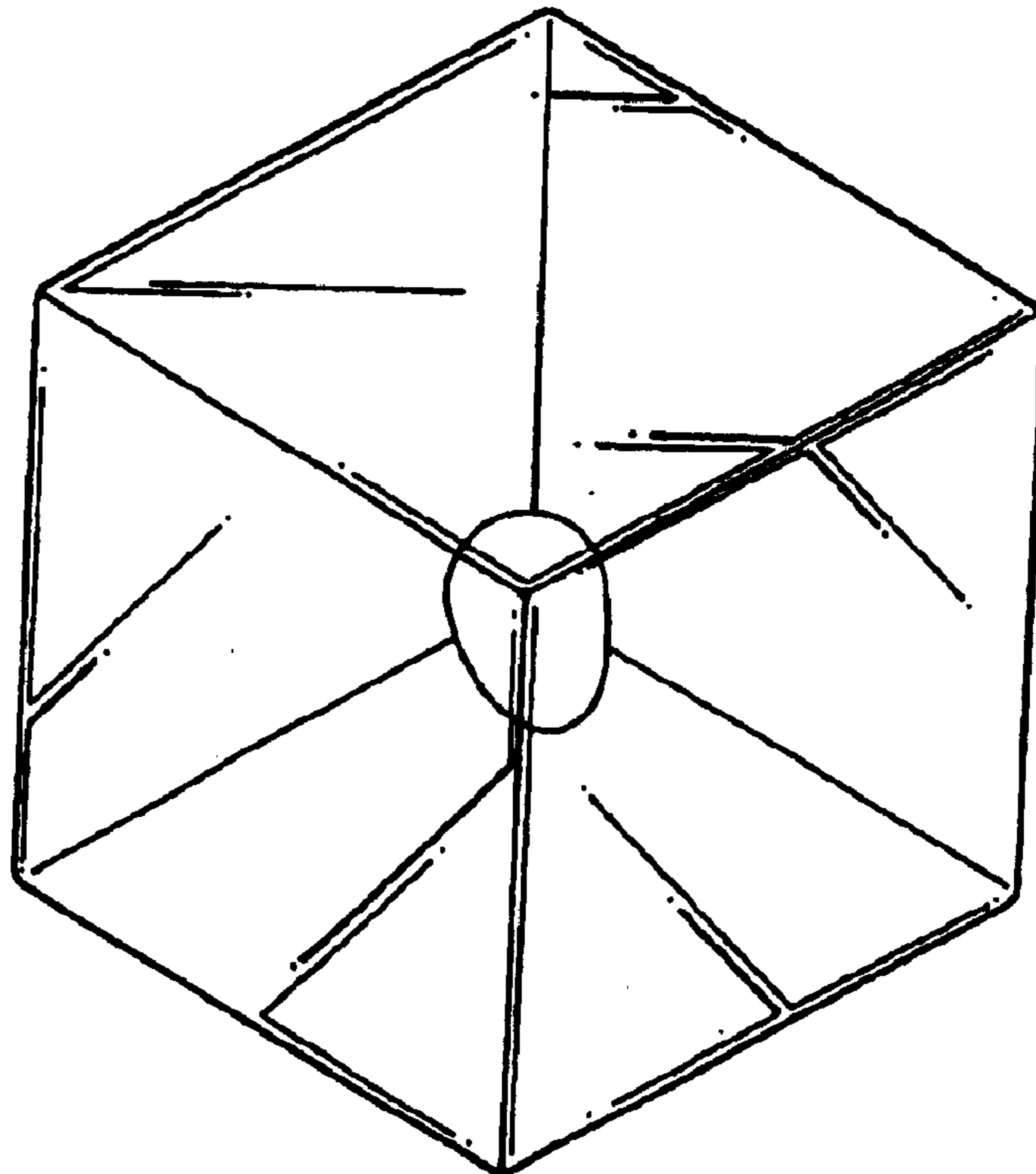


FIG. 1

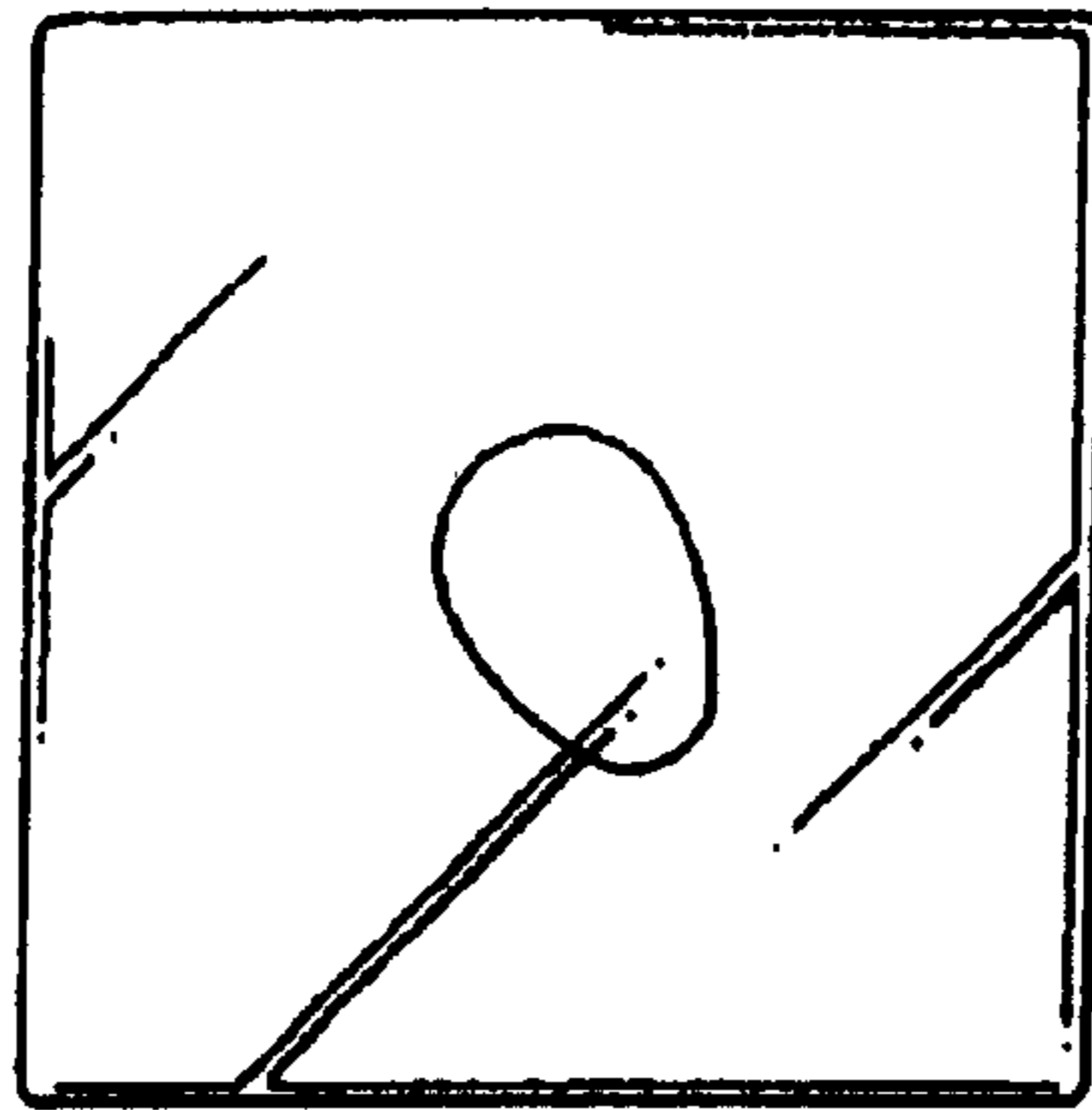


FIG. 2

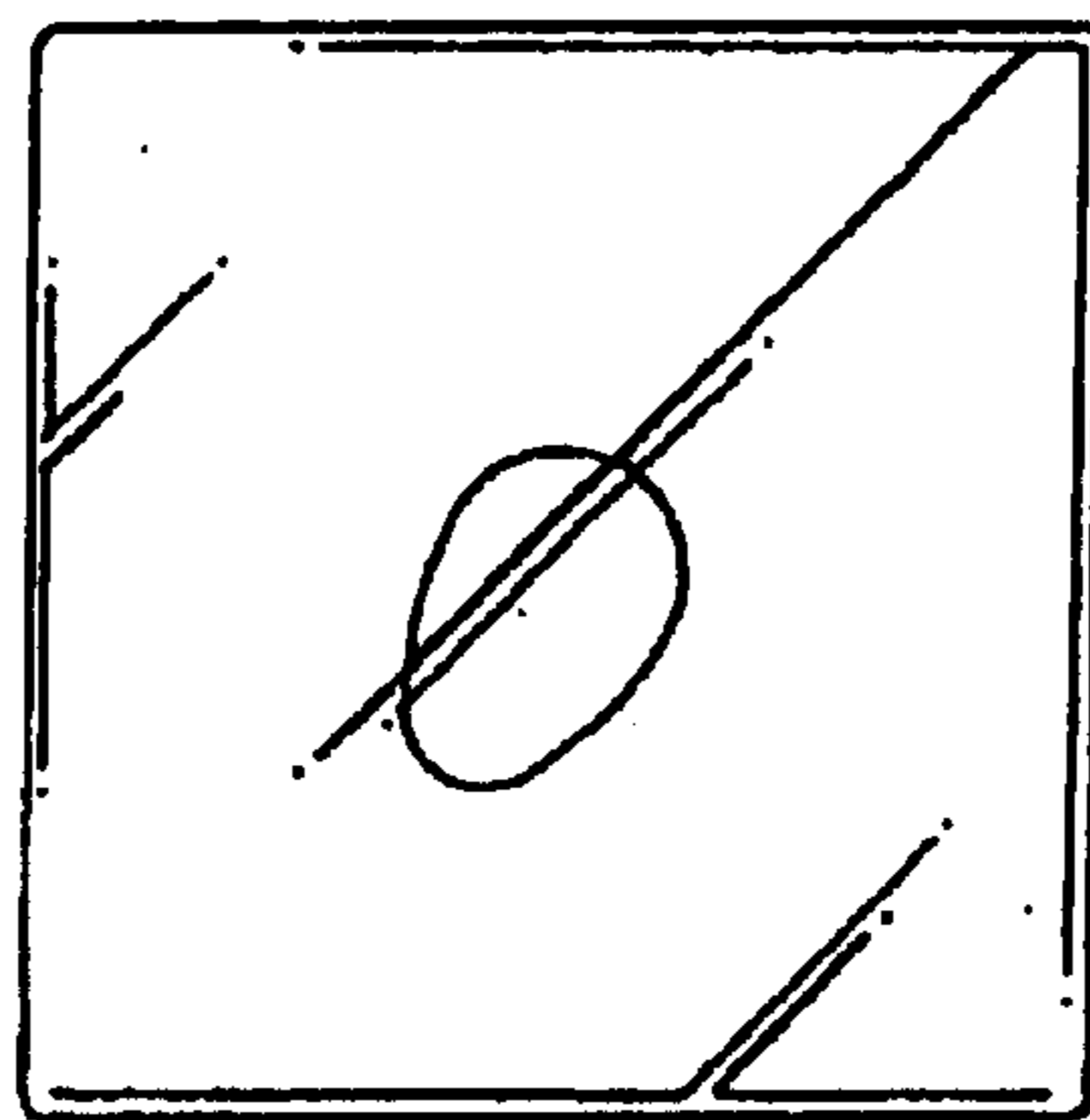


FIG. 3

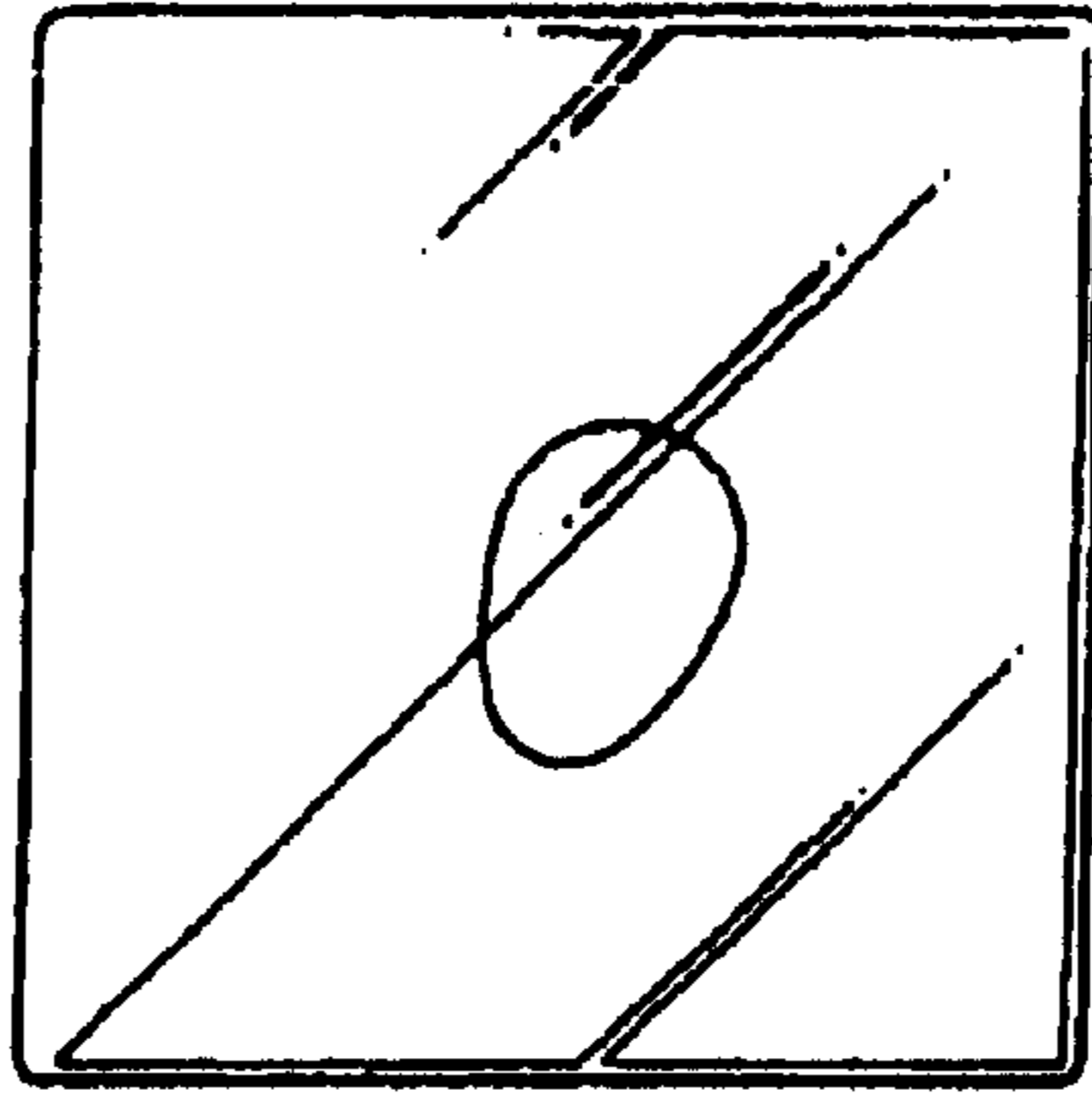


FIG. 4

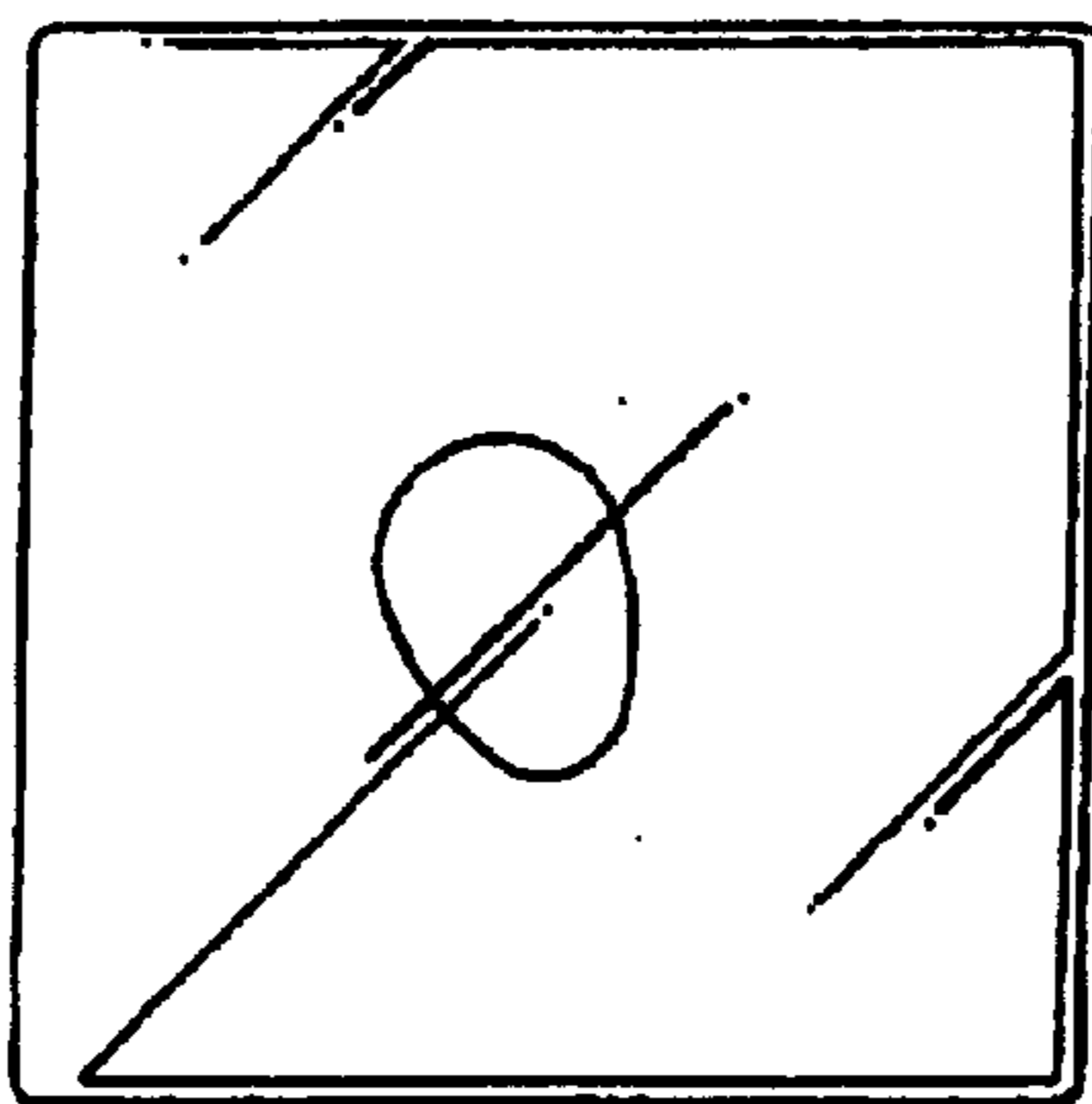


FIG. 5

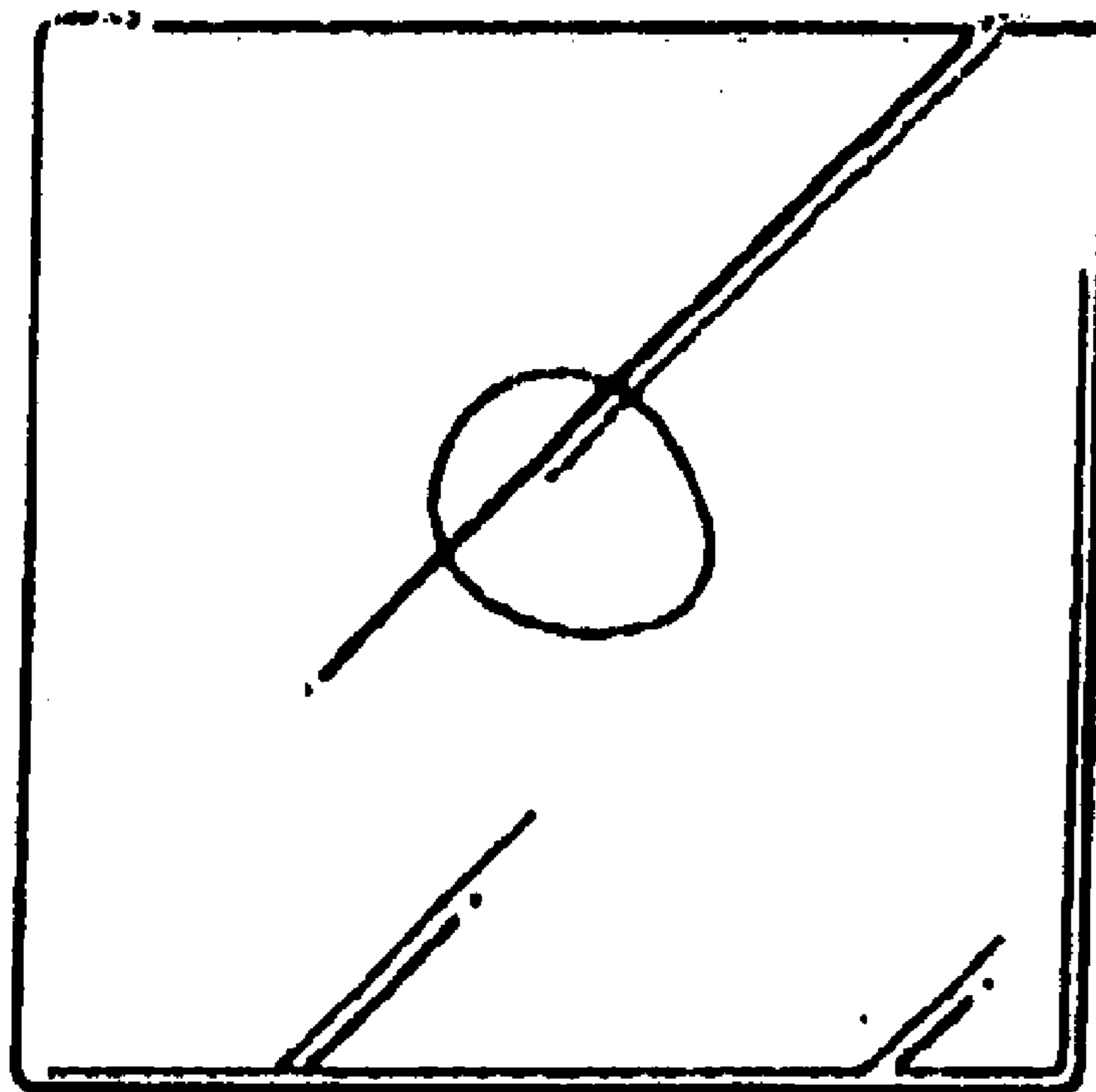


FIG. 6

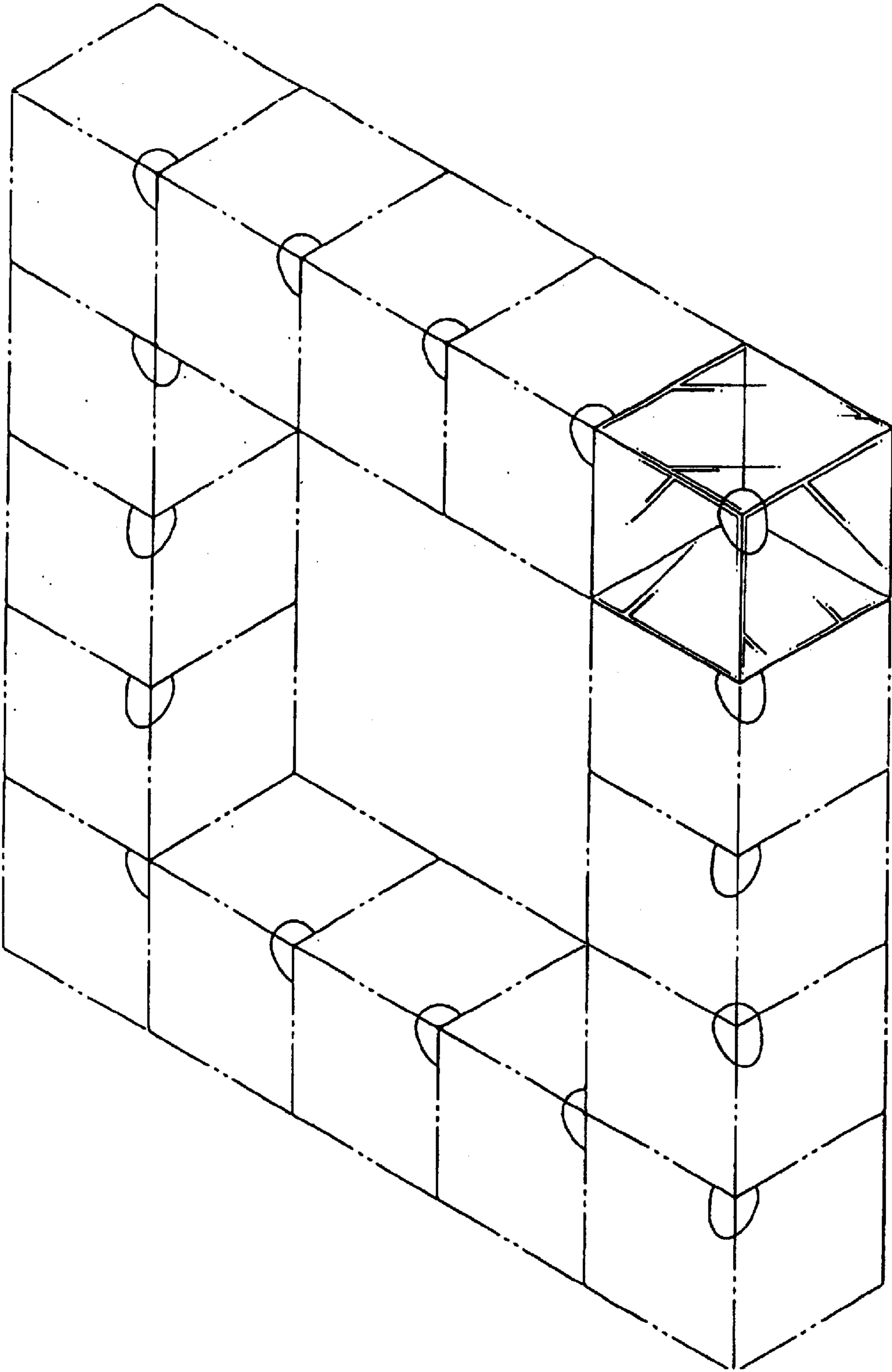


FIG. 7

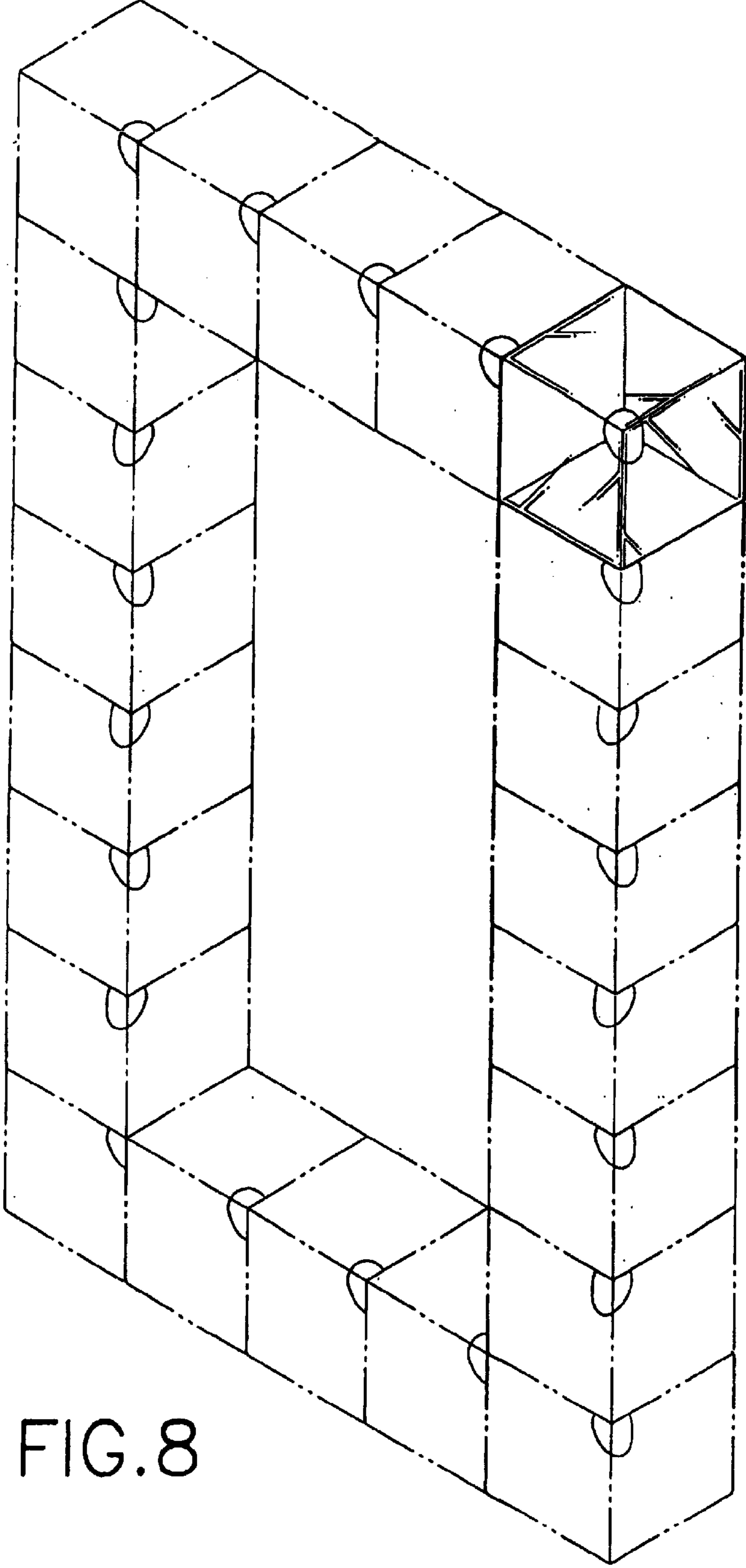


FIG. 8